



US00D846339S

(12) **United States Design Patent** (10) **Patent No.:** **US D846,339 S**
Smith (45) **Date of Patent:** **** Apr. 23, 2019**

(54) **BLENDER**
(71) Applicant: **SharkNinja Operating LLC**, Newton, MA (US)
(72) Inventor: **Cory Smith**, Auburndale, MA (US)
(73) Assignee: **SHARKNINJA OPERATING LLC**, Needham, MA (US)
(**) Term: **15 Years**

D705,010 S * 5/2014 Coakley D7/412
D705,606 S * 5/2014 Coakley D7/376
D731,234 S * 6/2015 Weaden D7/376
D766,649 S * 9/2016 Suzuki D7/376
D769,061 S * 10/2016 Diderotto D7/376

(Continued)

FOREIGN PATENT DOCUMENTS

JP 1491535 S 3/2014
JP 1491537 S 3/2014
JP 1536738 S 11/2015

(21) Appl. No.: **29/611,682**

(22) Filed: **Jul. 24, 2017**

(51) **LOC (11) Cl.** **31-00**

(52) **U.S. Cl.**
USPC **D7/378; D7/376; D7/386; D7/412; D7/413**

(58) **Field of Classification Search**
USPC D7/372, 376-386, 412-413, 602, 629, D7/665-666, 669, 679, 693-694
CPC A21C 1/02; A21C 1/04; A23N 1/00; A23N 1/02; A47J 43/04; A47J 43/25; A47J 43/27; A47J 43/042; A47J 43/044; A47J 43/046; A47J 43/075; A47J 43/0722; A47J 43/0727; B01F 3/00; B01F 3/0807; B01F 3/0853; B01F 7/162; B01F 13/0059; B01F 13/0064; B02C 1/08; B02C 2/04; B02C 4/42; B02C 4/142; B02C 4/143; B02C 4/423; B02C 13/1835; B28C 5/10; B28C 5/12; B28C 5/14; B28C 5/16

See application file for complete search history.

(56) **References Cited**

U.S. PATENT DOCUMENTS

D660,642 S * 5/2012 Boozer D7/376
D660,643 S * 5/2012 Boozer D7/376
D670,532 S * 11/2012 Boozer D7/376
D702,078 S * 4/2014 Coakley D7/376

OTHER PUBLICATIONS

JP Notice of Allowance, Japanese Design Application No. 2018-1275, dated Sep. 28, 2018; pp. 1-6.

Primary Examiner — Ricky Pham

(74) *Attorney, Agent, or Firm* — Cantor Colburn LLP

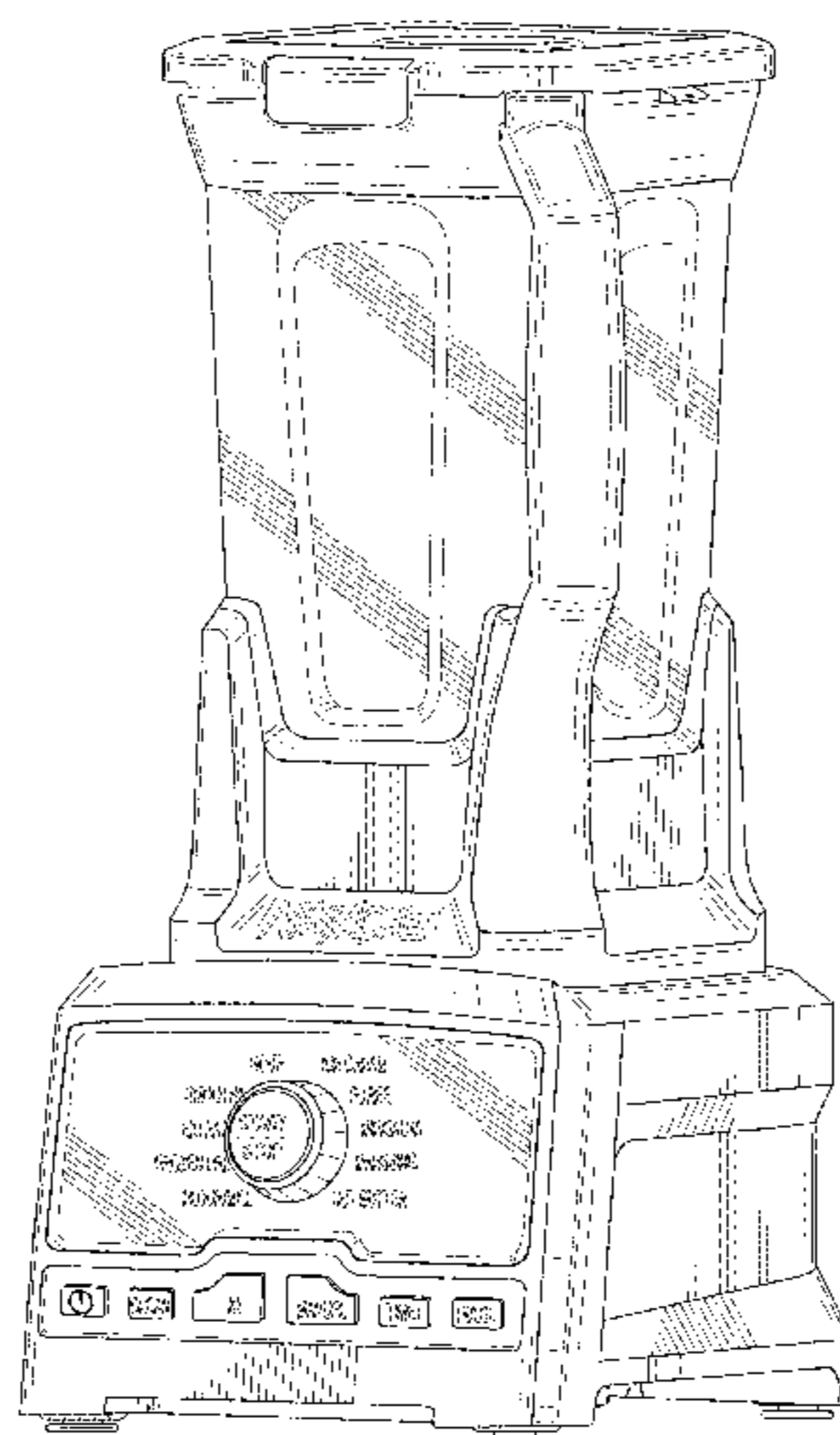
(57) **CLAIM**

The ornamental design for blender, as shown and described.

DESCRIPTION

FIG. 1 is a perspective view of a blender, showing my new design in a first embodiment;
FIG. 2 is a front view of the embodiment shown in FIG. 1;
FIG. 3 is a rear view of the embodiment shown in FIG. 1;
FIG. 4 is a side view of the embodiment shown in FIG. 1;
FIG. 5 is another side view of the embodiment shown in FIG. 1;
FIG. 6 is a top view of the embodiment shown in FIG. 1; and,
FIG. 7 is a bottom view of the embodiment shown in FIG. 1.
The broken lines in the figures are for environmental purposes only and form no part of the claimed design.
The oblique line shading represents transparent, translucent or reflective surfaces.

1 Claim, 7 Drawing Sheets



(56)

References Cited

U.S. PATENT DOCUMENTS

D784,761 S *	4/2017	Tu	D7/376
D811,806 S *	3/2018	Bock	D7/386
D817,082 S *	5/2018	Lee	D7/386
D825,984 S *	8/2018	Gee, II	D7/386

* cited by examiner

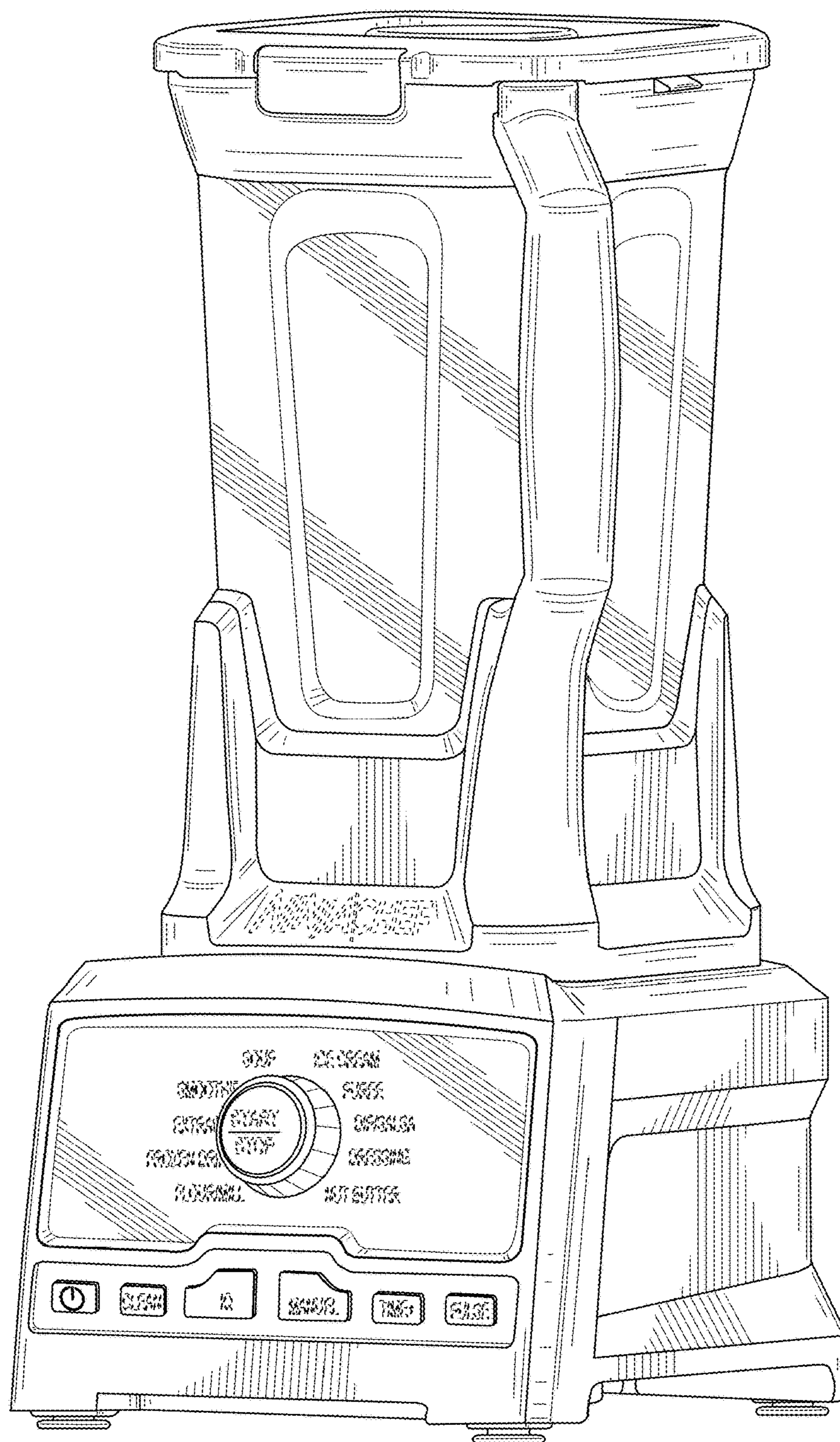


FIG. 1

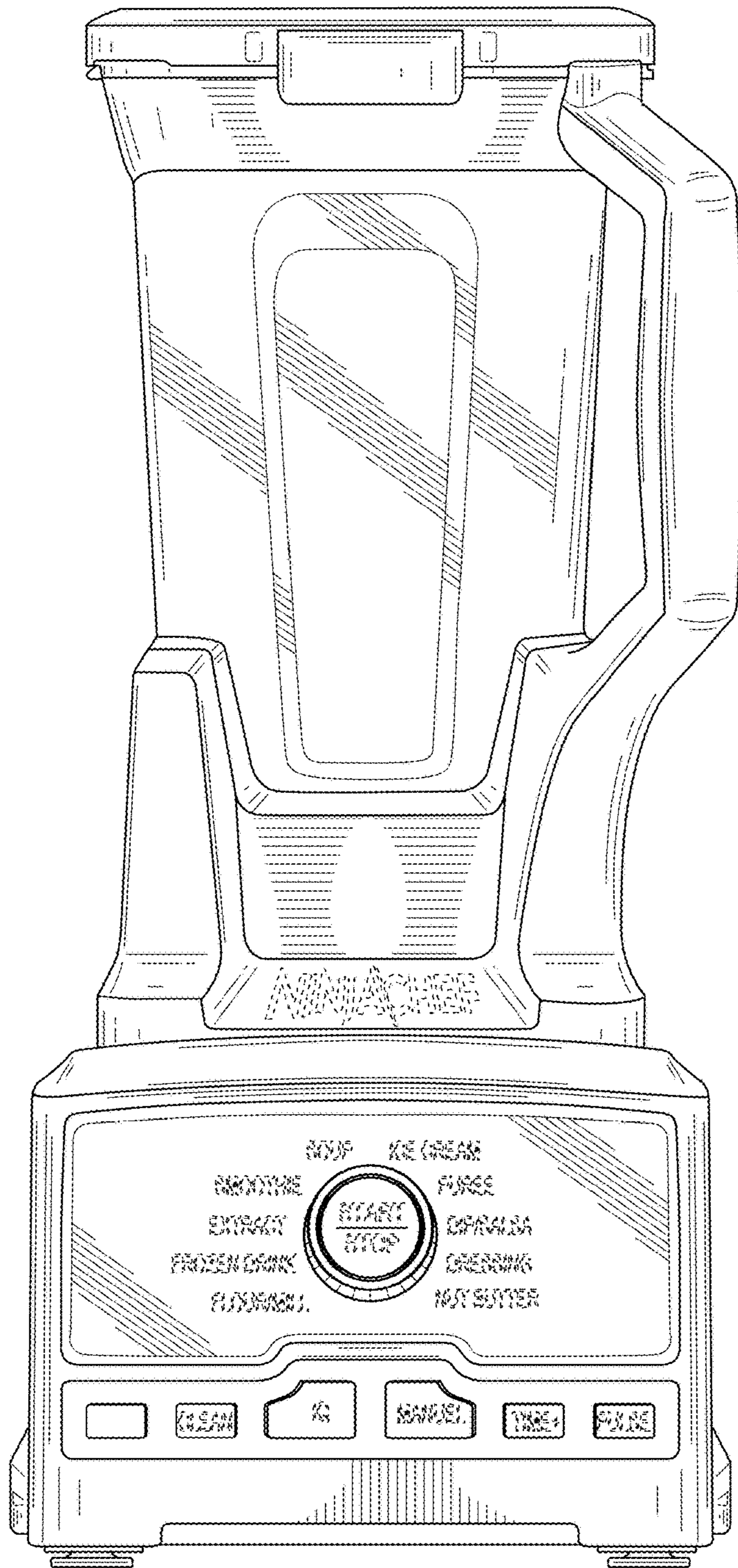


FIG. 2

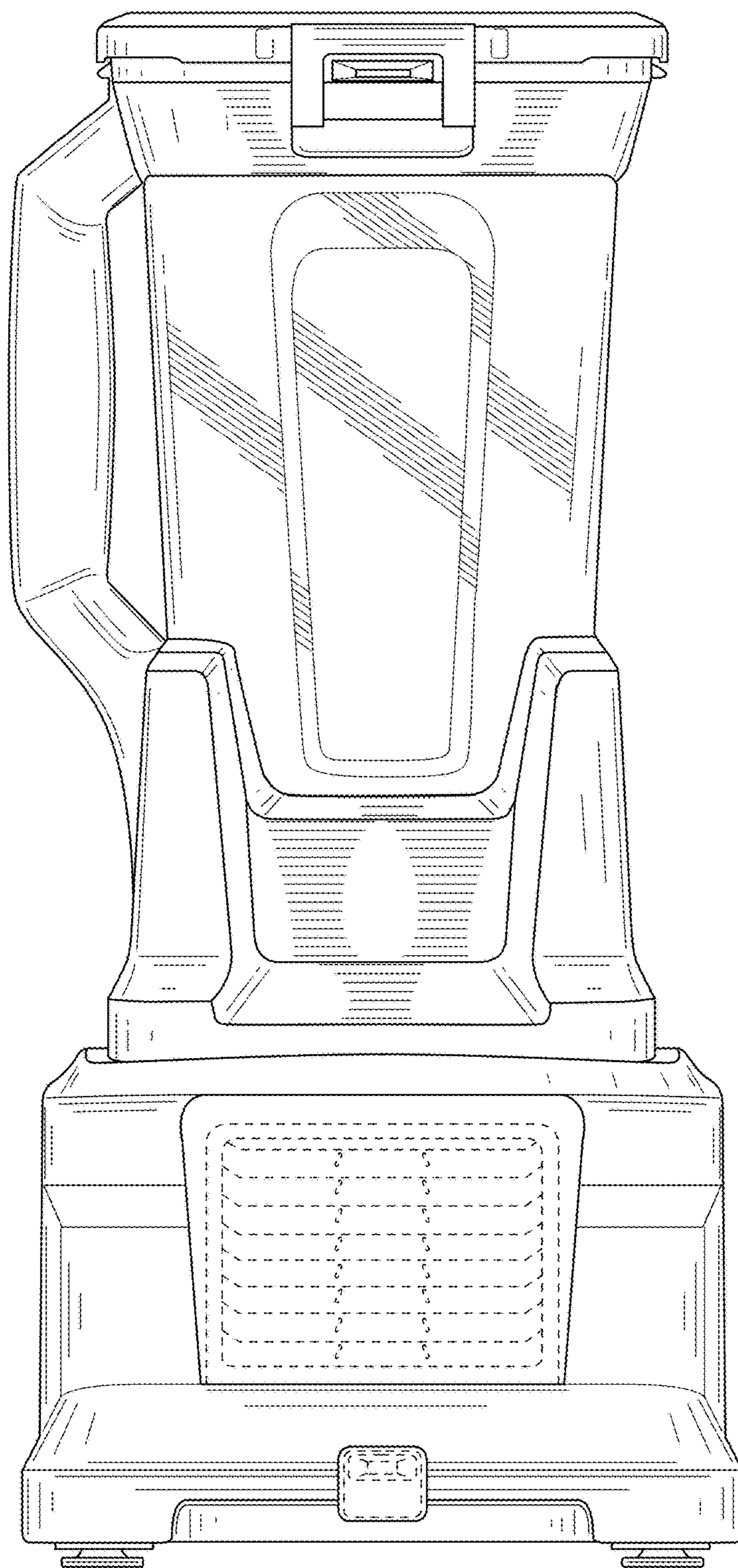


FIG. 3

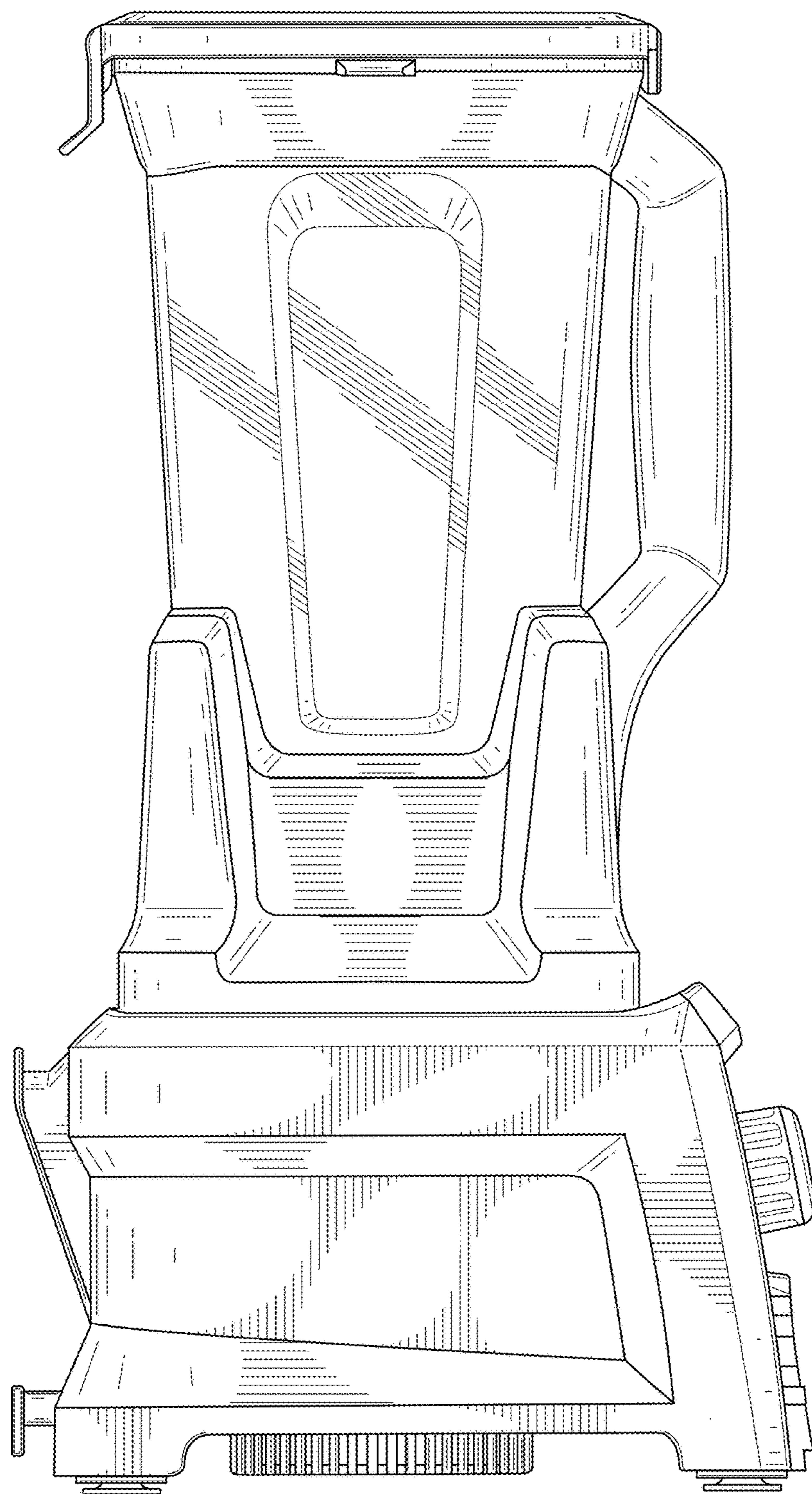


FIG. 4

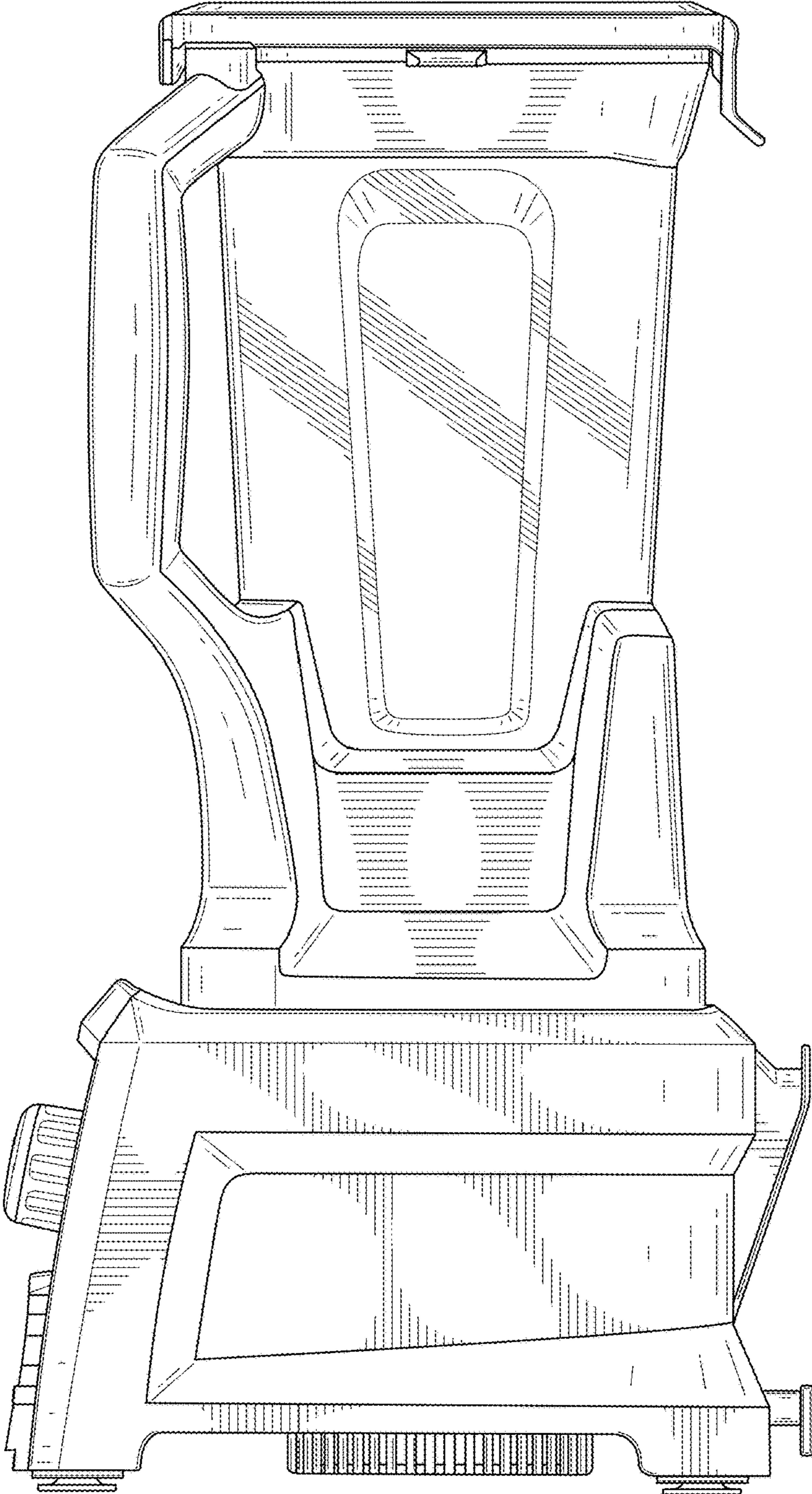


FIG. 5

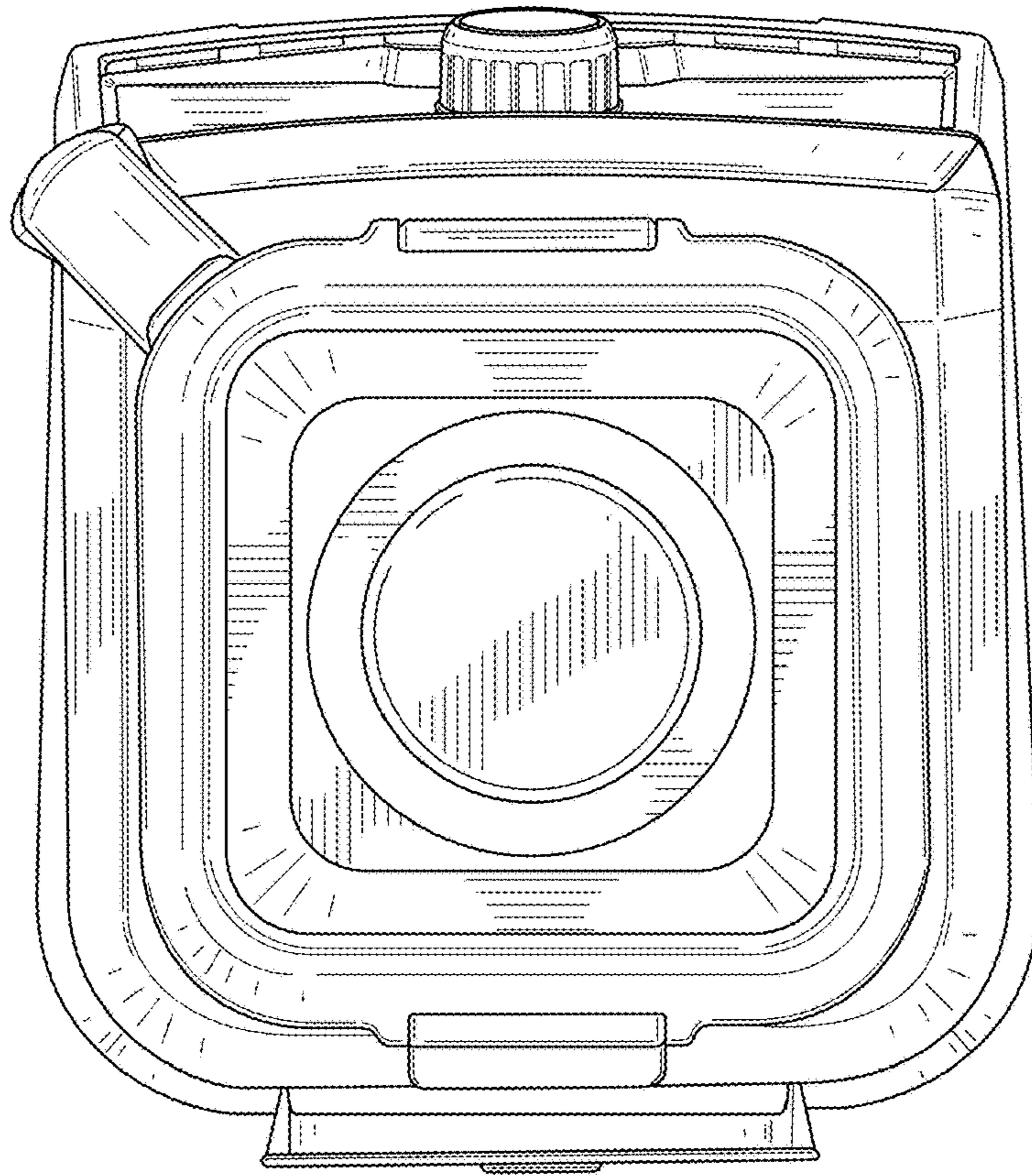


FIG. 6

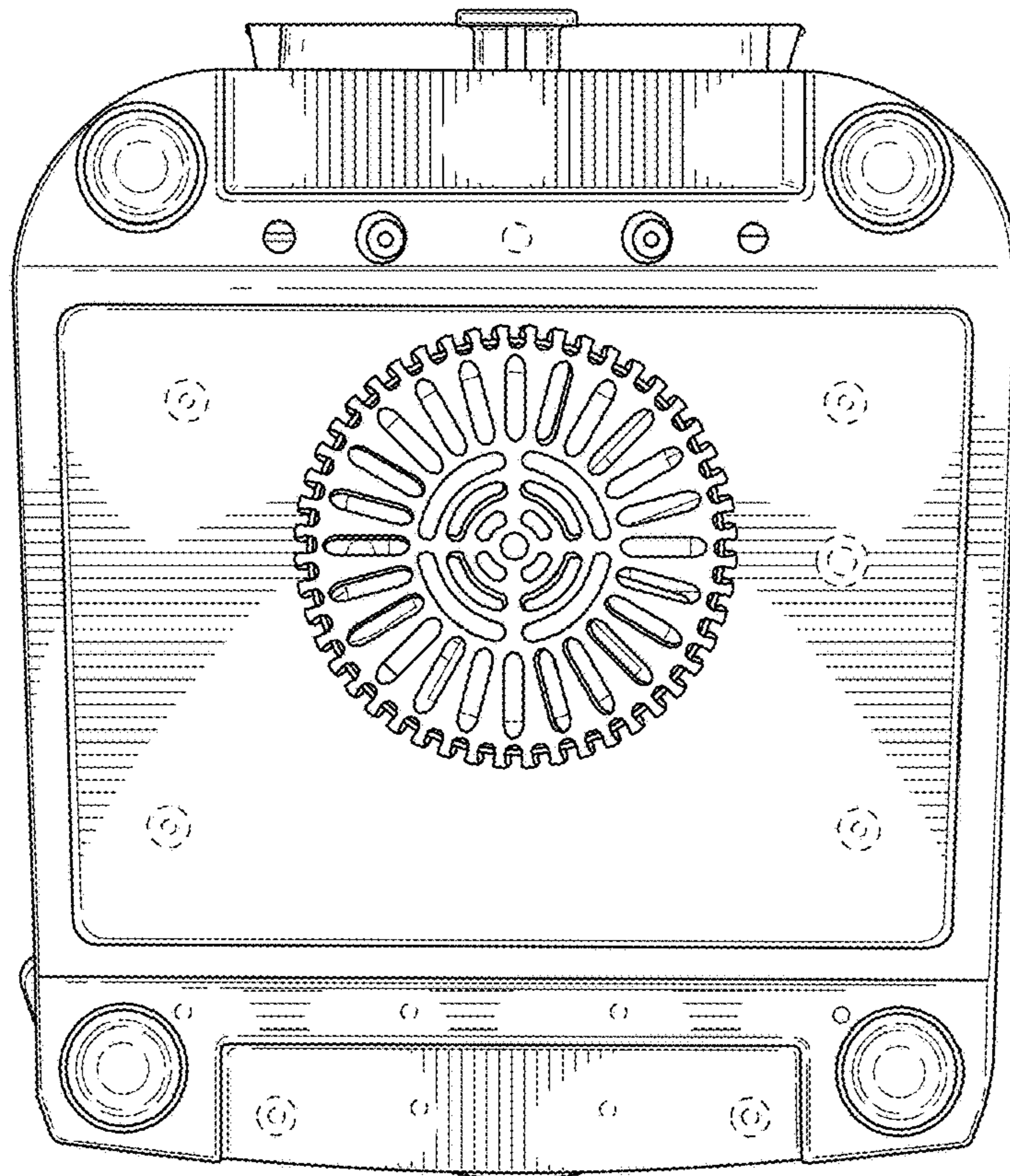


FIG. 7