



US00D846338S

(12) **United States Design Patent**
Smith et al.

(10) **Patent No.:** **US D846,338 S**
(45) **Date of Patent:** **** Apr. 23, 2019**

(54) **BLENDER**

FOREIGN PATENT DOCUMENTS

(71) Applicant: **SharkNinja Operating LLC**, Newton, MA (US)

JP 1523840 S 5/2015
JP 1528172 S 7/2015

(Continued)

(72) Inventors: **Cory Smith**, Auburndale, MA (US);
Martin Edward Miller, Essex (GB)

OTHER PUBLICATIONS

(73) Assignee: **SHARKNINJA OPERATING LLC**, Needham, MA (US)

Japanese Design Application No. 2018-1271; Notice of Allowance dated Sep. 28, 2018; pp. 1-6.

(**) Term: **15 Years**

(Continued)

(21) Appl. No.: **29/611,680**

Primary Examiner — Ricky Pham

(22) Filed: **Jul. 24, 2017**

(74) *Attorney, Agent, or Firm* — Cantor Colburn LLP

(51) **LOC (11) Cl.** **31-00**

(52) **U.S. Cl.**

USPC **D7/378**; D7/376; D7/386; D7/412;
D7/413

(57) **CLAIM**

(58) **Field of Classification Search**

USPC D7/372, 376–386, 412–413, 602, 629,
D7/665–666, 669, 679, 693–694

CPC A21C 1/02; A21C 1/04; A23N 1/00; A23N
1/02; A47J 43/04; A47J 43/25; A47J
43/27; A47J 43/042; A47J 43/044; A47J
43/046; A47J 43/075; A47J 43/0722;
A47J 43/0727; B01F 3/00; B01F 3/0807;
B01F 3/0853; B01F 7/162; B01F
13/0059; B01F 13/0064; B02C 1/08;
B02C 2/04; B02C 4/42; B02C 4/142;
B02C 4/143; B02C 4/423; B02C 13/1835;
B28C 5/10; B28C 5/12; B28C 5/14;
B28C 5/16

The ornamental design for blender, as shown and described.

See application file for complete search history.

DESCRIPTION

(56) **References Cited**

U.S. PATENT DOCUMENTS

D242,208 S * 11/1976 Madl D7/386
D705,606 S * 5/2014 Coakley D7/376
D733,488 S * 7/2015 Tu B01F 7/162
D755,003 S * 5/2016 Palermo D7/376

FIG. 1 is a perspective view of a blender, showing our new design in a first embodiment;

FIG. 2 is a front view of the embodiment shown in FIG. 1;

FIG. 3 is a rear view of the embodiment shown in FIG. 1;

FIG. 4 is a side view of the embodiment shown in FIG. 1;

FIG. 5 is another side view of the embodiment shown in FIG. 1;

FIG. 6 is a top view of the embodiment shown in FIG. 1; and,

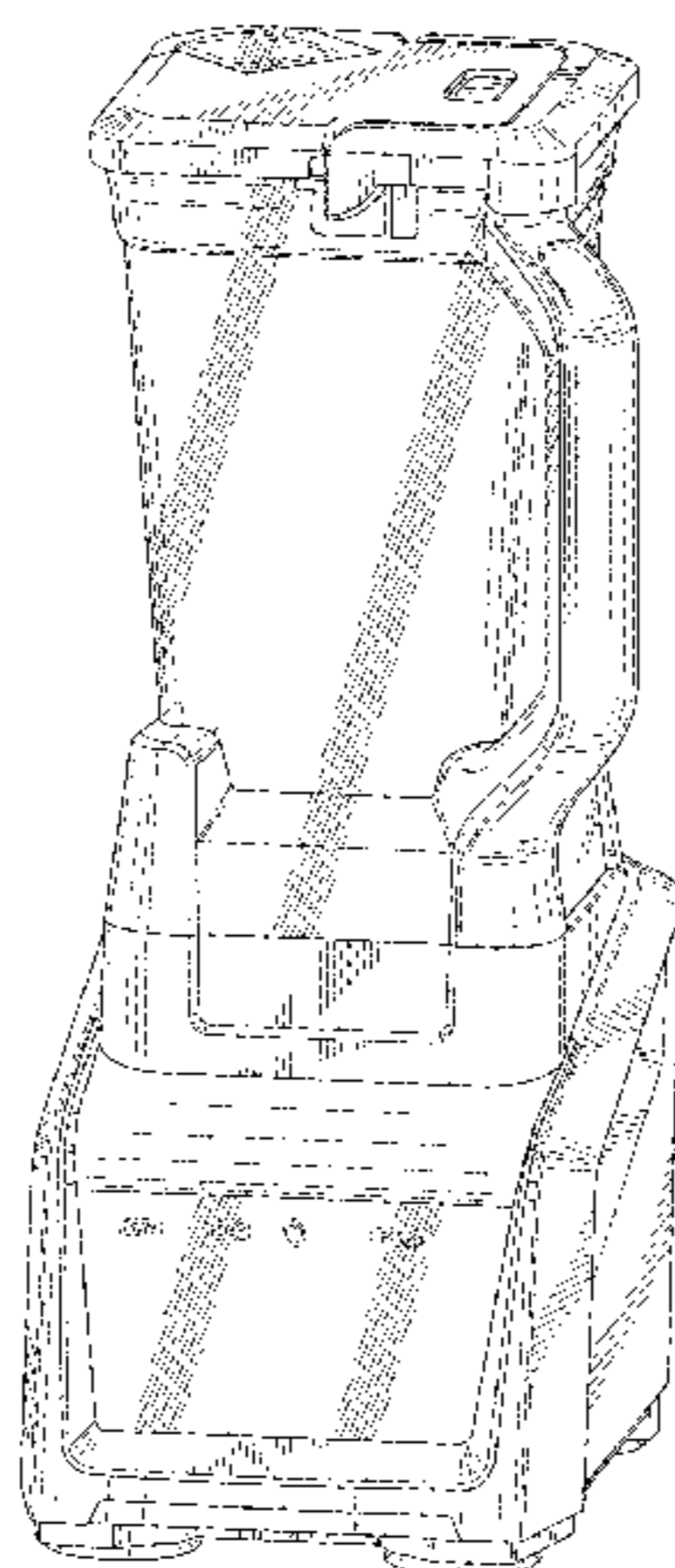
FIG. 7 is a bottom view of the embodiment shown in FIG. 1.

The broken lines in the figures are for environmental purposes only and form no part of the claimed design.

The oblique line shading represents transparent, translucent or reflective surfaces.

(Continued)

1 Claim, 7 Drawing Sheets



(56)

References Cited

U.S. PATENT DOCUMENTS

D771,999 S * 11/2016 Kettavong D7/376
D784,761 S * 4/2017 Tu D7/376
D788,520 S * 6/2017 Blaise D7/376
D789,735 S * 6/2017 Palermo D7/376
D793,153 S * 8/2017 Tu D7/376
D794,384 S * 8/2017 Lee D7/376
9,855,535 B2 * 1/2018 Arnett B01F 7/162
D809,333 S * 2/2018 Lee D7/386
D821,806 S * 7/2018 Coakley D7/386

FOREIGN PATENT DOCUMENTS

JP 1536738 S 11/2015
KR 3008171360001 9/2015
KR 3008659440007 7/2016
KR 3008659440008 7/2016

OTHER PUBLICATIONS

Japanese Design Application No. 2018-1273; Notice of Allowance dated Sep. 28, 2018; pp. 1-6.

Japanese Design Application No. 2018-1274; Notice of Allowance dated Sep. 28, 2018; pp. 1-6.

* cited by examiner

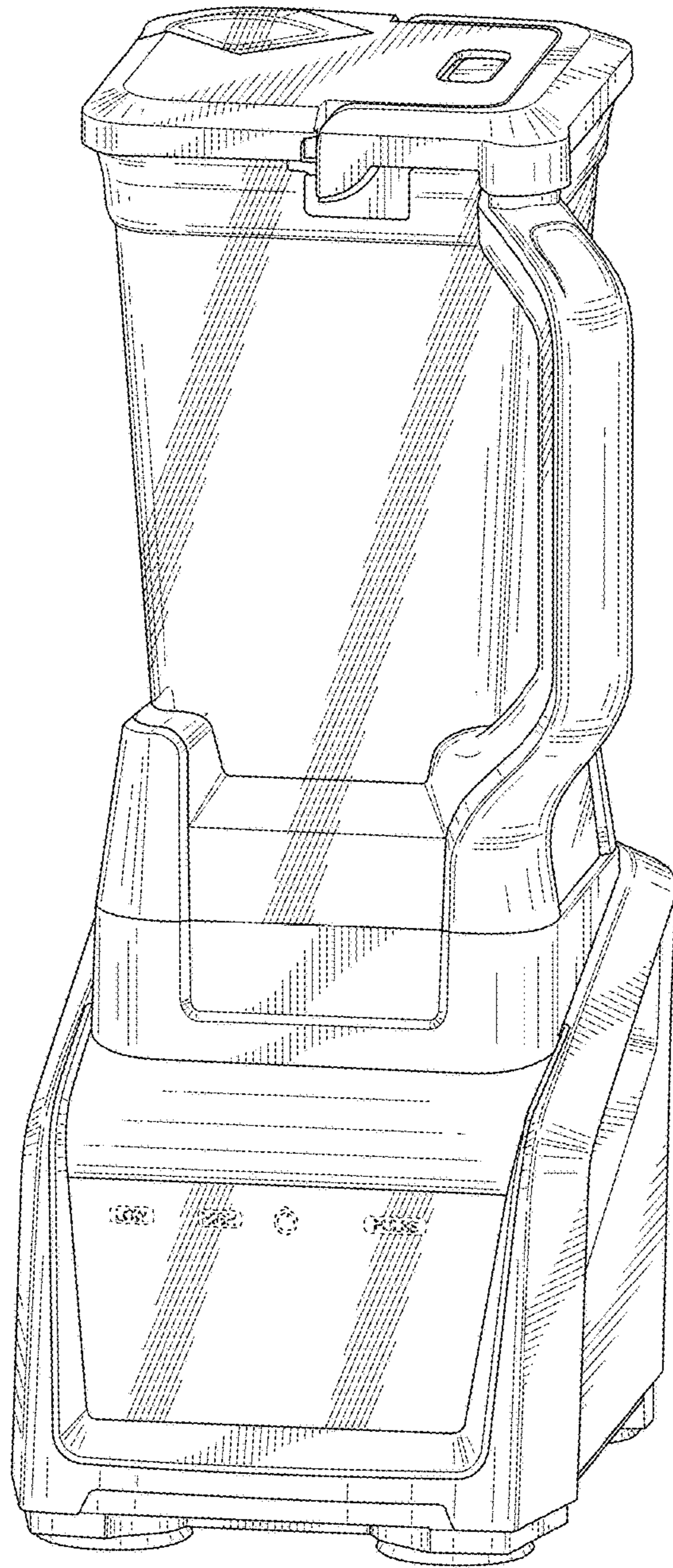


FIG. 1

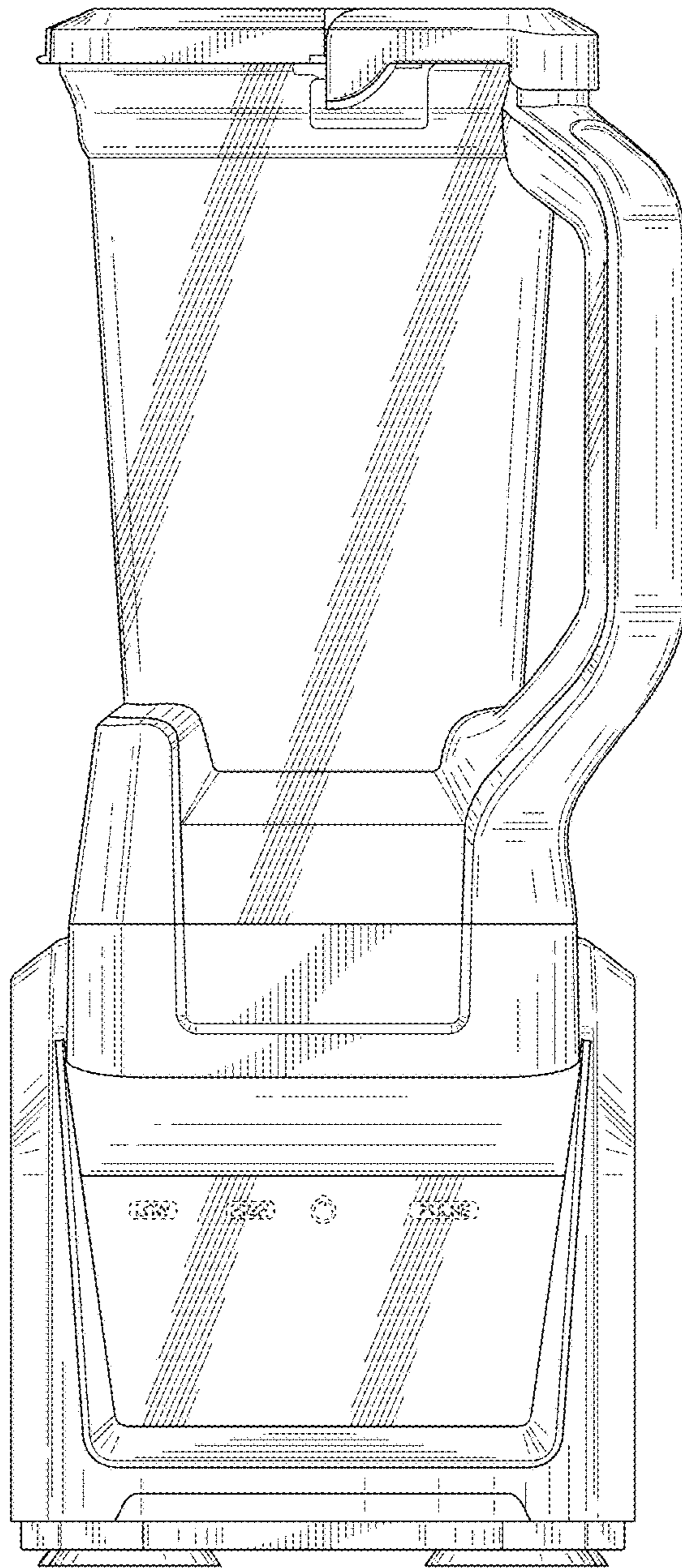


FIG. 2

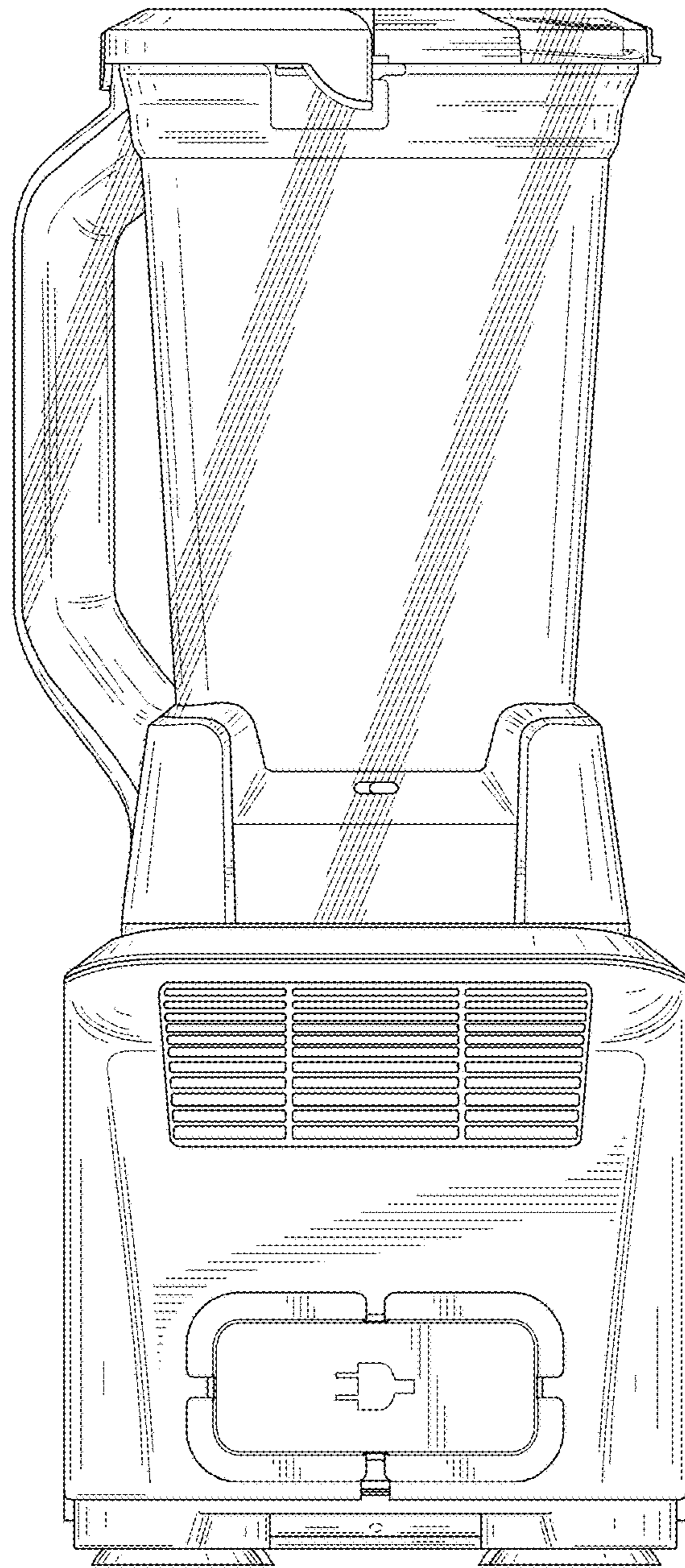


FIG. 3

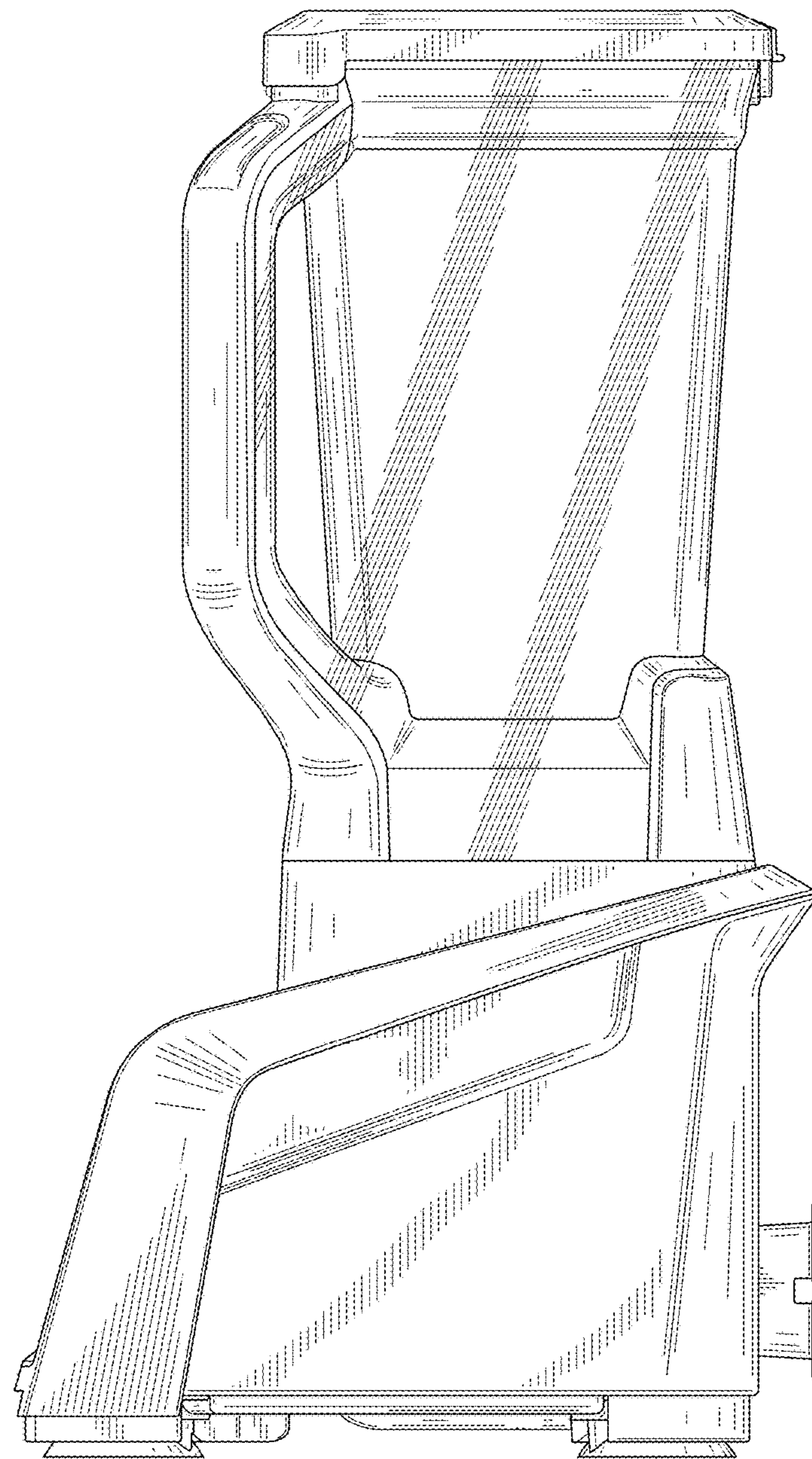


FIG. 4

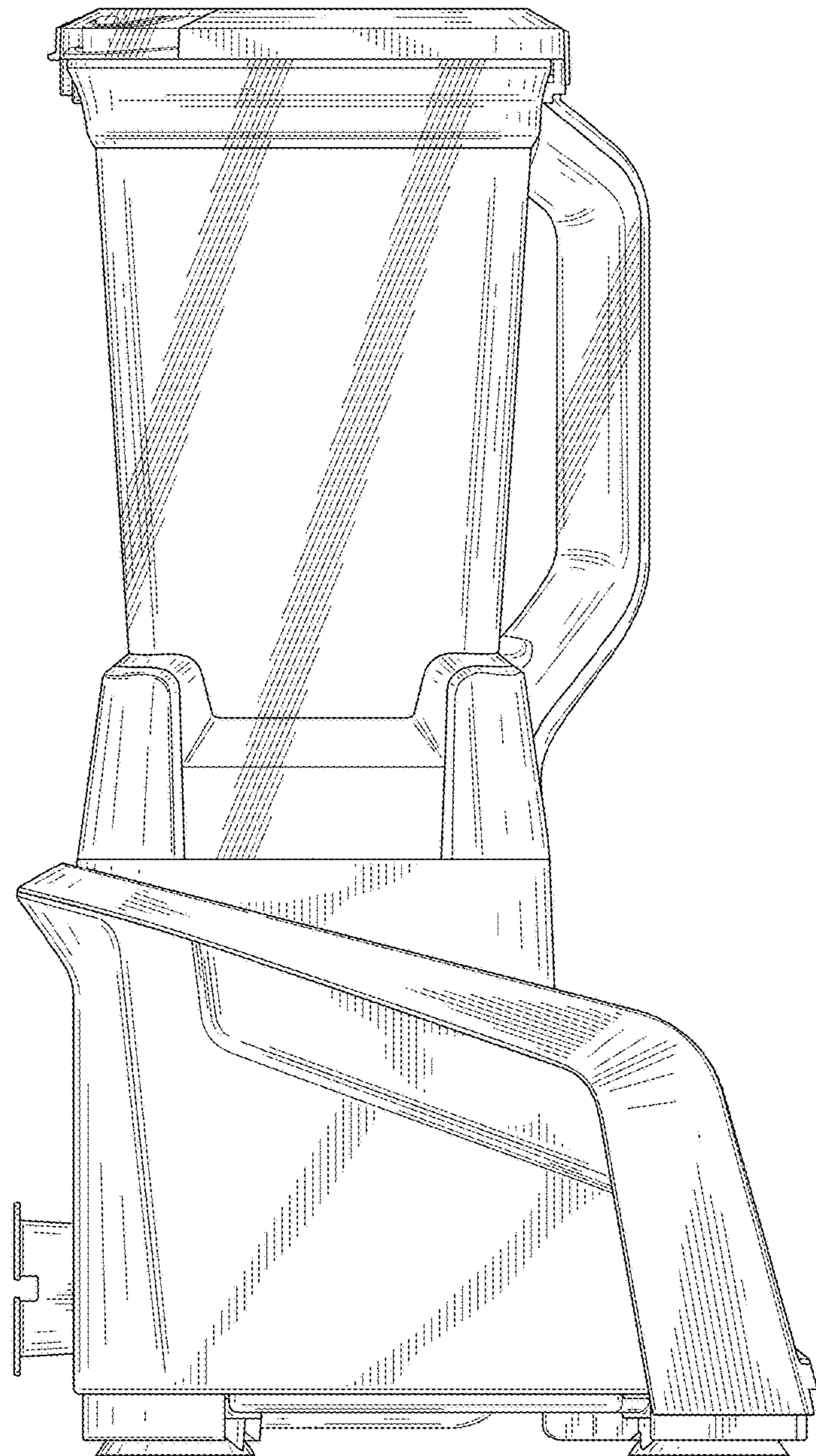


FIG. 5

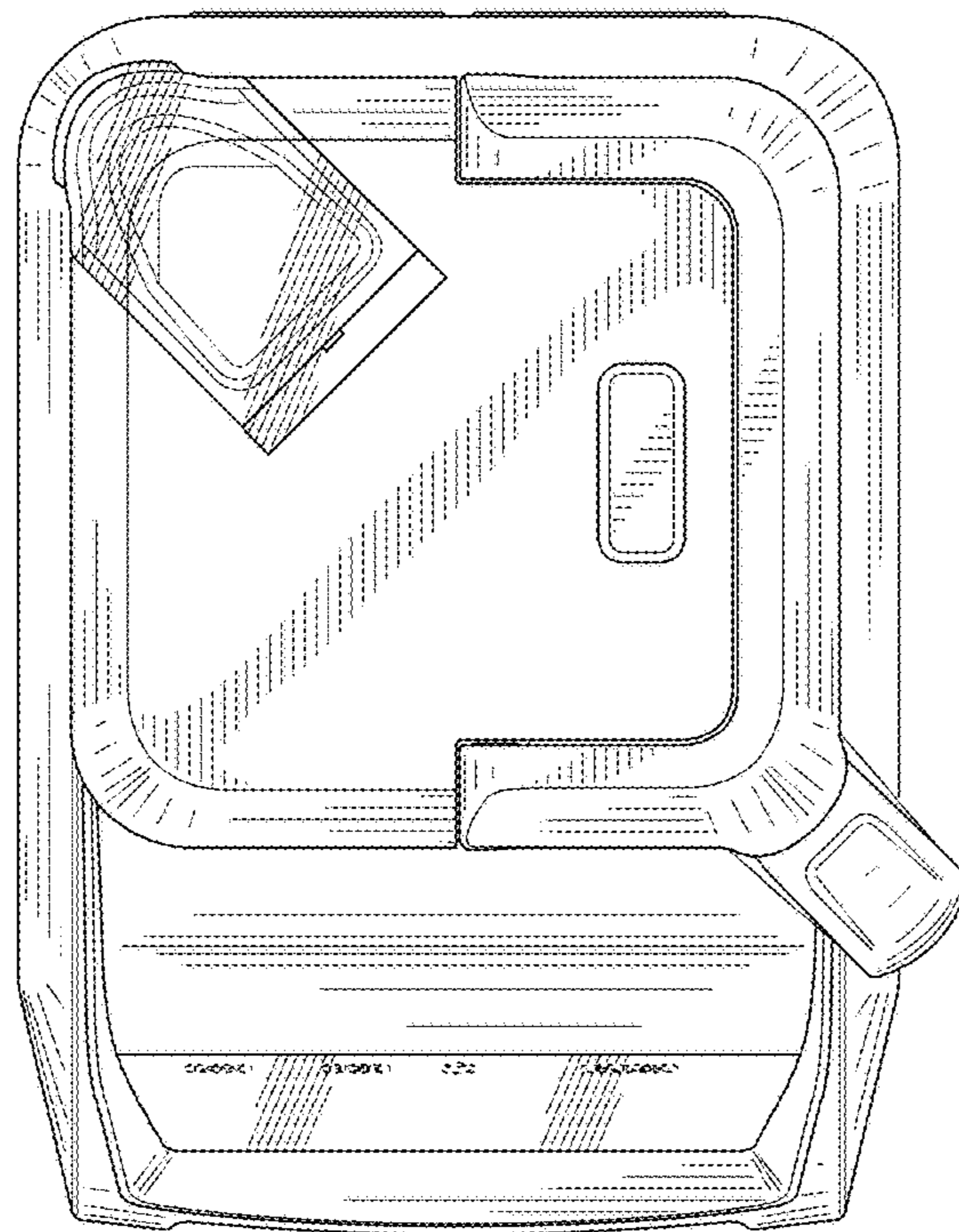


FIG. 6

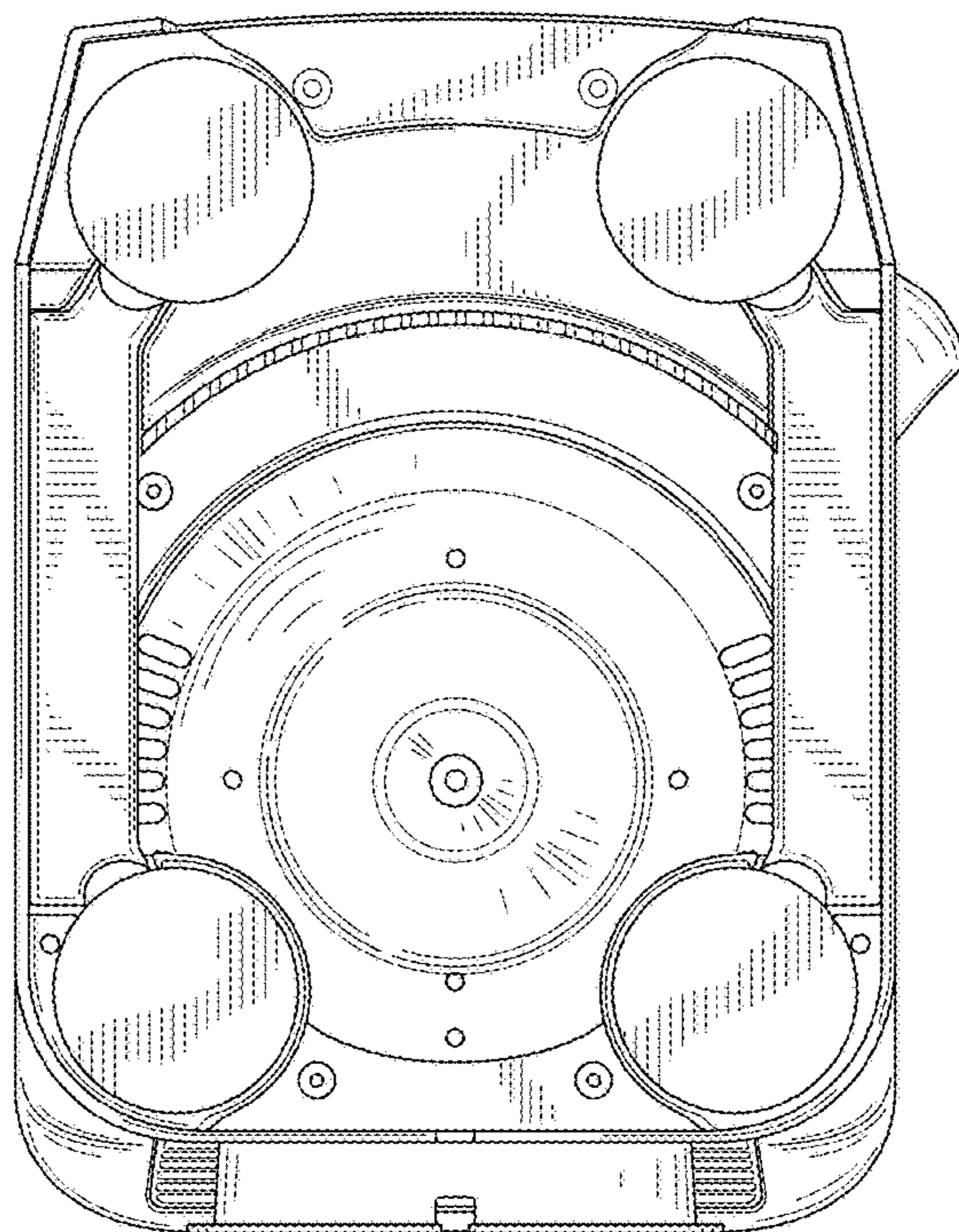


FIG. 7