



US00D846337S

(12) **United States Design Patent**  
**Duan et al.**

(10) **Patent No.:** **US D846,337 S**  
(45) **Date of Patent:** **\*\* Apr. 23, 2019**

(54) **BLENDER AND CANISTER SET**

**DESCRIPTION**

(71) Applicant: **Ningbo Borine Electric Appliance Co., Ltd.**, Ningbo, Zhejiang (CN)  
(72) Inventors: **Qiuming Duan**, Zhejiang (CN);  
**Shaoyong Zhang**, Zhejiang (CN)  
(73) Assignee: **Ningbo Borine Electric Appliance Co., Ltd.**, Ningbo (CN)

(\*\*) Term: **15 Years**

(21) Appl. No.: **29/608,293**

(22) Filed: **Jun. 20, 2017**

(30) **Foreign Application Priority Data**

May 31, 2017 (CN) ..... 2017 3 0213131

(51) **LOC (11) Cl.** ..... **31-00**

(52) **U.S. Cl.**  
USPC ..... **D7/378**

(58) **Field of Classification Search**  
USPC ..... D7/306-309, 368, 372-373, 376-386,  
D7/391, 397, 412-415, 507, 602, 607,  
D7/624.2, 629, 665-666, 669, 679, 688,  
D7/693-694

(Continued)

(56) **References Cited**

**U.S. PATENT DOCUMENTS**

D404,969 S \* 2/1999 Krenzler ..... D7/507  
D499,606 S \* 12/2004 Feil ..... D7/413

(Continued)

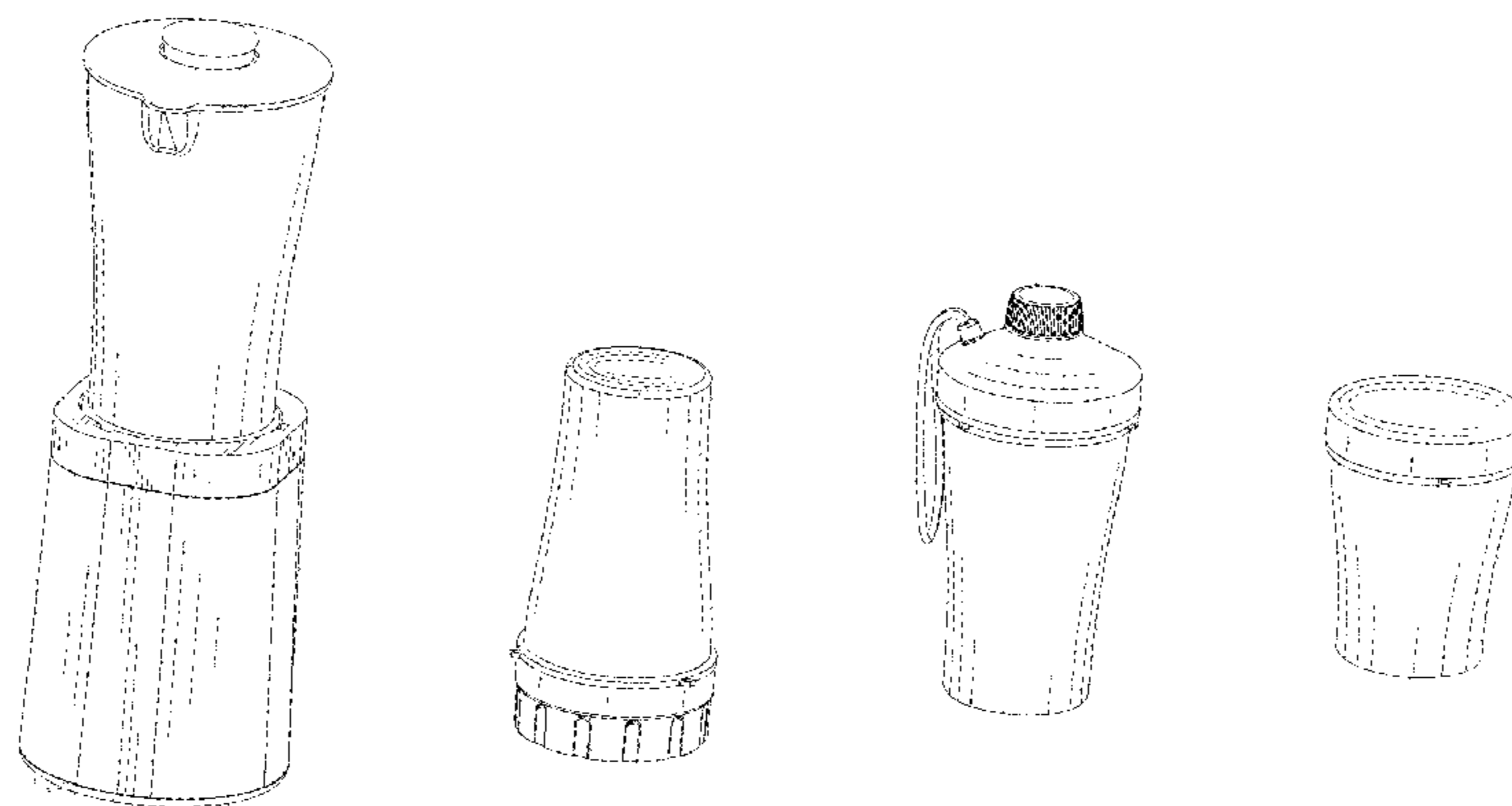
*Primary Examiner* — Barbara Fox  
*Assistant Examiner* — Messina L Smith

(57) **CLAIM**

The ornamental design for a blender and canister set, as shown and described.

FIG. 1 is a perspective view of a blender and canister set showing our new design;  
FIG. 2 is a front elevational view of the blender and first canister;  
FIG. 3 is a left side view of FIG. 2;  
FIG. 4 is a right side view of FIG. 2;  
FIG. 5 is a top plan view of FIG. 2;  
FIG. 6 is a bottom plan view of FIG. 2;  
FIG. 7 is a first perspective view of FIG. 2;  
FIG. 8 is a second perspective view of FIG. 2;  
FIG. 9 is a front elevational view of the second canister, shown separately to show aspects of the design that are not visible when combined with the blender.  
FIG. 10 is a left side view of FIG. 9;  
FIG. 11 is a right side view of FIG. 9;  
FIG. 12 is a top plan view of FIG. 9;  
FIG. 13 is a bottom plan view of FIG. 9;  
FIG. 14 is a first perspective view of FIG. 9;  
FIG. 15 is a second perspective view of FIG. 9;  
FIG. 16 is a front elevational view of the third canister, shown separately to show aspects of the design that are not visible when combined with the blender.  
FIG. 17 is a rear elevational view of FIG. 16;  
FIG. 18 is a left side view of FIG. 16;  
FIG. 19 is a top plan view of FIG. 16;  
FIG. 20 is a bottom plan view of FIG. 16;  
FIG. 21 is a first perspective view of FIG. 16;  
FIG. 22 is a second perspective view of FIG. 16;  
FIG. 23 is a front elevational view of the fourth canister, shown separately to show aspects of the design that are not visible when combined with the blender.  
FIG. 24 is a rear elevational view of FIG. 23;  
FIG. 25 is a right side view of FIG. 23;  
FIG. 26 is a top plan view of FIG. 23;  
FIG. 27 is a bottom plan view of FIG. 23;  
FIG. 28 is a first perspective view of FIG. 23; and,  
FIG. 29 is a second perspective view of FIG. 23.  
The broken lines in the drawings illustrate portions of the blender and canister set which form no part of the claimed design.

**1 Claim, 29 Drawing Sheets**



(58) **Field of Classification Search**

CPC .. A47J 43/04; A47J 43/25; A47J 43/27; A47J 43/042; A47J 43/044; A47J 43/046; A47J 43/075; A47J 43/0722; A47J 43/0727; A47J 42/40; A21C 1/02; A21C 1/04; A23G 9/045; A23N 1/00; A23N 1/02; B01F 3/00; B01F 3/0807; B01F 3/0853; B01F 13/0059; B01F 13/0064; B02C 1/08; B02C 2/04; B02C 4/42; B02C 4/142; B02C 4/143; B02C 4/423; B02C 13/1835; B28C 5/10; B28C 5/12; B28C 5/14; B28C 5/16

See application file for complete search history.

(56) **References Cited**

U.S. PATENT DOCUMENTS

D501,756 S \* 2/2005 Nikkhah ..... D7/413

D572,075 S \* 7/2008 Wong ..... D7/376  
 D686,883 S \* 7/2013 Arnold ..... D7/607  
 D737,629 S \* 9/2015 Sands ..... D7/376  
 9,211,028 B2 \* 12/2015 Cheung ..... A47J 43/07  
 D776,976 S \* 1/2017 Shin ..... D7/395  
 D780,528 S \* 3/2017 Salama ..... D7/608  
 2008/0037360 A1 \* 2/2008 McGill ..... A47J 43/06  
 366/130  
 2013/0126369 A1 \* 5/2013 Gamelli ..... B65D 47/122  
 206/217  
 2014/0233344 A1 \* 8/2014 Aliberti ..... A47J 43/27  
 366/130  
 2016/0345780 A1 \* 12/2016 Hatfield ..... A47J 43/27  
 2017/0035250 A1 \* 2/2017 Pan ..... A47J 43/0761  
 2017/0224168 A1 \* 8/2017 Lin ..... A47J 43/046  
 2017/0274332 A1 \* 9/2017 Gandhi ..... B01F 7/00141  
 2018/0028020 A1 \* 2/2018 Sapire ..... A47J 43/044

\* cited by examiner

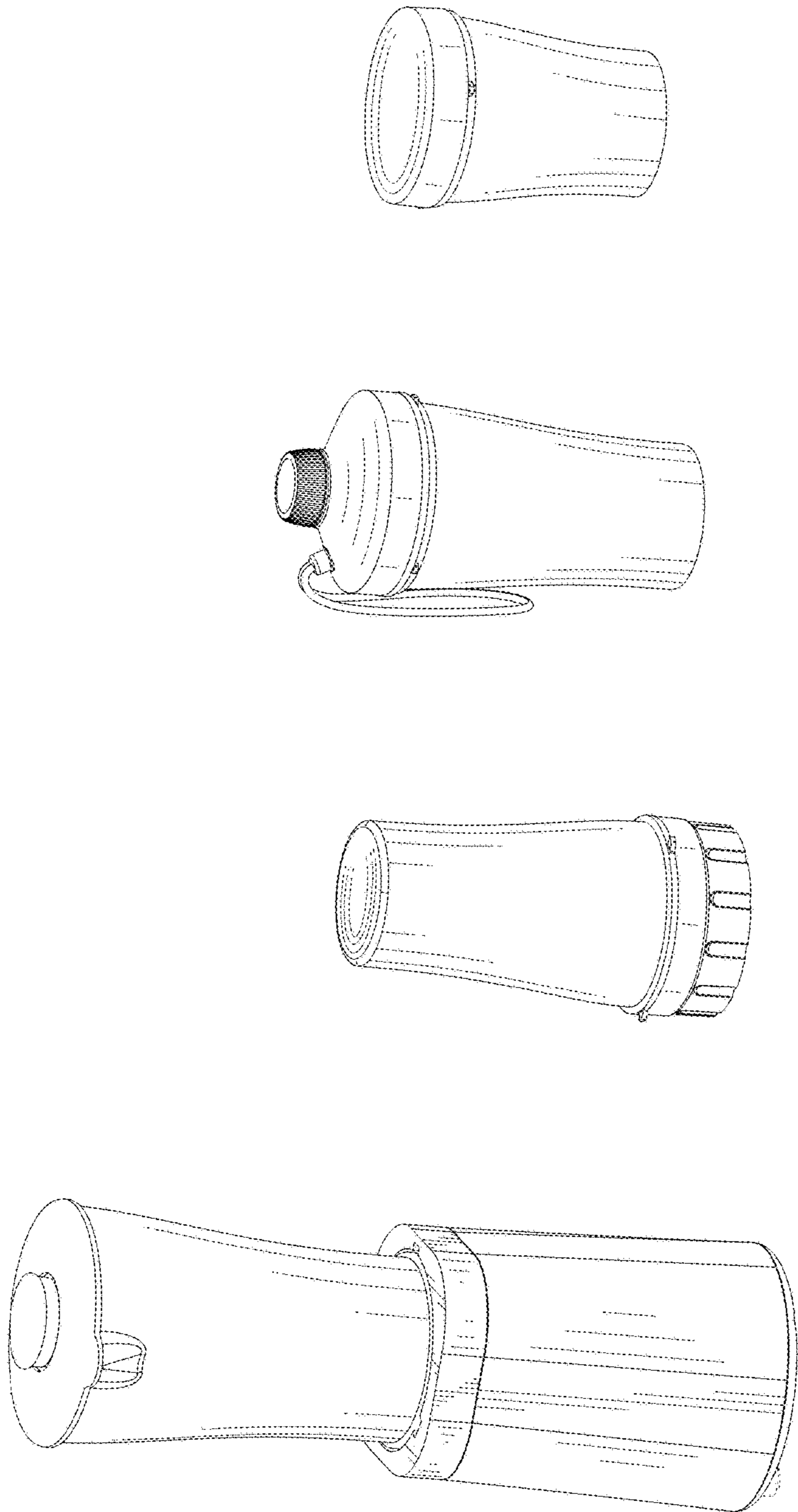


FIG. 1

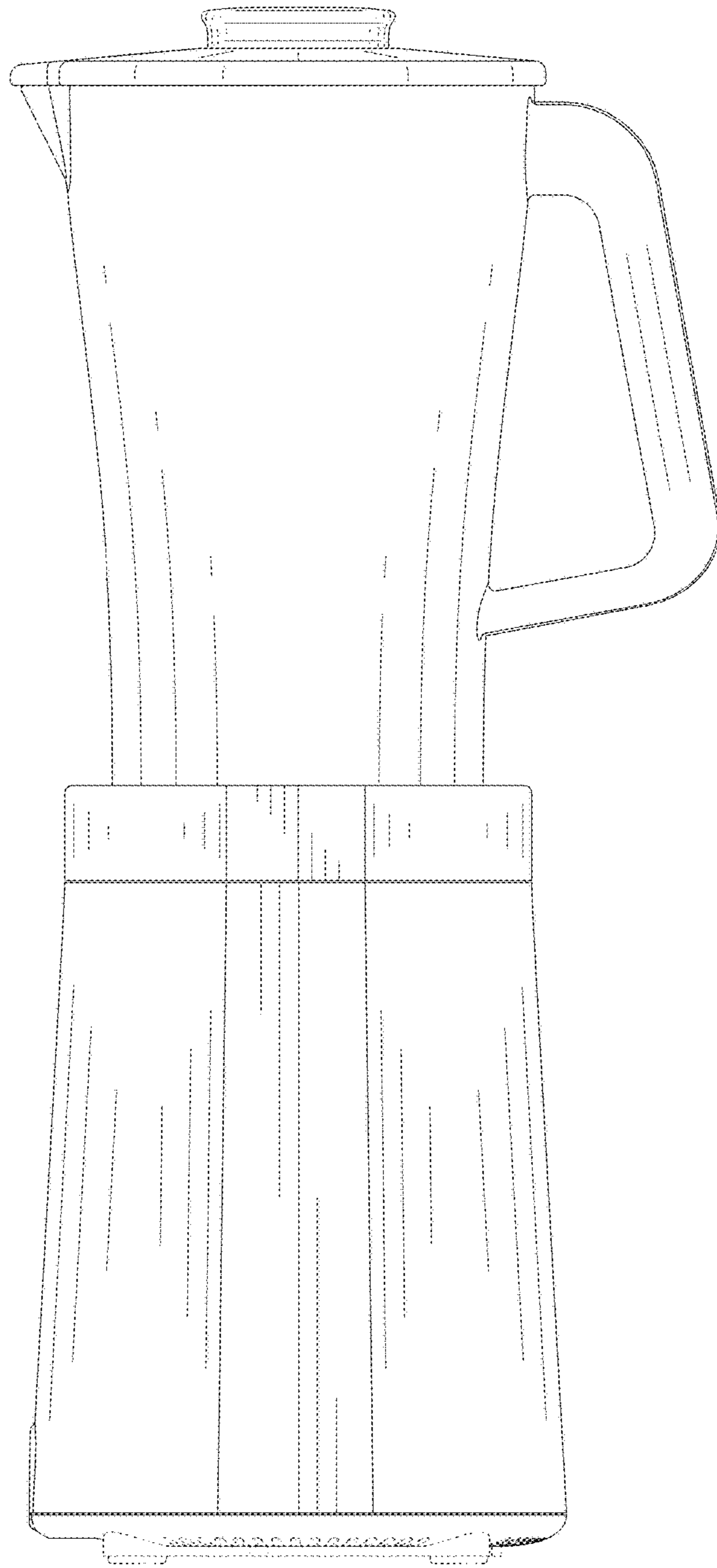


FIG. 2

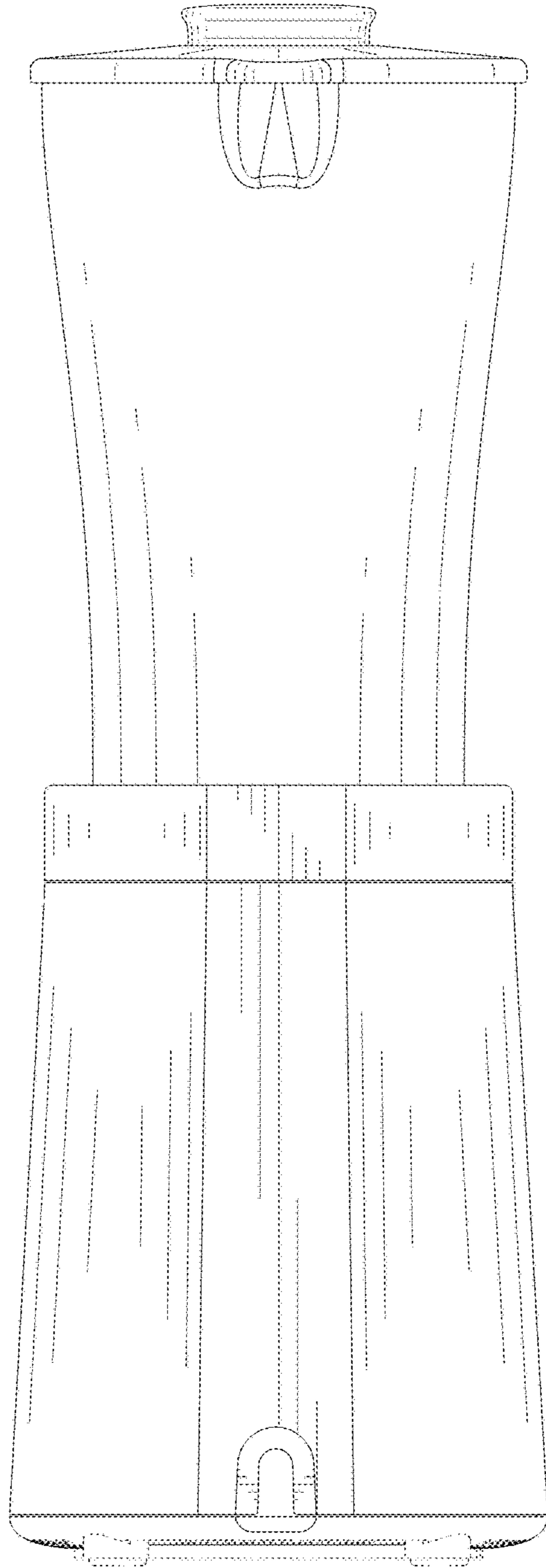


FIG. 3

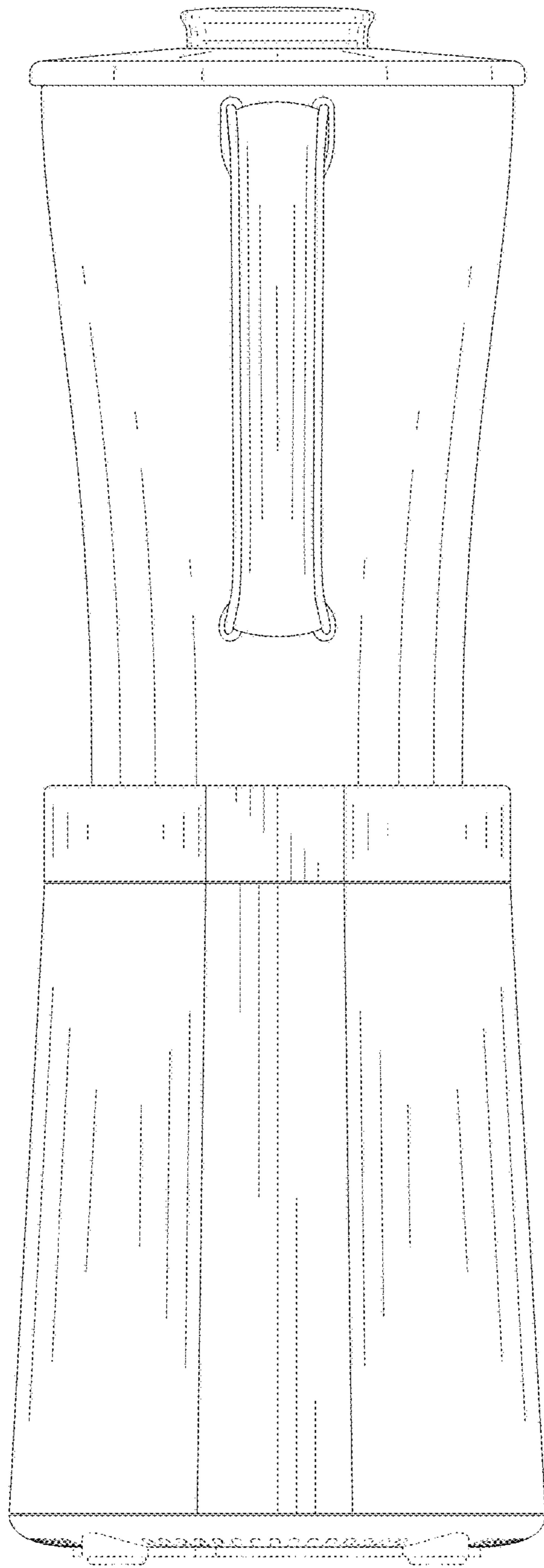


FIG. 4

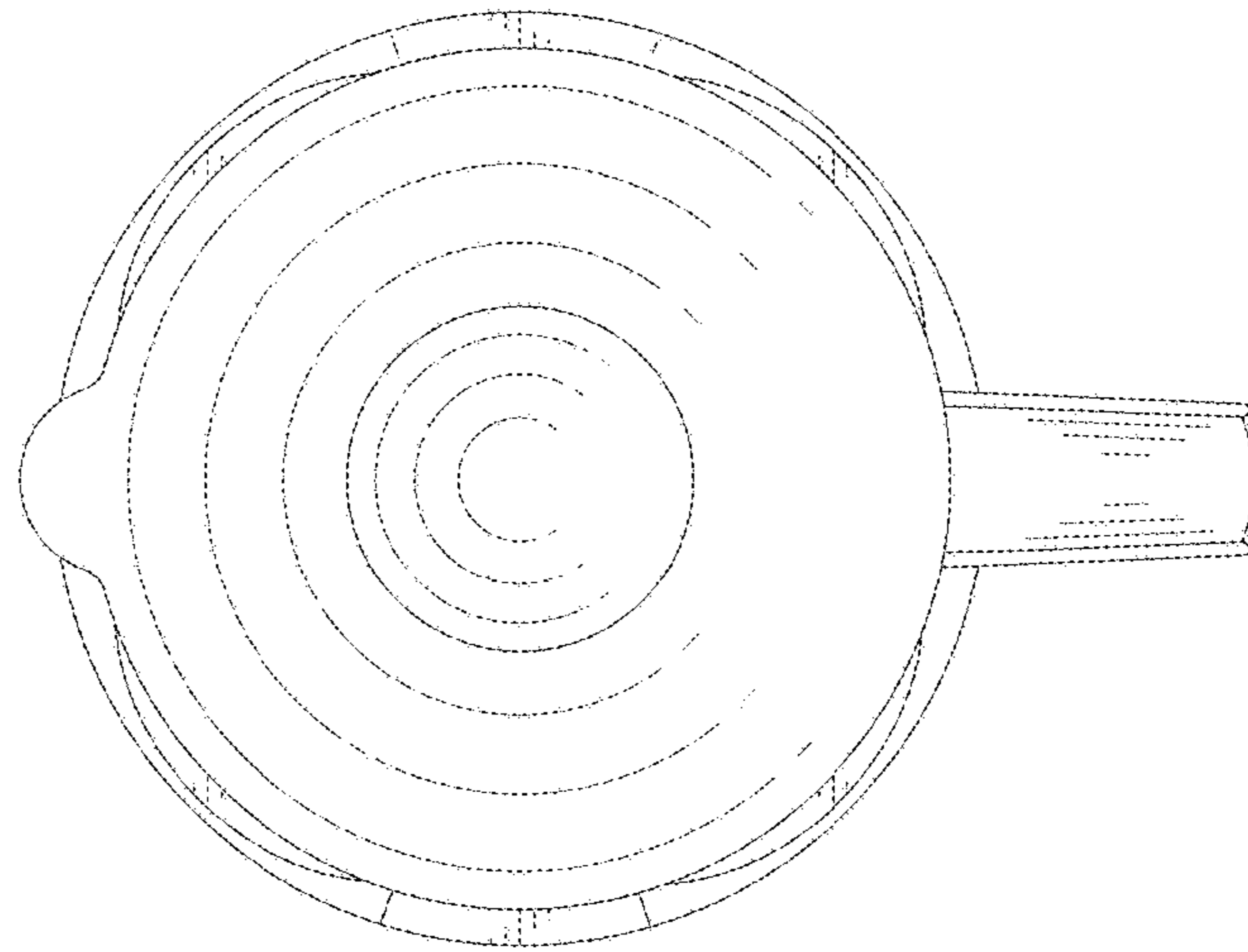


FIG. 5

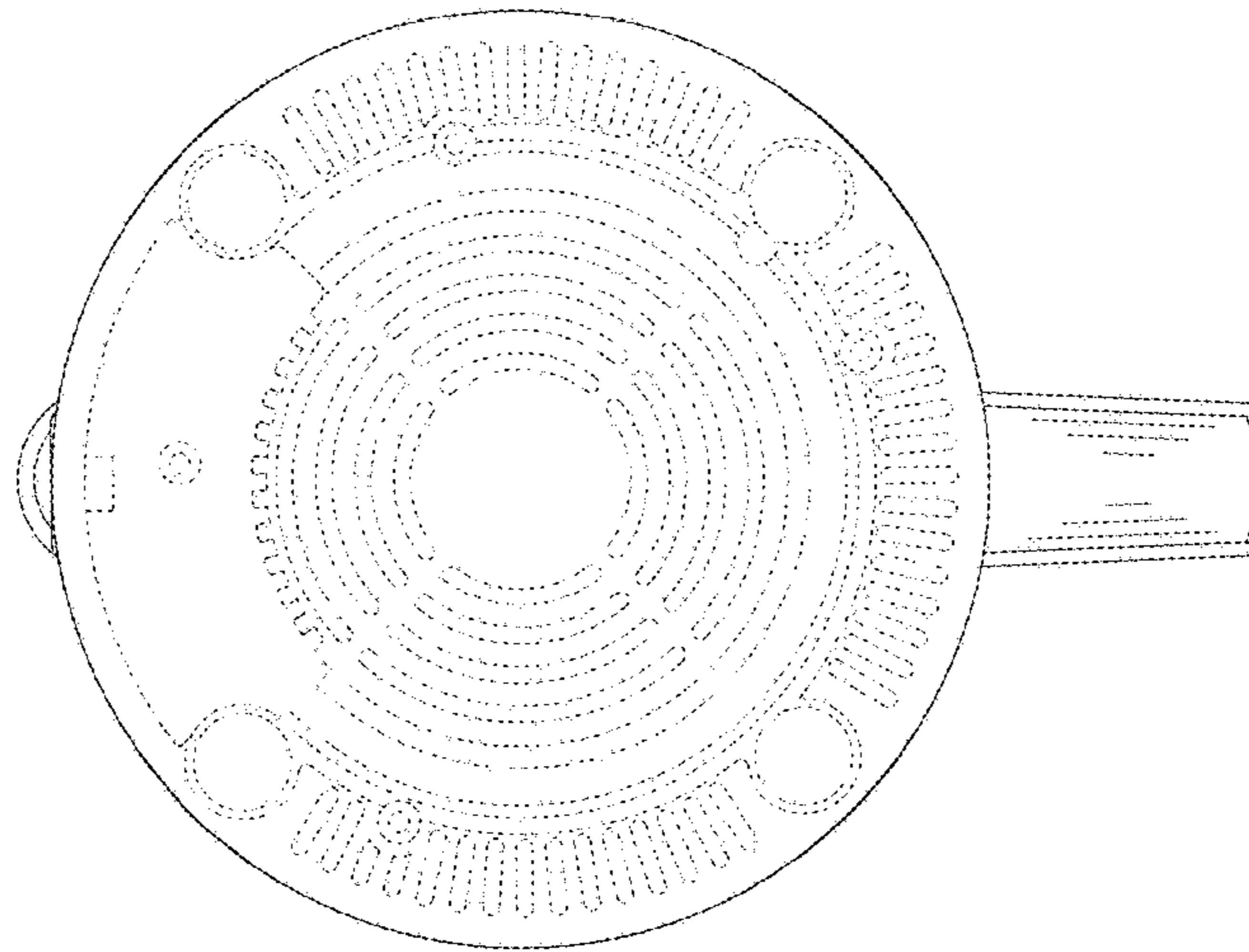


FIG. 6



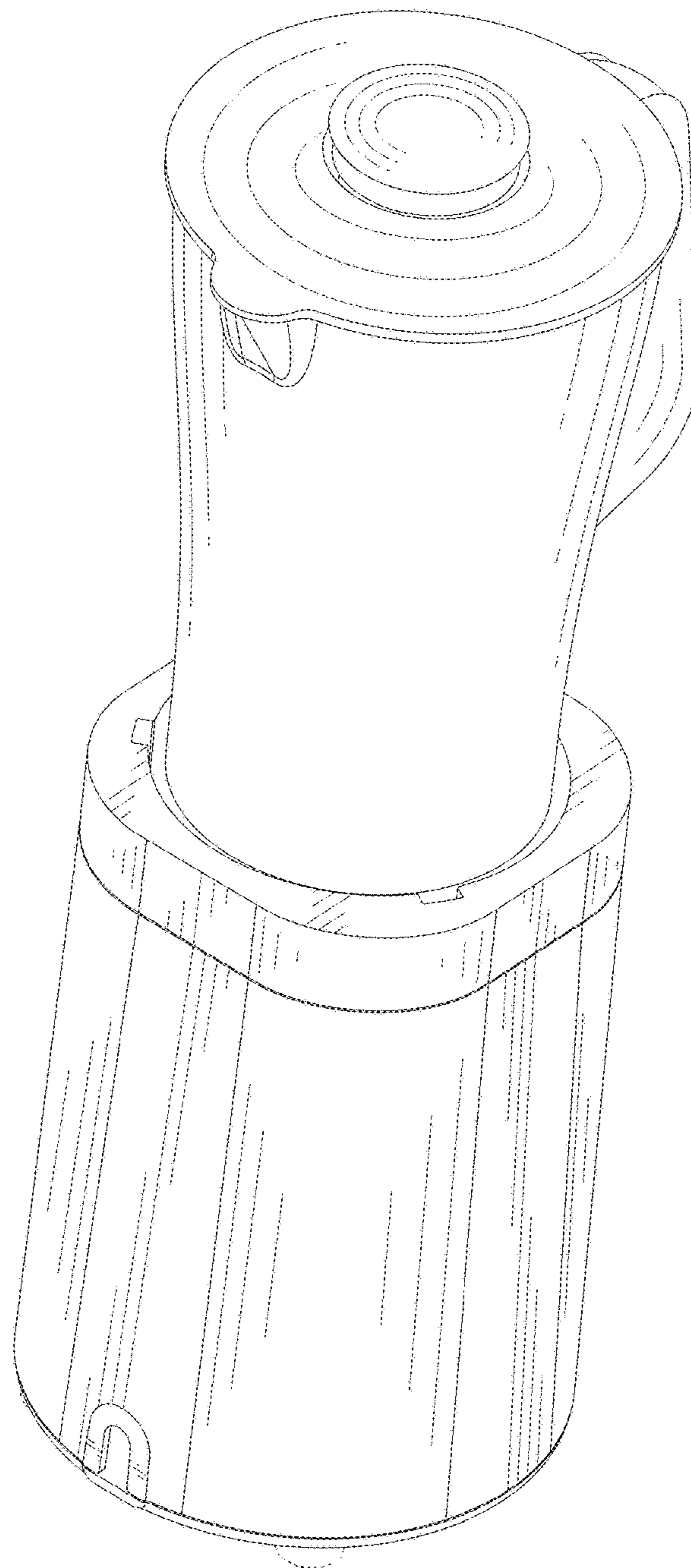


FIG. 7

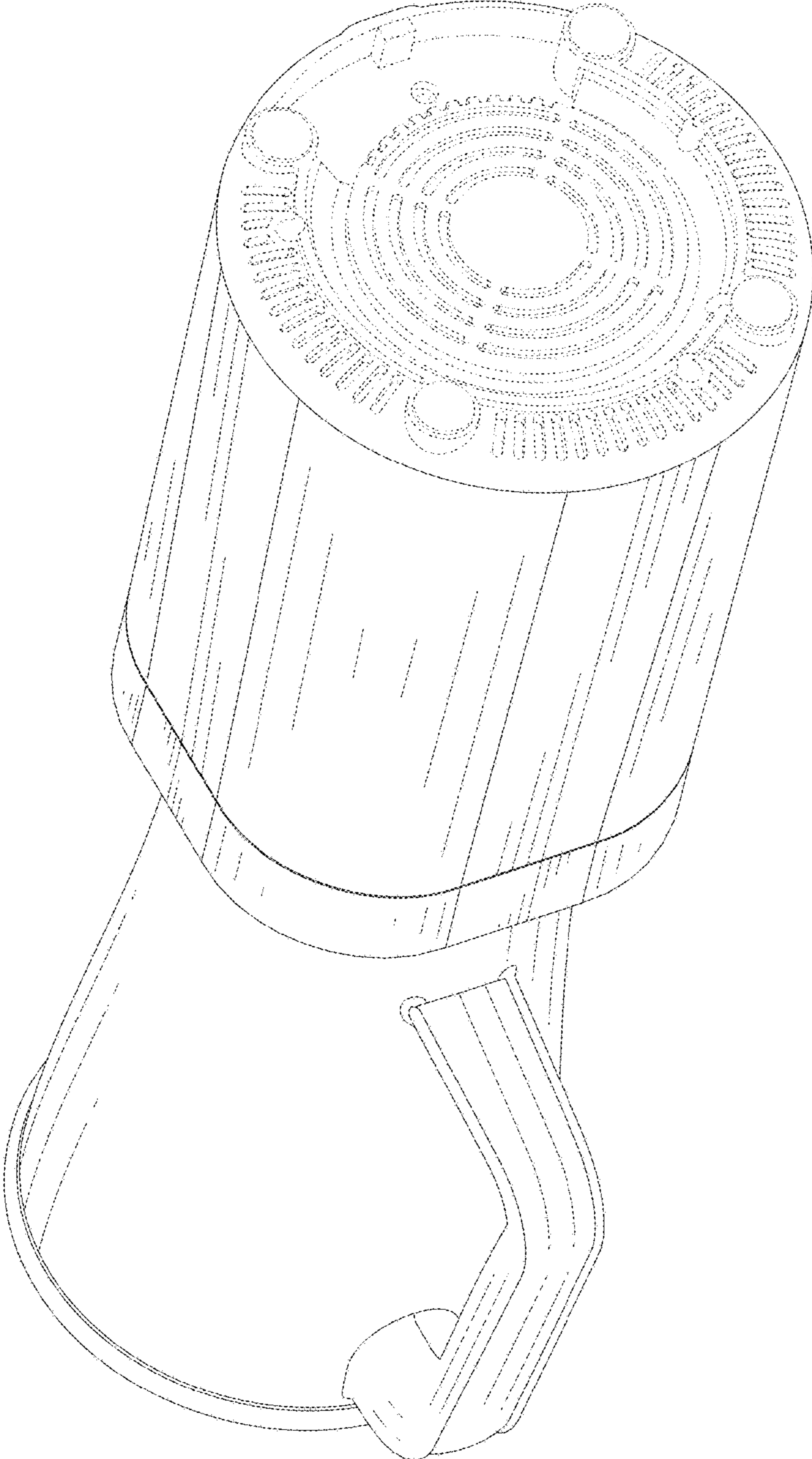


FIG. 8

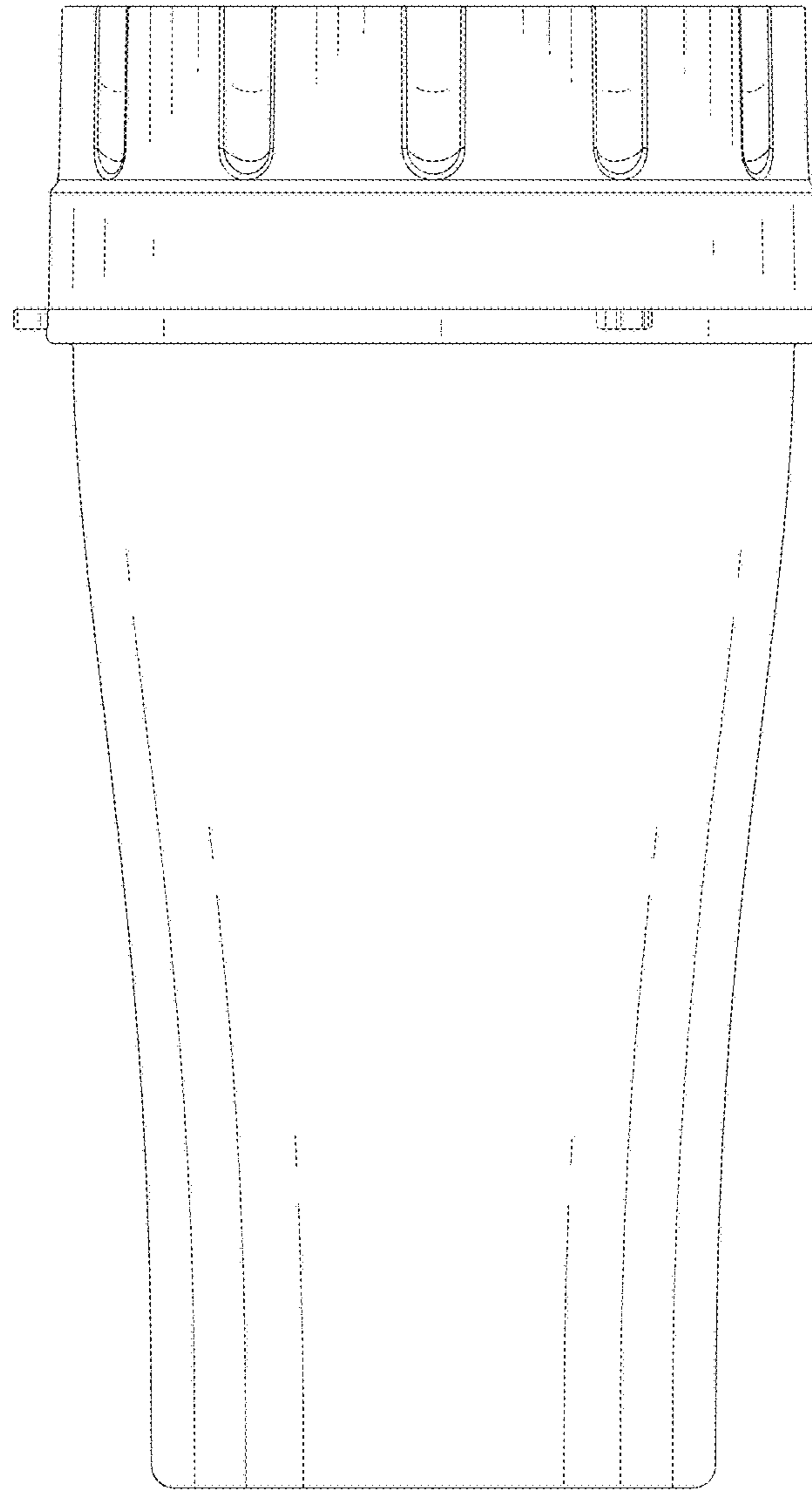


FIG. 9

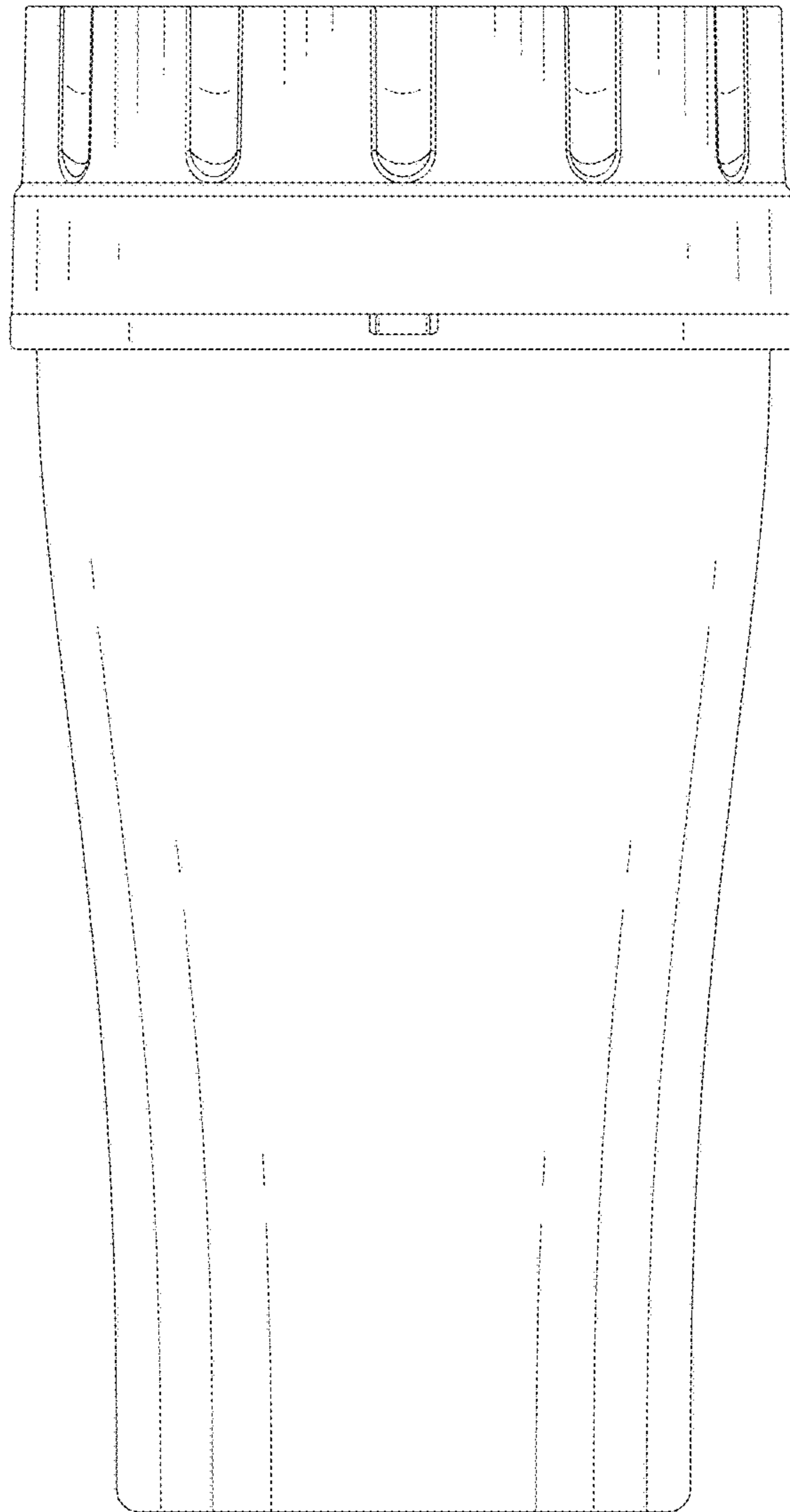


FIG.10

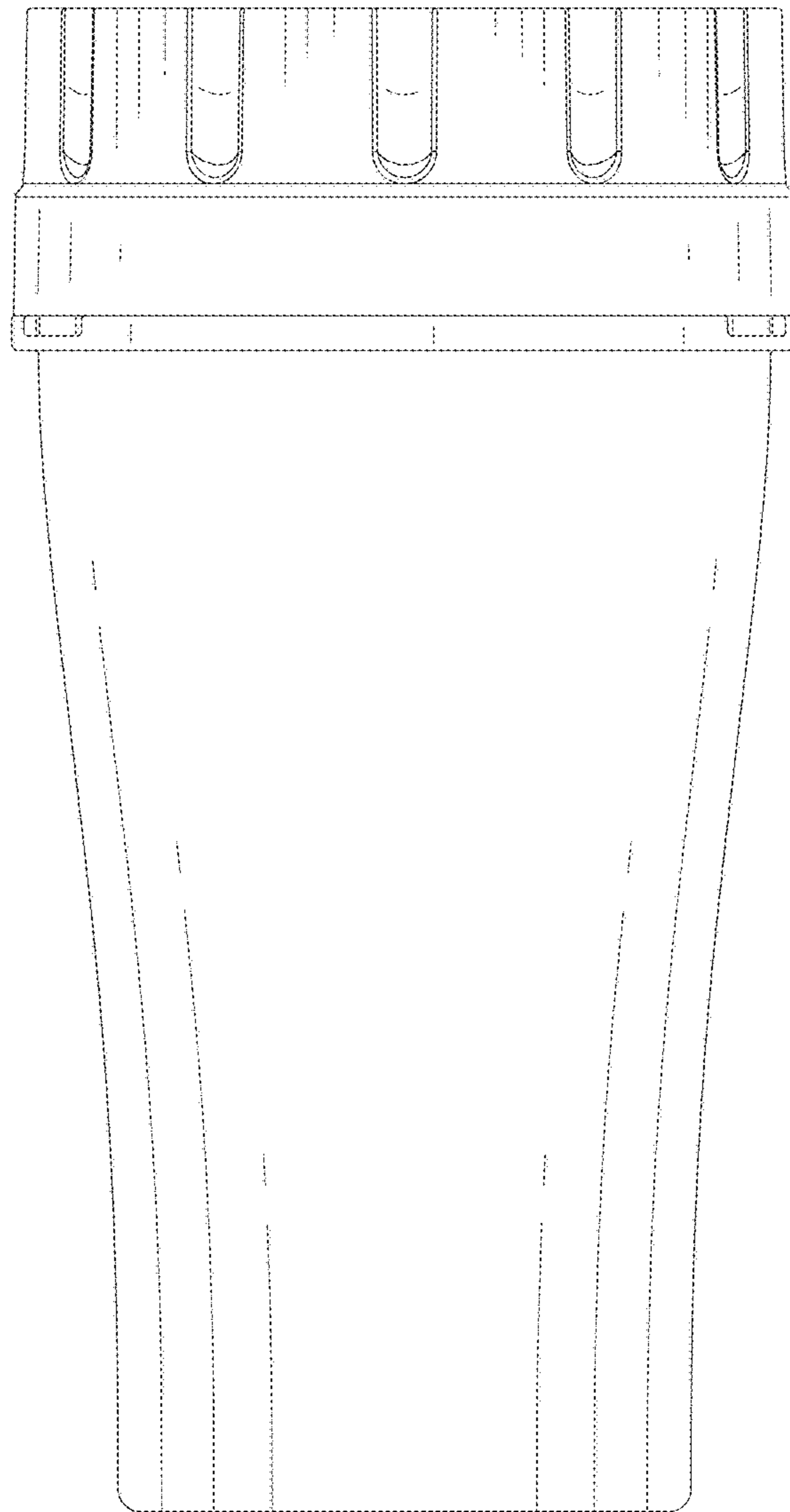


FIG.11

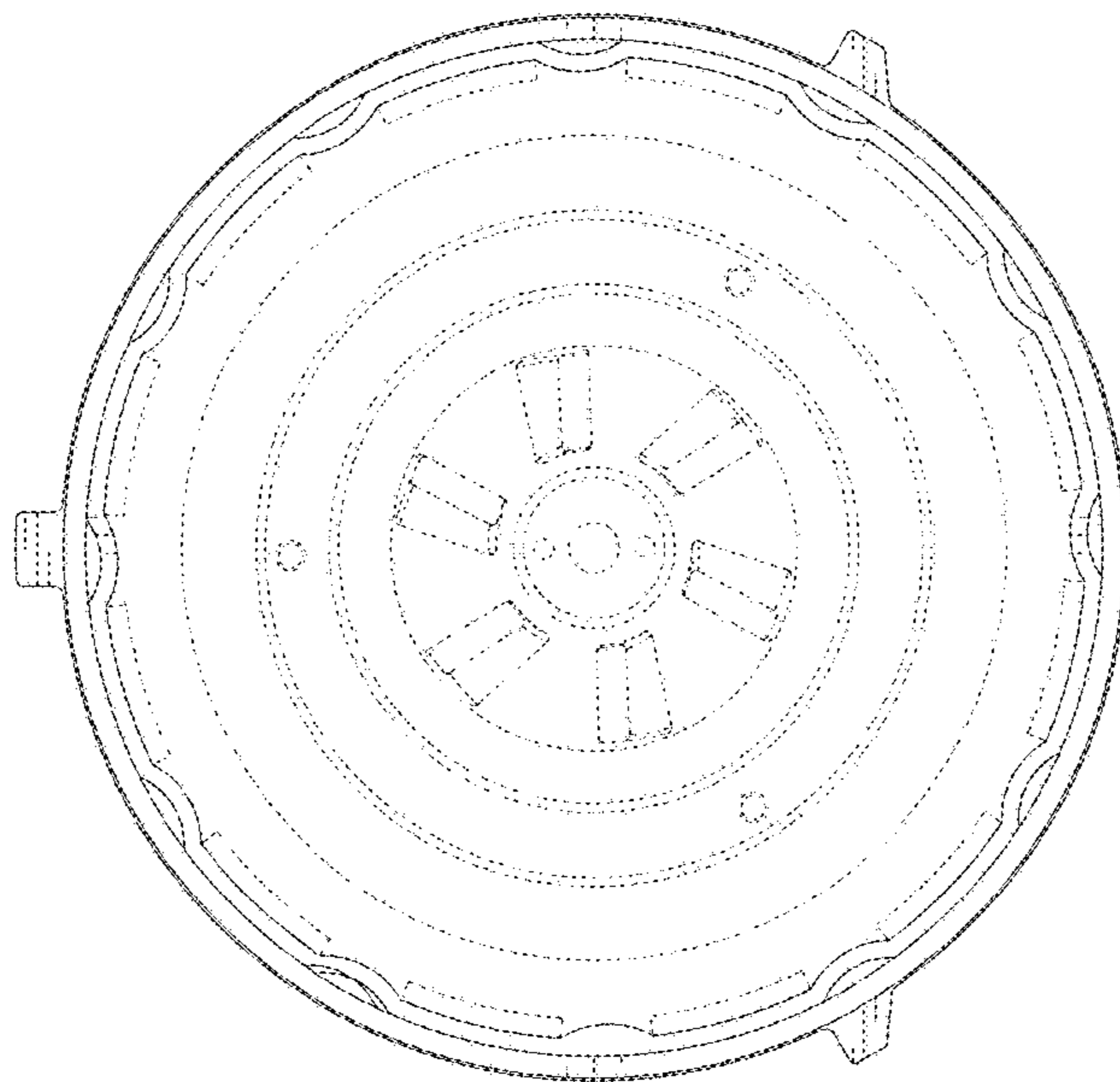


FIG.12

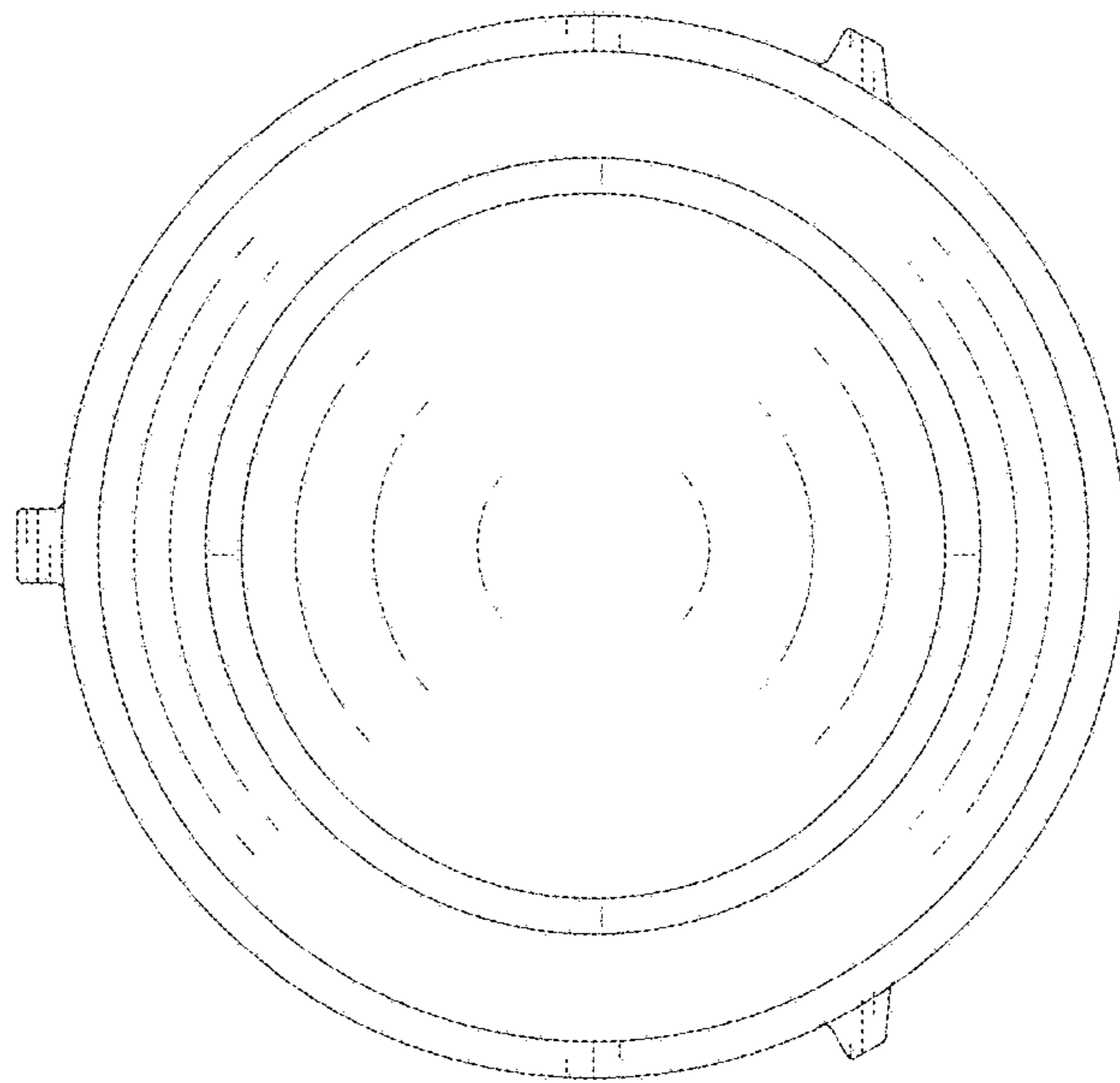


FIG.13

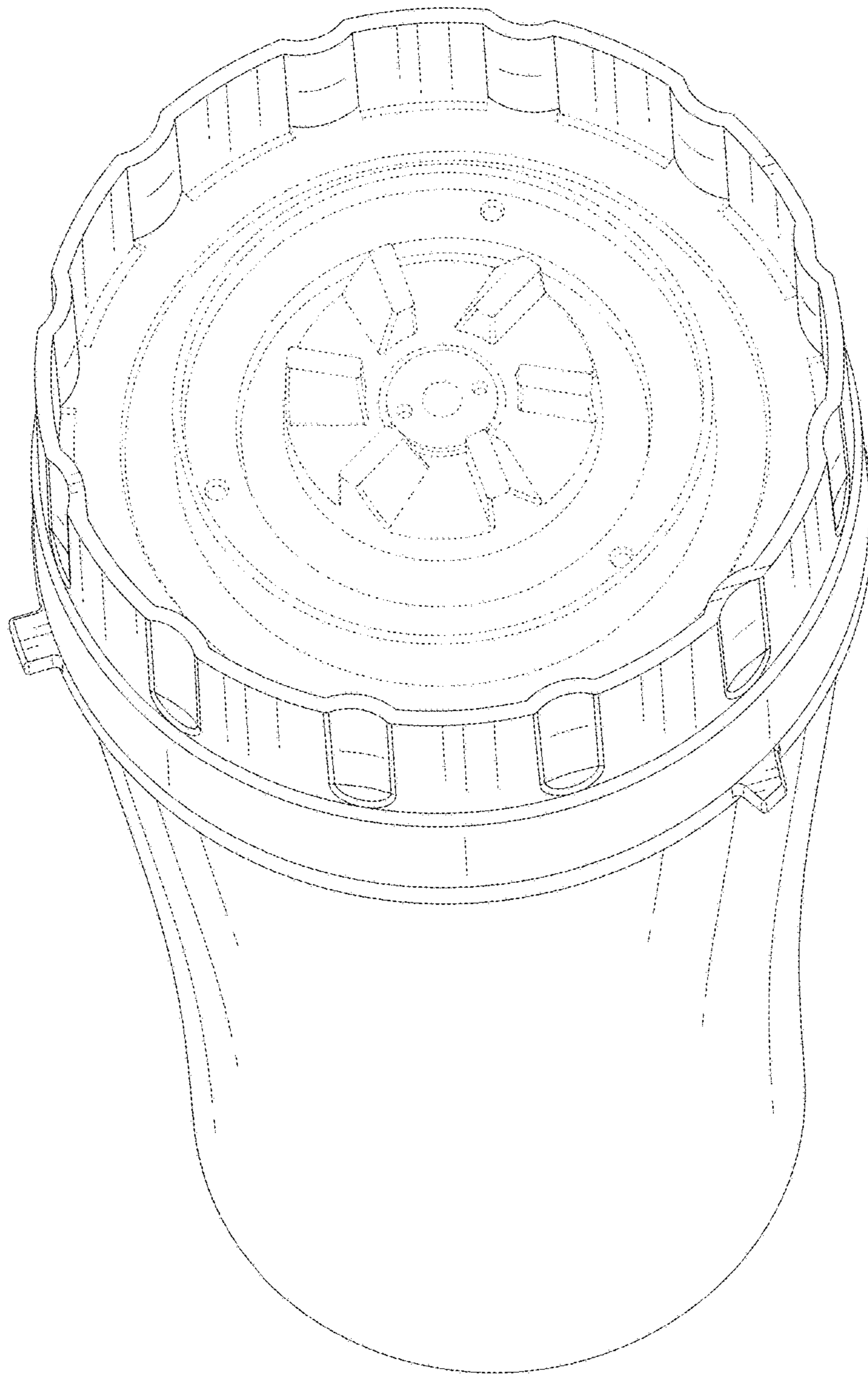


FIG.14



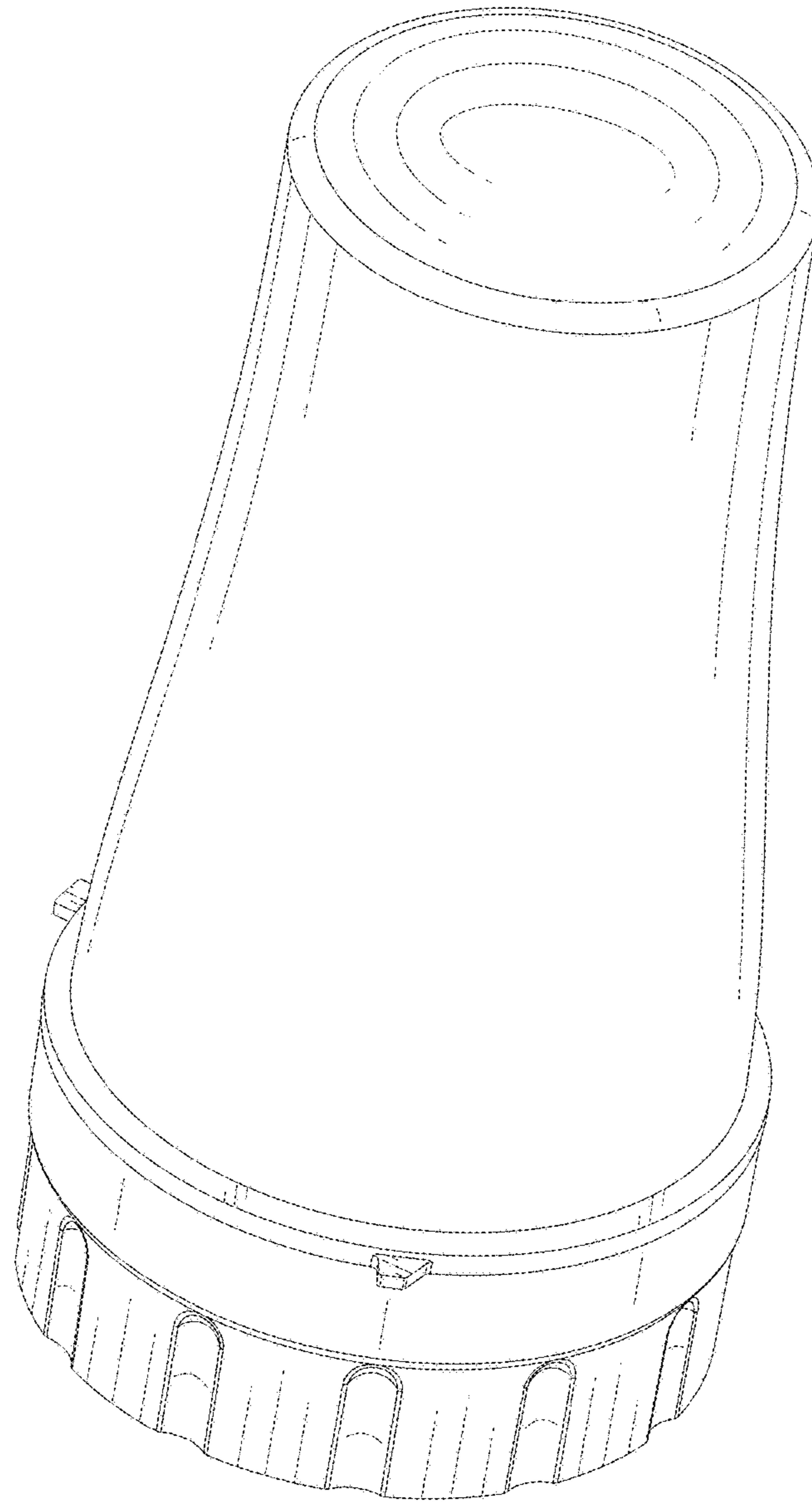


FIG.15

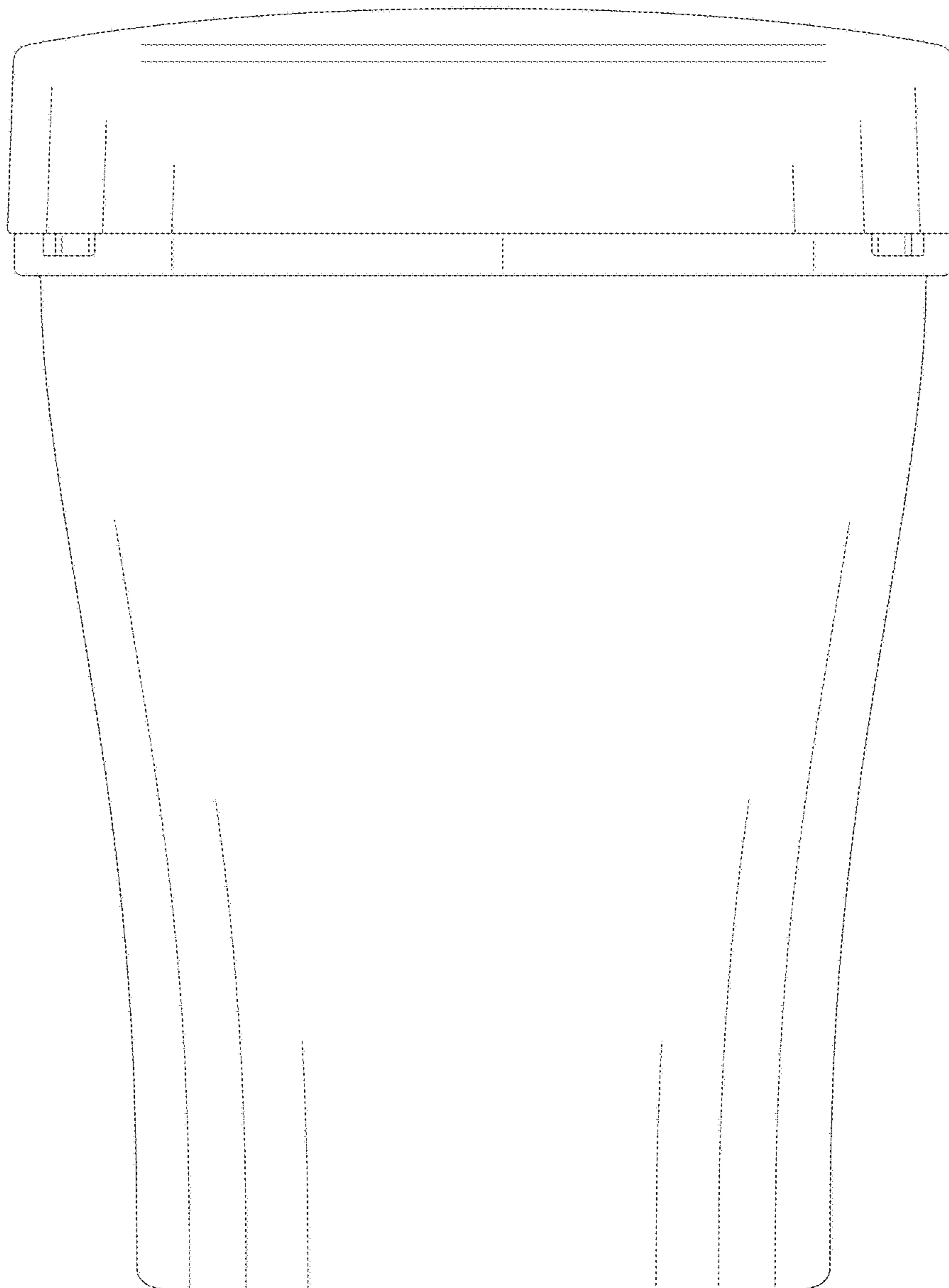


FIG.16

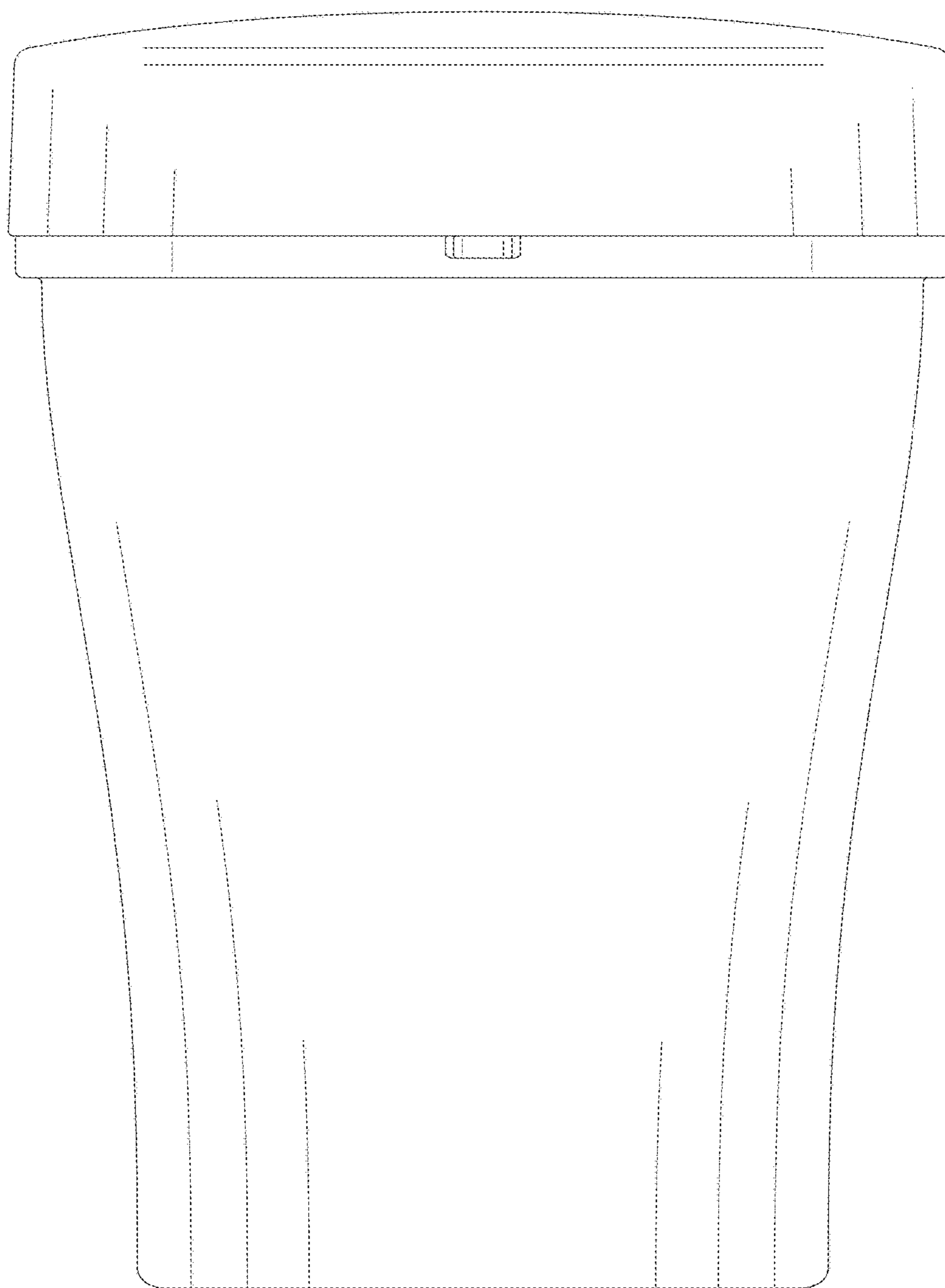


FIG.17

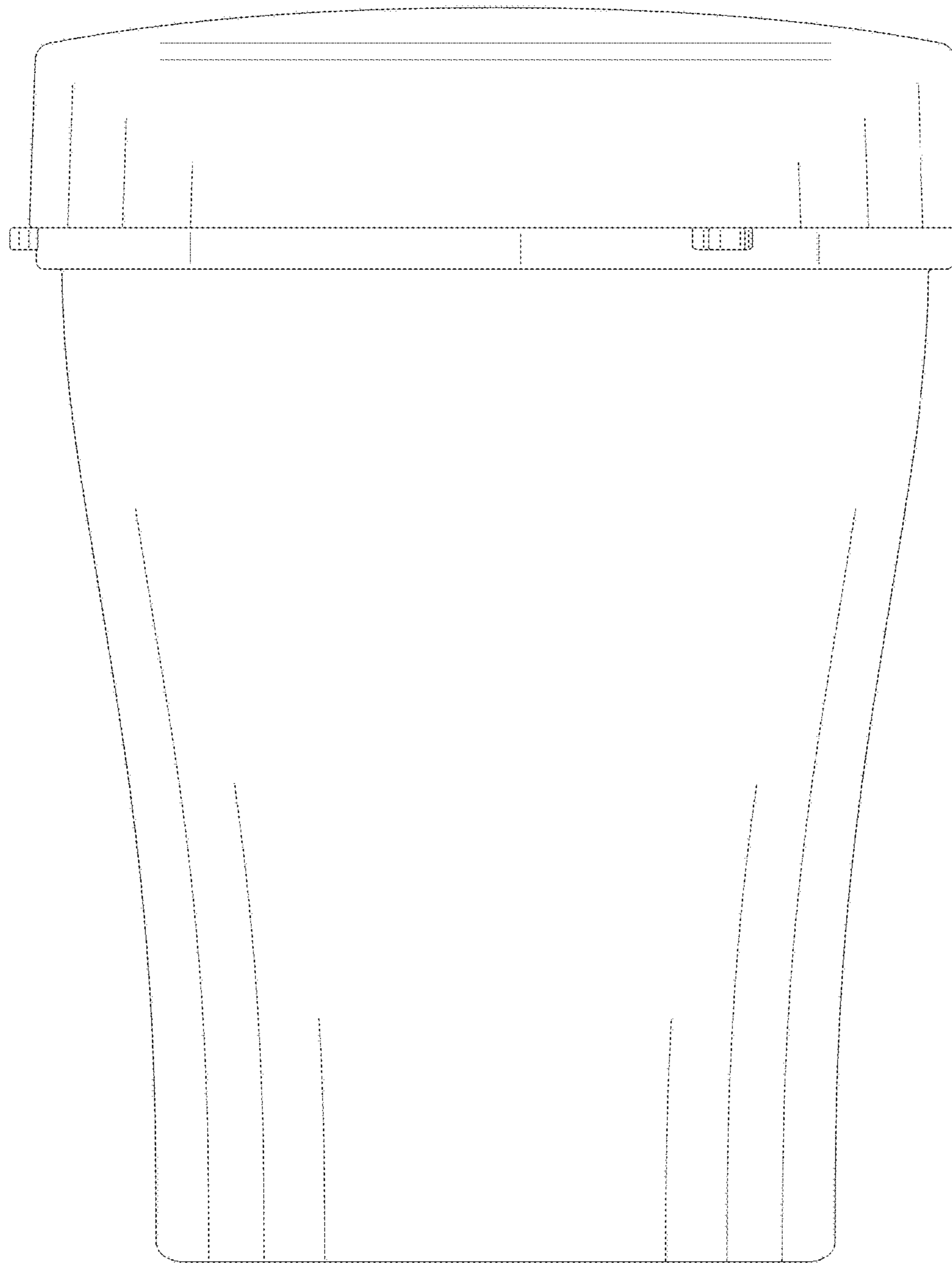


FIG.18

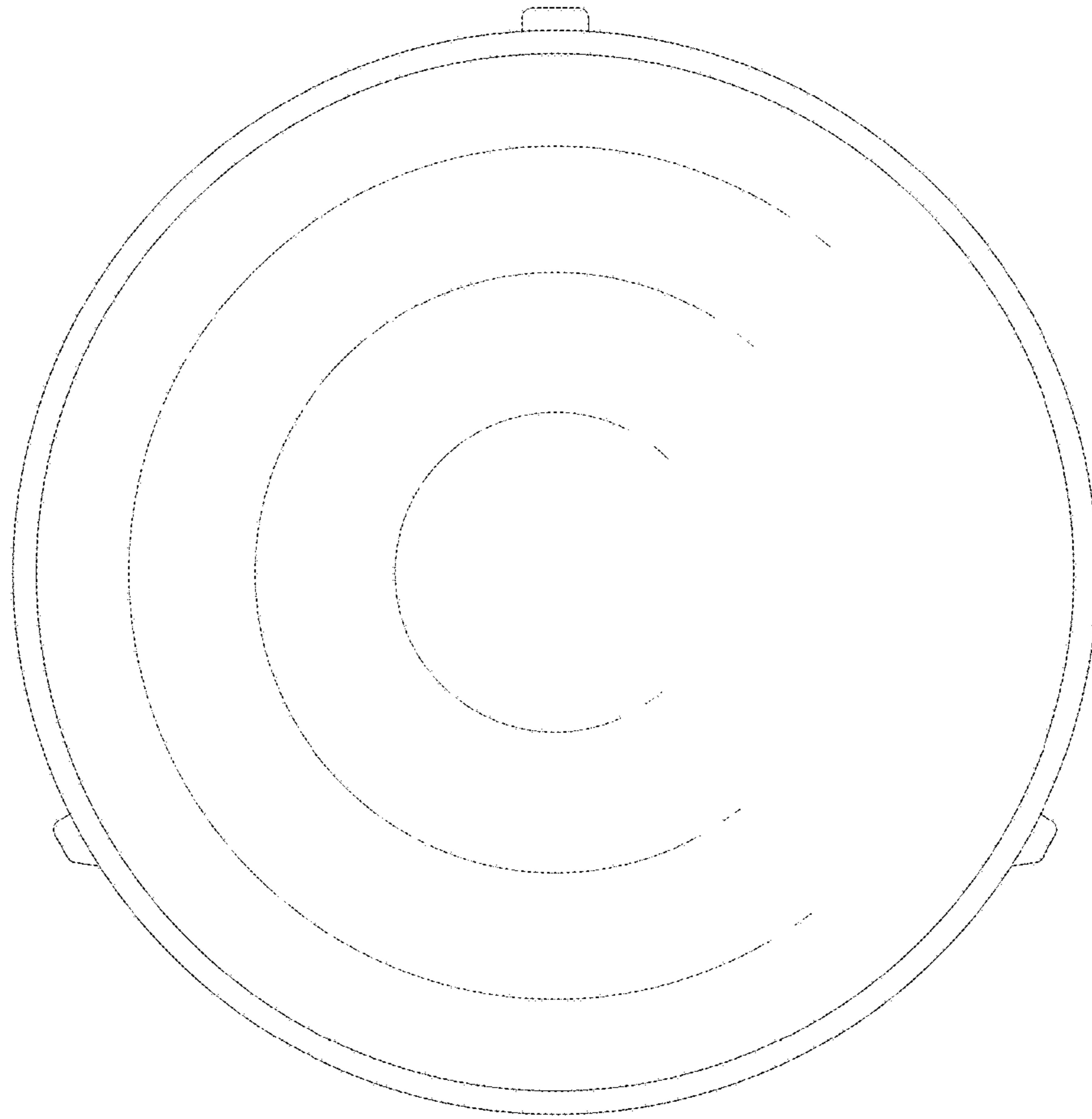


FIG. 19

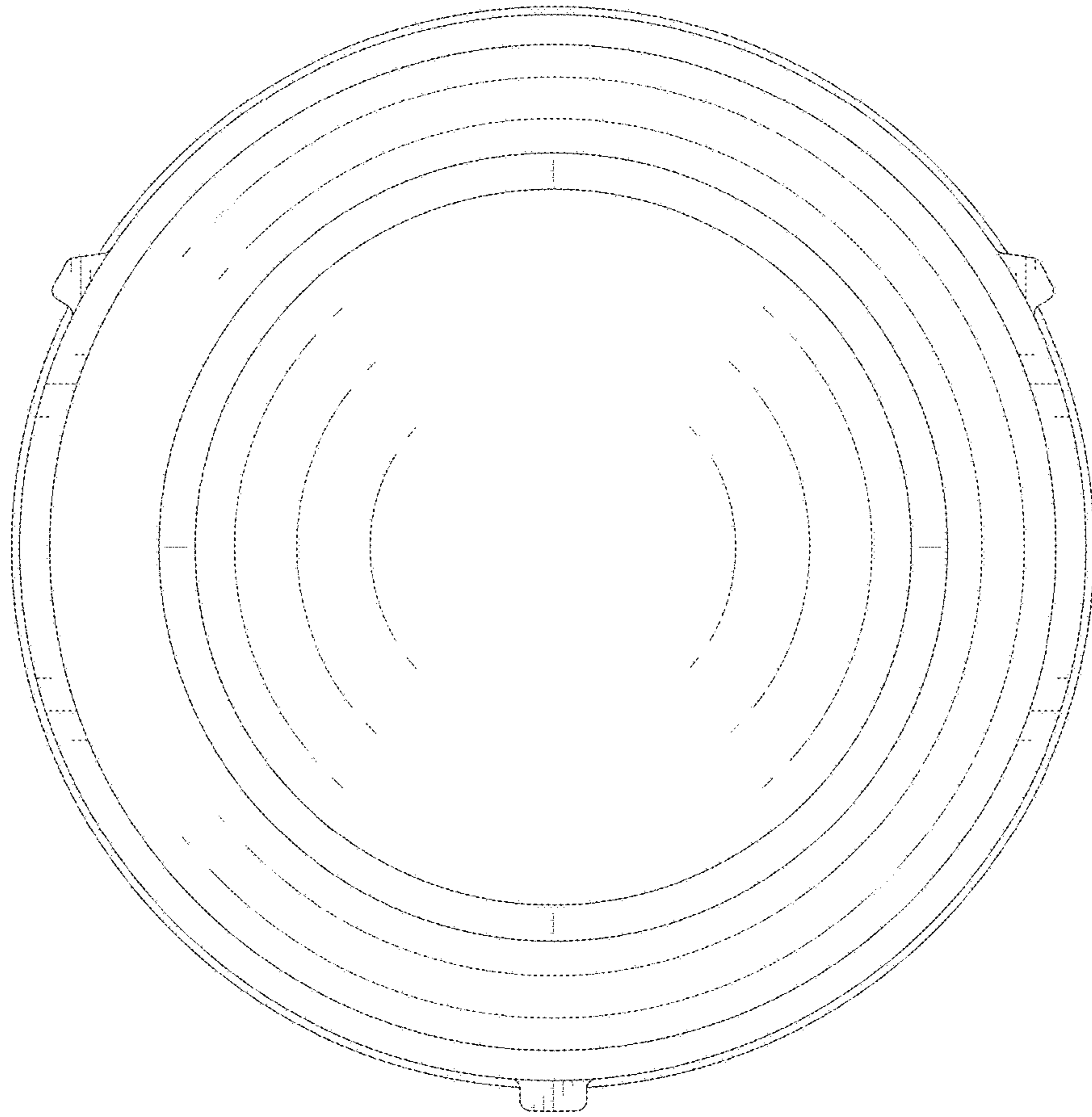


FIG. 20

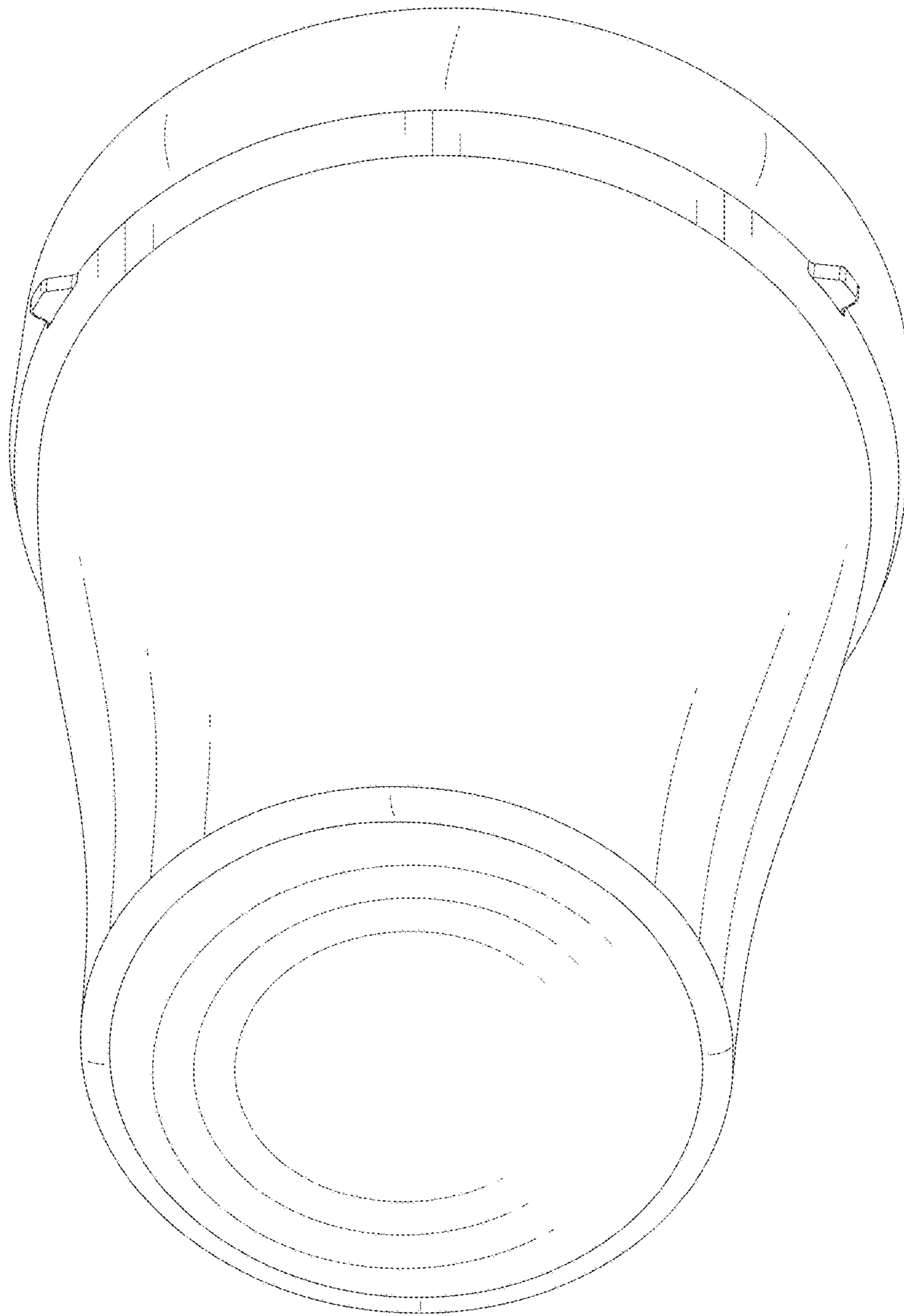


FIG. 21

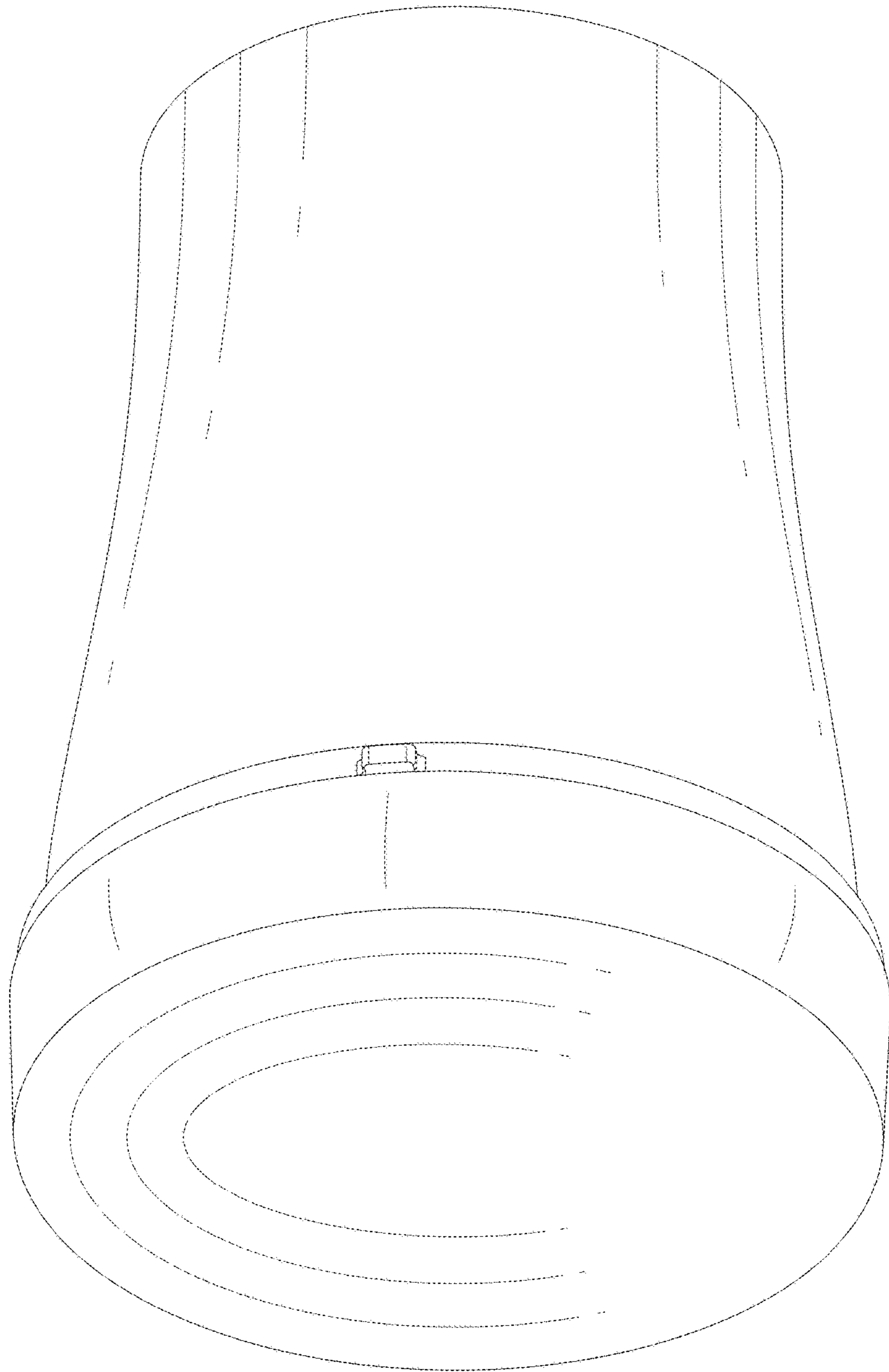


FIG. 22



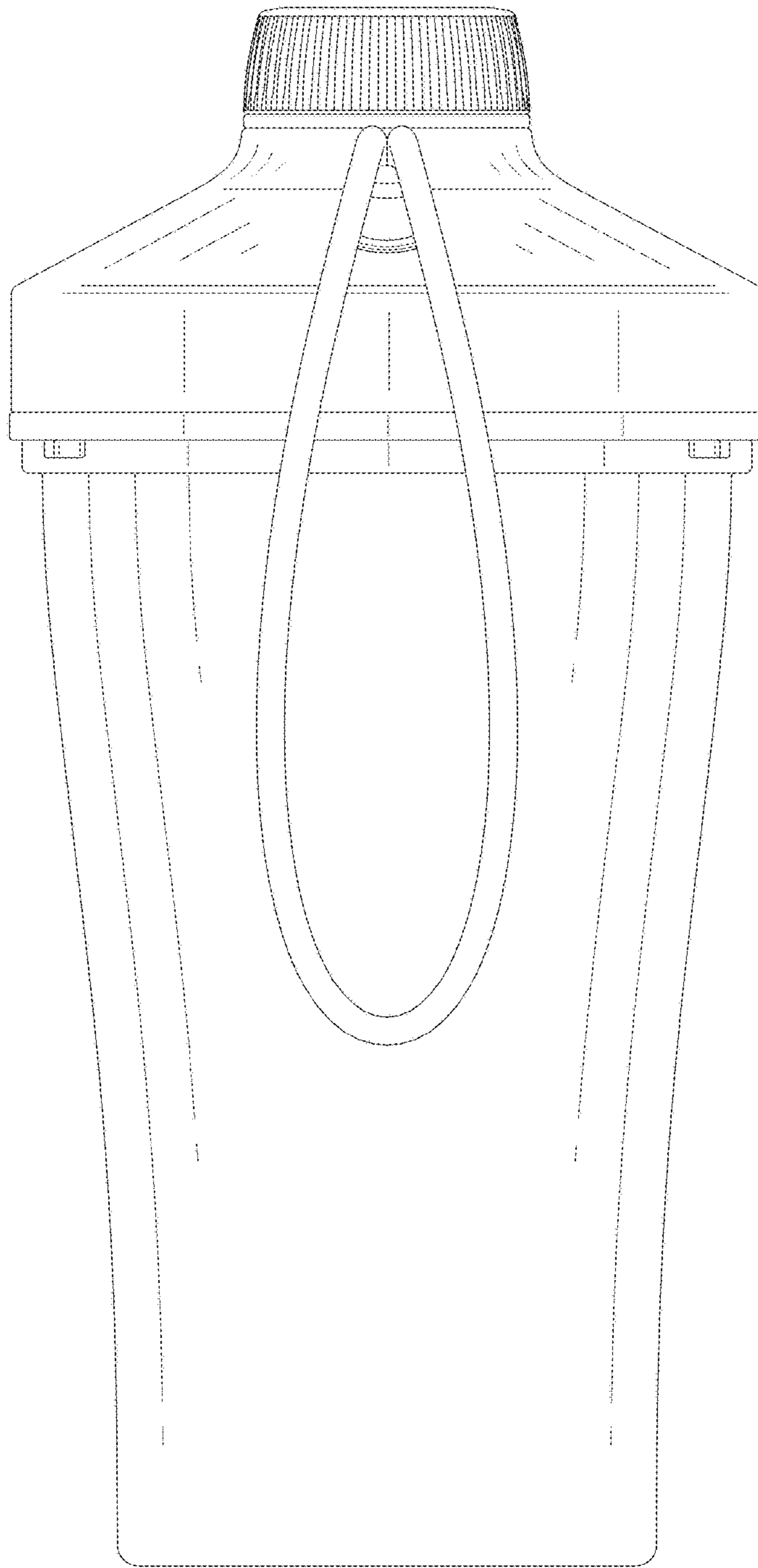


FIG. 23

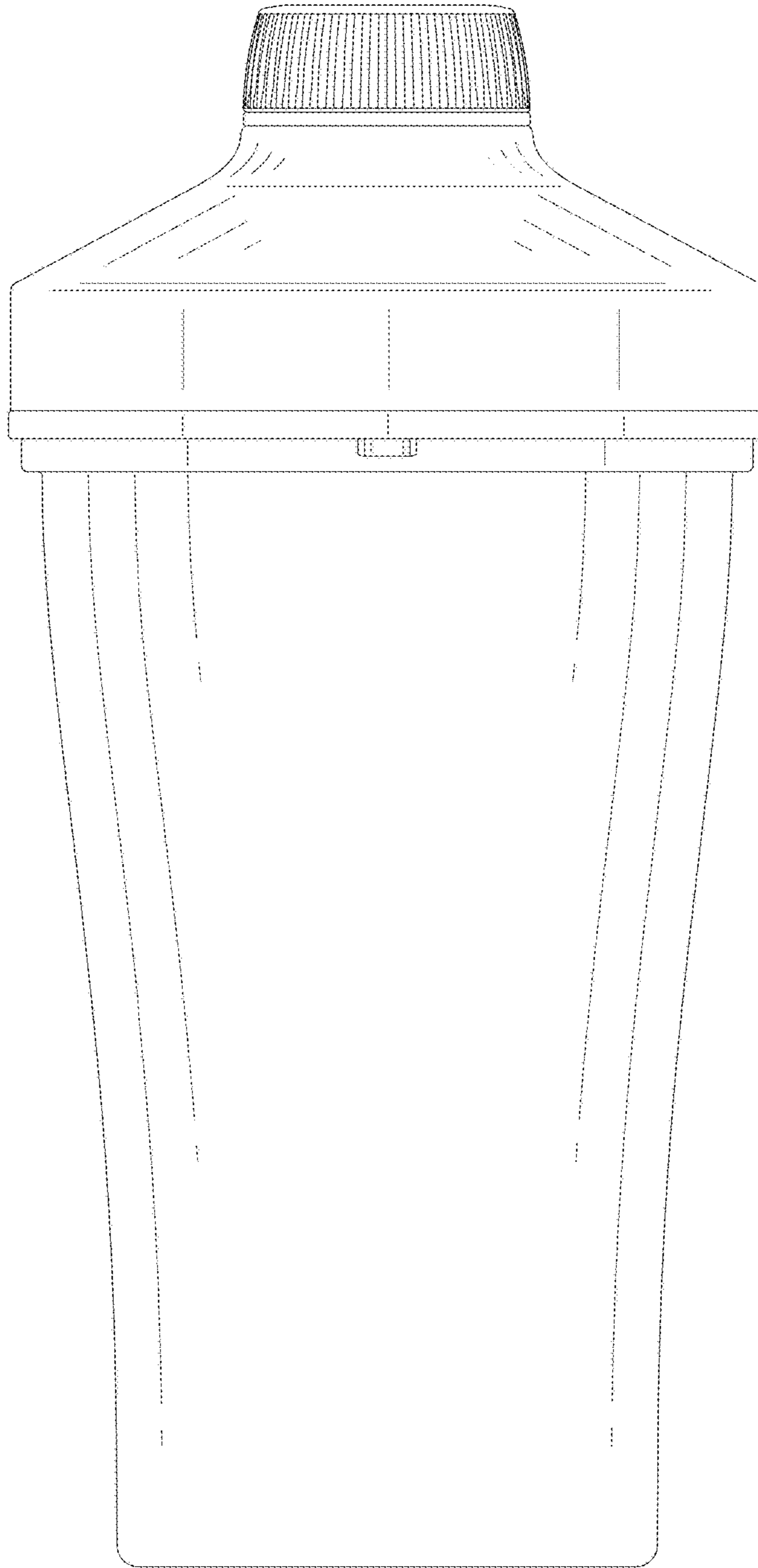


FIG.24

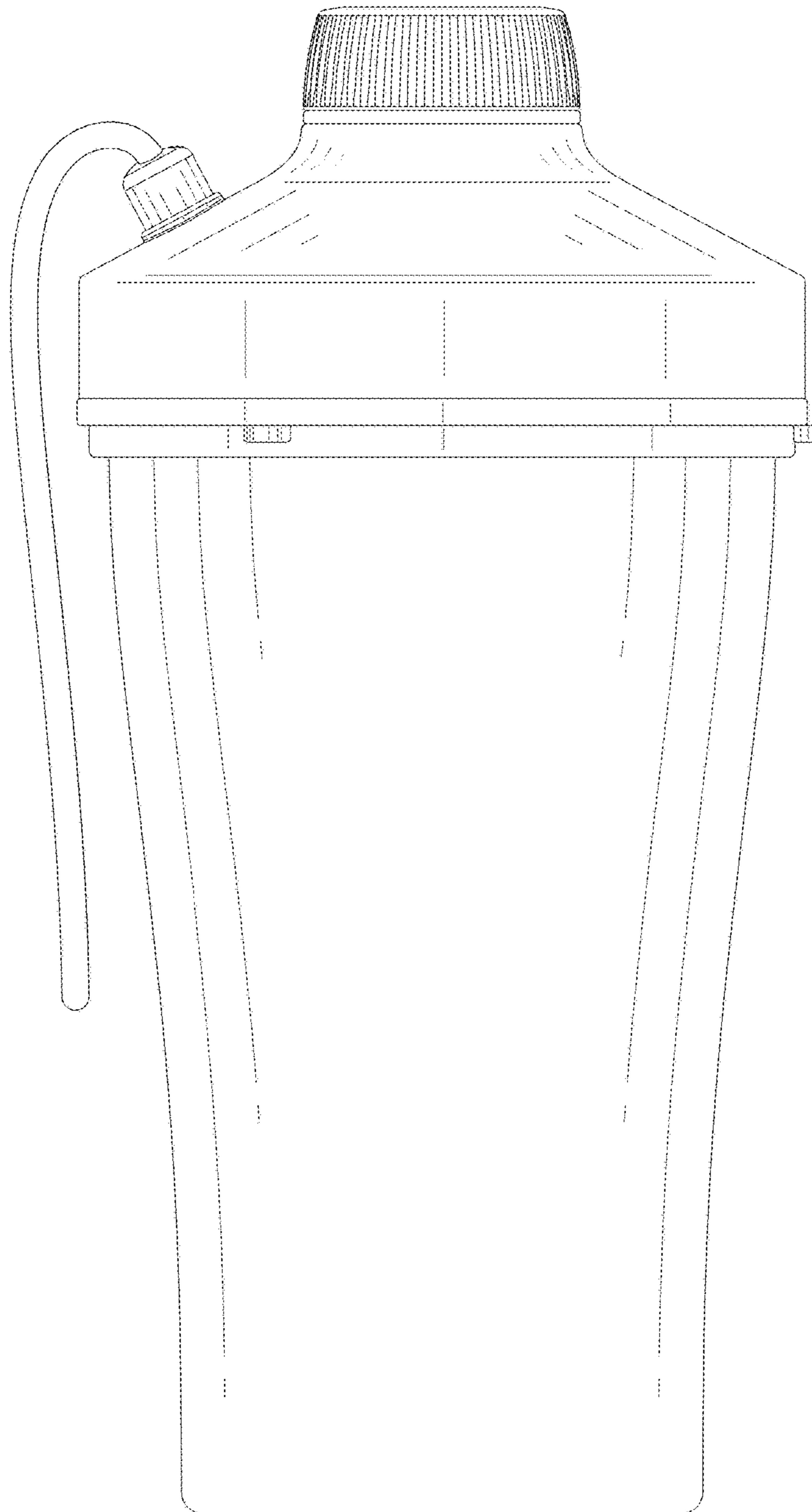


FIG. 25

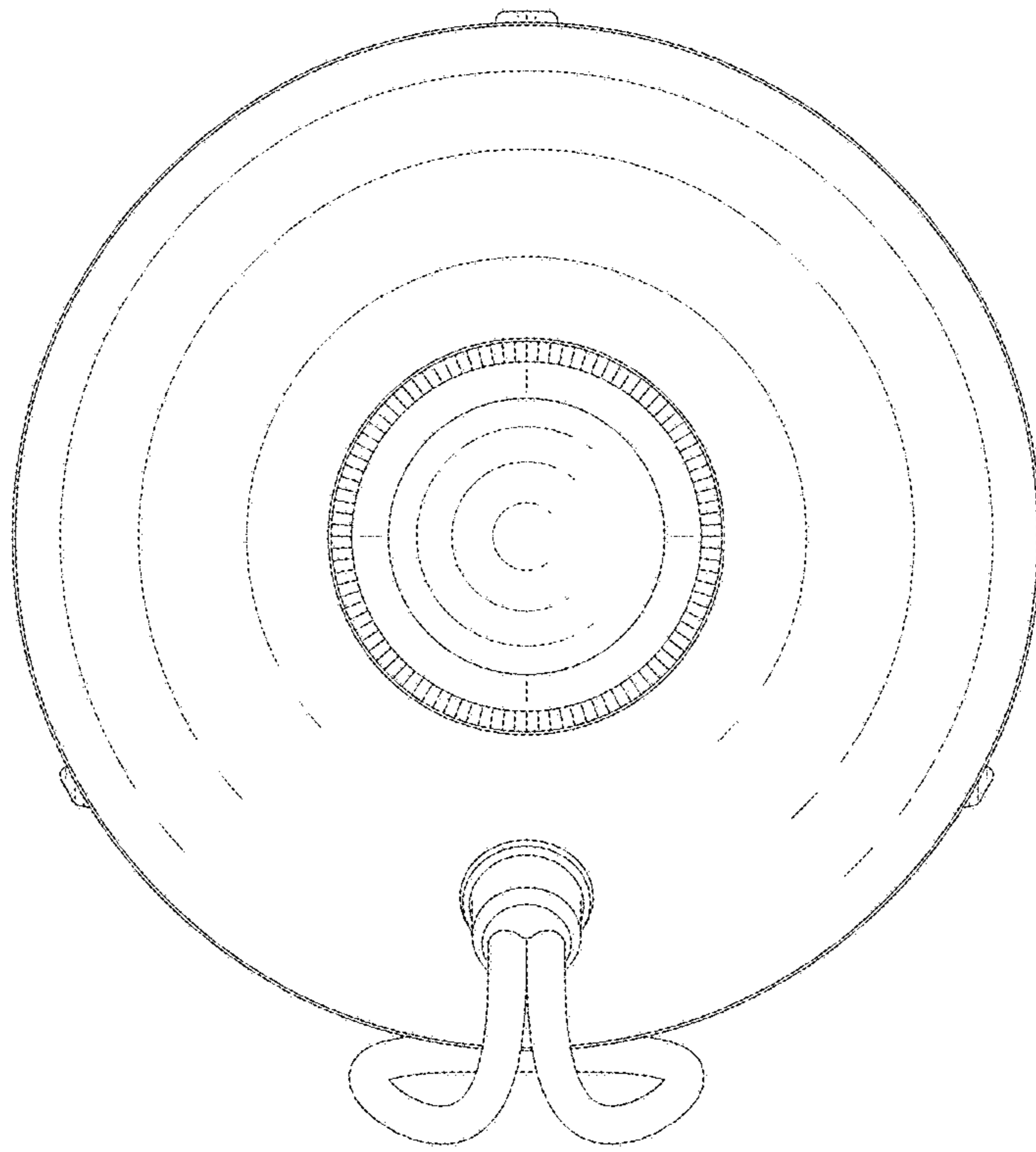


FIG.26

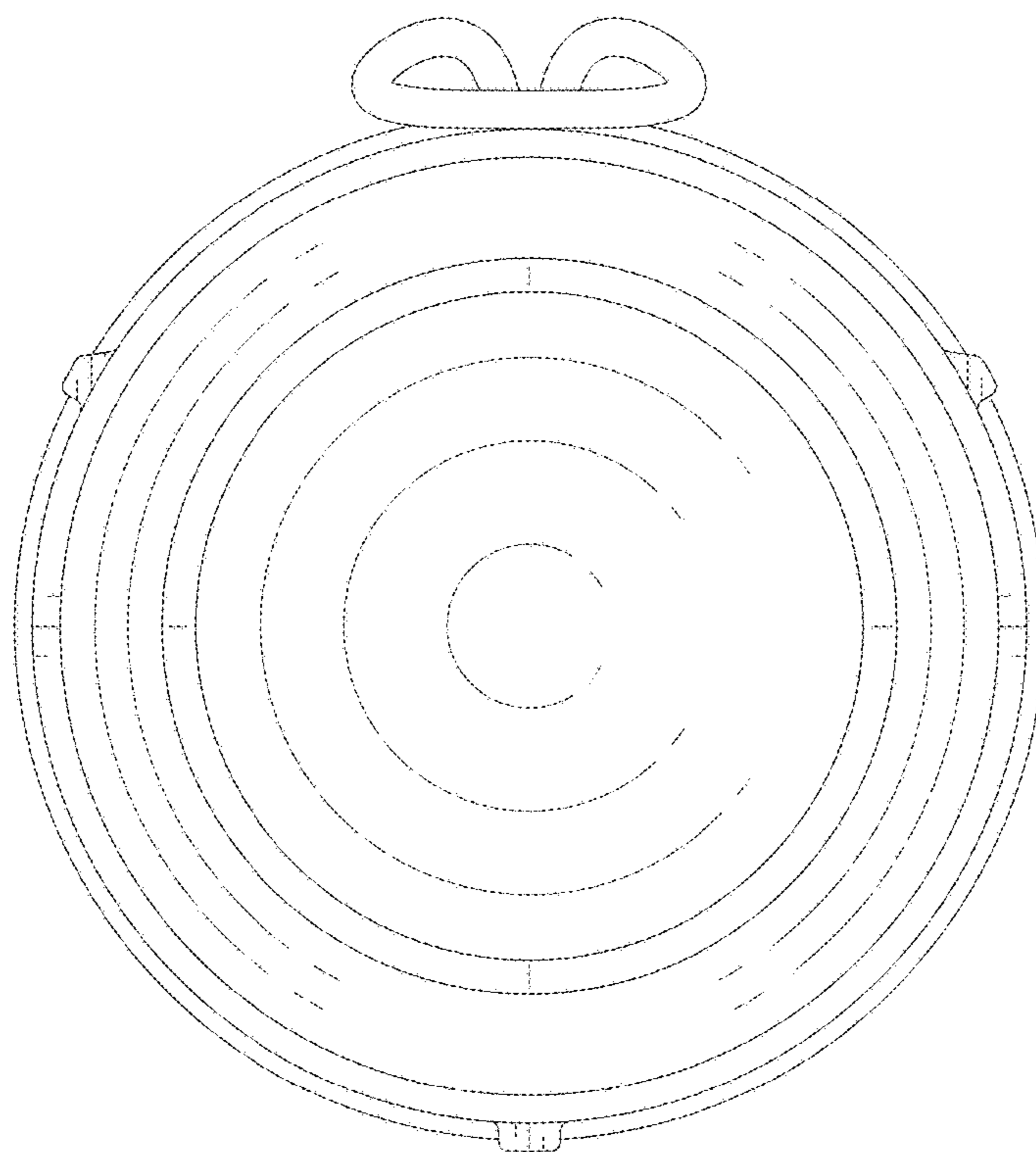


FIG. 27

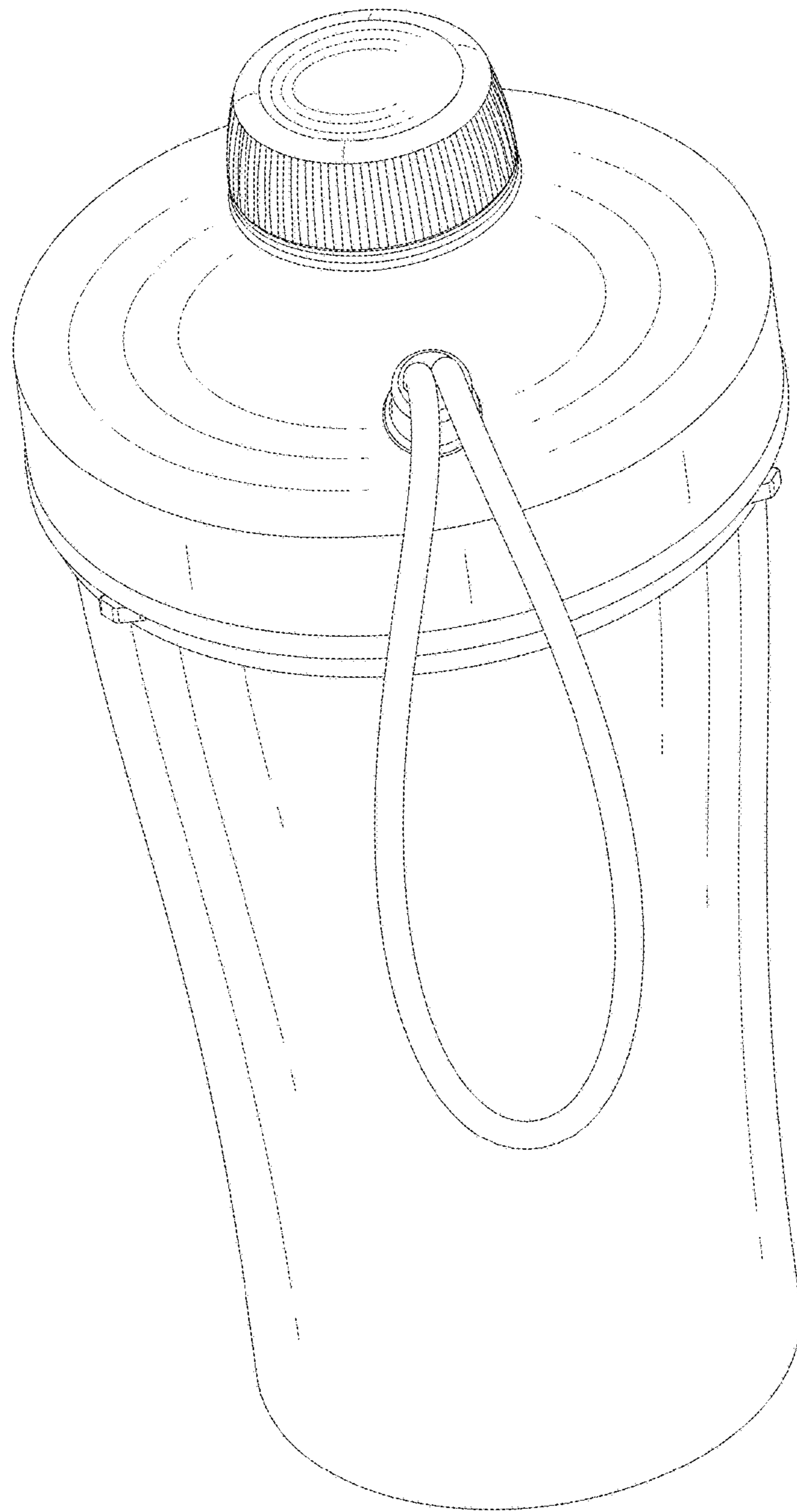


FIG. 28

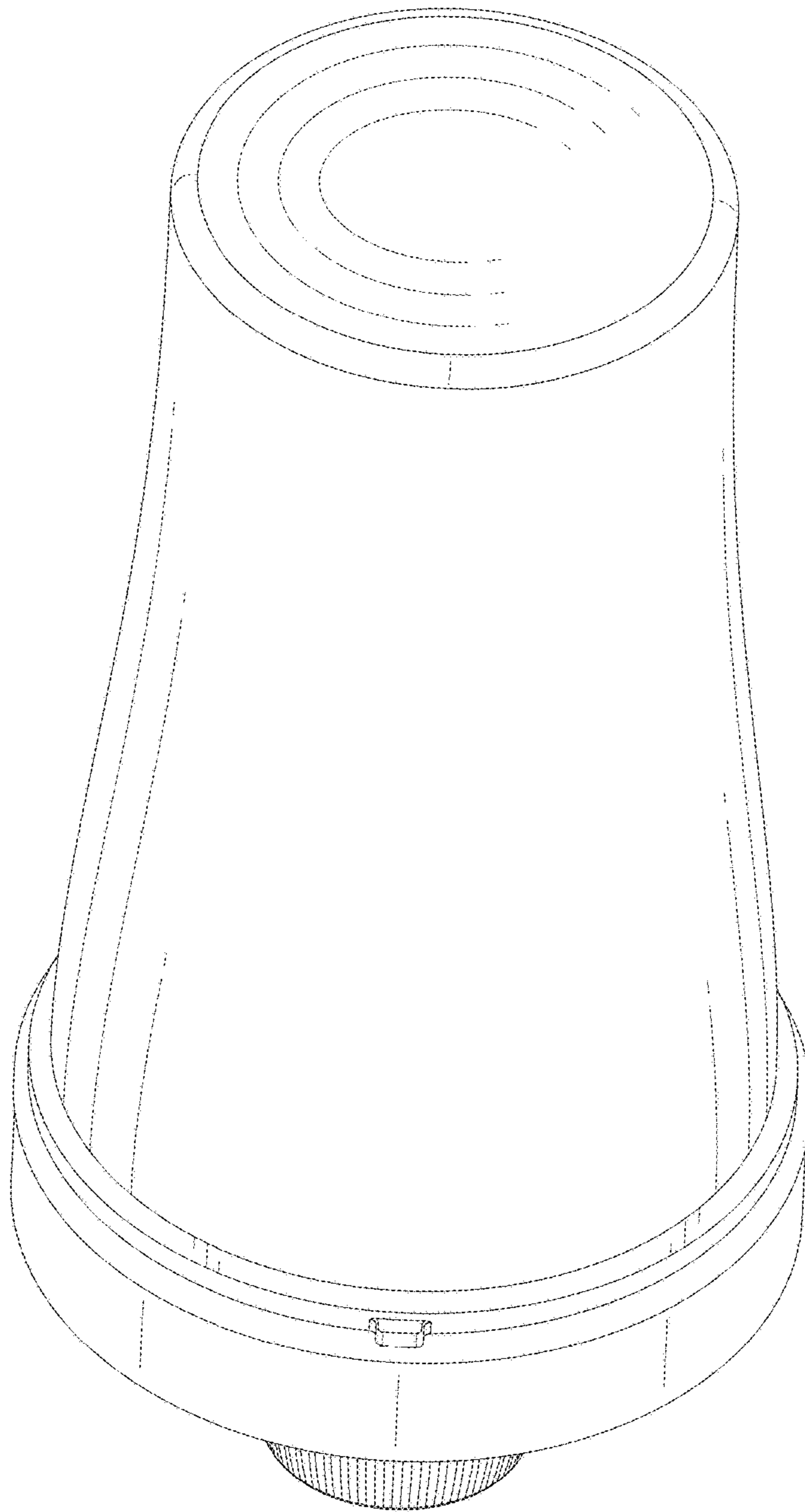


FIG. 29