



US00D846335S

(12) **United States Design Patent**
Yang et al.

(10) **Patent No.:** **US D846,335 S**

(45) **Date of Patent:** **** Apr. 23, 2019**

(54) **PRESSURE COOKER**

(71) Applicant: **ETEK CITY CORPORATION**,
Anaheim, CA (US)

(72) Inventors: **Lin Yang**, Shenzhen (CN); **Hai Yang**,
Shenzhen (CN)

(**) Term: **15 Years**

(21) Appl. No.: **29/615,936**

(22) Filed: **Aug. 31, 2017**

(30) **Foreign Application Priority Data**

Mar. 3, 2017 (CN) 2017 3 0058474

(51) **LOC (11) Cl.** **07-02**

(52) **U.S. Cl.**
USPC **D7/358; D7/354**

(58) **Field of Classification Search**
USPC D7/323, 354-361, 368, 391, 393
CPC A47J 27/00; A47J 27/004; A47J 27/08;
A47J 27/0802; A47J 27/0804; A47J
27/0811; A47J 27/0813; A47J 27/0815;
A47J 27/0817; A47J 27/084; A47J 27/09;
A47J 27/092; A47J 36/025; A47J 36/06;
A47J 37/12; A47J 37/1204; A47J
37/1209; A47J 45/07; A47J 45/071; A47J
45/074; A47J 45/08; B01D 2201/345;
B01J 3/03; B01J 3/04; F01P 2011/0247;
F01P 2011/0252; H05B 6/00; H05B 6/02;
H05B 6/06

See application file for complete search history.

(56) **References Cited**

U.S. PATENT DOCUMENTS

3,801,331 A * 4/1974 Sano A47J 37/1209
99/403
4,148,250 A * 4/1979 Miki A47J 36/06
220/374

D285,644 S * 9/1986 Kitakaze D7/358
D323,954 S * 2/1992 Barrault D7/354
D345,886 S * 4/1994 Gingele D7/354
D370,827 S * 6/1996 Combe D7/358
D486,352 S * 2/2004 Park D7/358
D549,517 S * 8/2007 Moran D7/358
D711,182 S * 8/2014 Roussard D7/354
D728,301 S * 5/2015 Hack D7/368
D770,220 S * 11/2016 Chung A47J 37/1209
D770,843 S * 11/2016 Chung D7/354
D770,844 S * 11/2016 Chung A47J 36/06
D7/354

* cited by examiner

Primary Examiner — Ricky Pham

(74) *Attorney, Agent, or Firm* — Tsz Lung Yeung

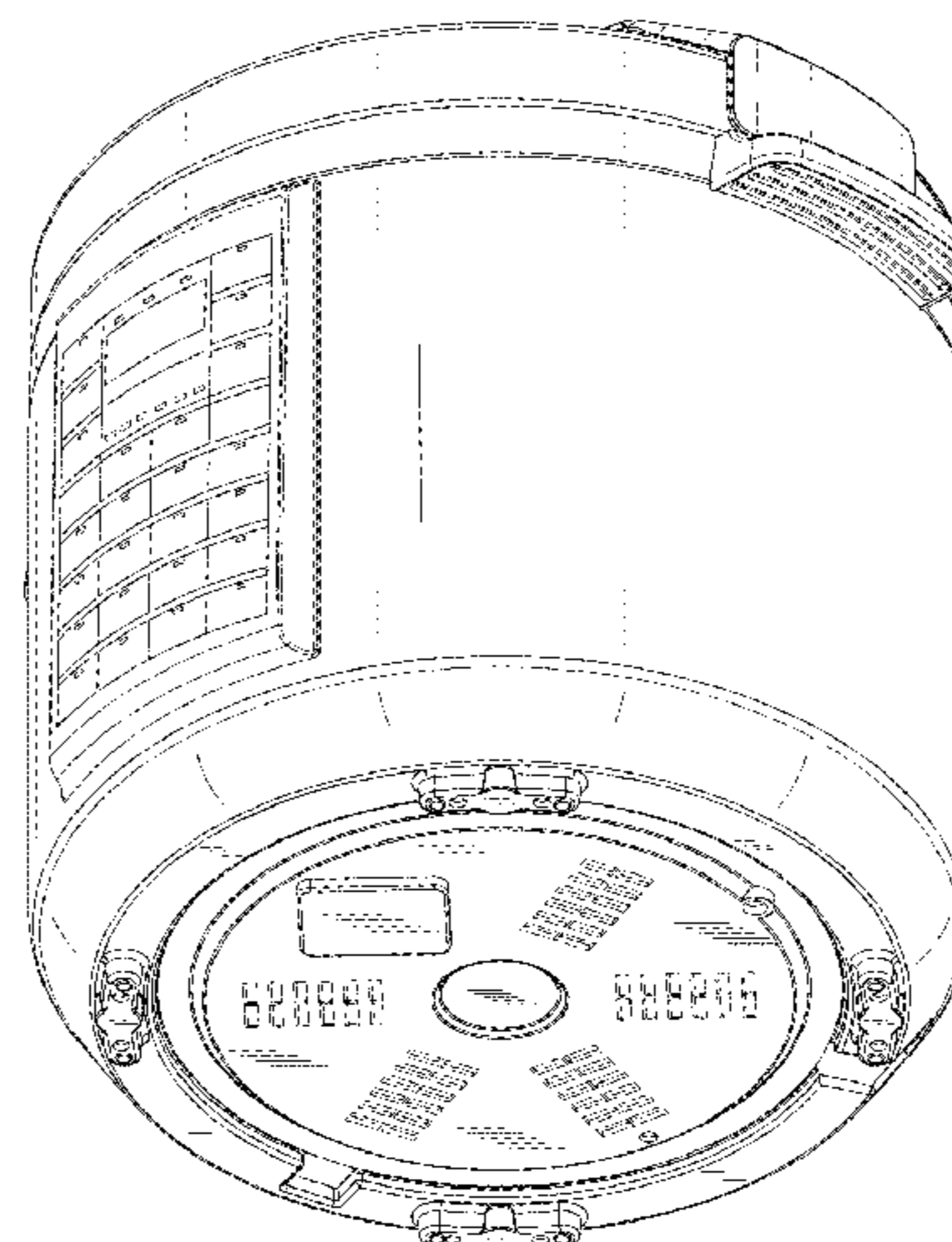
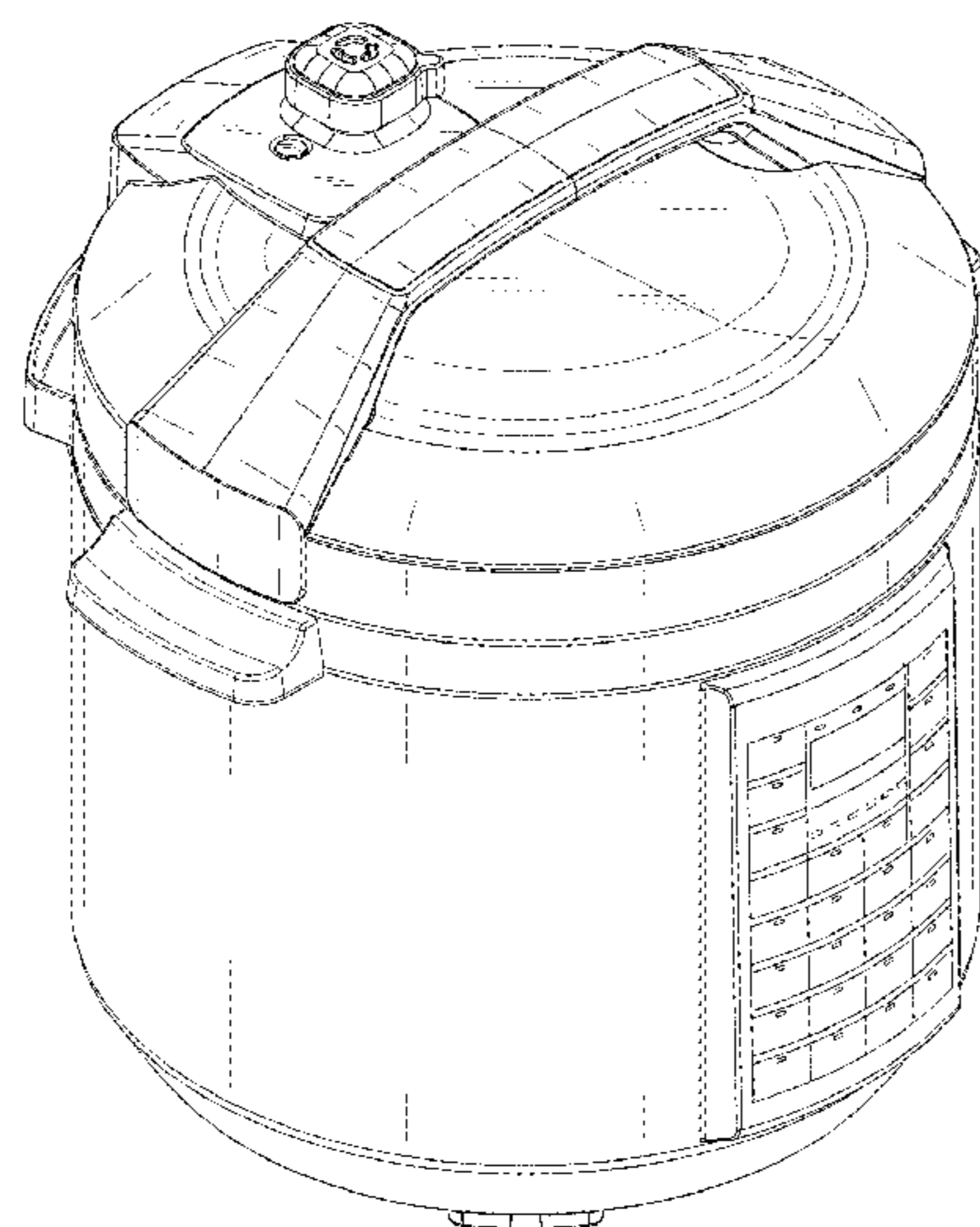
(57) **CLAIM**

The ornamental design for a pressure cooker, as shown and described.

DESCRIPTION

FIG. 1 is a perspective view of a pressure cooker showing our new design;
FIG. 2 is a front view thereof;
FIG. 3 is a rear view thereof;
FIG. 4 is a left end view thereof;
FIG. 5 is a right end view thereof;
FIG. 6 is a top view thereof;
FIG. 7 is a bottom view thereof; and,
FIG. 8 is a bottom perspective view thereof.

1 Claim, 8 Drawing Sheets



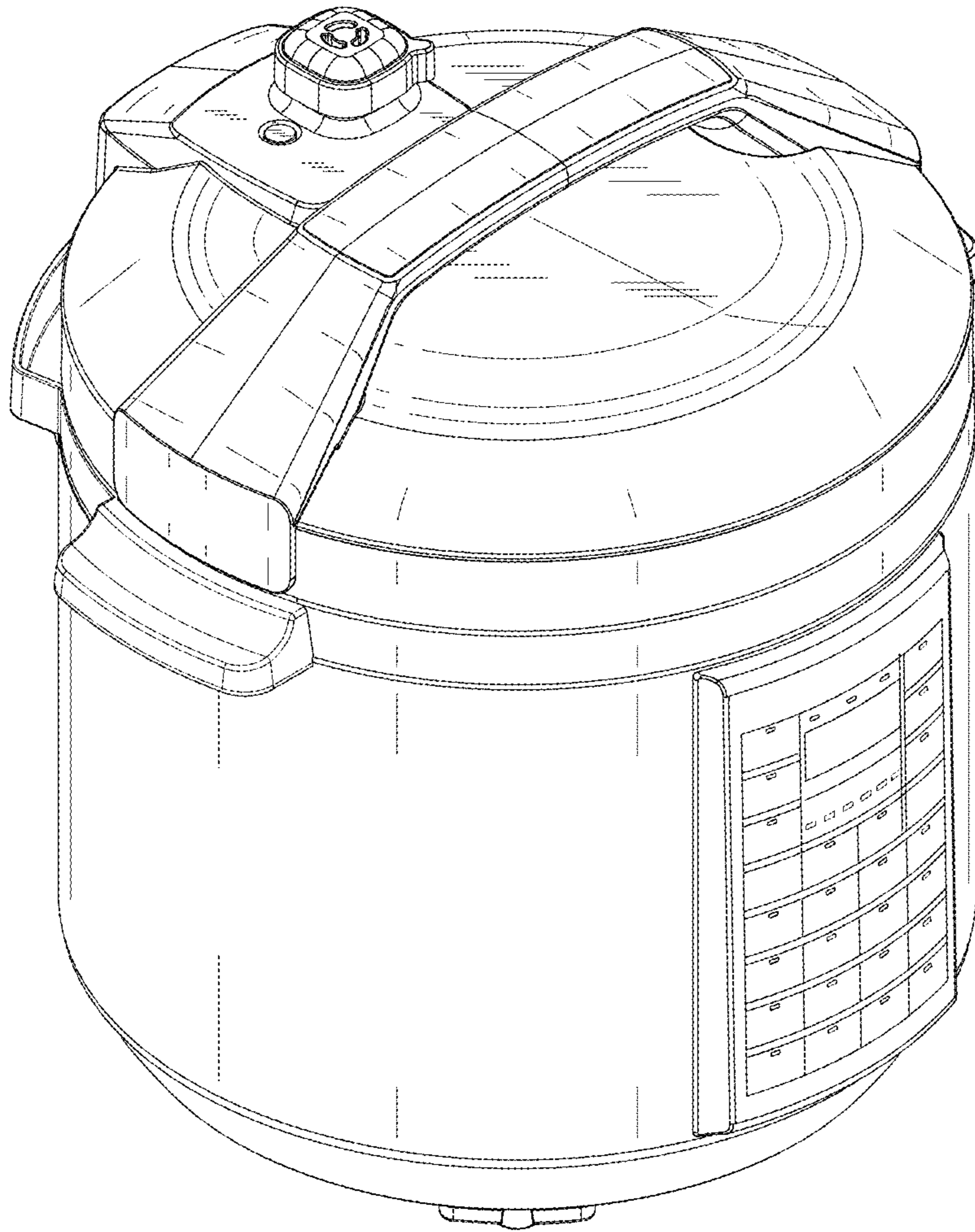


FIG. 1

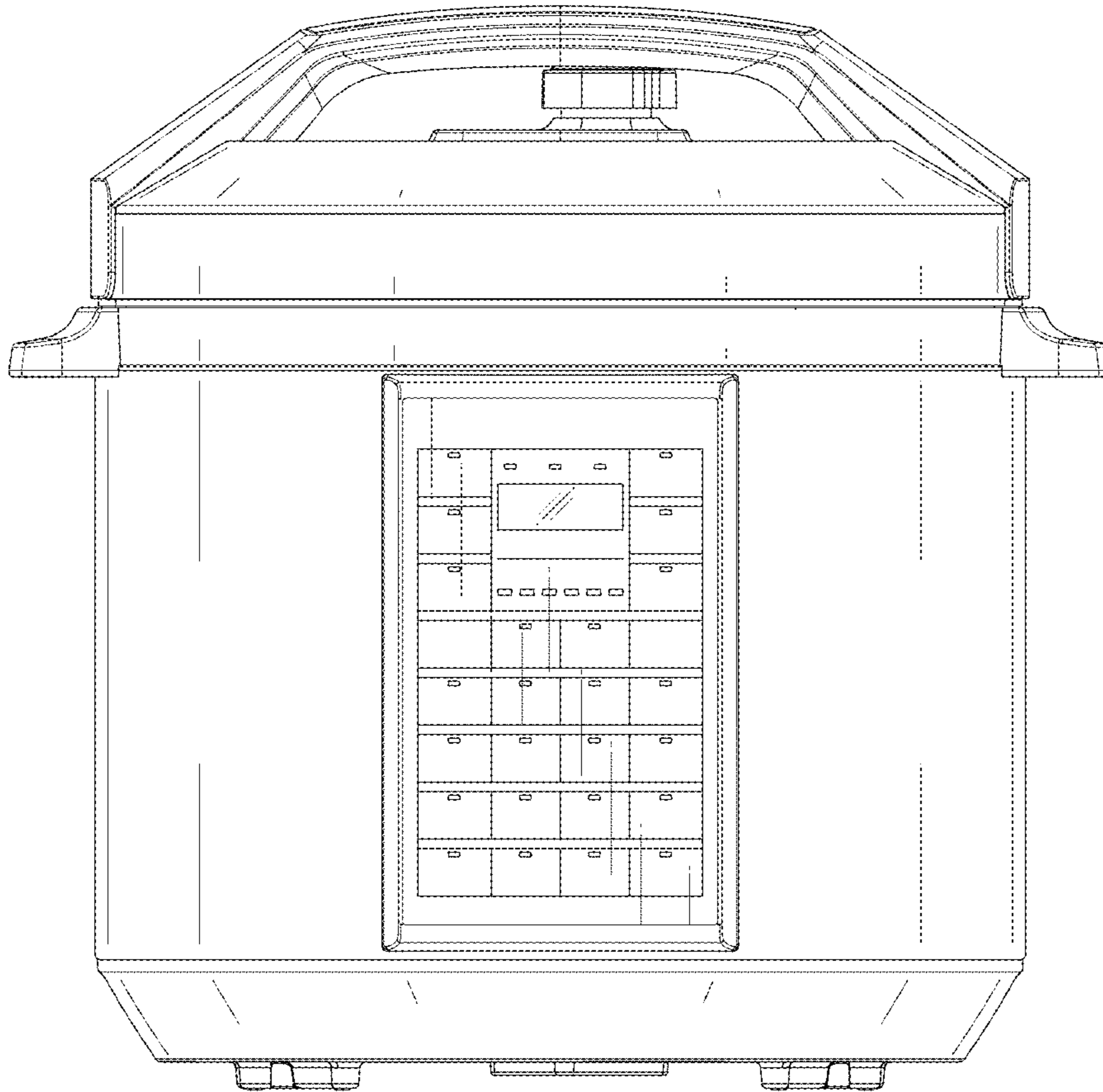


FIG. 2

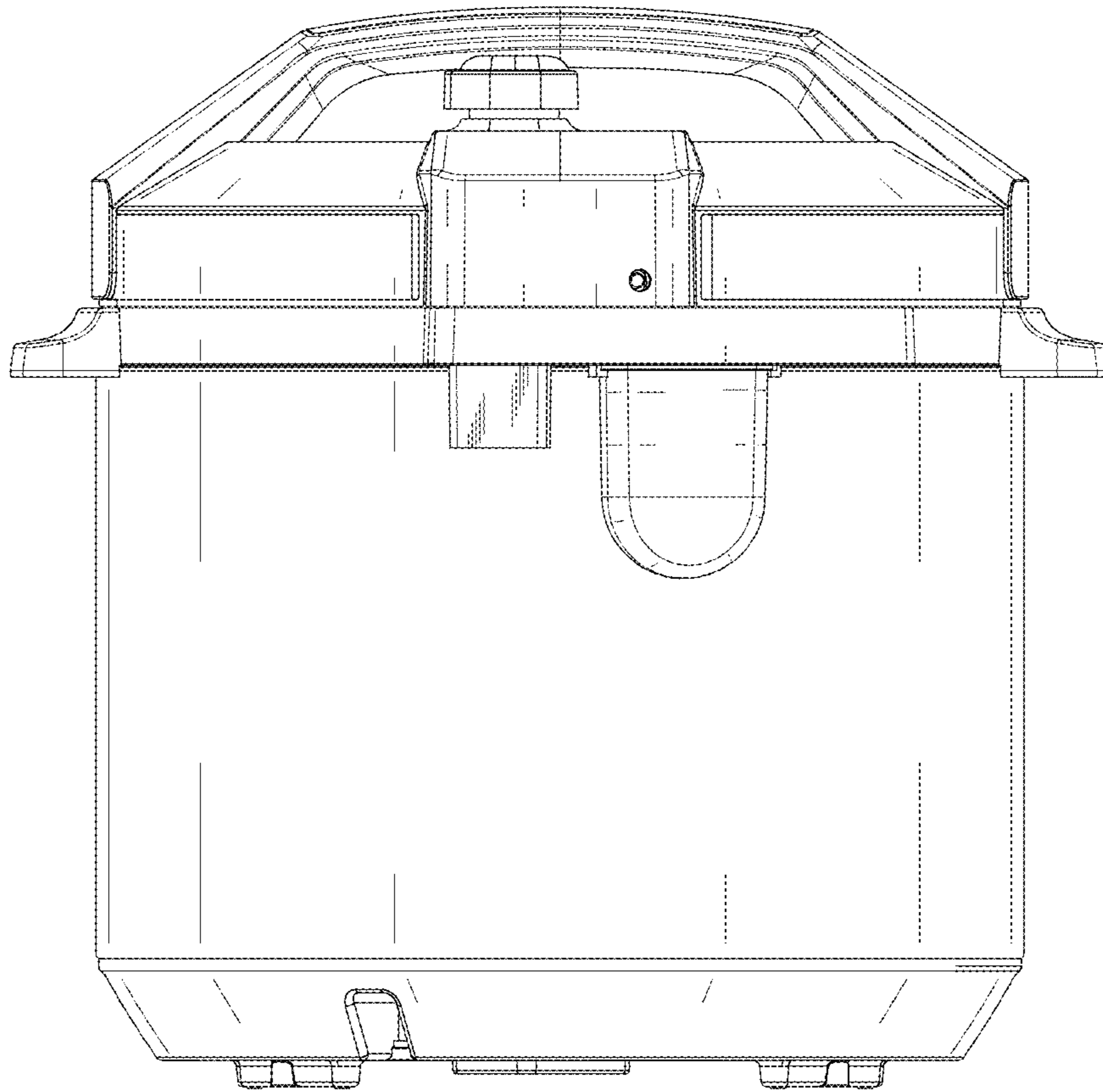


FIG. 3

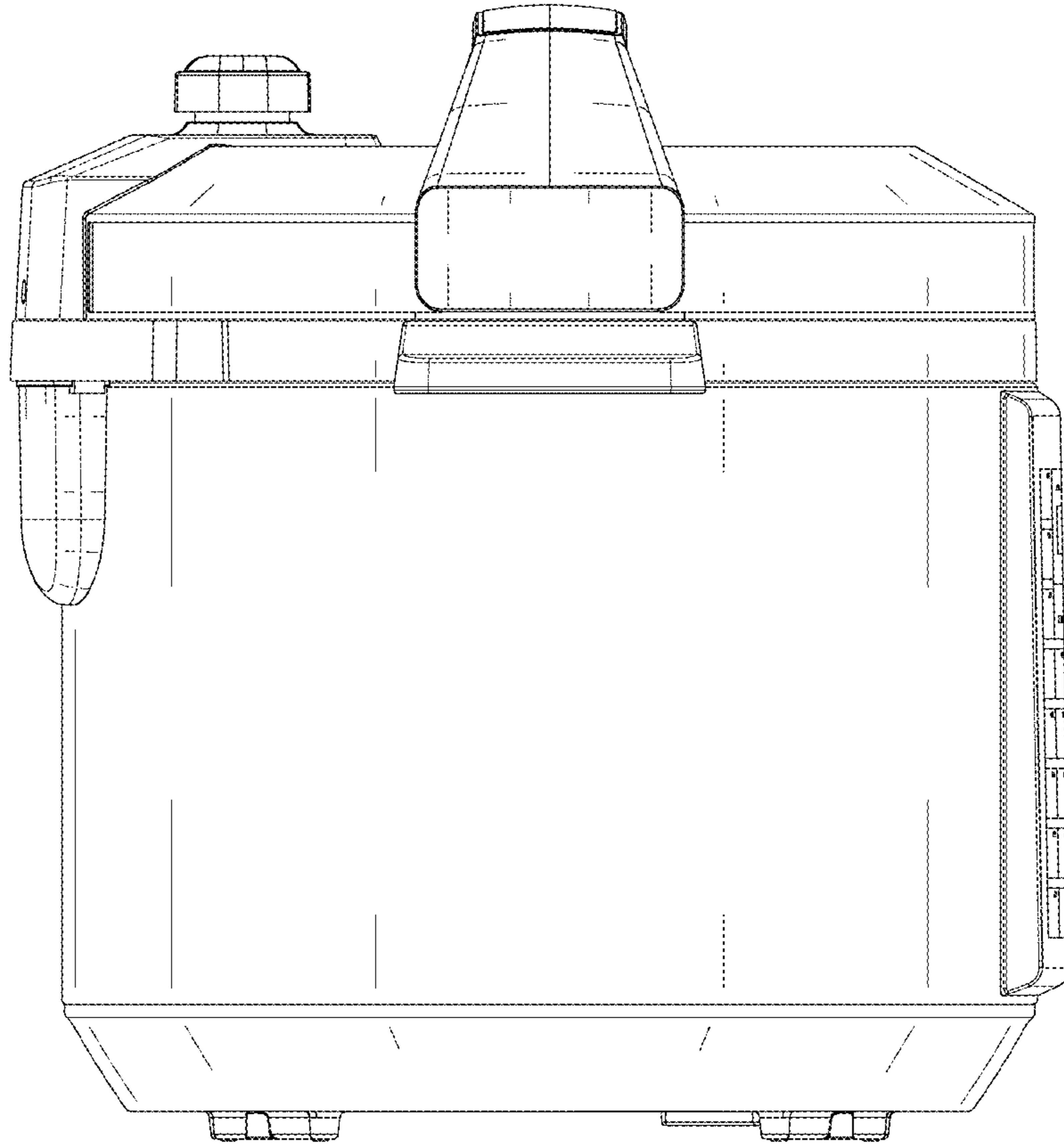


FIG. 4

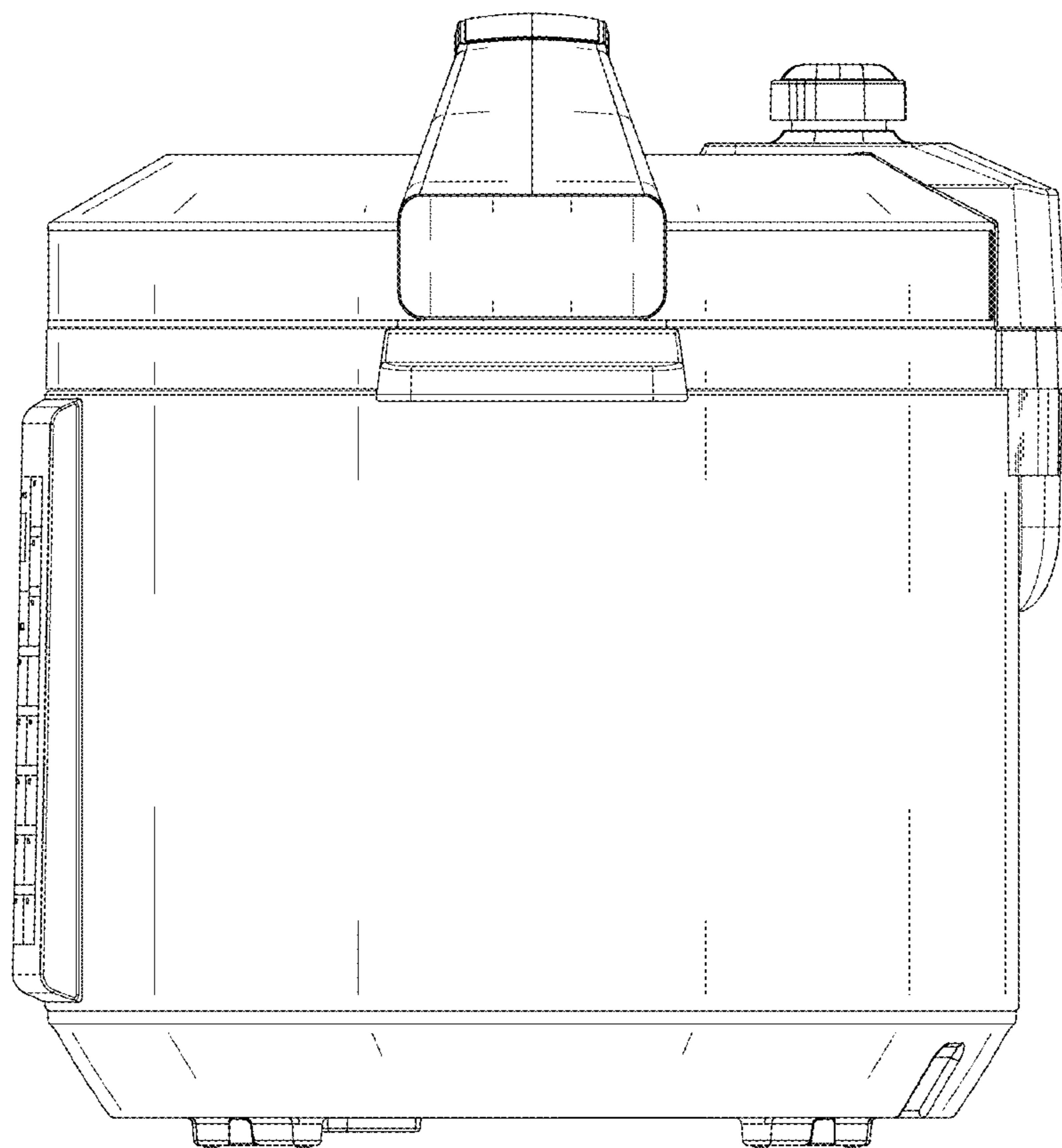


FIG. 5

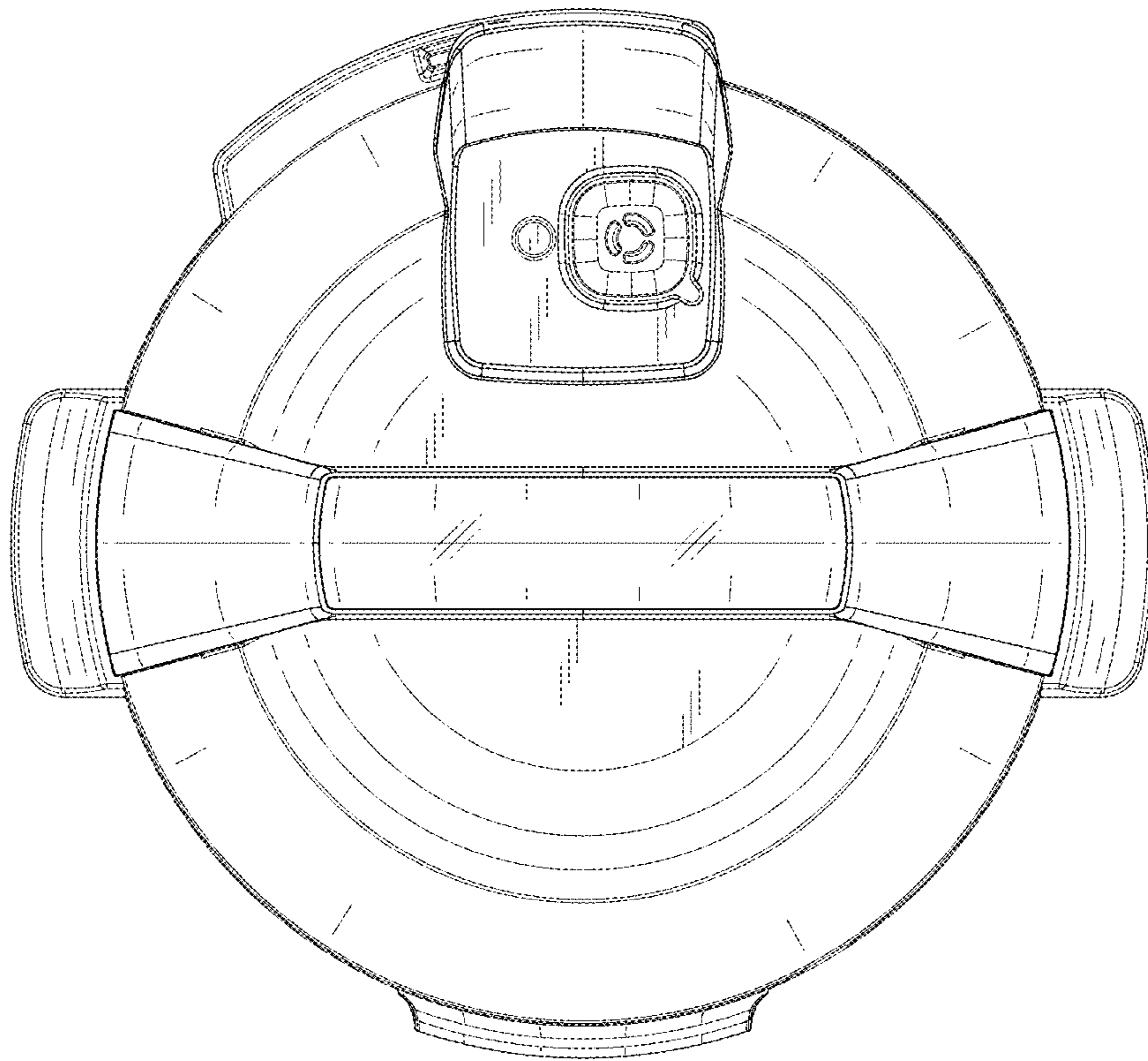


FIG. 6

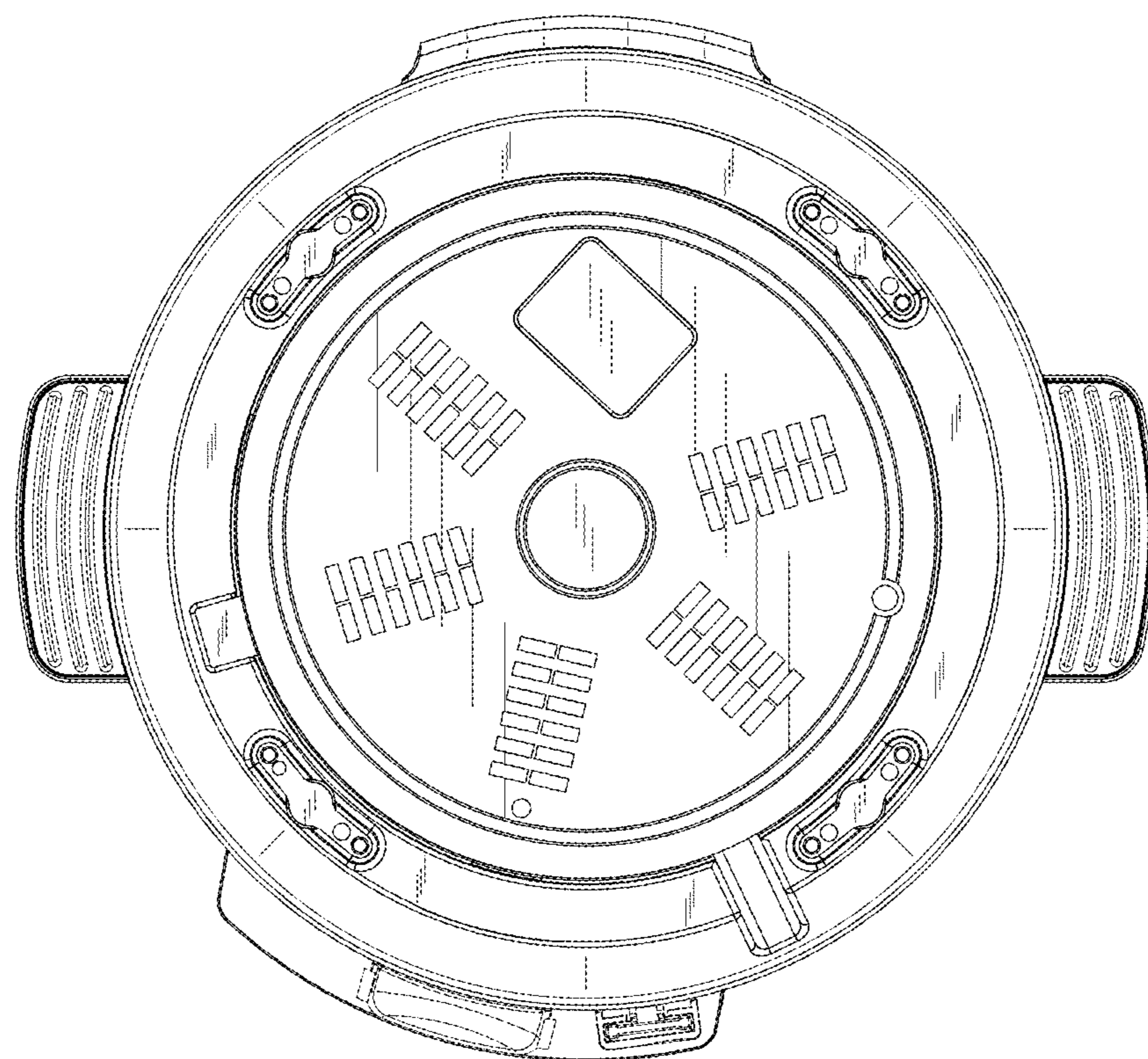


FIG. 7

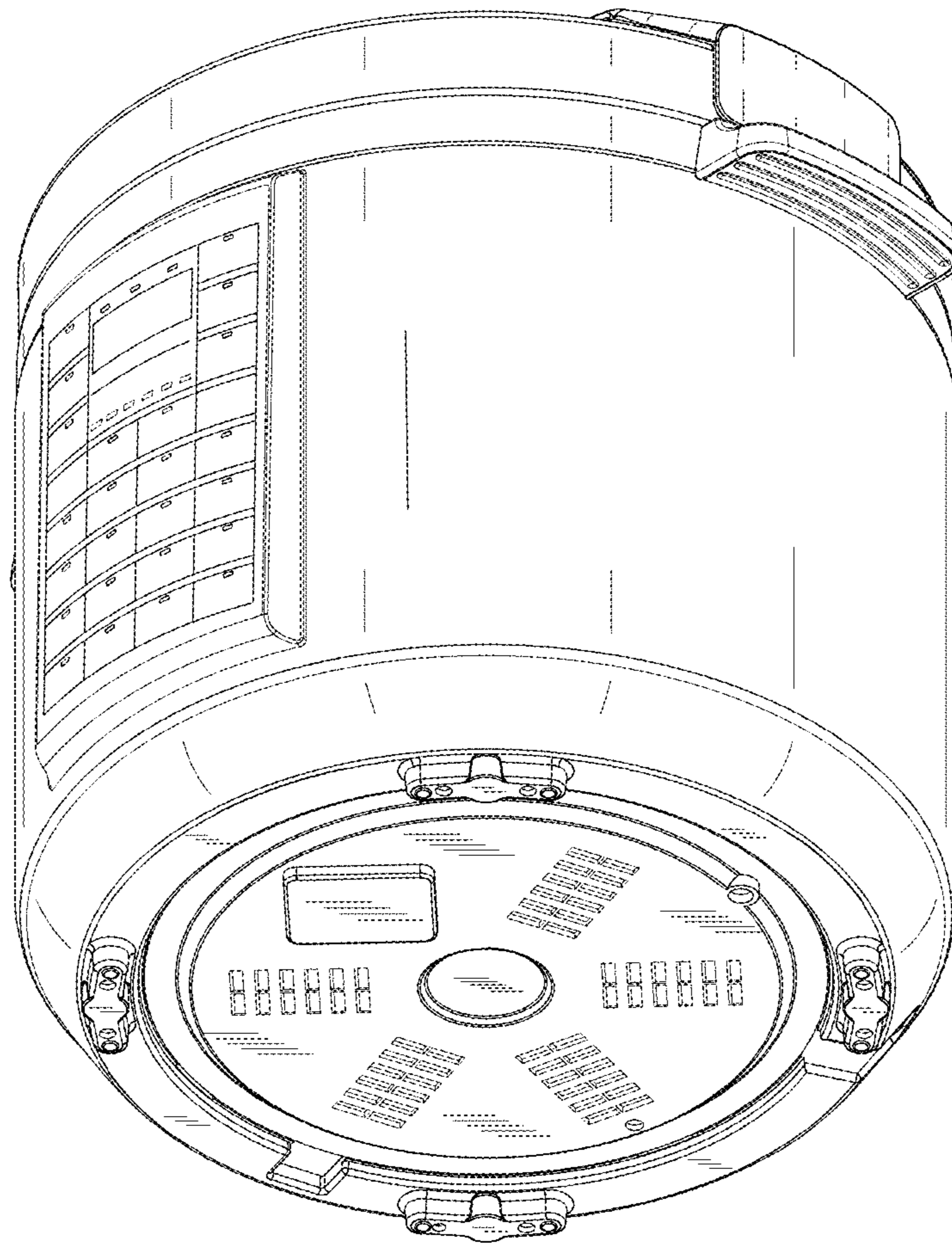


FIG. 8