



US00D846334S

(12) **United States Design Patent**
Gill et al.

(10) **Patent No.:** **US D846,334 S**
(45) **Date of Patent:** **** Apr. 23, 2019**

- (54) **COOKER WITH USER INTERFACE**
- (71) Applicant: **SharkNinja Operating LLC**, Newton, MA (US)
- (72) Inventors: **Aaron Michael Gill**, Brookline, MA (US); **Michael Paul Phillips**, Swampscott, MA (US); **Evan James White**, Brighton, MA (US)
- (73) Assignee: **SHARKNINJA OPERATING LLC**, Needham, MA (US)

7,291,812 B2 * 11/2007 Kaney A47J 27/004
219/432
D556,504 S * 12/2007 Averty D7/360
D568,676 S * 5/2008 Steiner D7/354
(Continued)

FOREIGN PATENT DOCUMENTS

DE 102007031372 A1 1/2009
DE 102009058258 A1 6/2011
EP 2336642 A2 6/2011

OTHER PUBLICATIONS

Notification of Reasons for Rejection issued in Japanese Design Application No. 2018-000551 dated May 11, 2018, 6 pages.
(Continued)

- (**) Term: **15 Years**
- (21) Appl. No.: **29/610,736**
- (22) Filed: **Jul. 14, 2017**
- (51) **LOC (11) Cl.** **07-02**
- (52) **U.S. Cl.**
USPC **D7/357; D7/354**
- (58) **Field of Classification Search**
USPC D7/323, 354-361, 368, 391, 393
CPC A47J 27/00; A47J 27/004; A47J 27/08;
A47J 27/0802; A47J 27/0804; A47J 27/0811;
A47J 27/0813; A47J 27/0815; A47J 27/0817;
A47J 27/084; A47J 27/09; A47J 27/092;
A47J 36/025; A47J 36/06; A47J 37/12;
A47J 37/1204; A47J 37/1209; A47J 45/07; A47J 45/071;
A47J 45/074; A47J 45/08; B01D 2201/345; B01J 3/03;
B01J 3/04; F01P 2011/0247; F01P 2011/0252;
H05B 6/00; H05B 6/02; H05B 6/06
See application file for complete search history.

Primary Examiner — Ricky Pham
(74) *Attorney, Agent, or Firm* — Cantor Colburn LLP

(57) **CLAIM**

The ornamental design for a cooker with user interface, as shown and described.

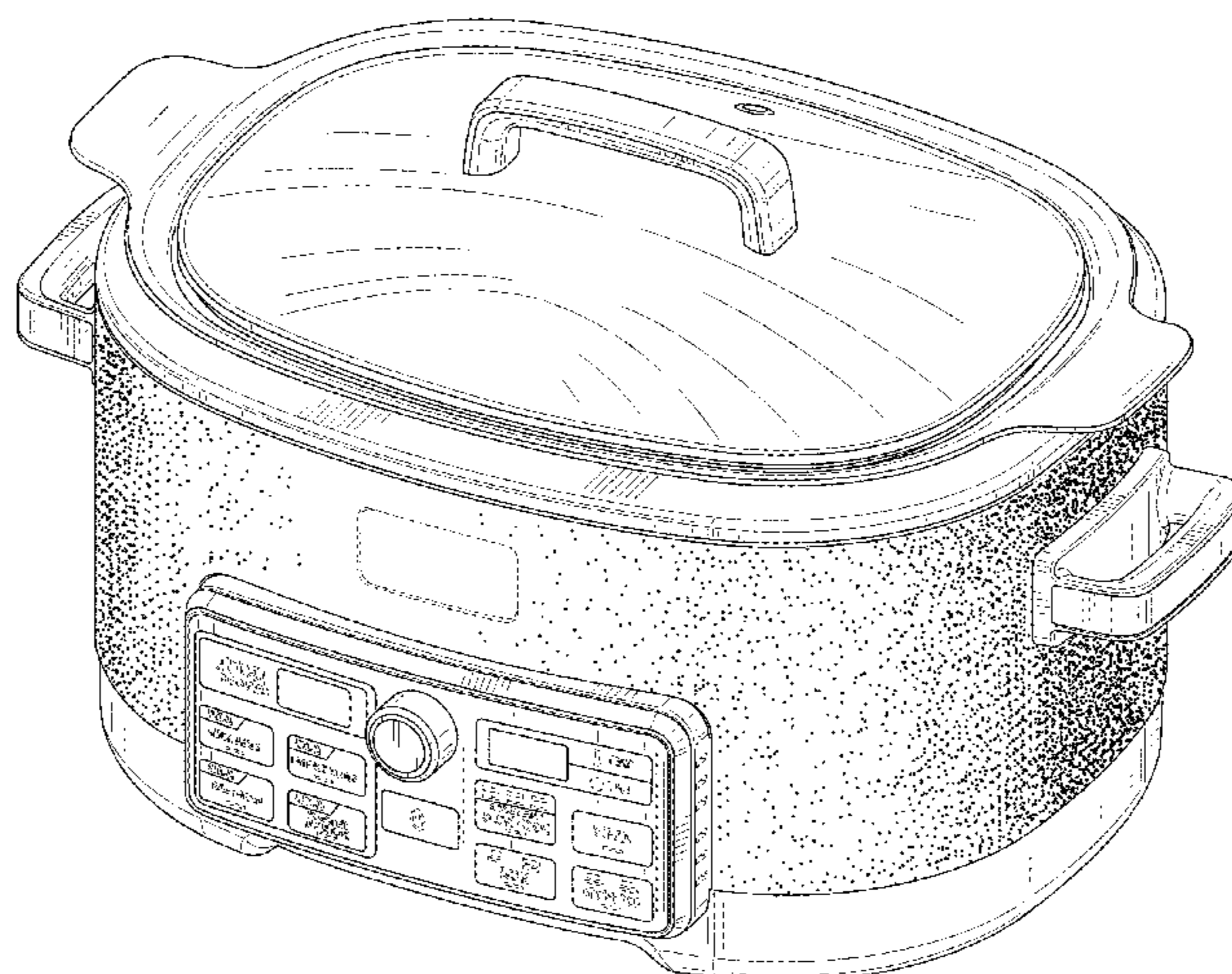
DESCRIPTION

FIG. 1 is a perspective view of a cooker with user interface, showing our new design in a first embodiment;
FIG. 2 is a front view of the embodiment shown in FIG. 1;
FIG. 3 is a back view of the embodiment shown in FIG. 1;
FIG. 4 is side view of the embodiment shown in FIG. 1;
FIG. 5 is another side view of the embodiment shown in FIG. 1;
FIG. 6 is a top view of the embodiment shown in FIG. 1; and,
FIG. 7 is a bottom view of the embodiment shown in FIG. 1.
The broken lines in the figures are for environmental purposes only and form no part of the claimed design.
The stippling shown in the Figures represents a metallic surface.

(56) **References Cited**
U.S. PATENT DOCUMENTS

6,809,301 B1 10/2004 McIntyre et al.
D537,670 S * 3/2007 Genslak D7/354

1 Claim, 7 Drawing Sheets



(56)

References Cited

U.S. PATENT DOCUMENTS

D620,744 S * 8/2010 Rose D7/354
D635,818 S * 4/2011 Tse D7/354
D644,476 S * 9/2011 Gregory D7/354
D646,114 S * 10/2011 Wong A47J 27/004
D7/354
D657,993 S * 4/2012 Pantaleo D7/354
D682,009 S * 5/2013 Day D7/354
D697,363 S 1/2014 Tu
D701,416 S * 3/2014 Day D7/354
D820,631 S * 6/2018 Ye A47J 27/004
D7/357
2007/0210062 A1* 9/2007 Gaynor A47J 27/004
219/442
2010/0147823 A1 6/2010 Anderson et al.
2016/0150915 A1 6/2016 Yu et al.

OTHER PUBLICATIONS

PCT ISR Written Opinion; International Application No. PCT/
US2018/041927; International Filing Date: Jul. 13, 2018; dated Sep.
25, 2018; pp. 1-7.
PCT Notification of Transmittal of The International Search Report;
International Application No. PCT/US2018/041927; International
Filing Date: Jul. 13, 2018; dated Sep. 25, 2018; pp. 1-6.

* cited by examiner

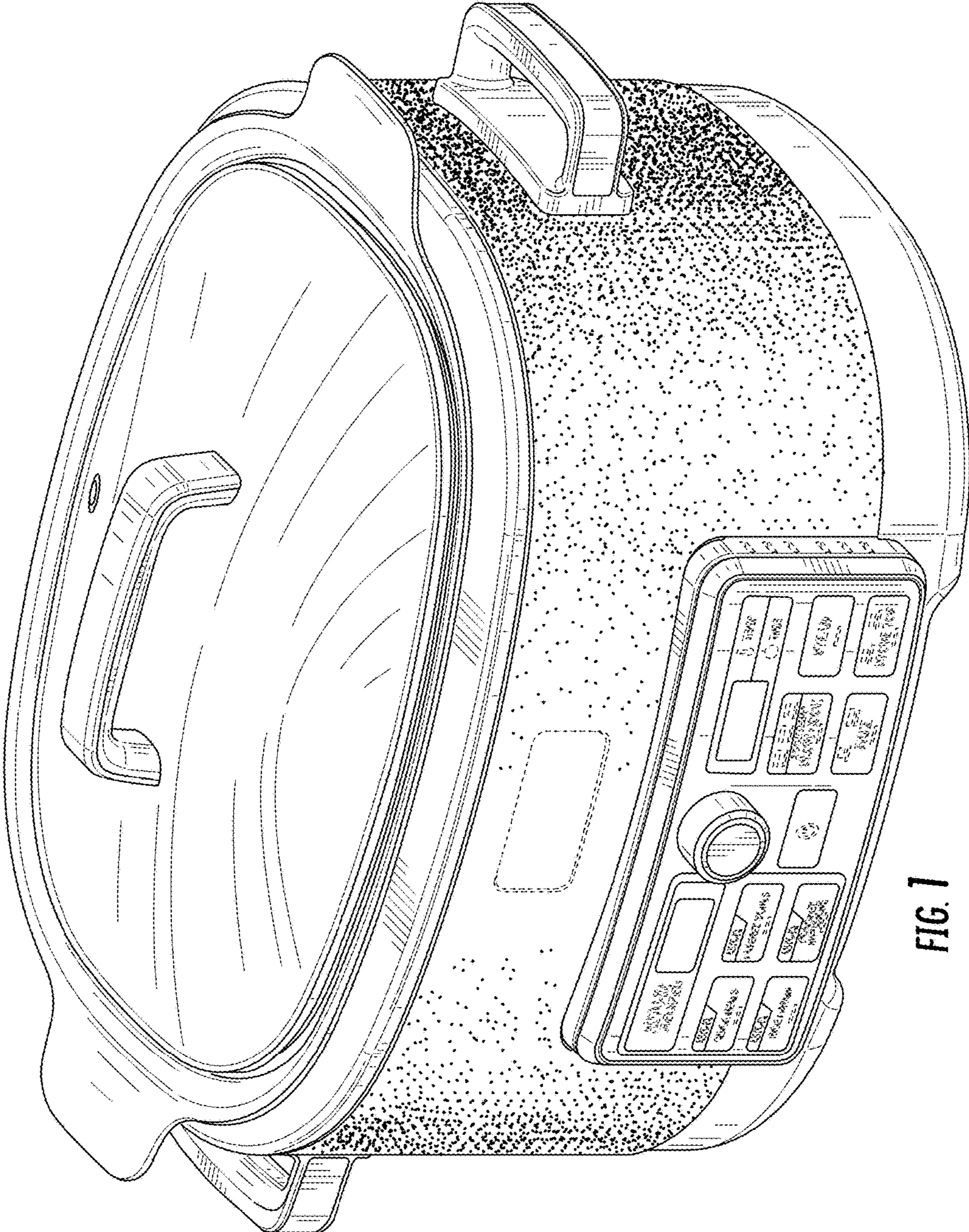


FIG. 1

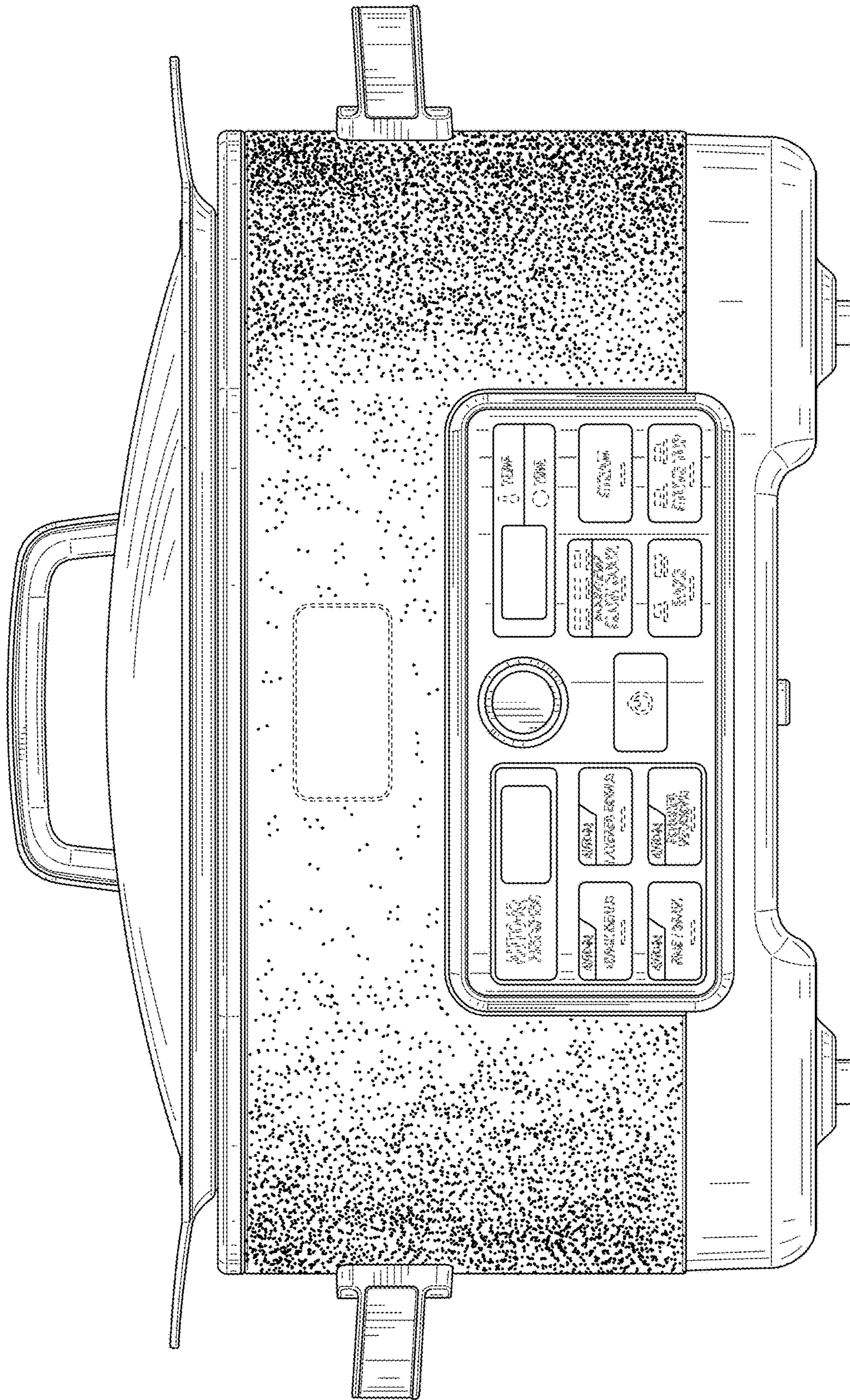


FIG. 2

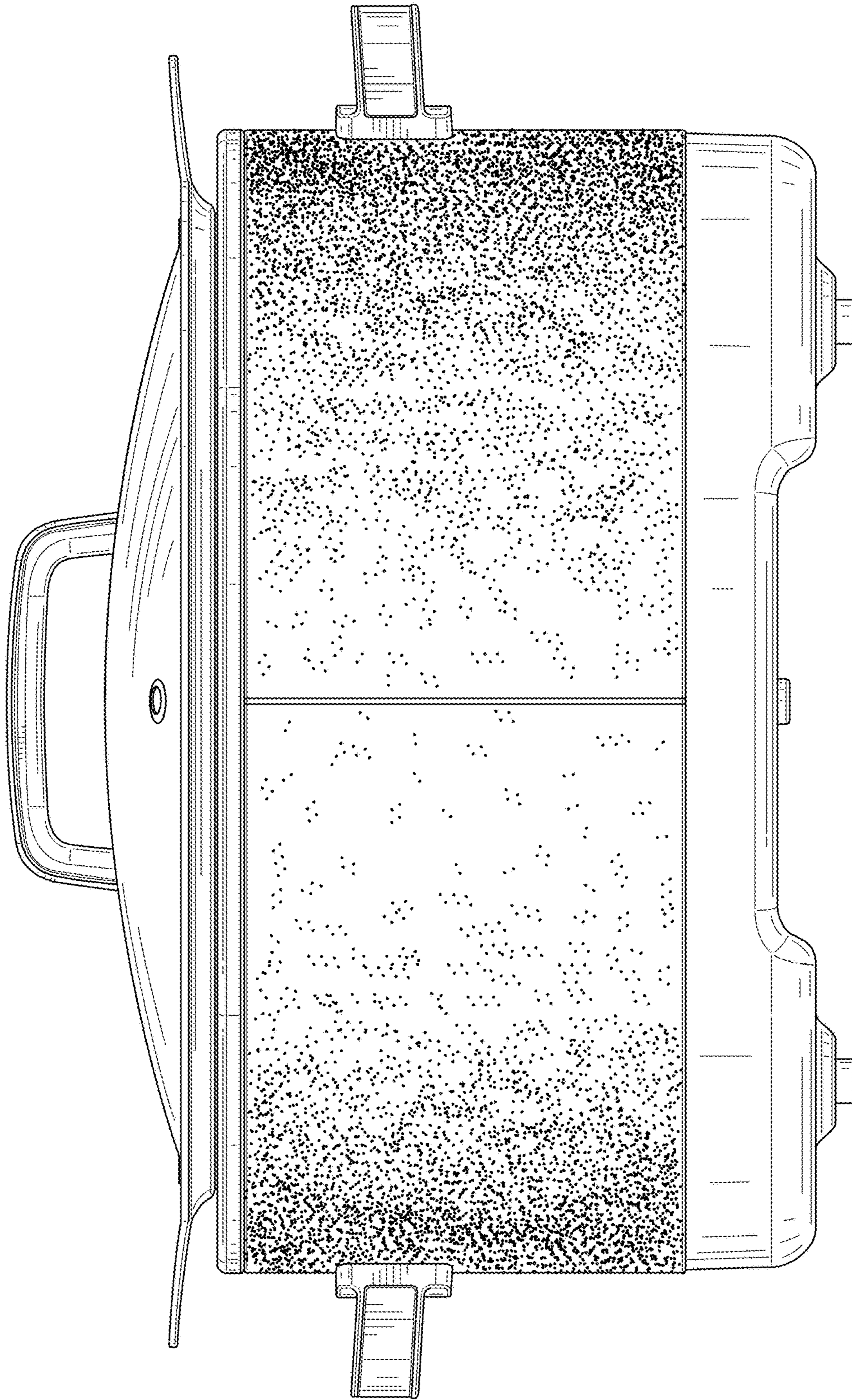


FIG. 3

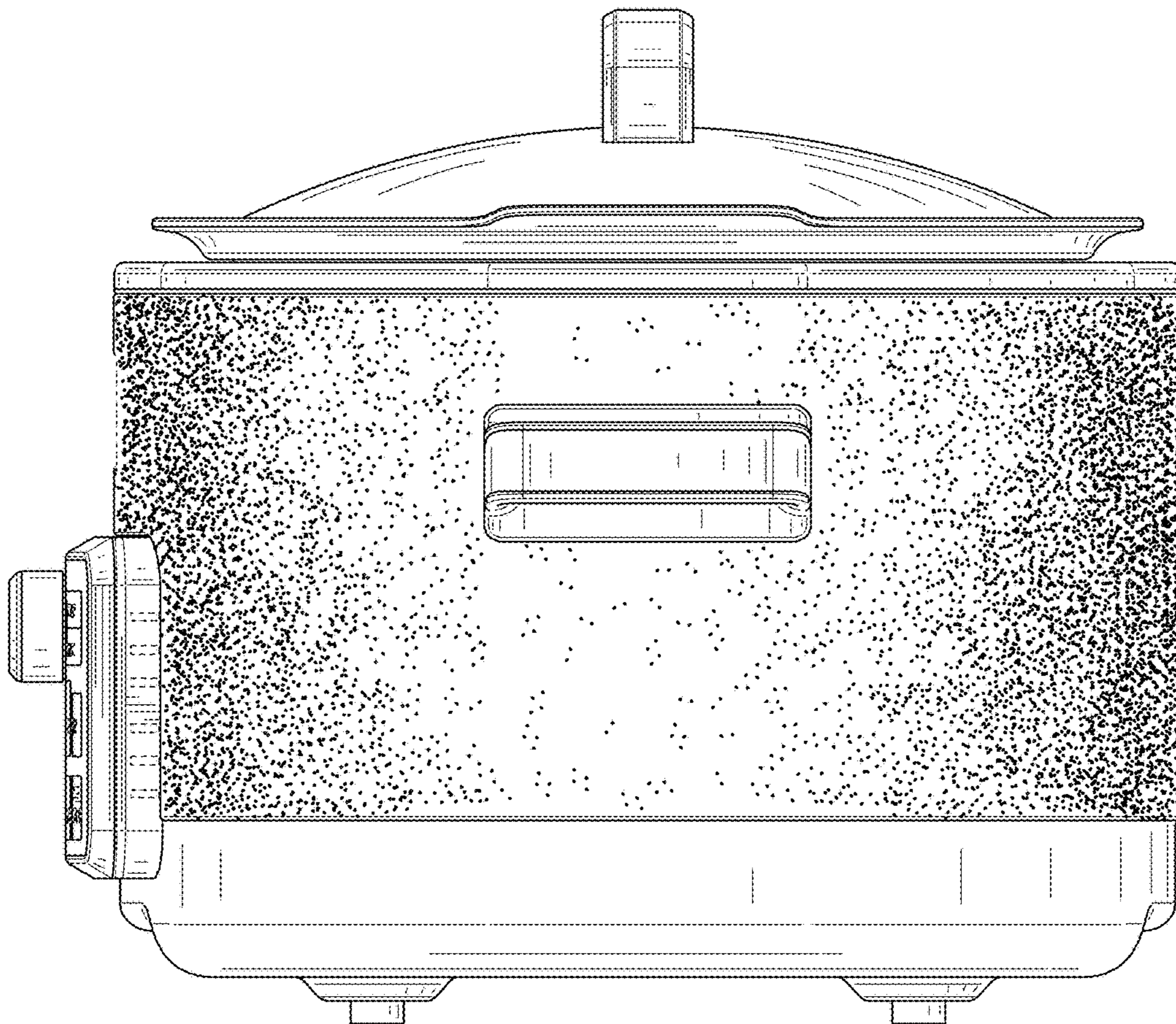


FIG. 4

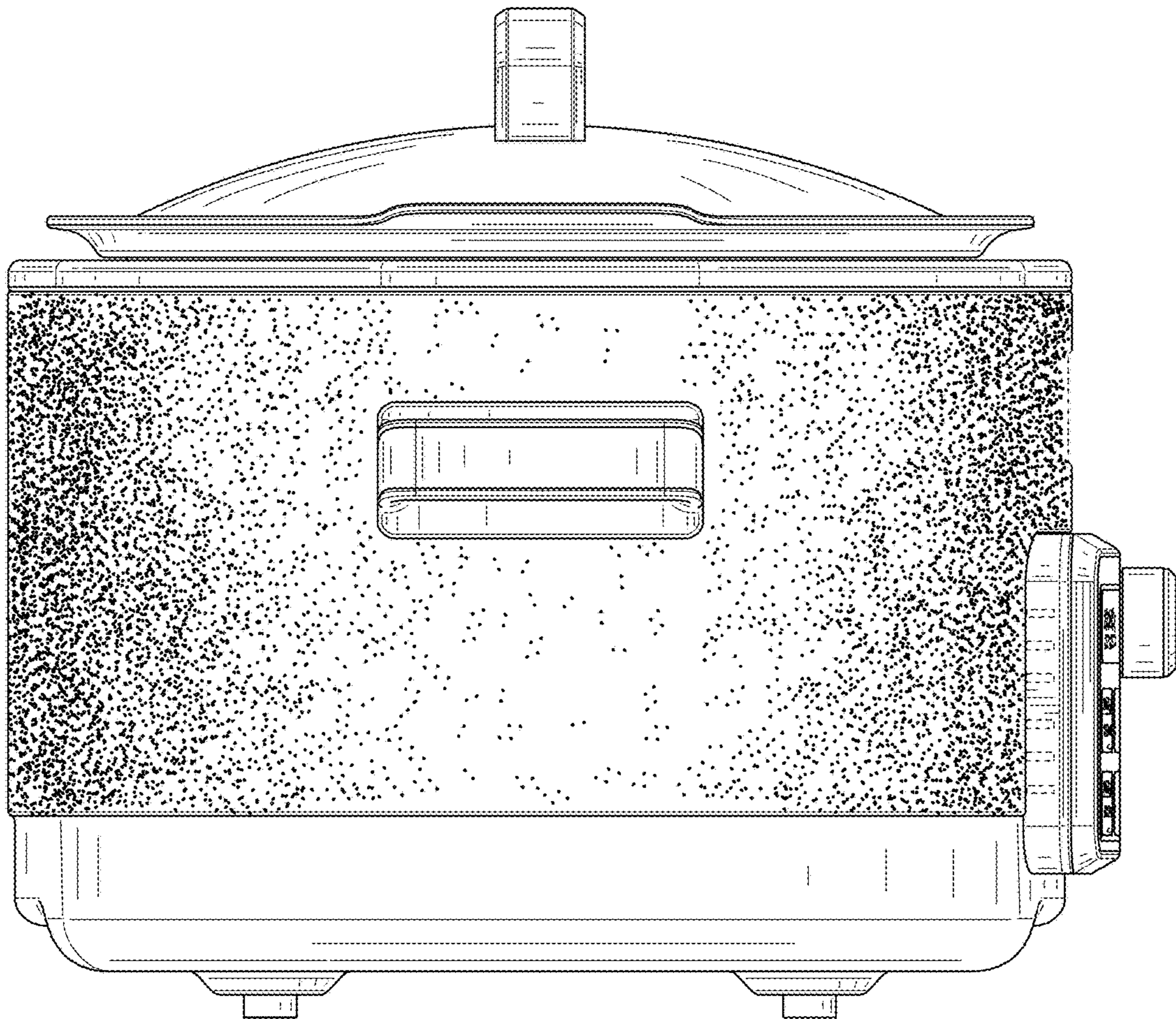


FIG. 5

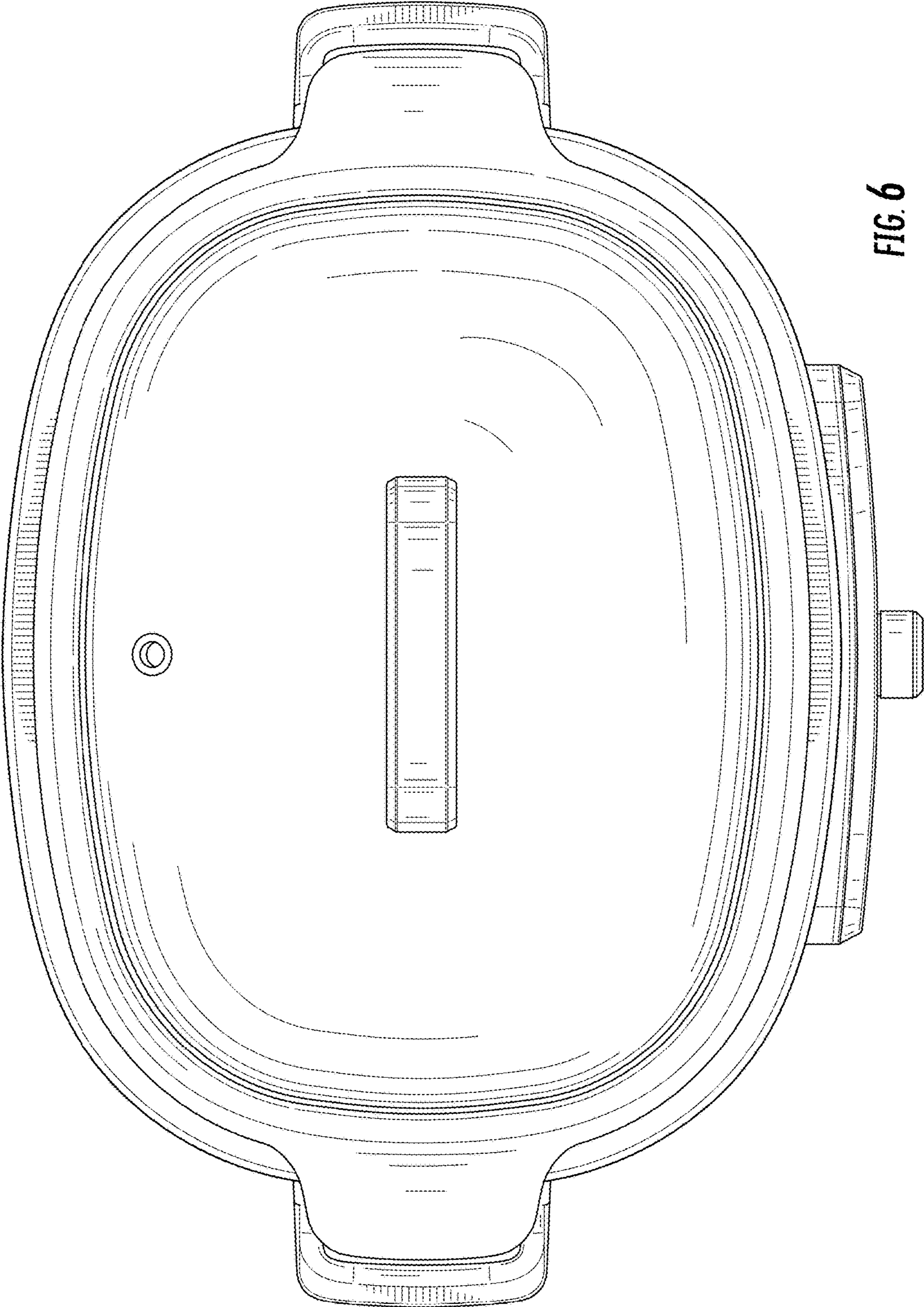


FIG. 6

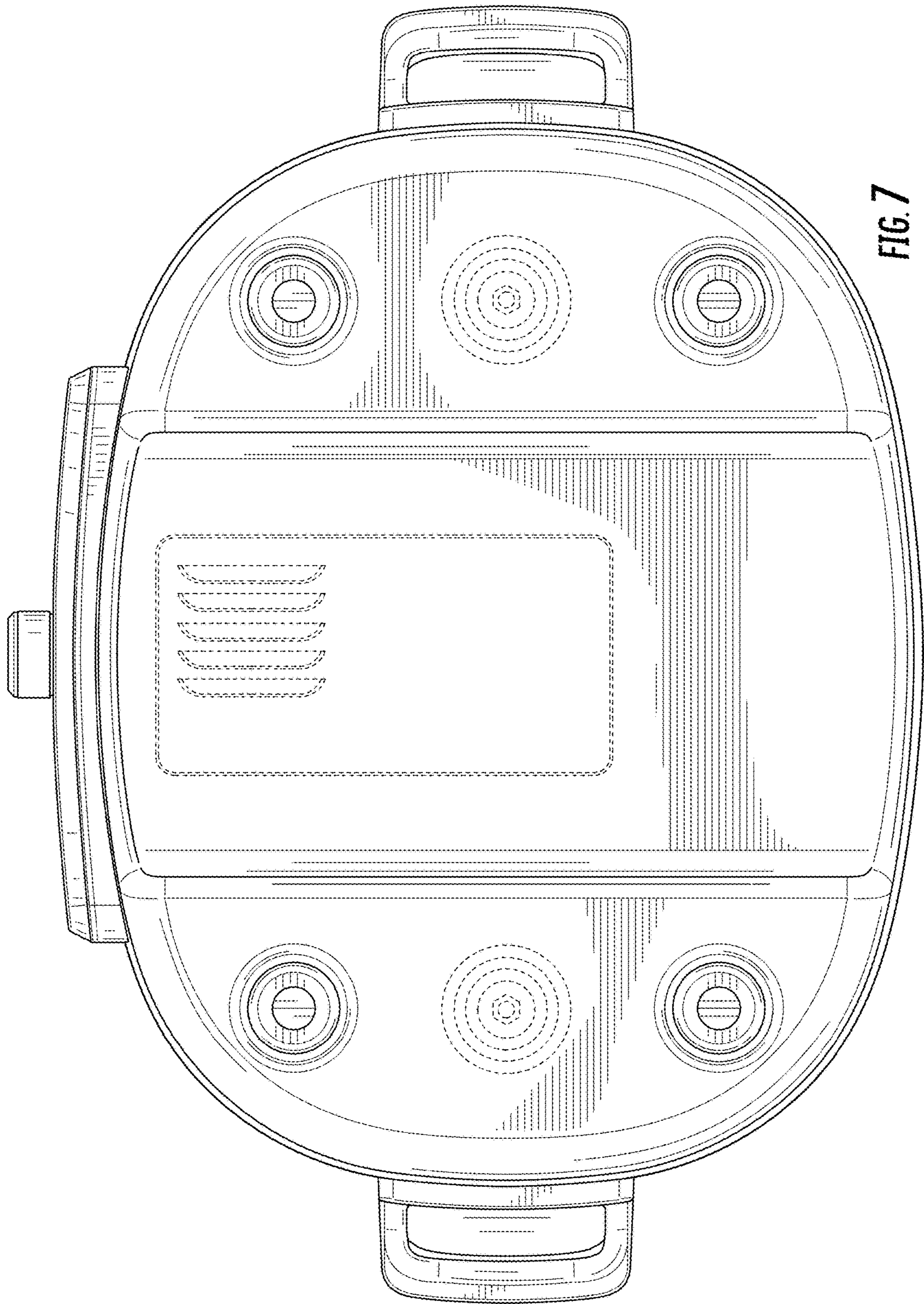


FIG. 7