

US00D846332S

(12) **United States Design Patent** (10) **Patent No.:** **US D846,332 S**
Gill et al. (45) **Date of Patent:** **** Apr. 23, 2019**

(54) **COOKER WITH USER INTERFACE**
(71) Applicant: **SharkNinja Operating LLC**, Newton, MA (US)
(72) Inventors: **Aaron Michael Gill**, Brookline, MA (US); **Michael Paul Phillips**, Swampscott, MA (US); **Evan James White**, Brighton, MA (US)
(73) Assignee: **SHARKNINJA OPERATING LLC**, Needham, MA (US)

7,291,812 B2 * 11/2007 Kaney A47J 27/004
219/432
D556,504 S * 12/2007 Averty D7/360
D568,676 S * 5/2008 Steiner D7/354
D620,744 S * 8/2010 Rose D7/354
D635,818 S * 4/2011 Tse D7/354

(Continued)

FOREIGN PATENT DOCUMENTS

DE 102007031372 A1 1/2009
DE 102009058258 A1 6/2011
EP 2336642 A2 6/2011

OTHER PUBLICATIONS

Notification of Reasons for Rejection issued in Japanese Design Application No. 2018-000551 dated May 11, 2018, 6 pages.

(Continued)

Primary Examiner — Ricky Pham

(74) *Attorney, Agent, or Firm* — Cantor Colburn LLP

(57) **CLAIM**

The ornamental design for a cooker with user interface, as shown and described.

DESCRIPTION

FIG. 1 is a perspective view of a cooker with user interface, showing our new design in a first embodiment;
FIG. 2 is a front view of the embodiment shown in FIG. 1;
FIG. 3 is a back view of the embodiment shown in FIG. 1;
FIG. 4 is side view of the embodiment shown in FIG. 1;
FIG. 5 is another side view of the embodiment shown in FIG. 1;
FIG. 6 is a top view of the embodiment shown in FIG. 1;
and,
FIG. 7 is a bottom view of the embodiment shown in FIG. 1.

The broken lines in the figures are for environmental purposes only and form no part of the claimed design.

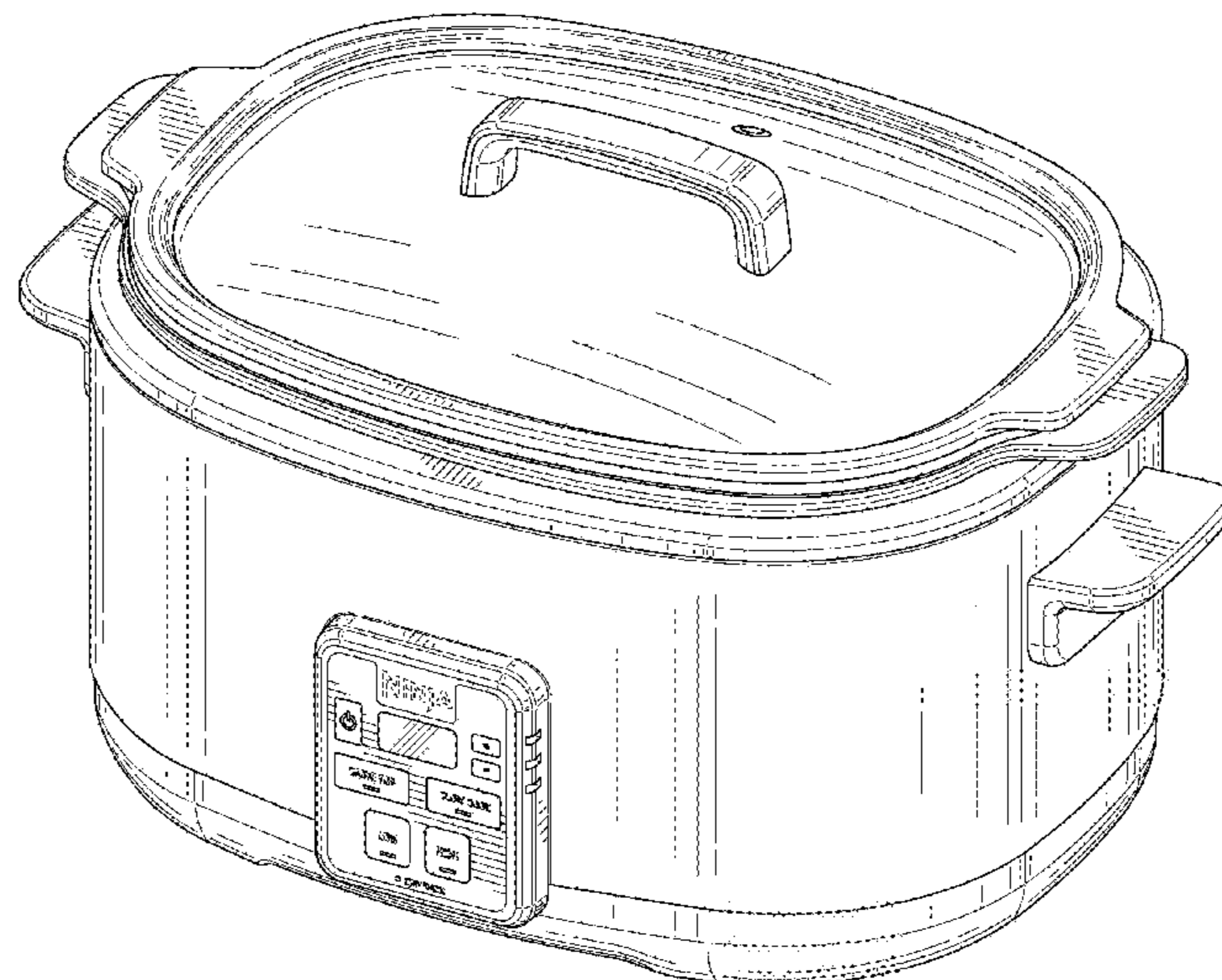
1 Claim, 7 Drawing Sheets

(**) Term: **15 Years**
(21) Appl. No.: **29/610,725**
(22) Filed: **Jul. 14, 2017**
(51) **LOC (11) Cl.** **07-02**
(52) **U.S. Cl.**
USPC **D7/357; D7/354**
(58) **Field of Classification Search**
USPC D7/323, 354-361, 368, 391, 393
CPC A47J 27/00; A47J 27/004; A47J 27/08;
A47J 27/0802; A47J 27/0804; A47J
27/0811; A47J 27/0813; A47J 27/0815;
A47J 27/0817; A47J 27/084; A47J 27/09;
A47J 27/092; A47J 36/025; A47J 36/06;
A47J 37/12; A47J 37/1204; A47J
37/1209; A47J 45/07; A47J 45/071; A47J
45/074; A47J 45/08; B01D 2201/345;
B01J 3/03; B01J 3/04; F01P 2011/0247;
F01P 2011/0252; H05B 6/00; H05B 6/02;
H05B 6/06
See application file for complete search history.

(56) **References Cited**

U.S. PATENT DOCUMENTS

6,809,301 B1 10/2004 McIntyre et al.
D537,670 S * 3/2007 Genslak D7/354



(56)

References Cited

U.S. PATENT DOCUMENTS

D644,476 S * 9/2011 Gregory D7/354
D646,114 S * 10/2011 Wong A47J 27/004
D7/354
D657,993 S * 4/2012 Pantaleo D7/354
D682,009 S * 5/2013 Day D7/354
D697,363 S 1/2014 Tu
D701,416 S * 3/2014 Day D7/354
D820,631 S * 6/2018 Ye A47J 27/004
D7/357
2007/0210062 A1* 9/2007 Gaynor A47J 27/004
219/442
2010/0147823 A1 6/2010 Anderson et al.
2016/0150915 A1 6/2016 Yu et al.

OTHER PUBLICATIONS

PCT ISR Written Opinion; International Application No. PCT/
US2018/041927; International Filing Date: Jul. 13, 2018; dated Sep.
25, 2018; pp. 1-7.

PCT Notification of Transmittal of The International Search Report;
International Application No. PCT/US2018/041927; International
Filing Date: Jul. 13, 2018; dated Sep. 25, 2018; pp. 1-6.

* cited by examiner

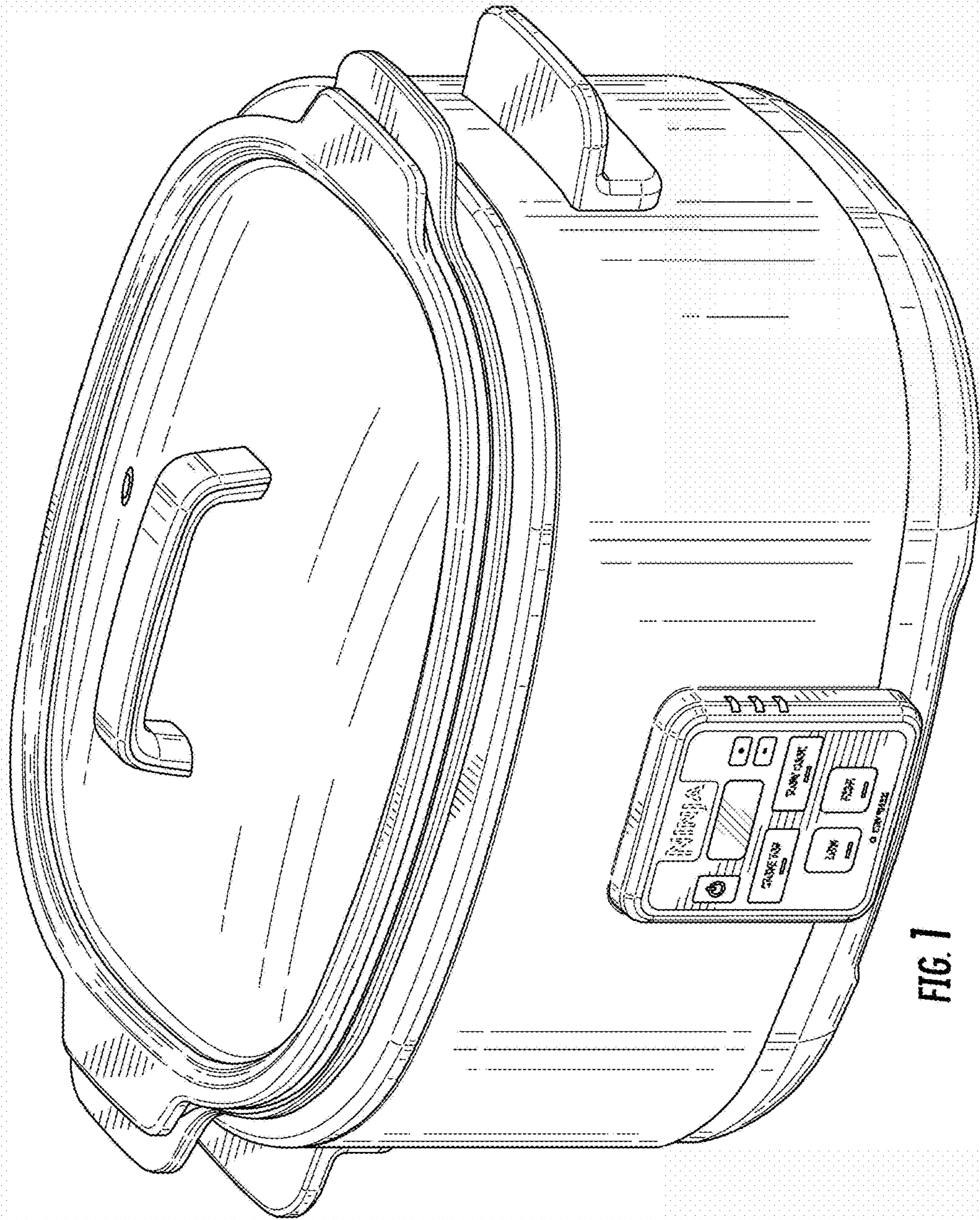


FIG. 1

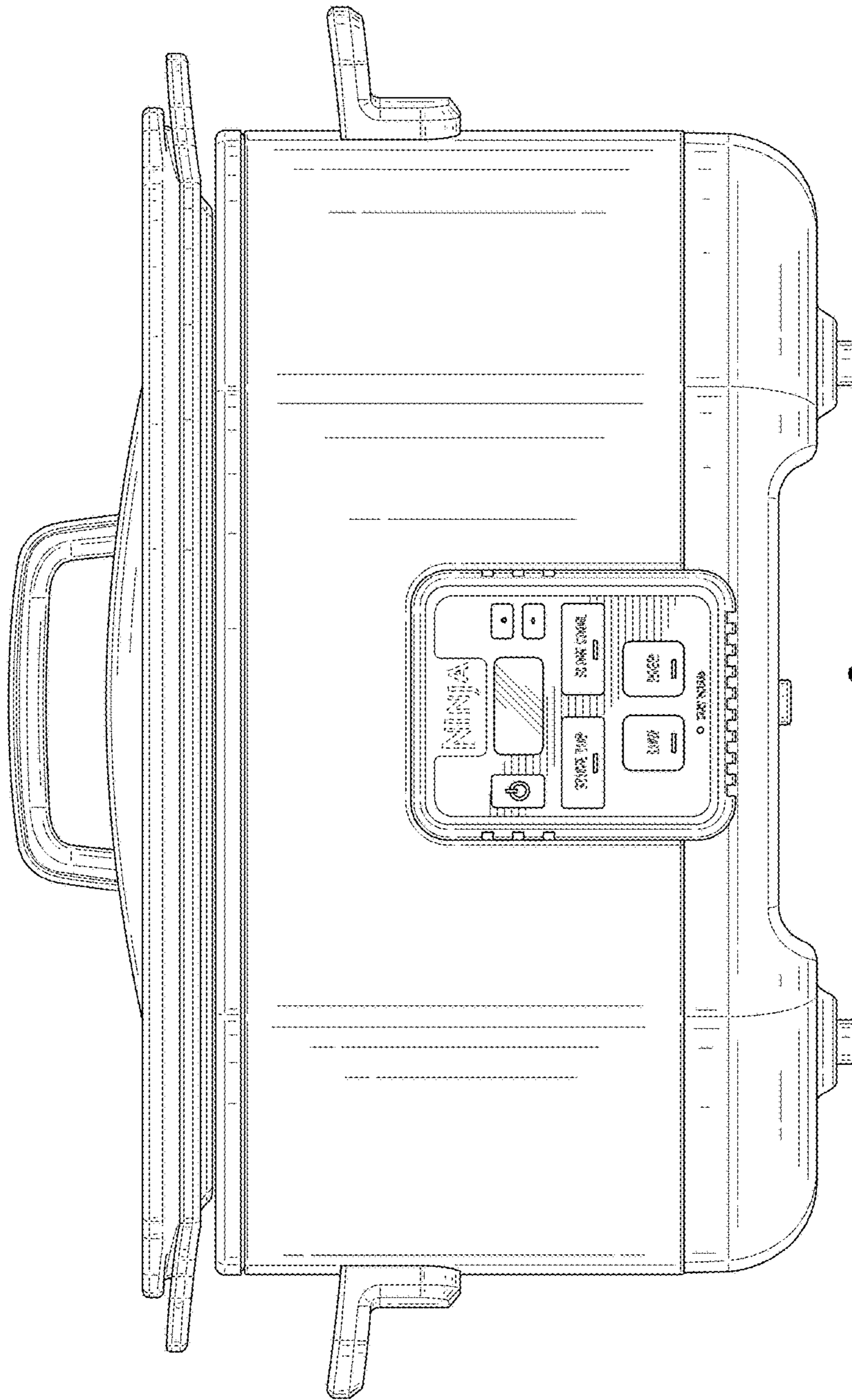


FIG. 2

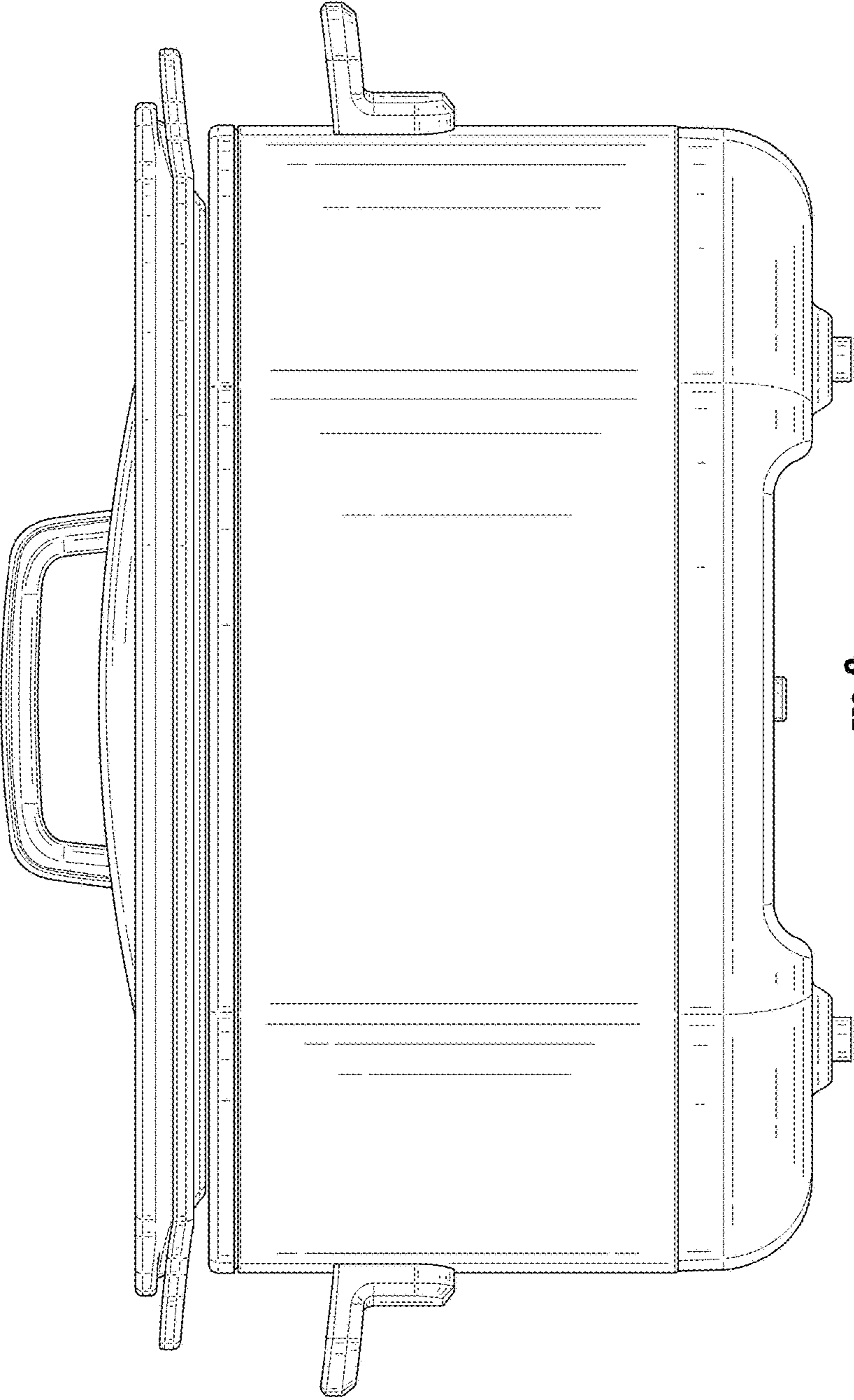


FIG. 3

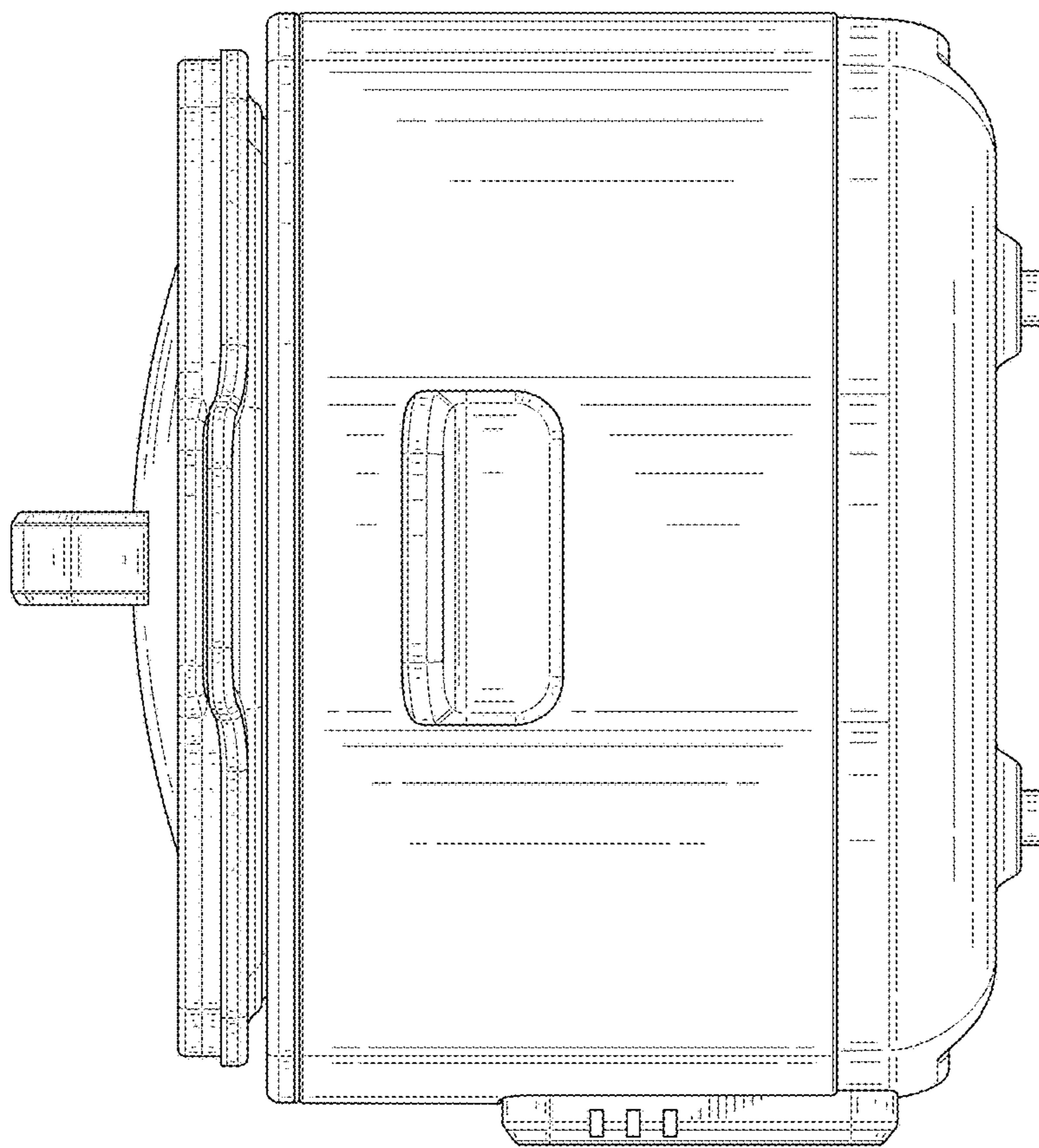


FIG. 4

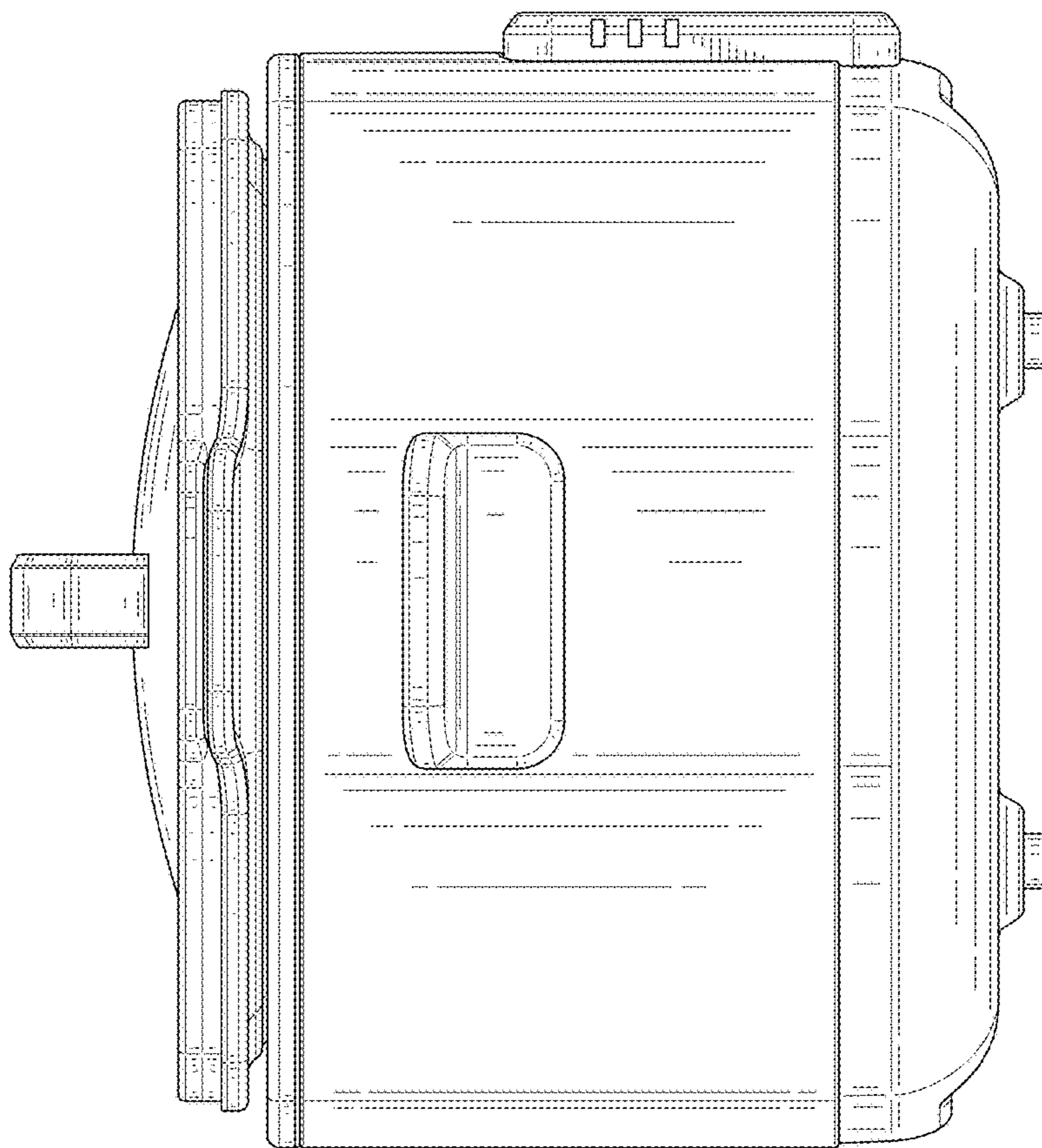


FIG. 5

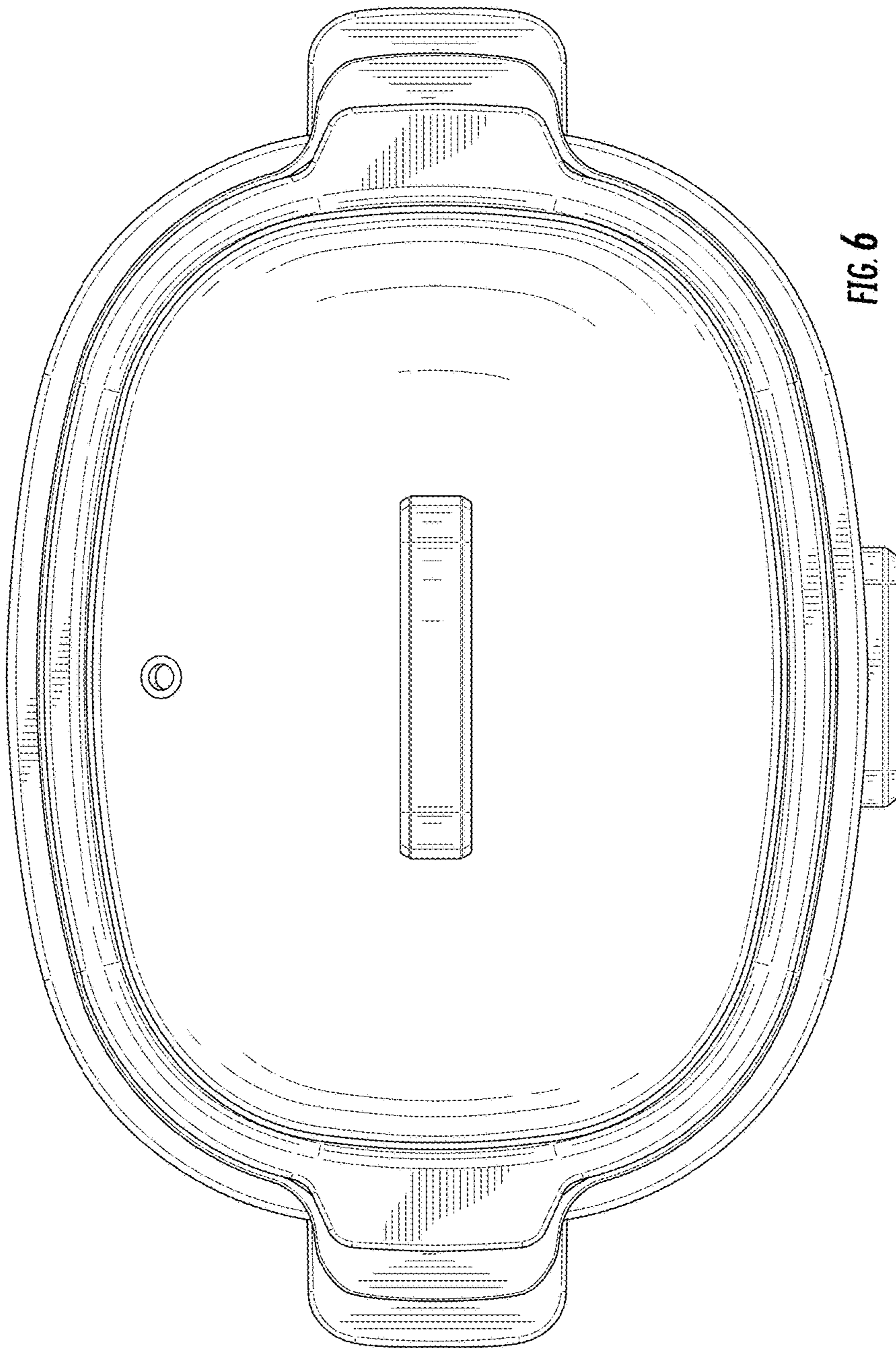


FIG. 6

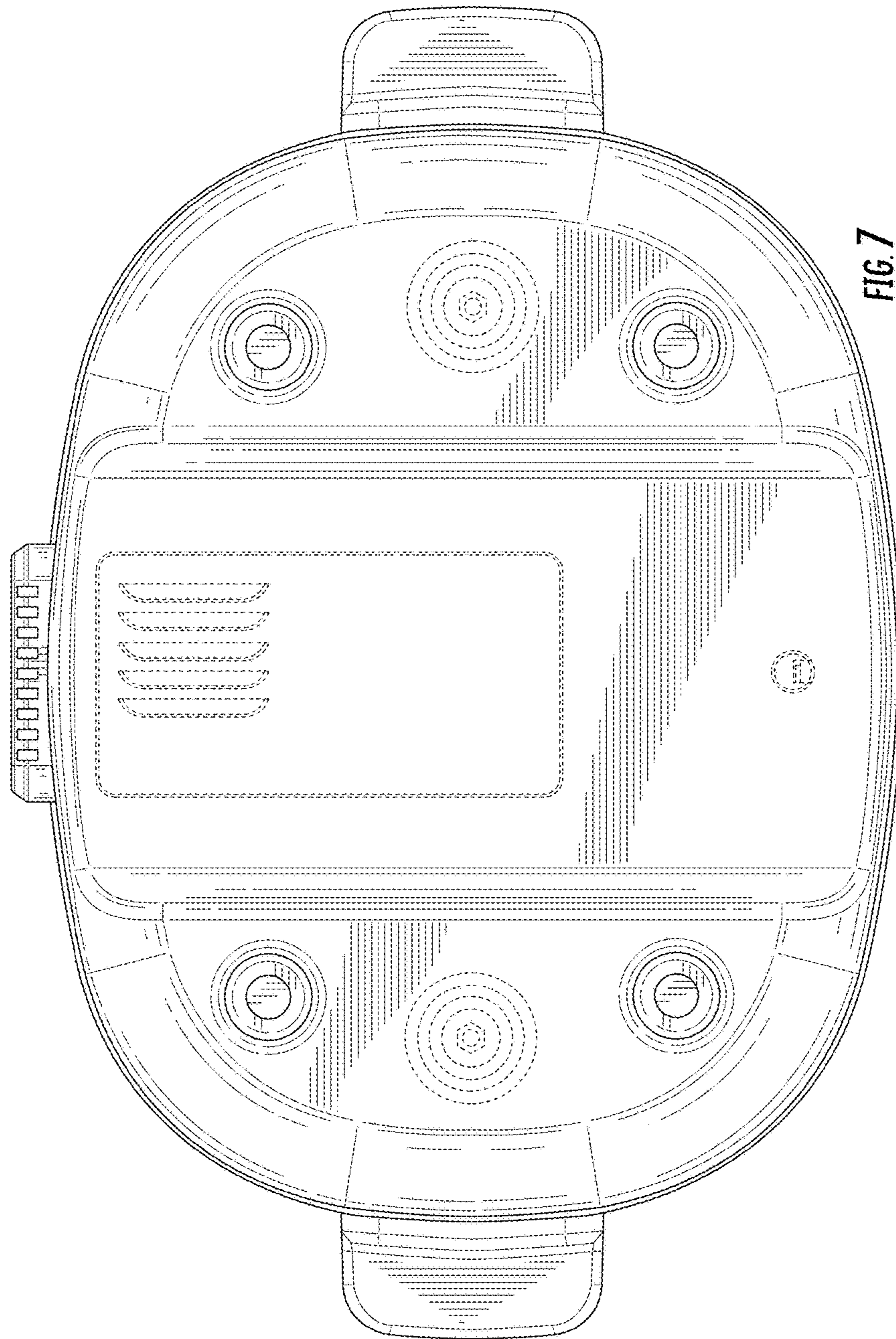


FIG. 7