

US00D846331S

(12) **United States Design Patent**
Jeon et al.

(10) **Patent No.:** **US D846,331 S**

(45) **Date of Patent:** **** Apr. 23, 2019**

(54) **ELECTRIC OVEN**

(71) Applicant: **Samsung Electronics Co., Ltd.**,
Suwon-si (KR)

(72) Inventors: **Jongsu Jeon**, Seongnam-si (KR);
Jaejun Kim, Seoul (KR); **Hyeongju Seo**, Seoul (KR); **Hwanwoong Choi**,
Seoul (KR)

(73) Assignee: **SAMSUNG ELECTRONICS CO., LTD.**, Gyeonggi-Do (KR)

(**) Term: **15 Years**

(21) Appl. No.: **29/601,604**

(22) Filed: **Apr. 24, 2017**

(30) **Foreign Application Priority Data**

Oct. 25, 2016 (KR) 30-2016-0051159

(51) **LOC (11) Cl.** **07-02**

(52) **U.S. Cl.**
USPC **D7/349**

(58) **Field of Classification Search**
USPC D7/348-349, 350.1-350.4, 351, 402
CPC F24C 15/024; F24C 15/162; F24C 15/022;
F24C 15/00

See application file for complete search history.

(56) **References Cited**

U.S. PATENT DOCUMENTS

D538,592 S * 3/2007 McKenzie D7/402
D539,593 S * 4/2007 Wang D7/350.4
D540,104 S * 4/2007 Jeon D7/350.1
D651,036 S * 12/2011 Kim D7/349
8,151,698 B2 * 4/2012 Mehta F24C 15/14
99/425
D718,604 S * 12/2014 Boo D7/402
D781,636 S * 3/2017 Kim D7/348

D788,513 S * 6/2017 Chung D7/323
D812,959 S * 3/2018 Kim D7/348
D817,067 S * 5/2018 Shoemaker D7/349
D817,694 S * 5/2018 Kim D7/349
D829,482 S * 10/2018 Incukur D7/340

FOREIGN PATENT DOCUMENTS

CN 302481962 6/2013
JP 1282029 9/2006
JP 1379656 2/2010
KR 300385086 7/2005
KR 300806580 7/2015

* cited by examiner

Primary Examiner — Michael A. Pratt

(74) *Attorney, Agent, or Firm* — Cantor Colburn LLP

(57) **CLAIM**

The ornamental design for an electric oven, as shown and described.

DESCRIPTION

FIG. 1 is a perspective view of an electric oven, showing our new design;

FIG. 2 is a front view thereof;

FIG. 3 is a rear view thereof;

FIG. 4 is a side view thereof;

FIG. 5 is another side view thereof;

FIG. 6 is a top view thereof;

FIG. 7 is a bottom view thereof; and,

FIG. 8 is an enlarged view of the encircled portion 8 in FIG. 1.

The dashed broken lines illustrating portions of the electric oven form no part of the claimed design.

The dot-dash broken lines in the figures illustrate a boundary of the claimed design and form no part of the claimed design.

The dot-dot-dash broken lines encircling enlargement portions of the design form no part of the claimed design.

1 Claim, 8 Drawing Sheets

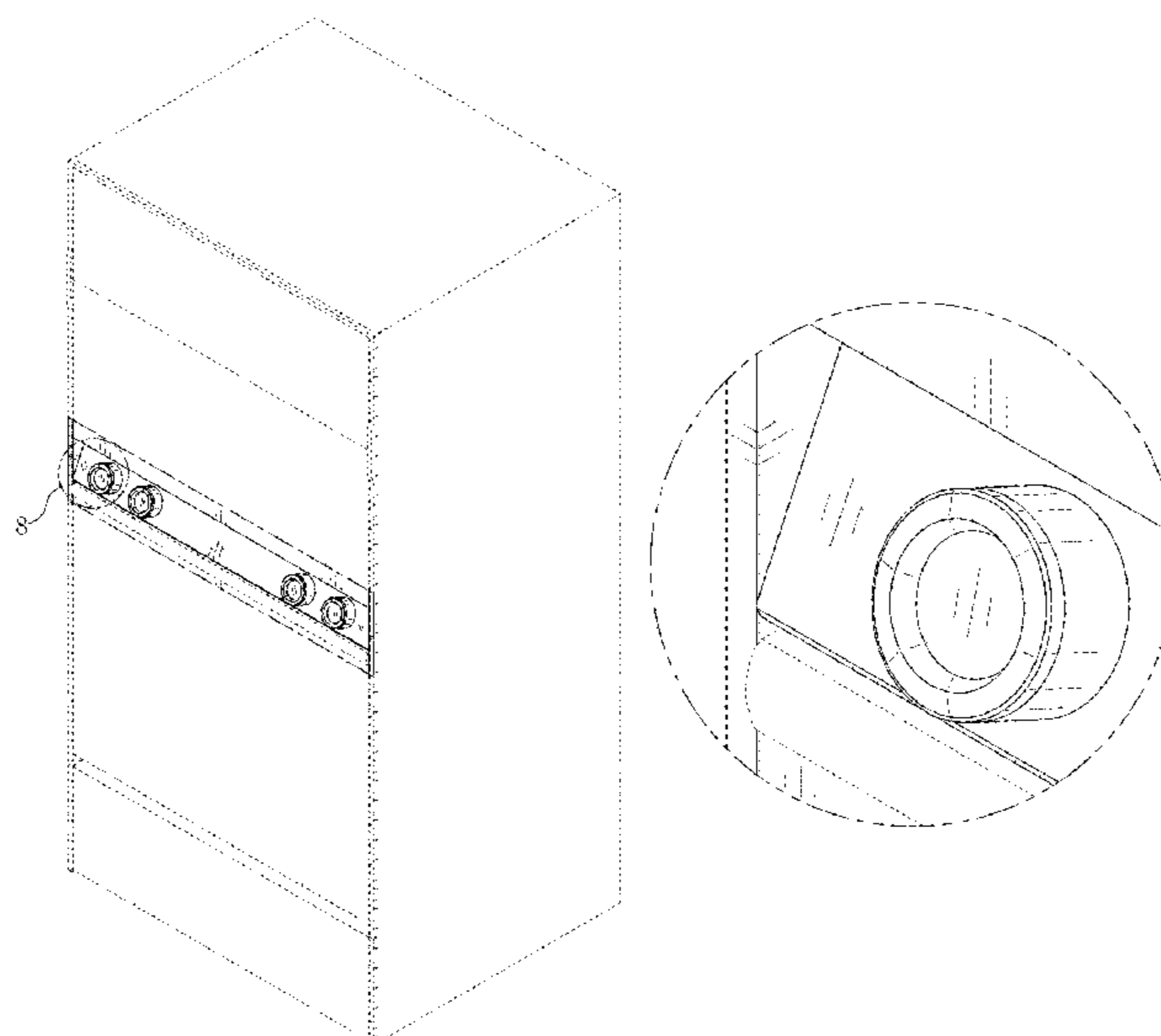


FIG. 1

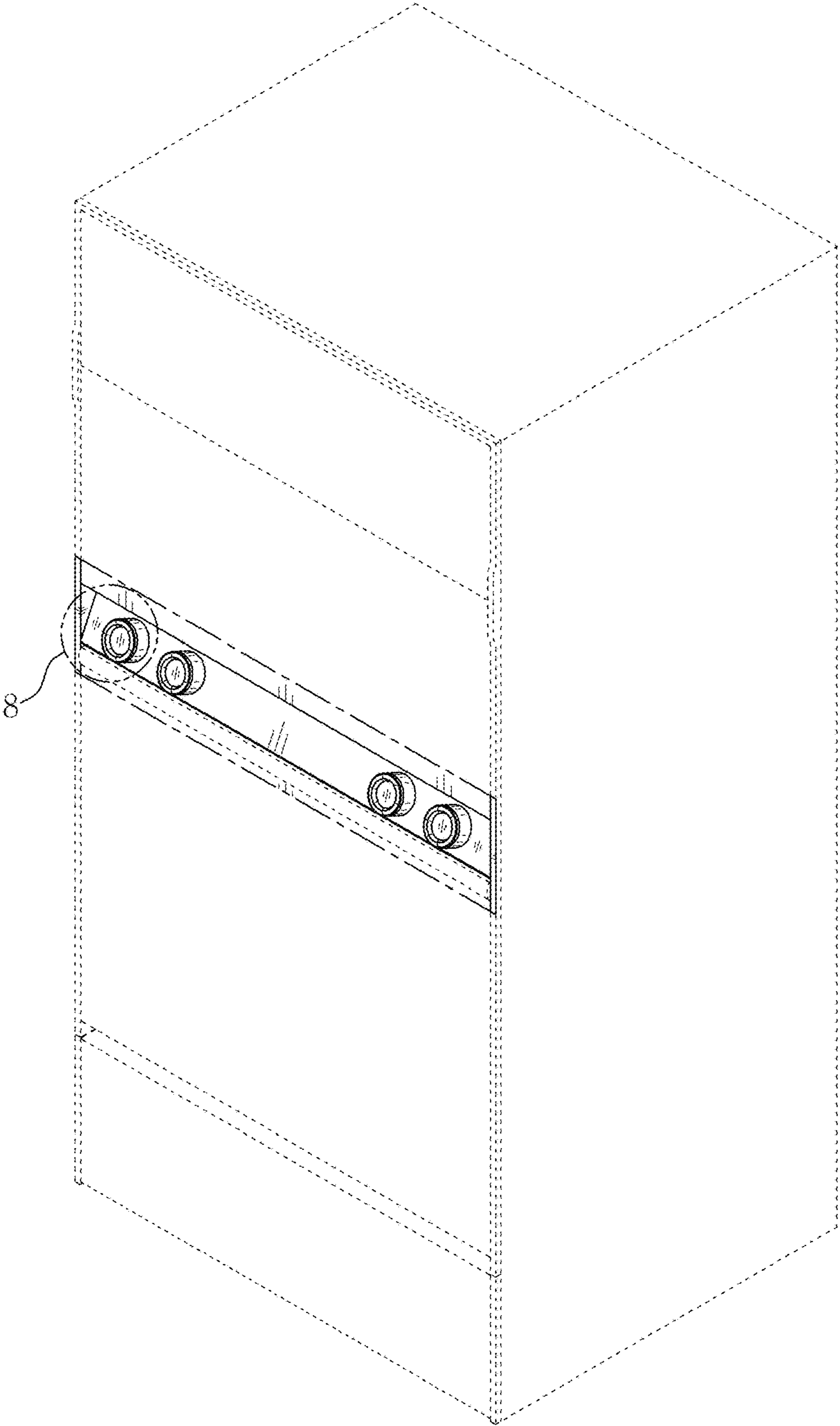


FIG. 2

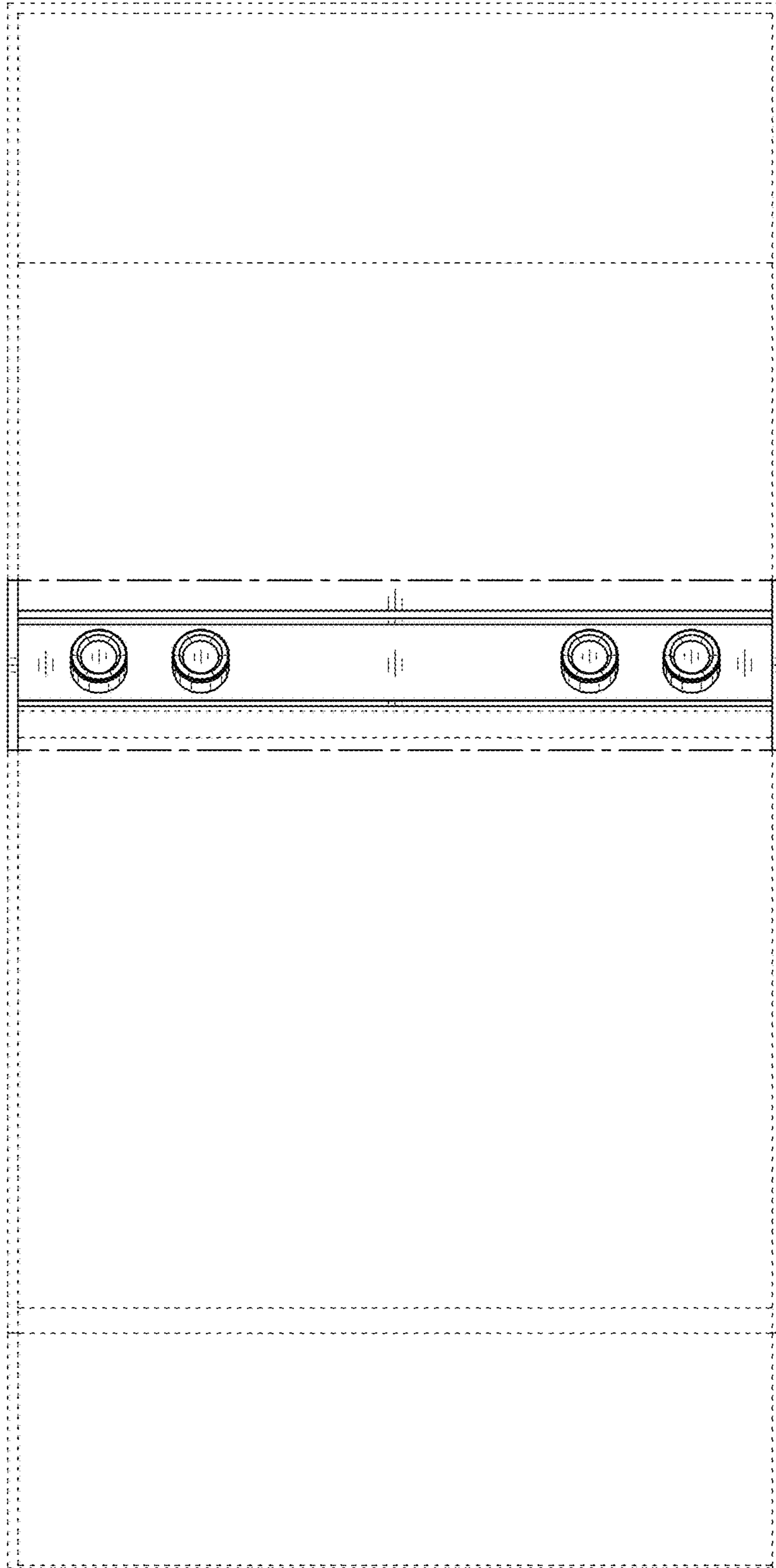


FIG. 3



FIG. 4

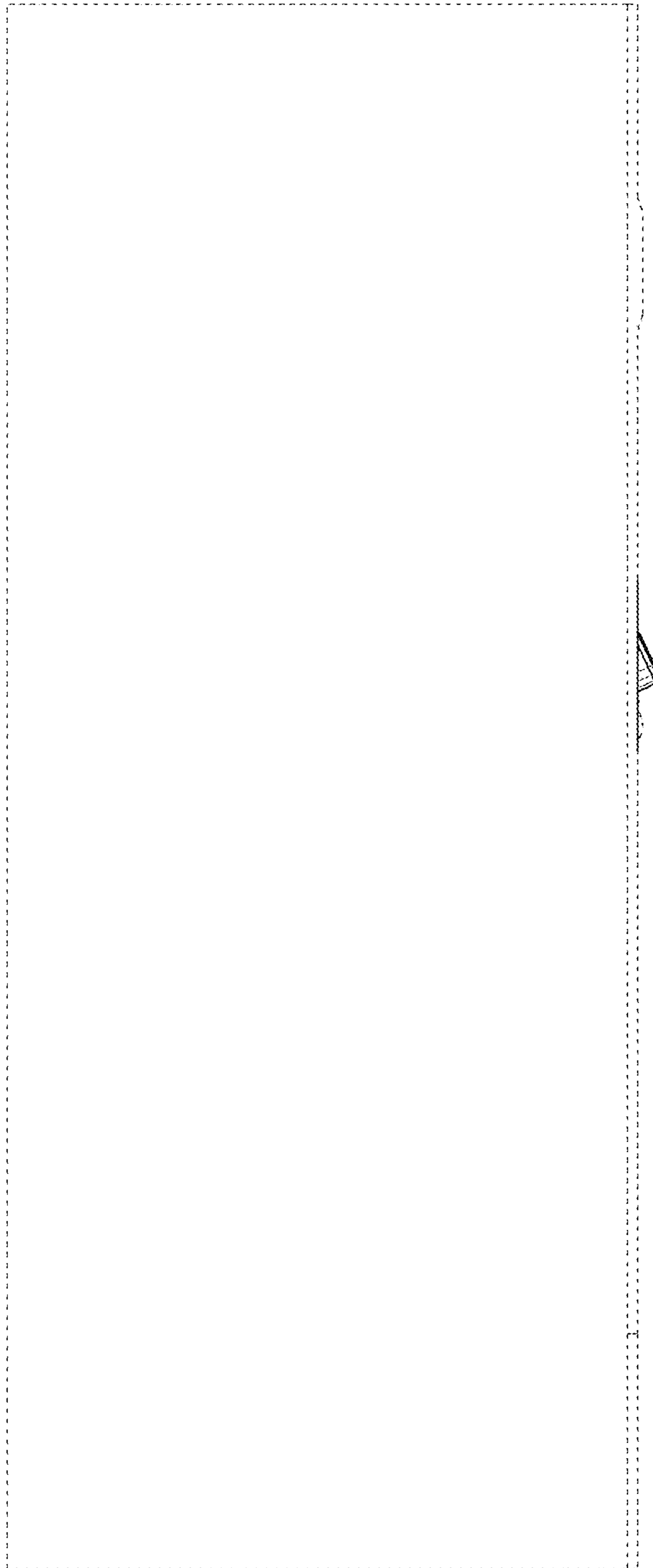


FIG. 5

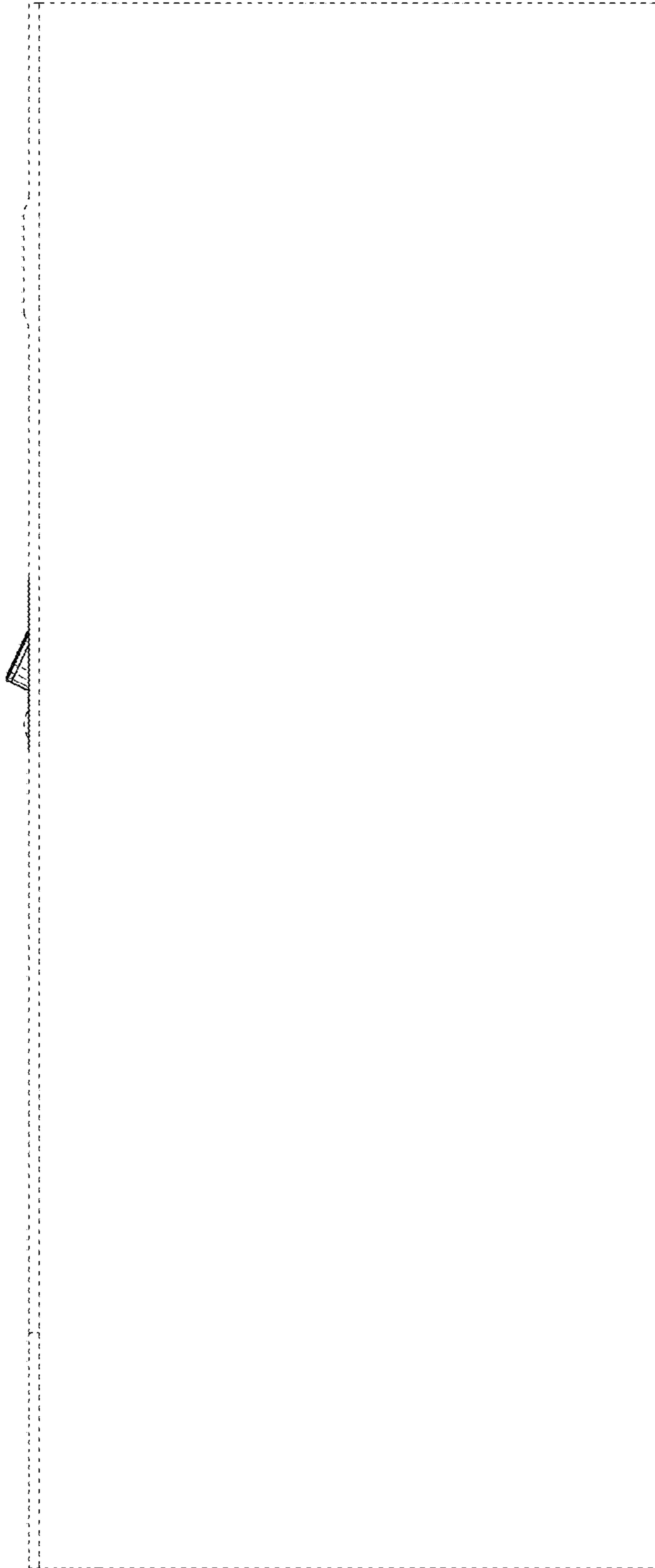


FIG. 6

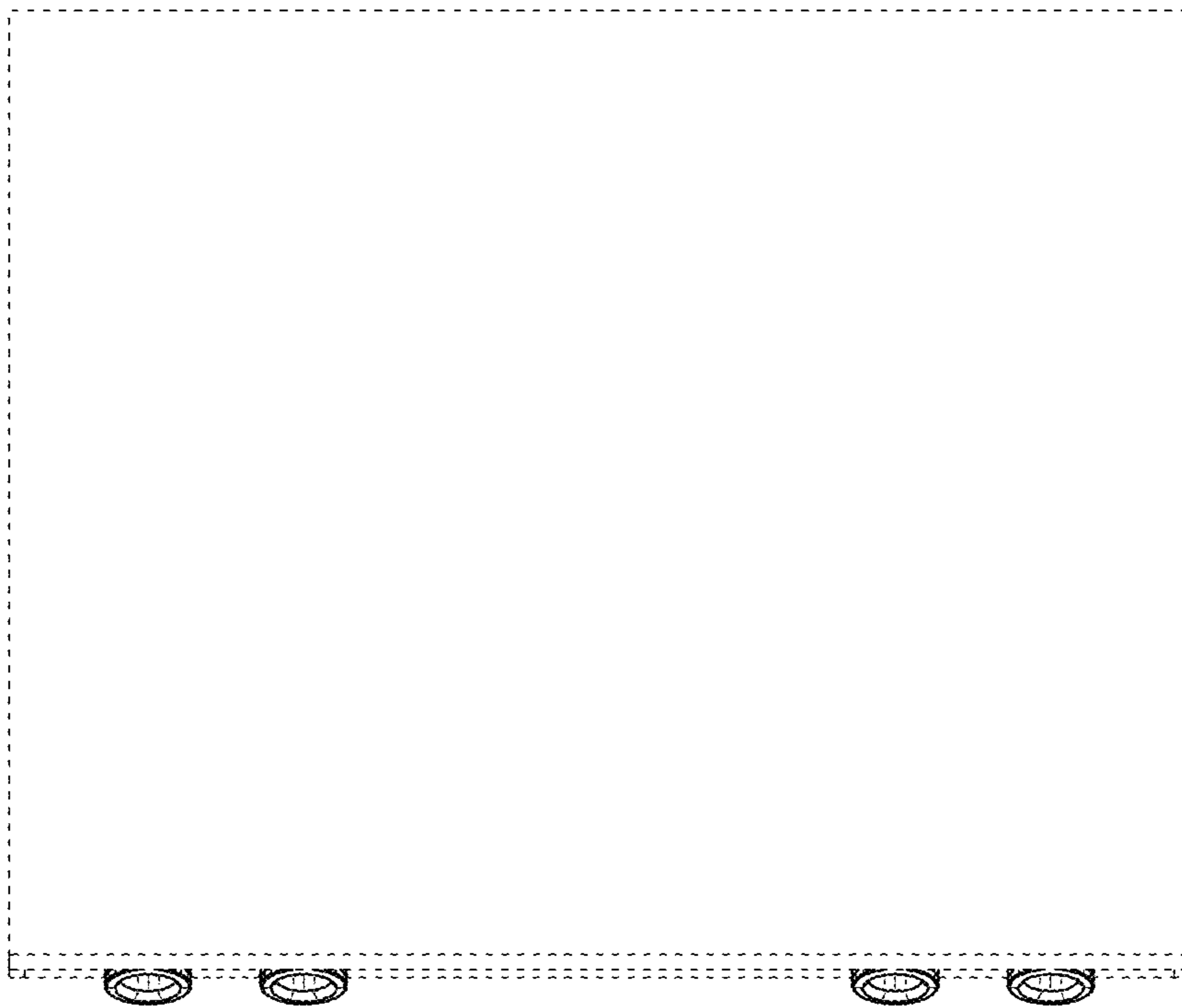


FIG. 7

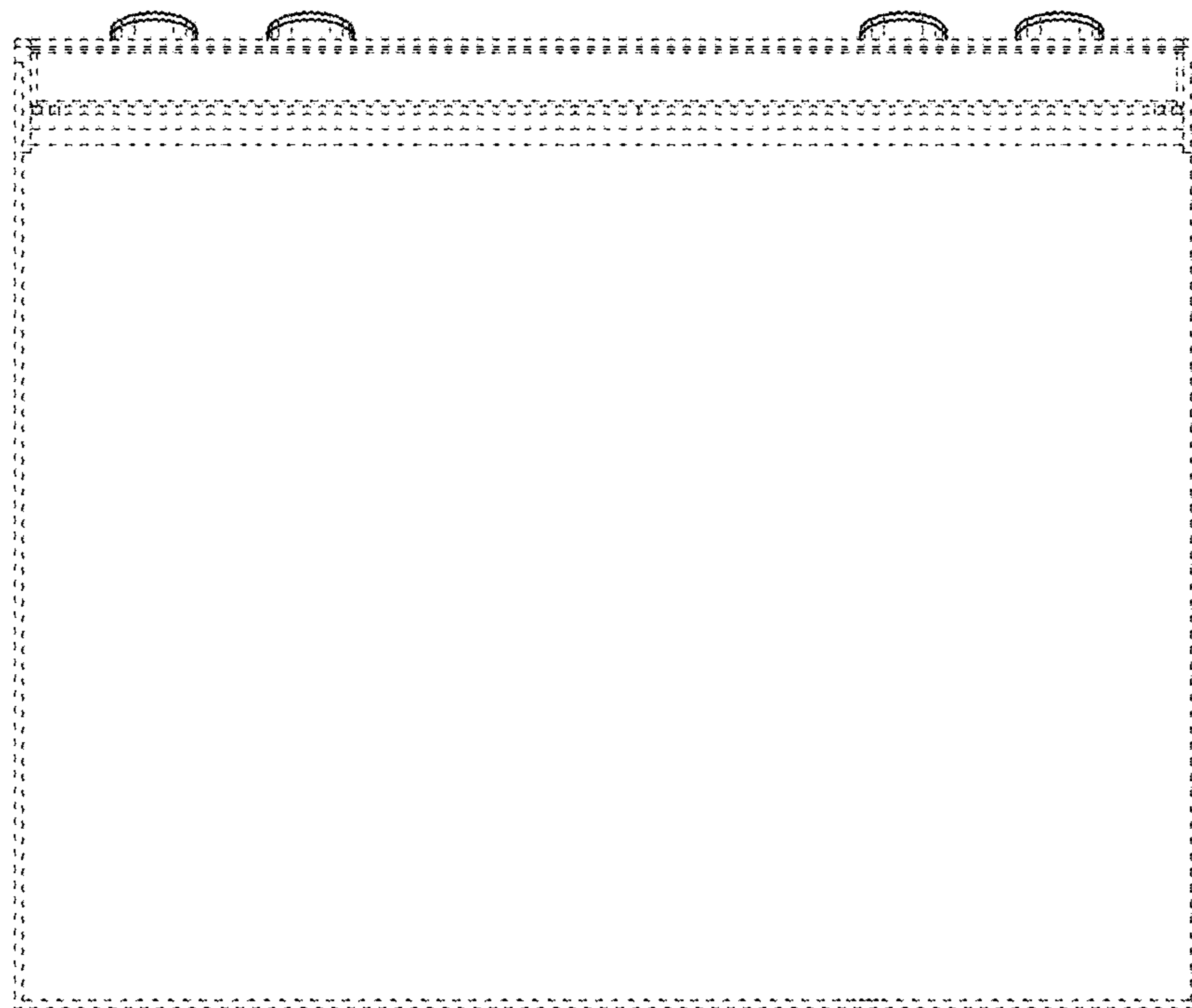


FIG. 8

