



US00D846330S

(12) **United States Design Patent**  
**Hong**

(10) **Patent No.:** **US D846,330 S**  
(45) **Date of Patent:** **\*\* Apr. 23, 2019**

(54) **ELECTRIC BARBECUE GRILL**  
(71) Applicant: **FOSHAN SHUNDE MIDEA ELECTRICAL HEATING APPLIANCES MANUFACTURING CO., LIMITED**, Guangdong (CN)  
(72) Inventor: **Min Hong**, Guandong (CN)  
(73) Assignee: **FOSHAN SHUNDE MIDEA ELECTRICAL HEATING APPLIANCES MANUFACTURING CO., LIMITED**, Foshan, Guangdong (CN)

D351,083 S \* 10/1994 O'Brien ..... D7/337  
6,024,014 A \* 2/2000 Kasai ..... A47J 37/067  
99/400  
6,433,312 B1 \* 8/2002 Chen ..... A47J 37/0611  
219/386  
7,562,654 B2 \* 7/2009 Chung ..... A47J 37/0731  
126/25 A  
D610,394 S \* 2/2010 Bodum ..... D7/362  
D642,423 S \* 8/2011 Seymour ..... D7/363  
D660,640 S \* 5/2012 De'Longhi ..... D7/363

(Continued)

*Primary Examiner* — Brett Miller  
(74) *Attorney, Agent, or Firm* — Morgan, Lewis & Bockius LLP

(\*\*) Term: **15 Years**  
(21) Appl. No.: **29/616,022**  
(22) Filed: **Sep. 1, 2017**

(57) **CLAIM**

The ornamental design for an electric barbecue grill, as shown and described.

(30) **Foreign Application Priority Data**

**DESCRIPTION**

Mar. 16, 2017 (CN) ..... 2017 3 0077785  
(51) **LOC (11) Cl.** ..... **07-02**  
(52) **U.S. Cl.**  
USPC ..... **D7/337**  
(58) **Field of Classification Search**  
USPC ..... D7/332-337, 402-409, 362-365  
CPC .... A47J 37/07-37/0781; A47J 37/0786; A47J 37/079; A47J 37/0611; A47J 37/067; F24B 1/202; F24B 1/205; F24B 1/207; F24C 1/16; F24C 3/14; A23B 4/044; A23B 4/048; A23B 4/052; A23B 4/0523; A23B 4/0526; A23B 4/056  
See application file for complete search history.

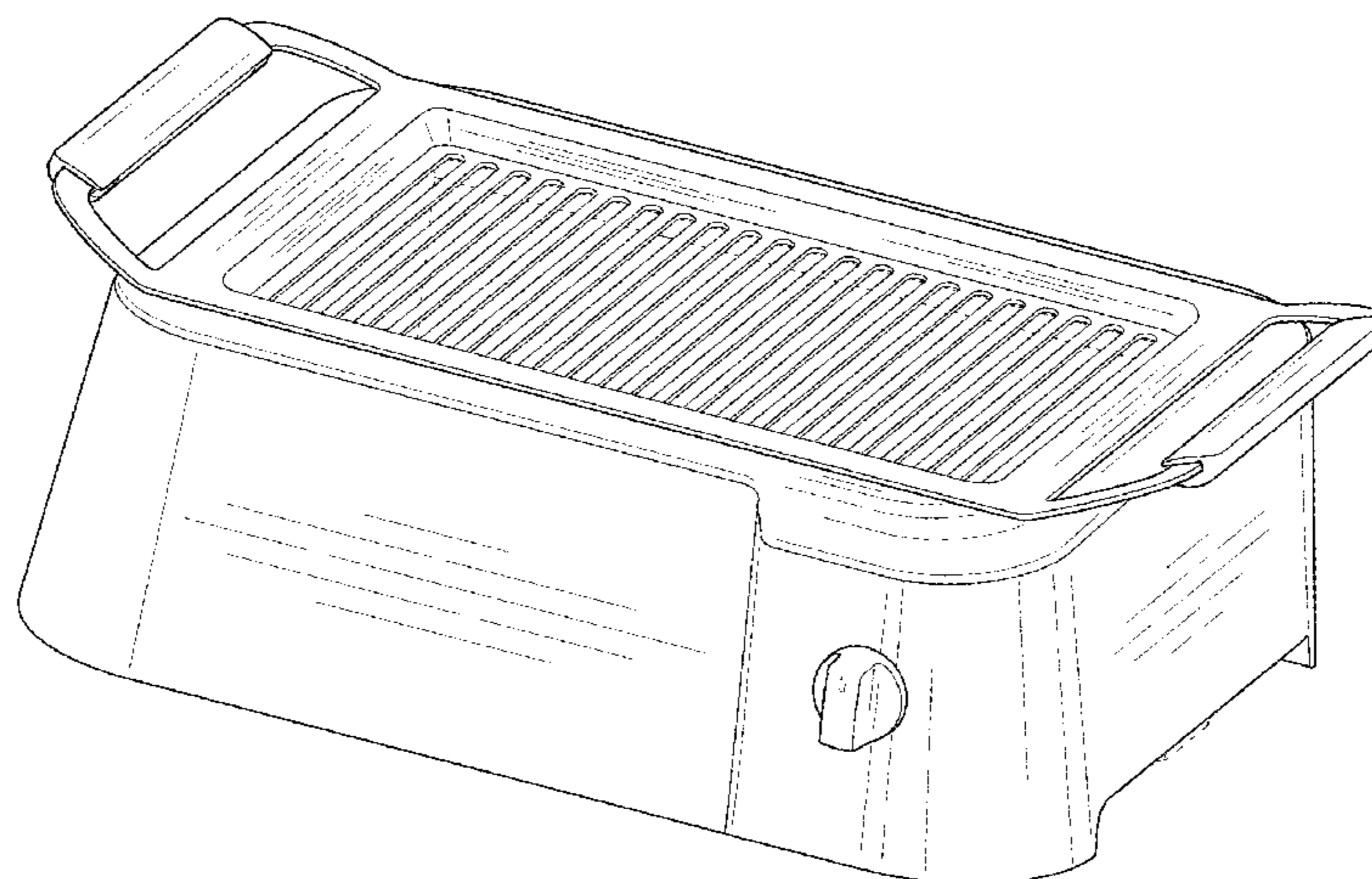
FIG. 1 is a front perspective view of an electric barbecue grill showing my new design;  
FIG. 2 is a rear perspective view of the electric barbecue grill shown in FIG. 1;  
FIG. 3 is a front elevational view of the electric barbecue grill shown in FIG. 1;  
FIG. 4 is a rear elevational view of the electric barbecue grill shown in FIG. 1;  
FIG. 5 is a right-side elevational view of the electric barbecue grill shown in FIG. 1;  
FIG. 6 is a left-side elevational view of the electric barbecue grill shown in FIG. 1; and,  
FIG. 7 is a top plan view of the electric barbecue grill shown in FIG. 1.

The broken lines immediately adjacent the claim represent the bounds of the claimed design while all other broken lines are directed to environment and are for illustrative purposes only; the broken lines form no part of the claimed design.

(56) **References Cited**  
U.S. PATENT DOCUMENTS

D187,095 S \* 1/1960 Joseph ..... D7/337  
5,299,931 A \* 4/1994 Lee ..... A47J 37/0704  
431/25

**1 Claim, 6 Drawing Sheets**





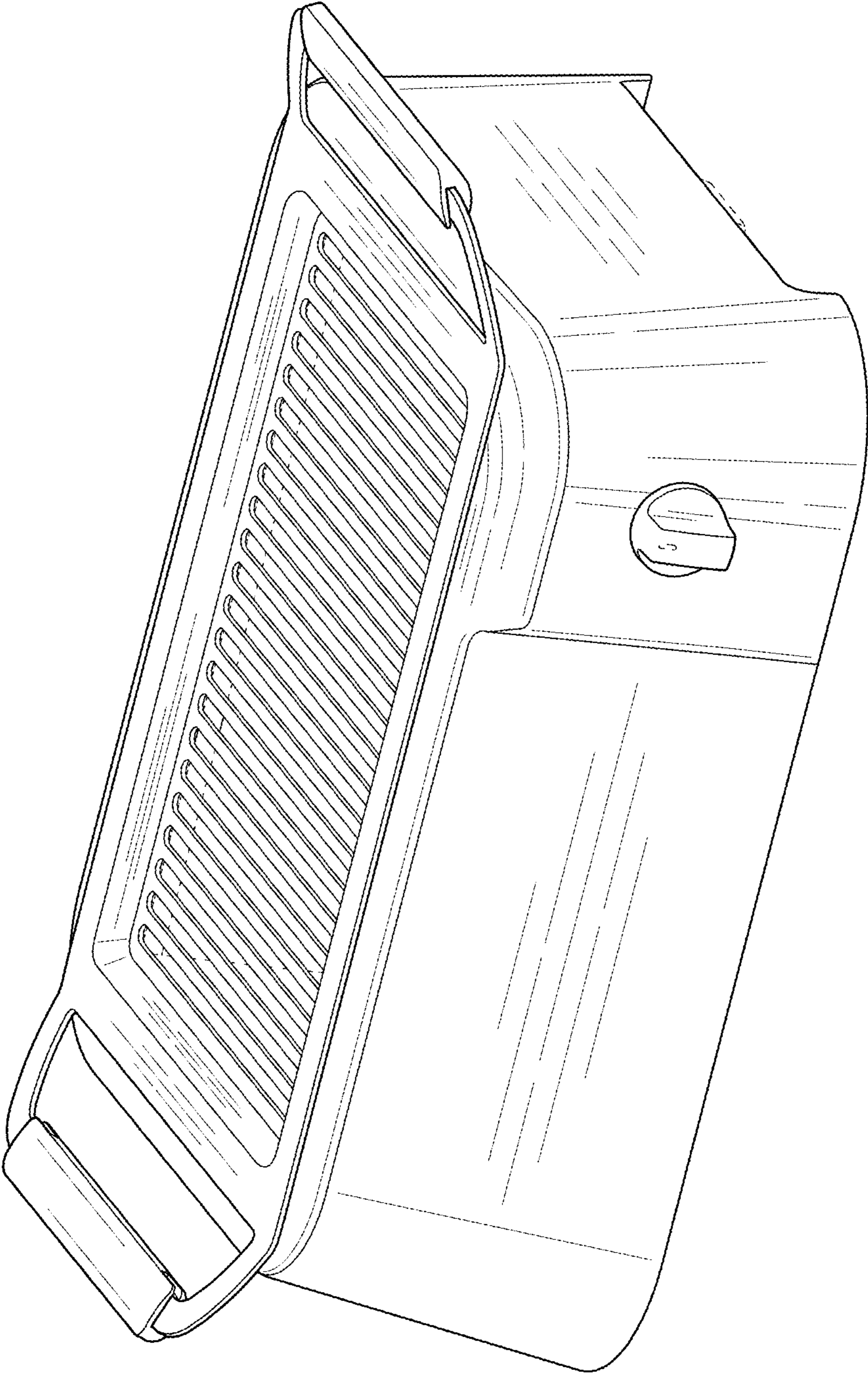


FIG. 1

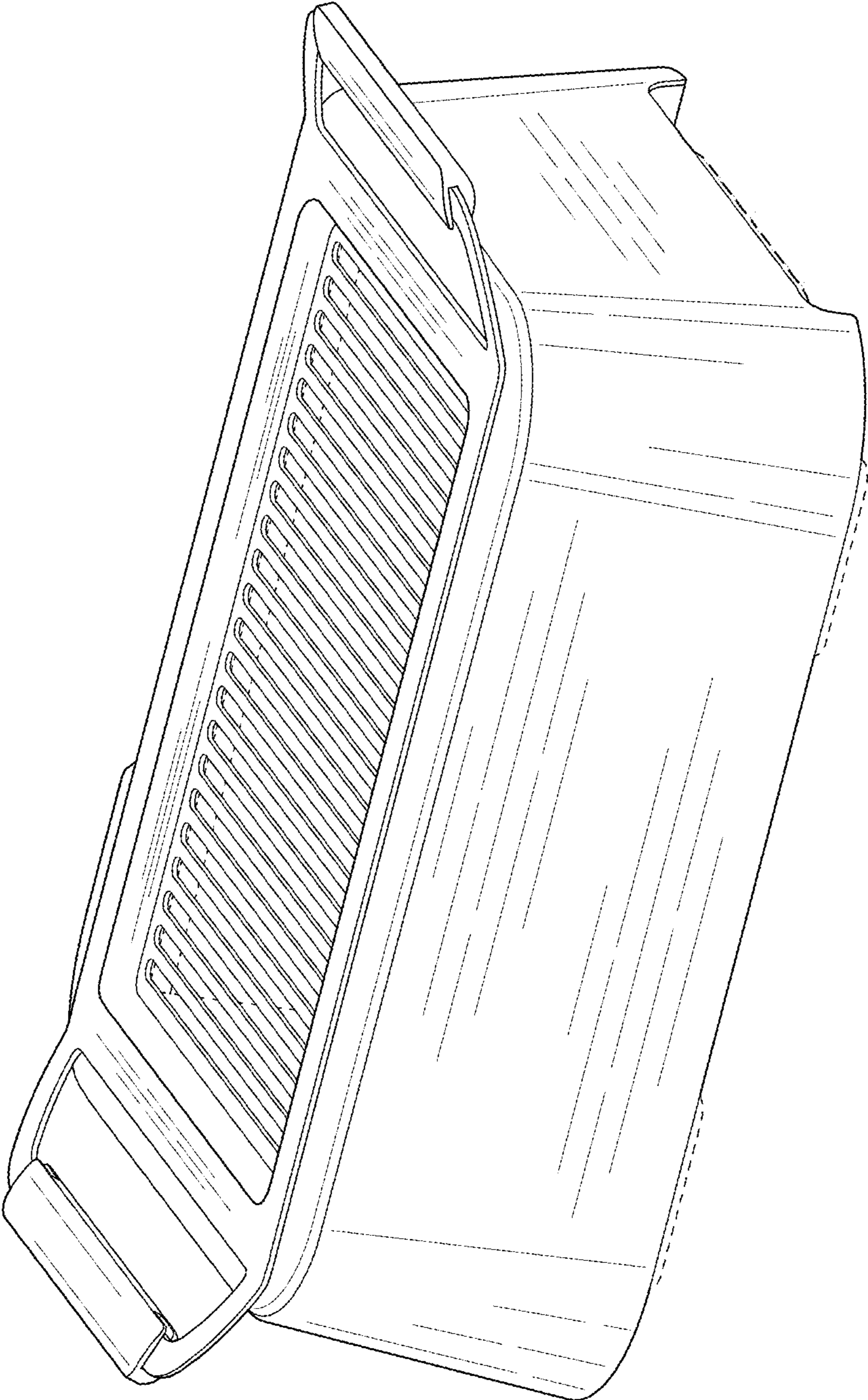


FIG. 2

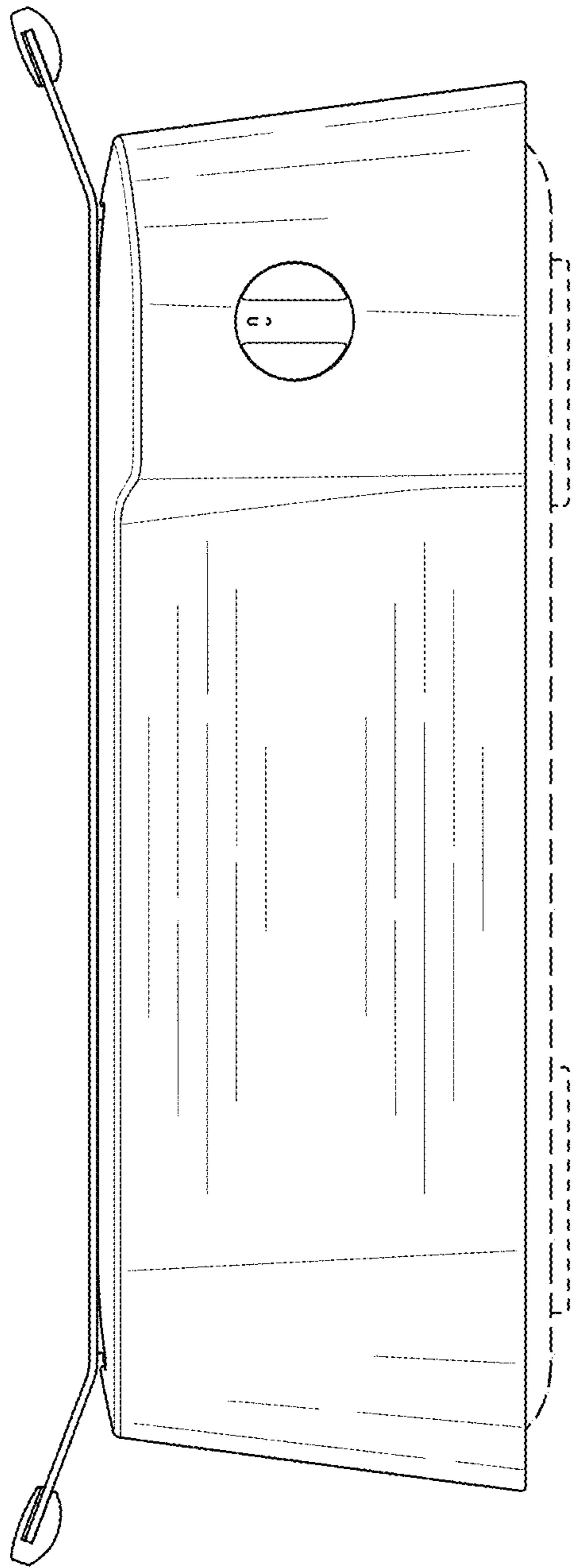


FIG. 3

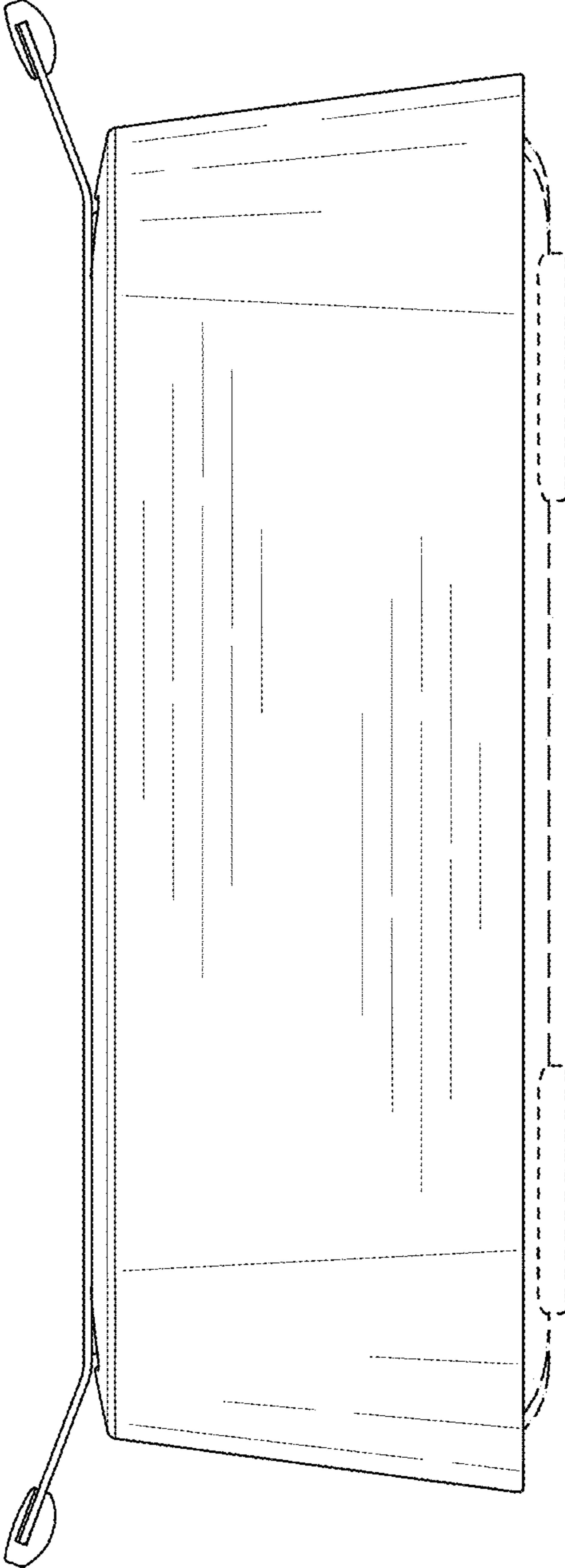


FIG. 4

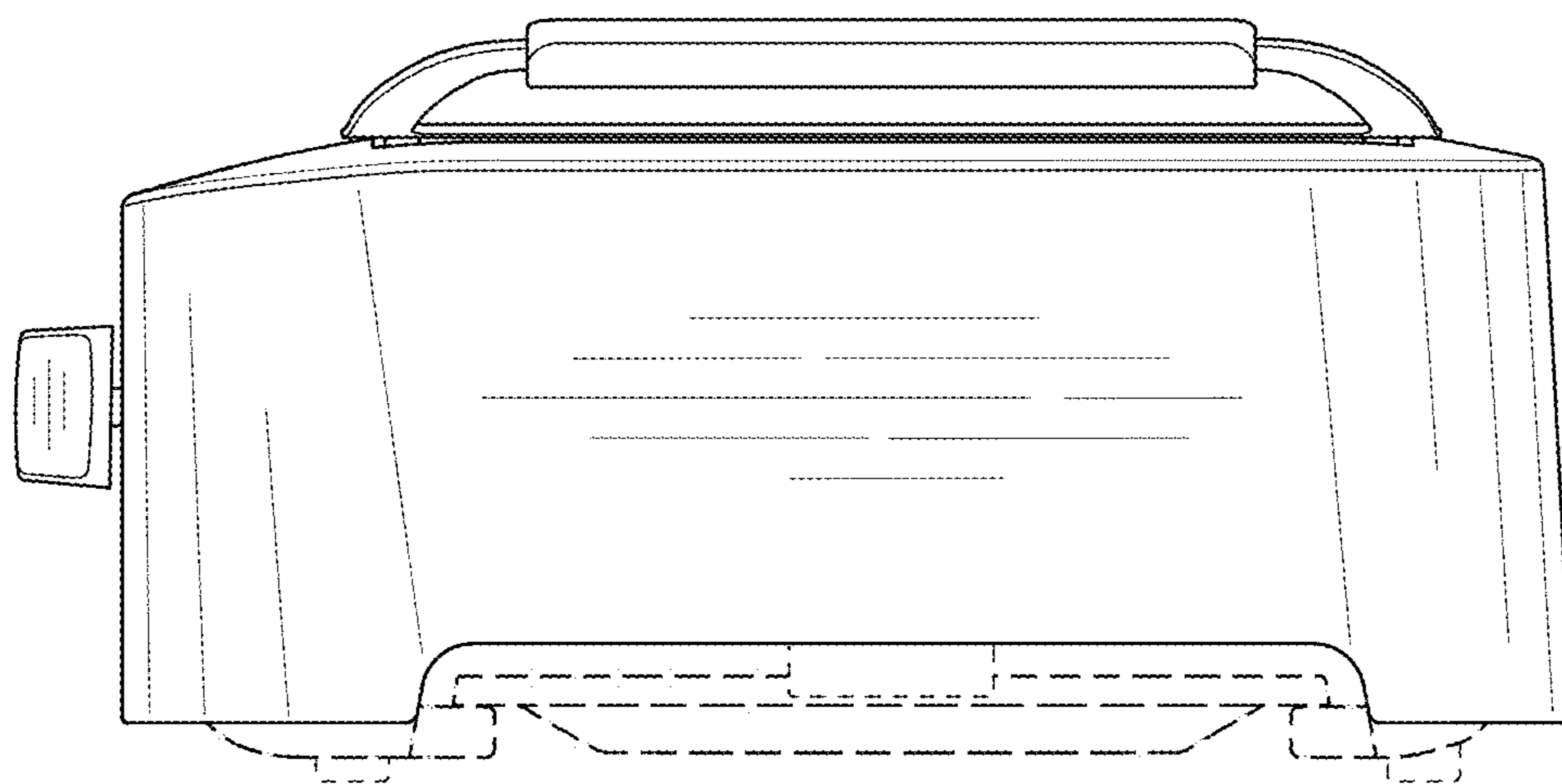


FIG. 5

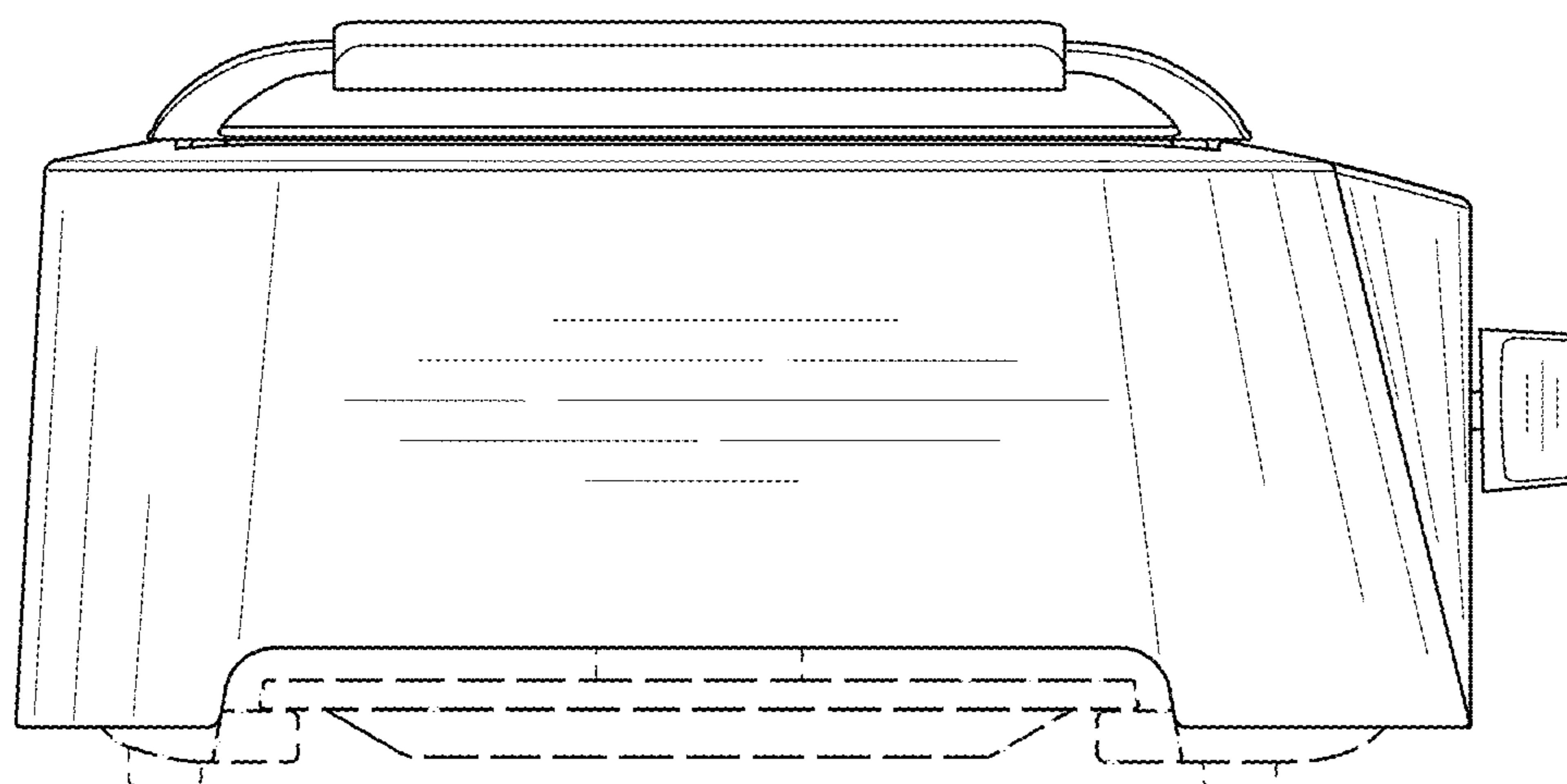


FIG. 6

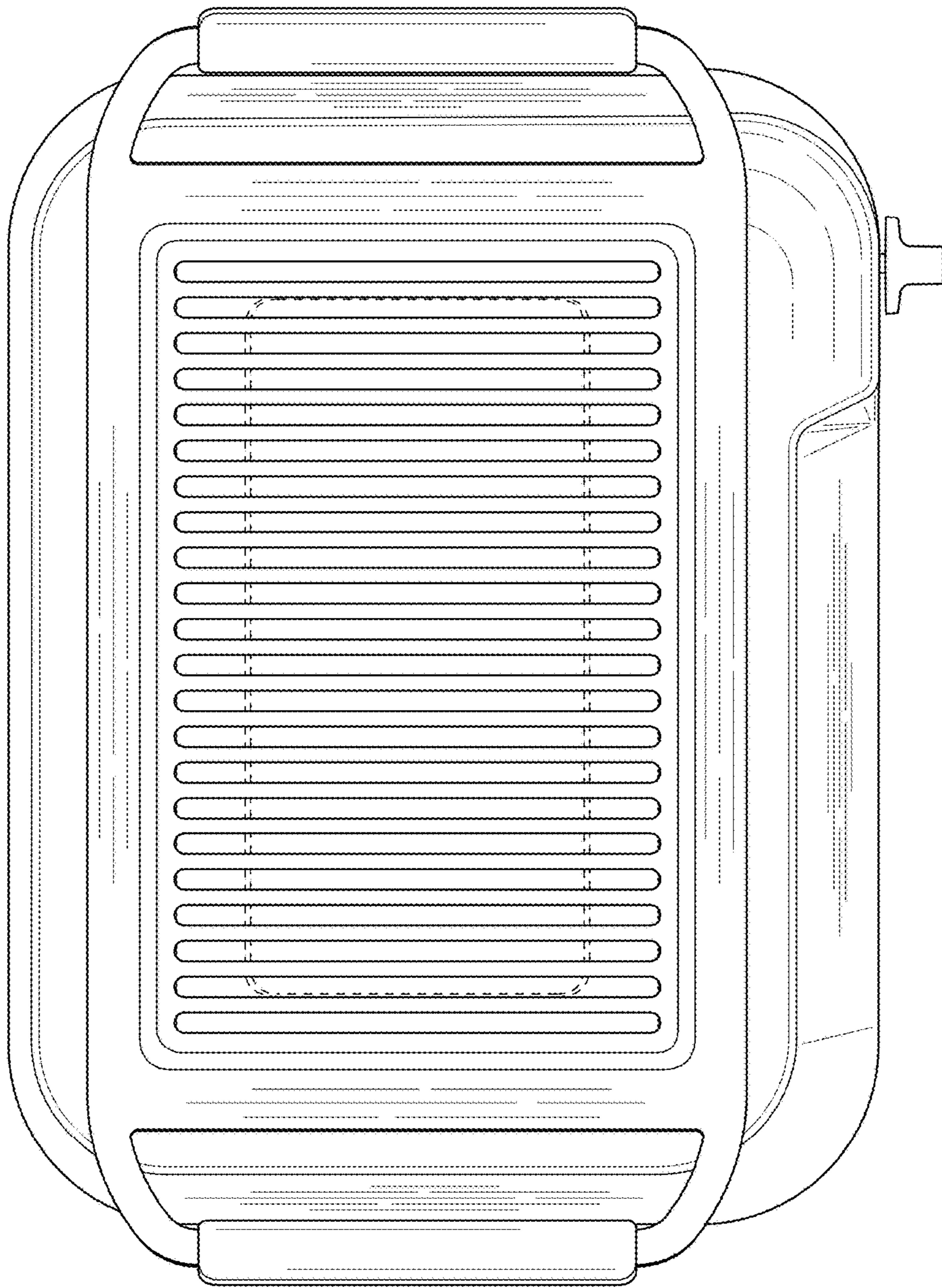


FIG. 7