



US00D846329S

(12) **United States Design Patent**  
**Zimmermann**

(10) **Patent No.:** **US D846,329 S**  
(45) **Date of Patent:** **\*\* Apr. 23, 2019**

(54) **COFFEE MAKER**  
(71) Applicant: **Carrera Brands Limited**, Kowloon (HK)  
(72) Inventor: **Dirk Hagen Zimmermann**, Dusseldorf (DE)  
(73) Assignee: **Carrera Brands Limited** (DE)  
(\*\*) Term: **15 Years**  
(21) Appl. No.: **29/594,937**  
(22) Filed: **Feb. 23, 2017**

D229,897 S \* 1/1974 Martin ..... D7/309  
D240,386 S \* 7/1976 Albeau ..... D7/309  
4,721,034 A \* 1/1988 Shimomura ..... A47J 31/047  
99/280  
D489,214 S \* 5/2004 Noda ..... D7/309  
D496,213 S \* 9/2004 Midden ..... D7/309  
D507,449 S \* 7/2005 Burton ..... D7/309  
D552,402 S \* 10/2007 Schwamkrug ..... D7/309  
D610,857 S \* 3/2010 Pateman ..... D7/306  
D712,188 S \* 9/2014 Averty ..... D7/309  
D718,972 S \* 12/2014 Jorgensen ..... D7/309  
D731,223 S \* 6/2015 Hatherell ..... D7/306  
D793,791 S \* 8/2017 McDonald ..... D7/306  
D816,383 S \* 5/2018 Liang ..... D7/310

\* cited by examiner

(30) **Foreign Application Priority Data**

Aug. 24, 2016 (EM) ..... 003351535-0001

(51) **LOC (11) Cl.** ..... **07-01**

(52) **U.S. Cl.**  
USPC ..... **D7/310; D7/311; D7/309**

(58) **Field of Classification Search**

USPC ..... D7/300, 309-311, 306-308, 305;  
222/146.6, 185.1, 135; 99/295, 273, 304,  
99/288, 279, 307, 283

CPC ..... A47J 31/46; A47J 31/407; A47J 31/50;  
A47J 31/18; A47J 31/00; A47J 27/04;  
A47J 31/0573; A47J 31/52; A47J  
31/0642; A47J 31/3628; A47J 31/445

See application file for complete search history.

(56) **References Cited**

**U.S. PATENT DOCUMENTS**

D220,579 S \* 4/1971 Wickenberg ..... D7/309  
3,592,125 A \* 7/1971 Tolmie ..... A47J 31/0573  
392/467

*Primary Examiner* — Marianne N Pandozzi  
(74) *Attorney, Agent, or Firm* — Greenberg Traurig, LLP

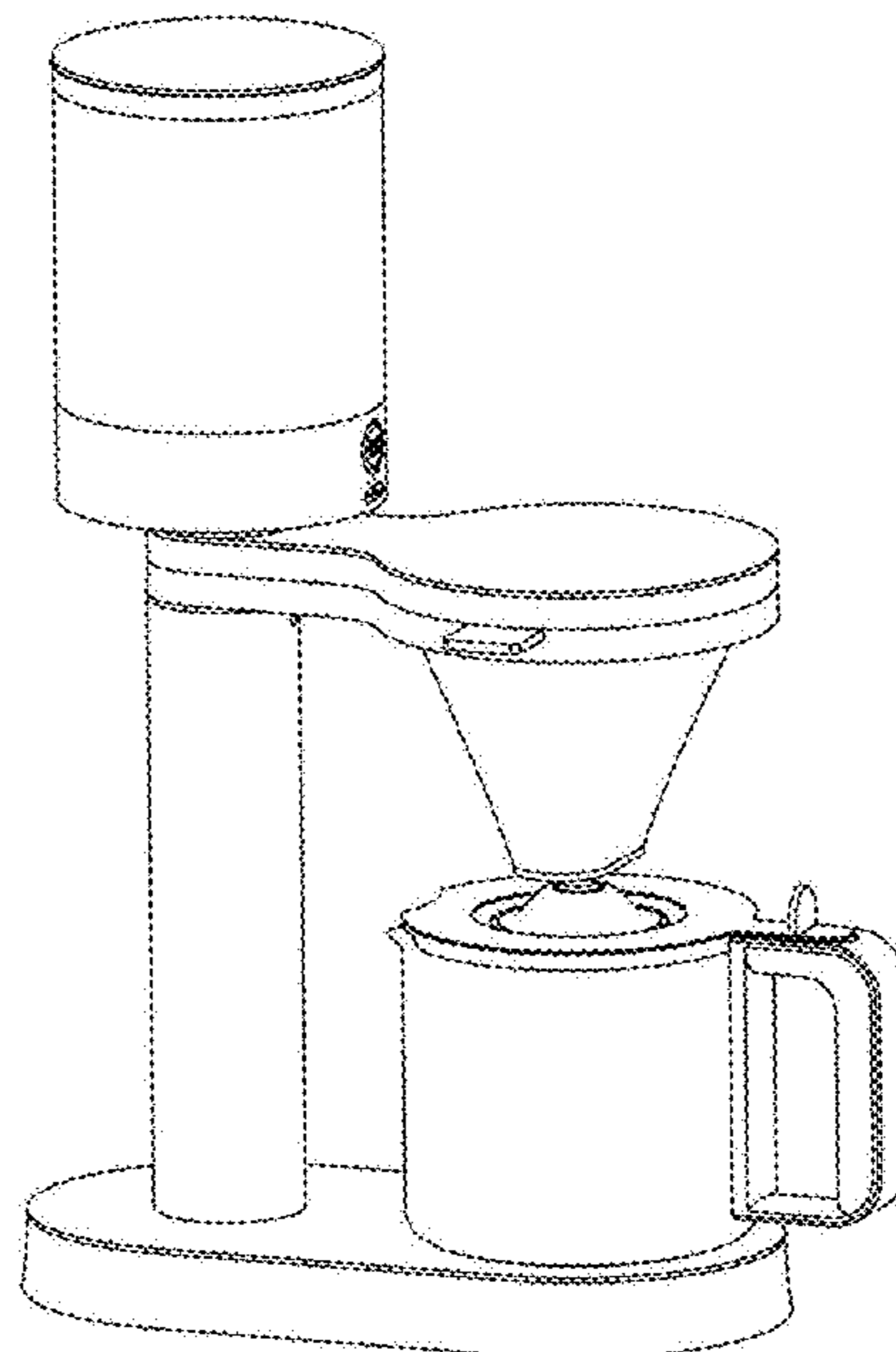
(57) **CLAIM**

The ornamental design for a coffee maker, as shown and described.

**DESCRIPTION**

FIG. 1 is a front, left side perspective view of a coffee maker showing my new design;  
FIG. 2 is a left side elevational view thereof;  
FIG. 3 is a right side elevational view thereof;  
FIG. 4 is a front side elevational view thereof;  
FIG. 5 is a rear side elevational view thereof;  
FIG. 6 is a top plan view thereof; and,  
FIG. 7 is a bottom plan view thereof.

**1 Claim, 7 Drawing Sheets**



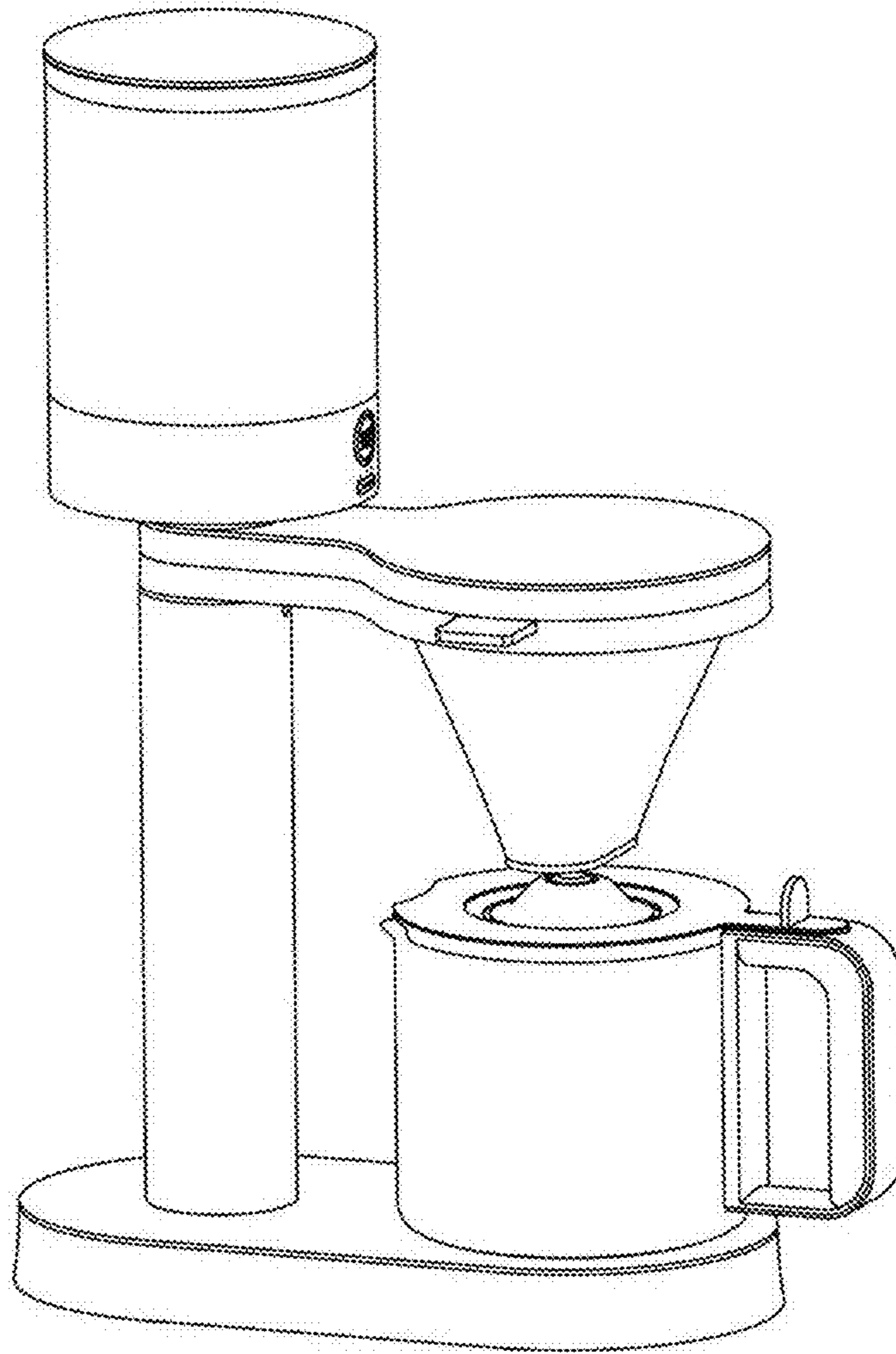


FIG. 1

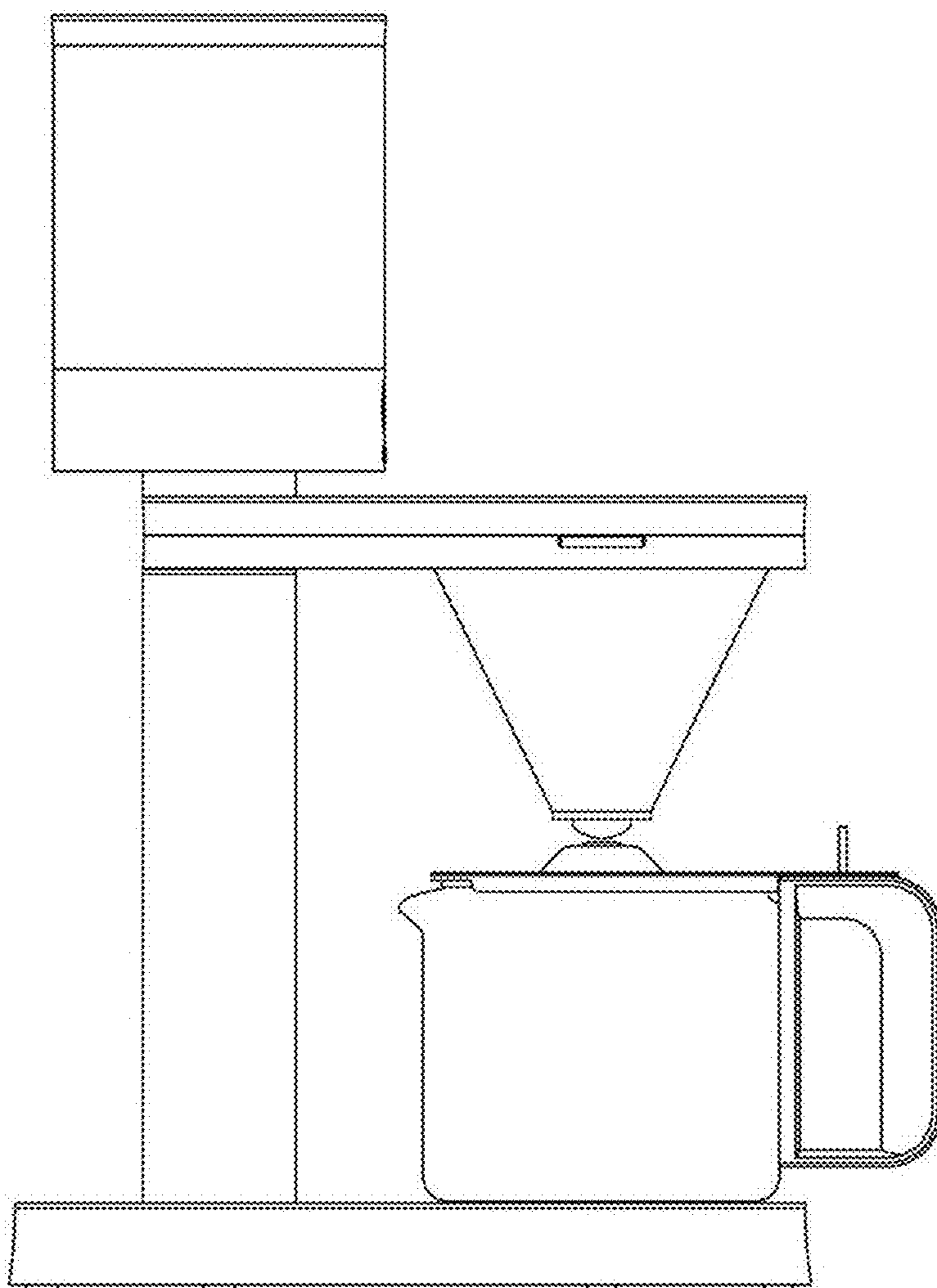


FIG. 2

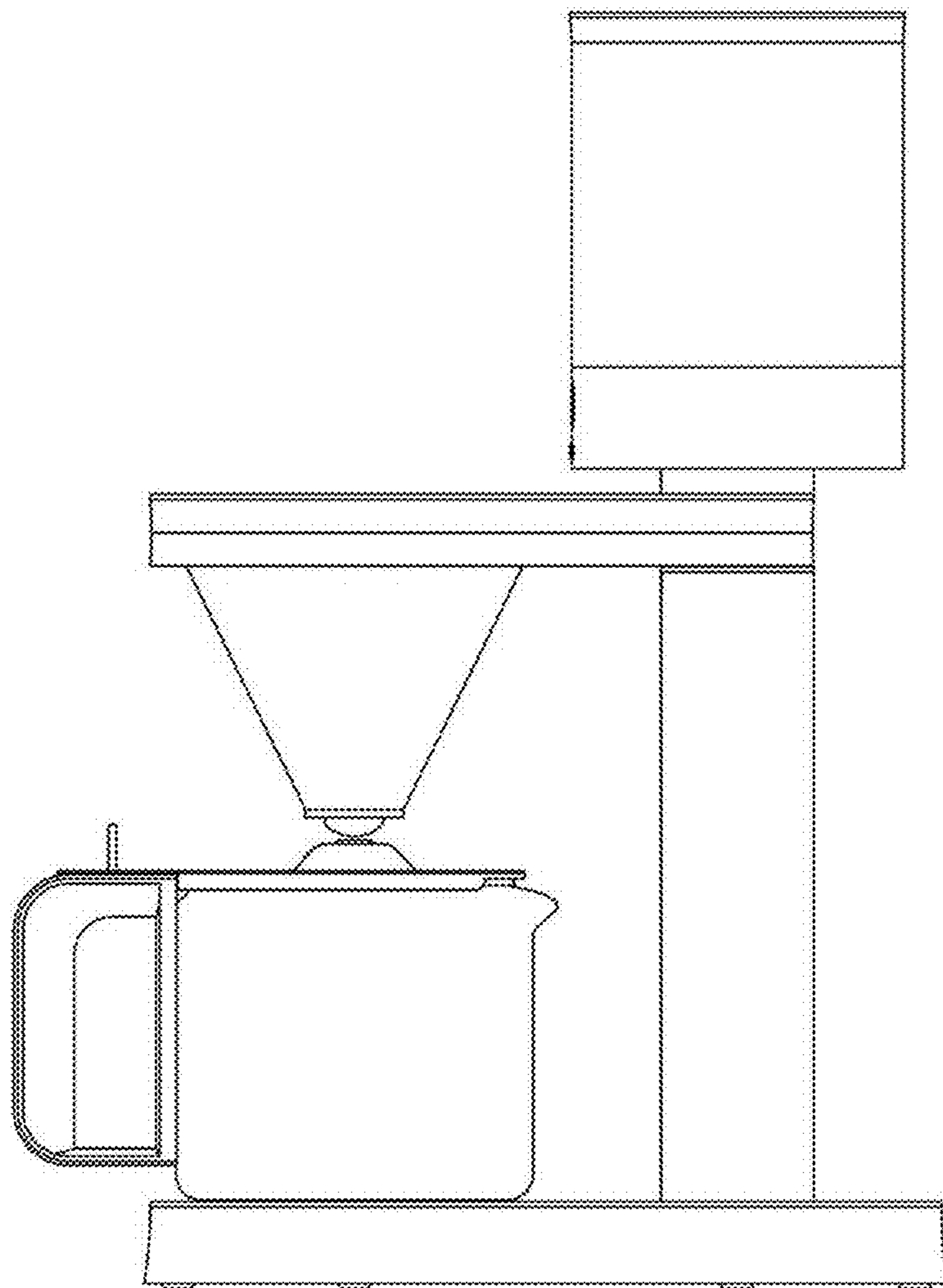


FIG. 3

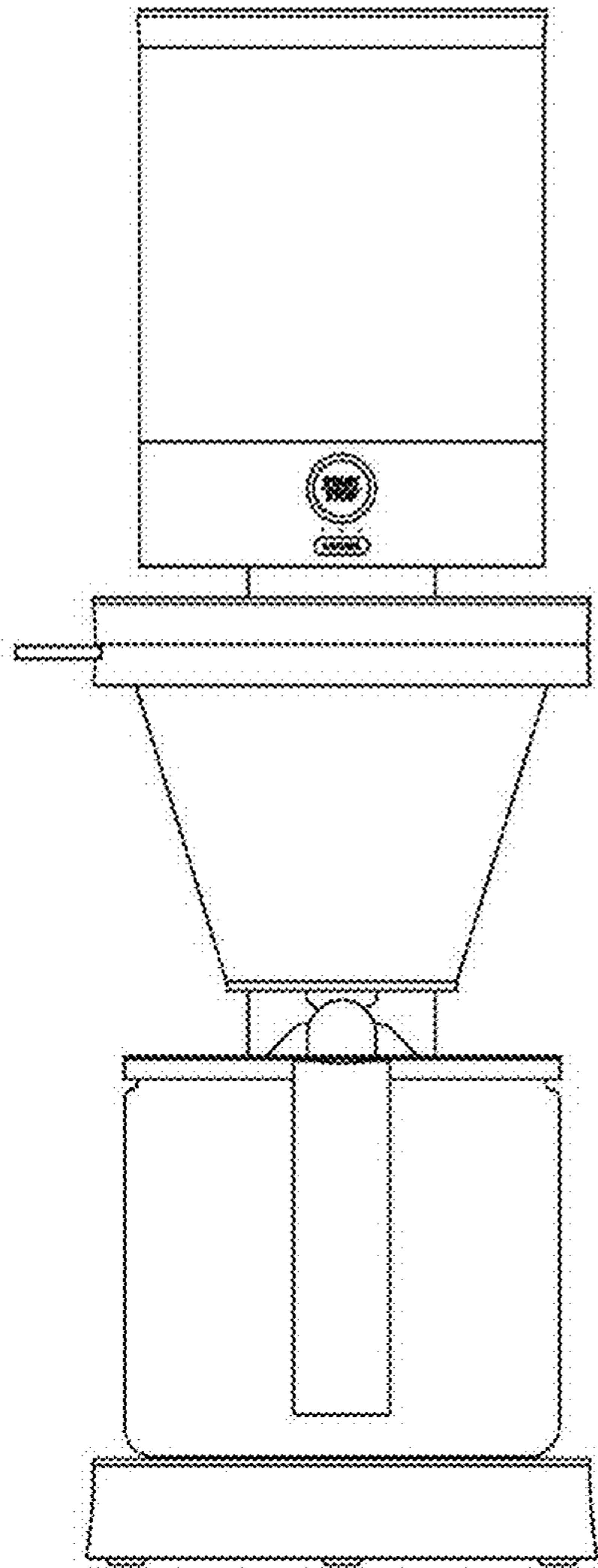


FIG. 4

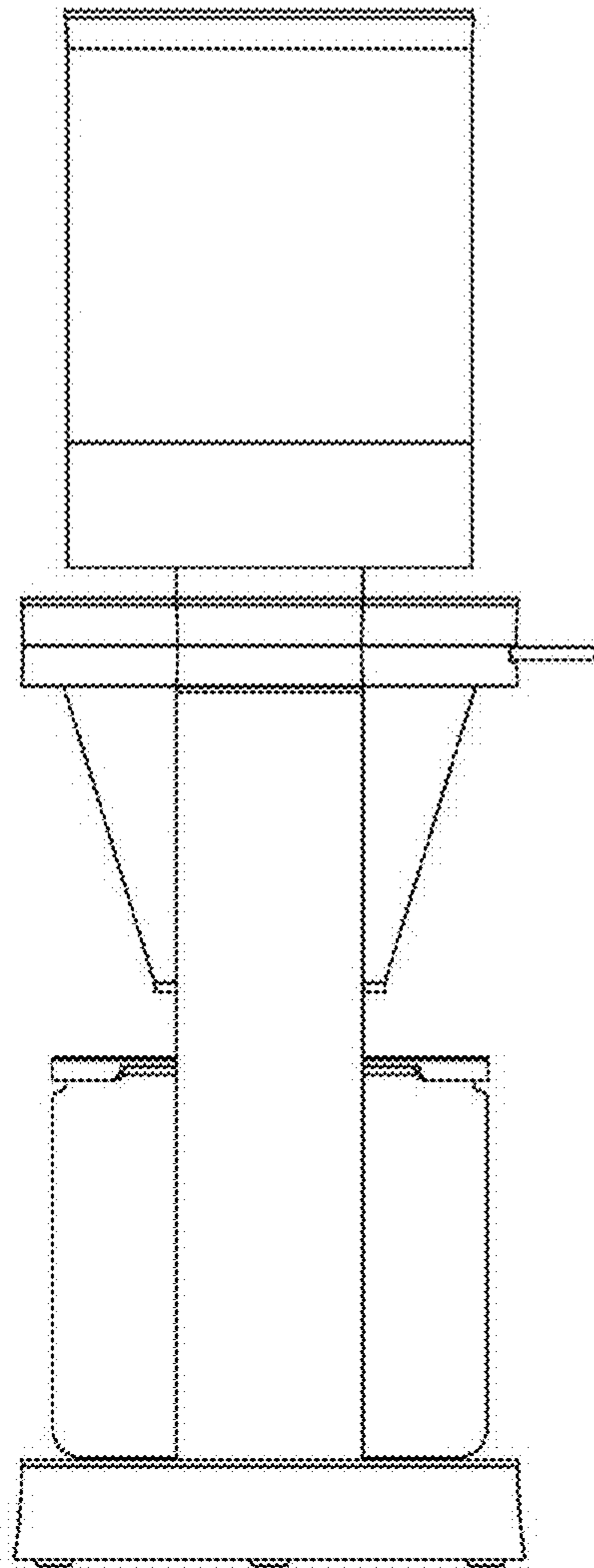


FIG. 5

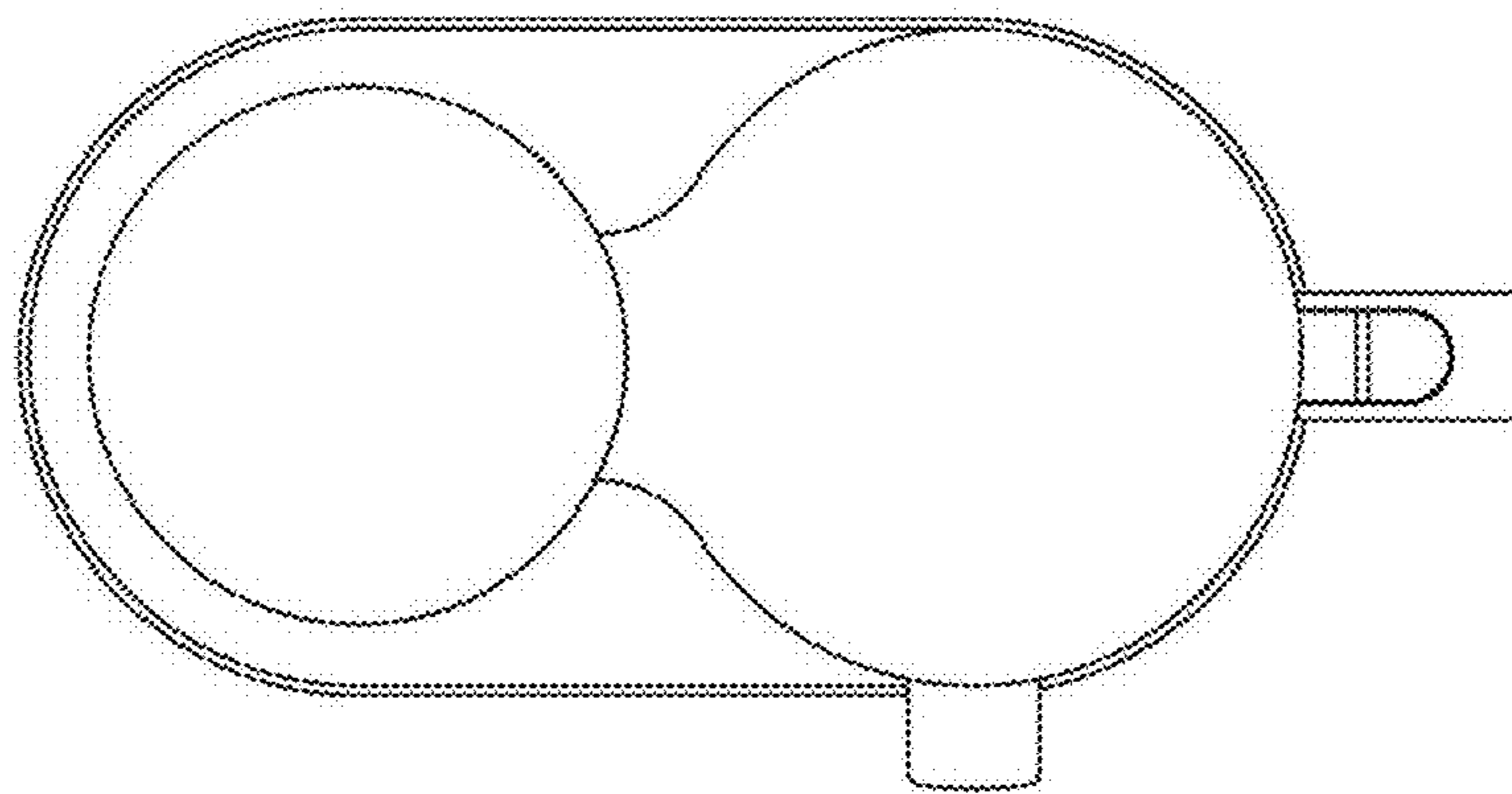


FIG. 6

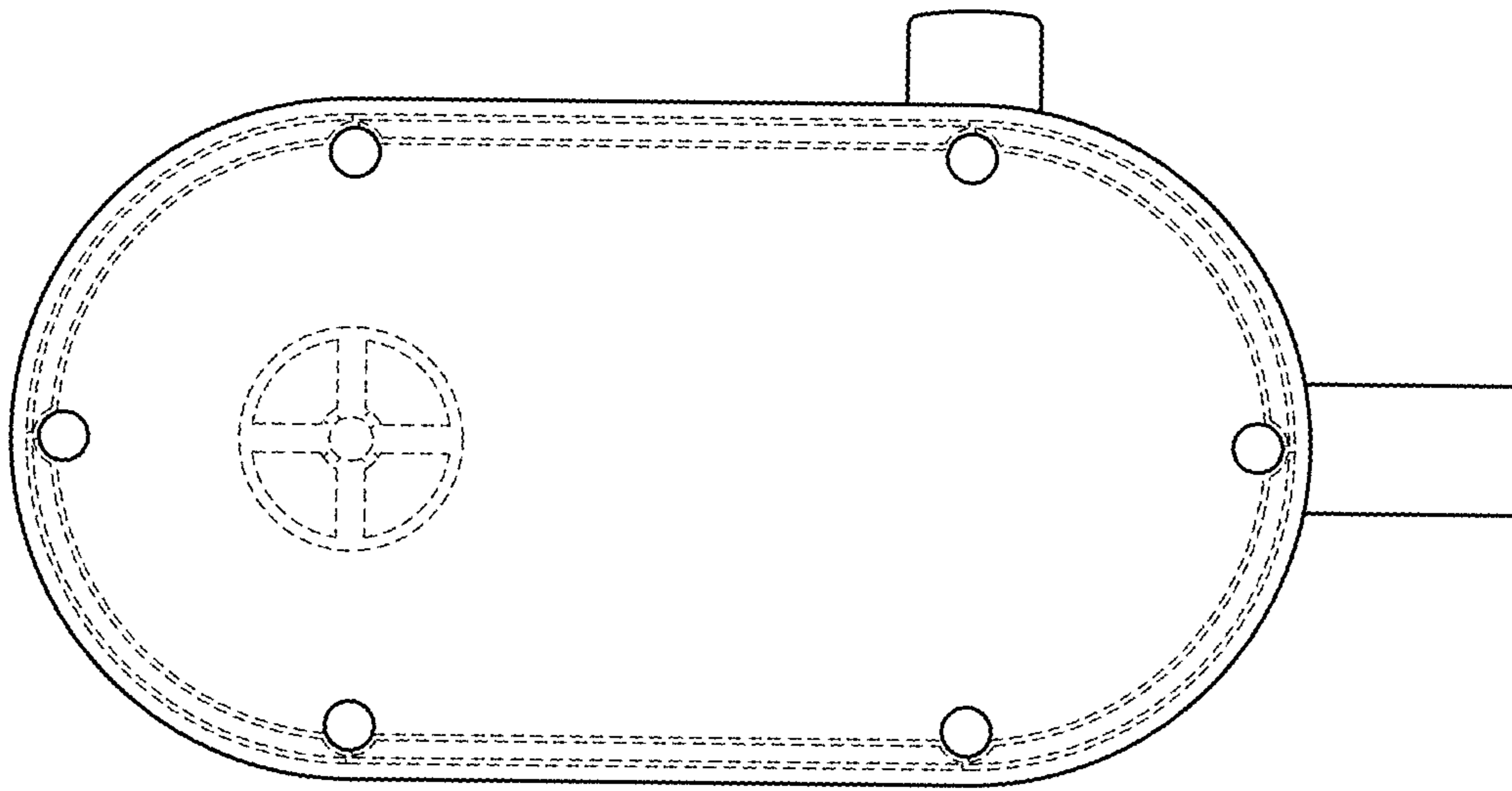


FIG. 7