



US00D846328S

(12) **United States Design Patent**
Tan

(10) **Patent No.:** **US D846,328 S**

(45) **Date of Patent:** **** Apr. 23, 2019**

(54) **WATER DISPENSER**

(71) Applicant: **FOSHAN SHUNDE MIDEA WATER DISPENSER MFG. CO., LTD.,**
Foshan (CN)

(72) Inventor: **Biyu Tan, Foshan (CN)**

(73) Assignee: **FOSHAN SHUNDE MIDEA WATER DISPENSER MFG. CO., LTD.,**
Foshan (CN)

(**) Term: **15 Years**

(21) Appl. No.: **29/601,310**

(22) Filed: **Apr. 21, 2017**

(30) **Foreign Application Priority Data**

Oct. 21, 2016 (CN) 2016 3 0513503

(51) **LOC (11) Cl.** **07-01**

(52) **U.S. Cl.**
USPC **D7/306; D7/311; D7/313**

(58) **Field of Classification Search**
USPC D7/305, 300, 306-311, 313, 301;
99/275; 222/78; D23/207
CPC A47J 31/057; A47J 31/54; A47J 31/58;
F25D 31/006; B67D 3/0032
See application file for complete search history.

(56) **References Cited**

U.S. PATENT DOCUMENTS

D256,124 S * 7/1980 Adamson D15/81
D350,453 S * 9/1994 Chaney D7/306

D608,130 S * 1/2010 Moon D7/306
D642,849 S * 8/2011 Wang D7/306
D643,239 S * 8/2011 Wang D7/306
D643,668 S * 8/2011 Yui D7/307
D651,842 S * 1/2012 Spear D7/306
D660,636 S * 5/2012 Wang D7/306
D671,346 S * 11/2012 Zlatic D23/208
D683,173 S * 5/2013 Liang D7/306
D701,070 S * 3/2014 Ferrero D7/306
D714,580 S * 10/2014 Moon D7/307
D759,194 S * 6/2016 Wei D23/207
D795,629 S * 8/2017 Ullman D7/306
D799,255 S * 10/2017 Ullman D7/306

* cited by examiner

Primary Examiner — Marianne N Pandozzi

(74) *Attorney, Agent, or Firm* — Kilpatrick Townsend & Stockton, LLP

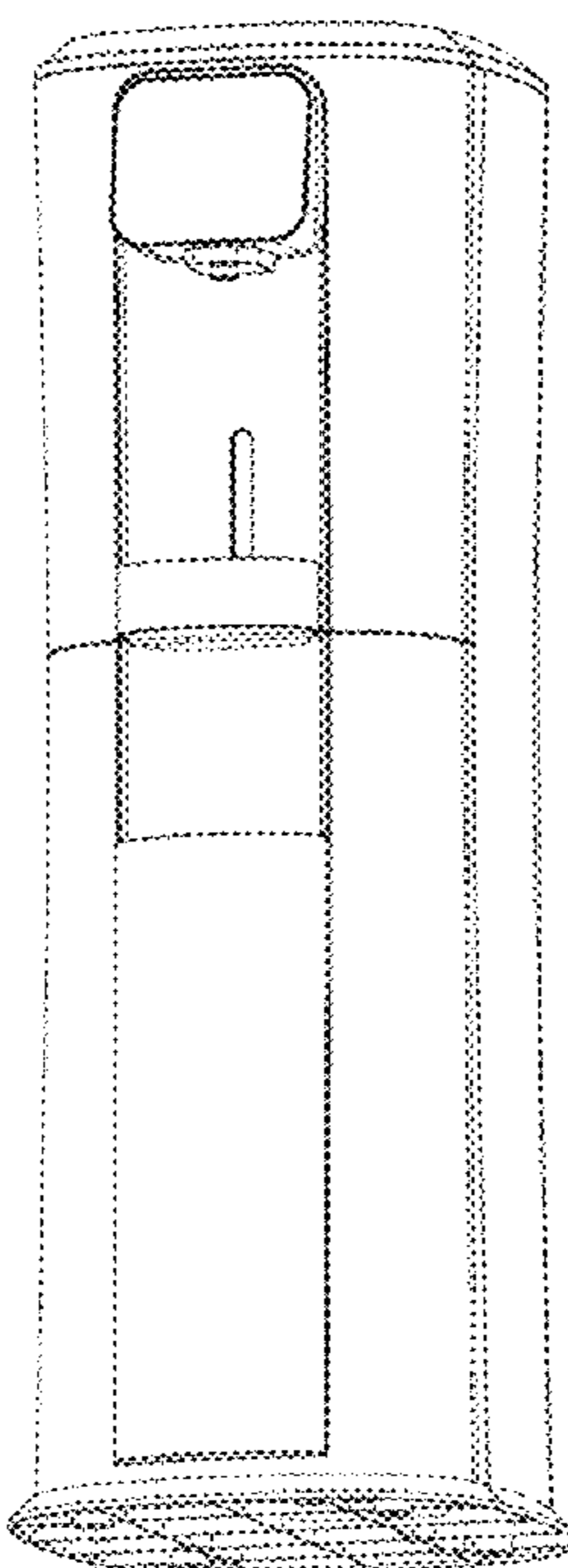
(57) **CLAIM**

The ornamental design for a water dispenser, as shown and described.

DESCRIPTION

FIG. 1 is a perspective view of a water dispenser, showing our new design;
FIG. 2 is a front view thereof;
FIG. 3 is a back view thereof;
FIG. 4 is a right side view thereof;
FIG. 5 is a left side view thereof;
FIG. 6 is a top view thereof; and,
FIG. 7 is a bottom view thereof.

1 Claim, 7 Drawing Sheets



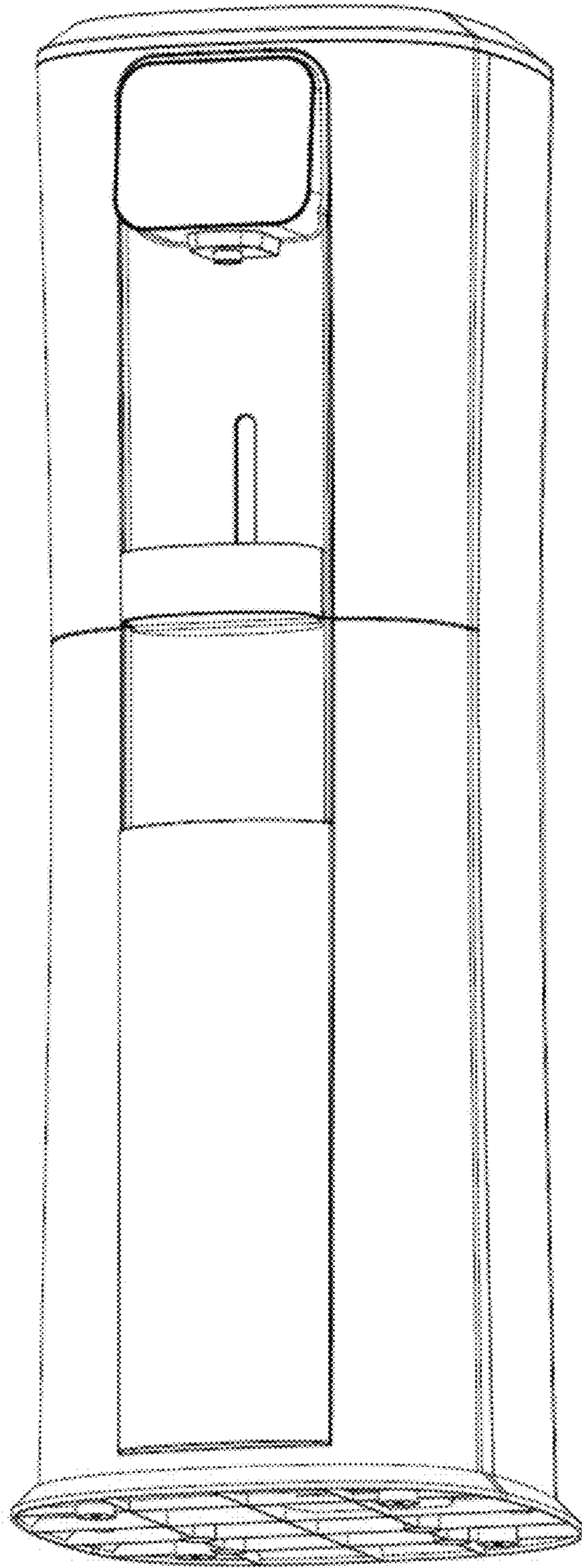


FIG. 1

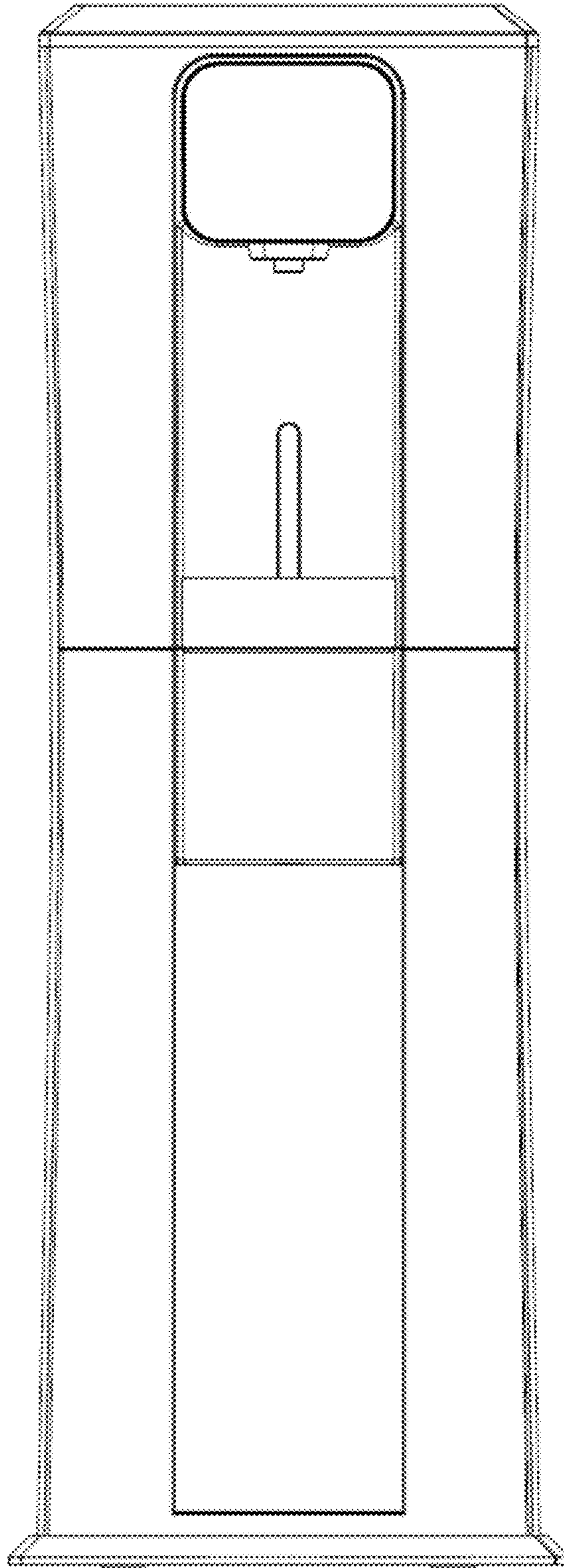


FIG. 2

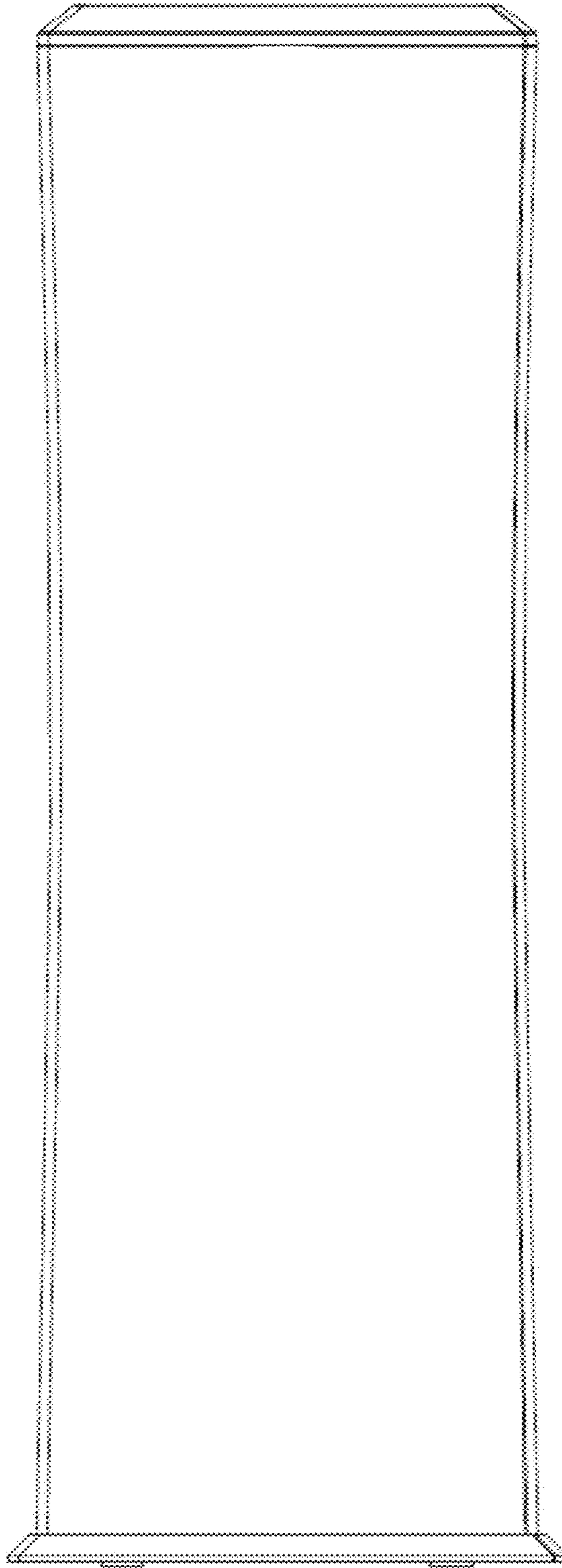


FIG. 3

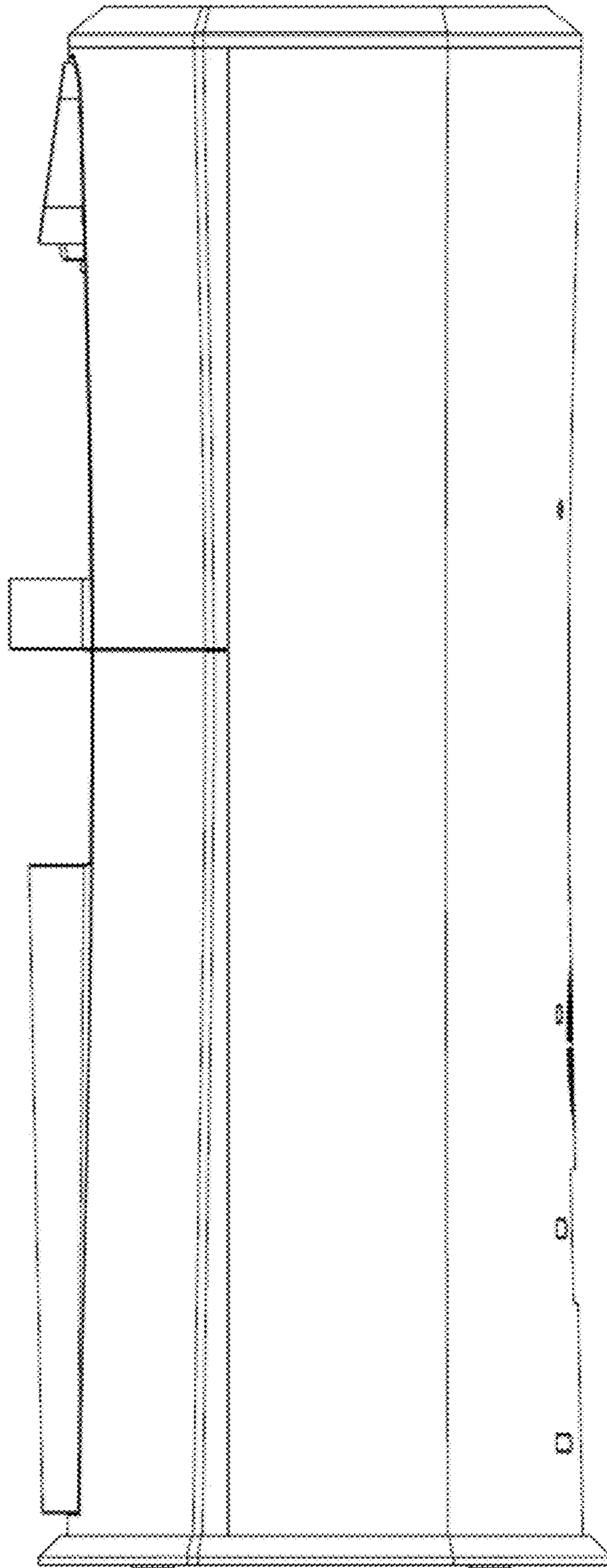


FIG. 4

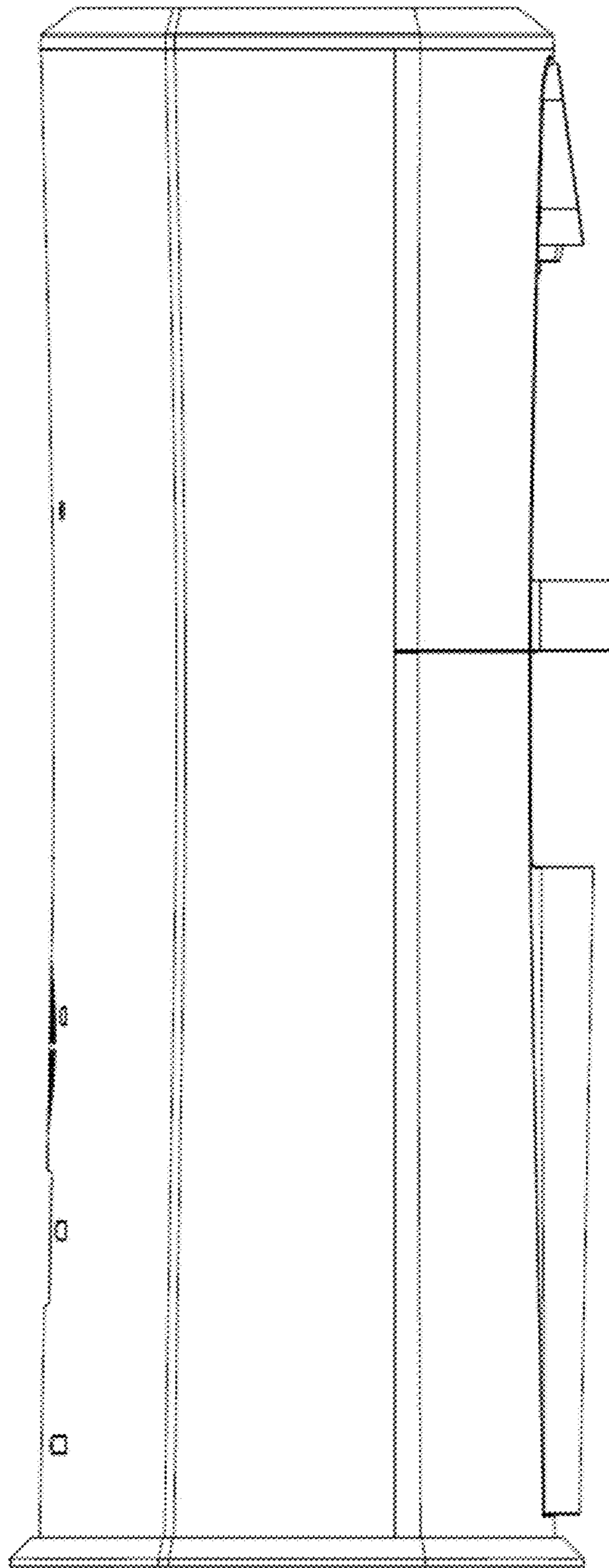


FIG. 5

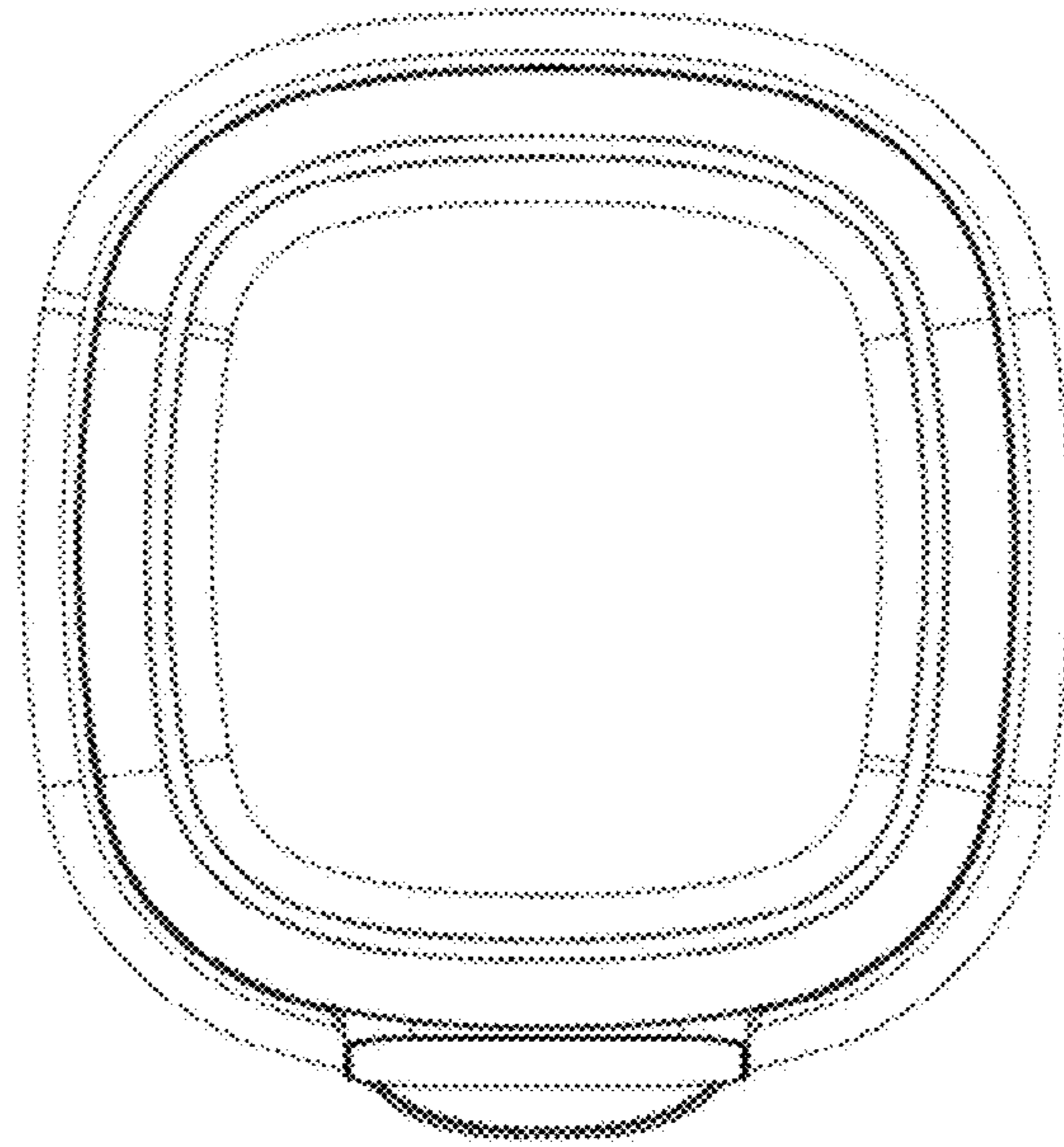


FIG. 6

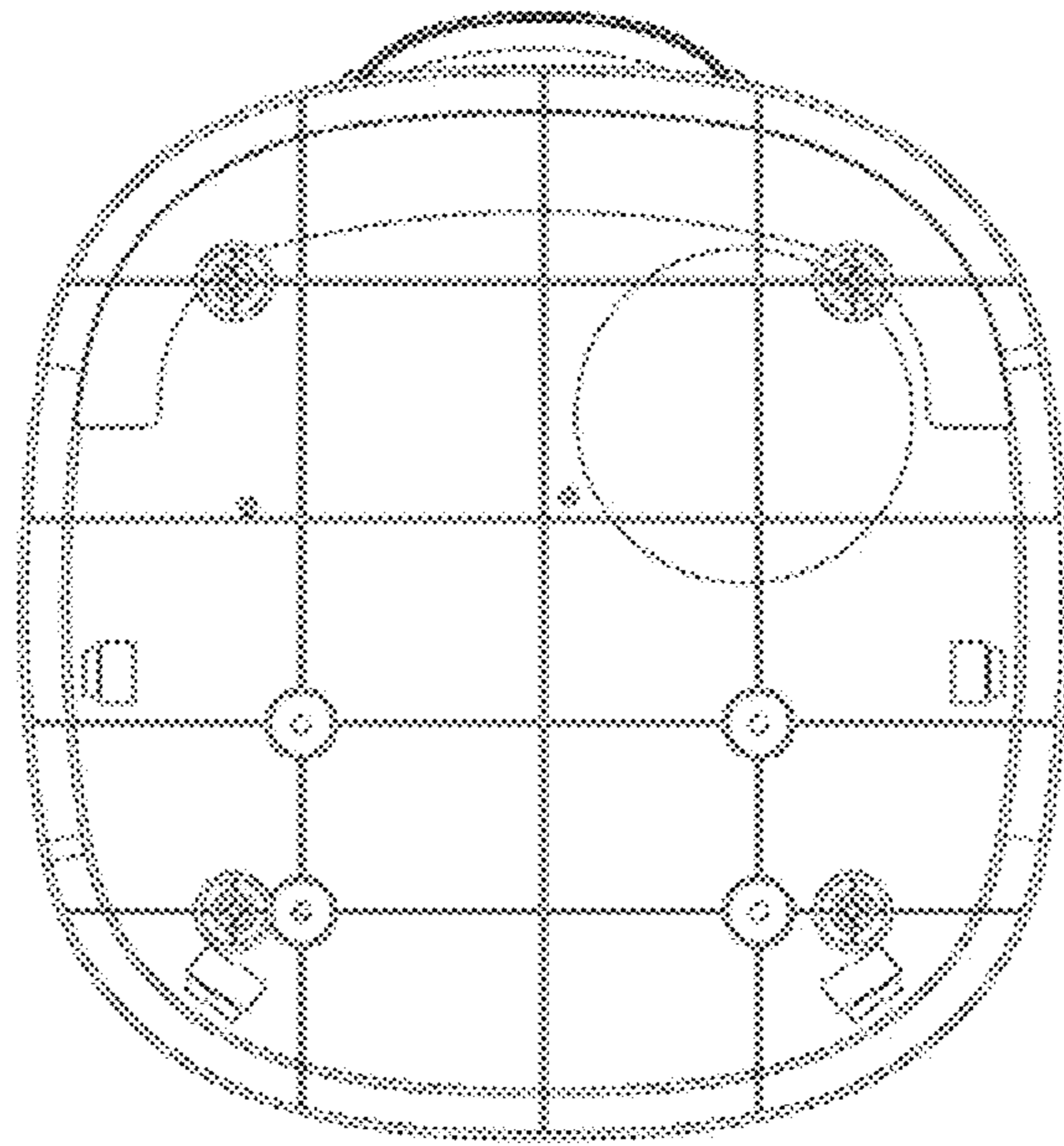


FIG. 7