

US00D846327S

(12) **United States Design Patent** (10) **Patent No.:** **US D846,327 S**
Peterson (45) **Date of Patent:** **** Apr. 23, 2019**

- (54) **DRINKING STRAW**
- (71) Applicant: **Rebecca T. Peterson**, Glen Ridge, NJ (US)
- (72) Inventor: **Rebecca T. Peterson**, Glen Ridge, NJ (US)
- (**) Term: **15 Years**
- (21) Appl. No.: **29/594,483**
- (22) Filed: **Feb. 17, 2017**

Related U.S. Application Data

- (62) Division of application No. 15/050,034, filed on Feb. 22, 2016, now abandoned.
- (51) **LOC (11) Cl.** **07-06**
- (52) **U.S. Cl.**
USPC **D7/300.2**
- (58) **Field of Classification Search**
USPC D7/300.2, 301, 305; D9/436, 716, 718;
D24/108, 110, 112; D21/318, 319, 727,
D21/733, 756, 759, 789
CPC A47G 21/18; A47G 21/183
See application file for complete search history.

(56) **References Cited**

U.S. PATENT DOCUMENTS

- 2,899,050 A * 8/1959 Collins, Jr. B65D 3/10
206/719
- 4,804,733 A * 2/1989 Bataille B29C 61/0608
428/34.9
- D371,269 S * 7/1996 Shattuck D7/300.2
- 6,039,490 A * 3/2000 Banks A46B 9/02
15/104.2
- D427,477 S * 7/2000 Pope D7/300.2
- D483,030 S * 12/2003 Melton D14/230
- D587,953 S * 3/2009 Aliberti D7/300.2
- D757,476 S * 5/2016 O'Neill D7/300.2

- 2005/0116057 A1* 6/2005 Hamer A47G 21/182
239/16
- 2010/0155500 A1* 6/2010 Zaccheo A47G 21/188
239/33
- 2012/0160928 A1* 6/2012 Jo A47G 21/183
239/33
- 2013/0295232 A1* 11/2013 Baron A23C 9/156
426/85

OTHER PUBLICATIONS

“H2O Survival Survival Water Filter Travel Straw”. Found online 0/10/2017 at amazon.com. Page dated Jul. 12, 2014. Retrieved from https://www.amazon.com/H2O-SURVIVAL-BLACK-Water-Stealth-Foreign-Dining/dp/B06XPS4GJP/ref=cm_cr_ar_p_d_product_top?ie=UTF8.*

“Glass Straw Coke Sparkling Water Food Center”. Found online Oct. 10, 2017 at pixabay.com. Page dated Nov. 23, 2015. Retrieved from <https://pixabay.com/en/glass-straw-coke-sparkling-water-1055502/>.*

(Continued)

Primary Examiner — George D. Kirschbaum
Assistant Examiner — Kendra Leslie Hamilton
 (74) *Attorney, Agent, or Firm* — Boag | Law, PLLC

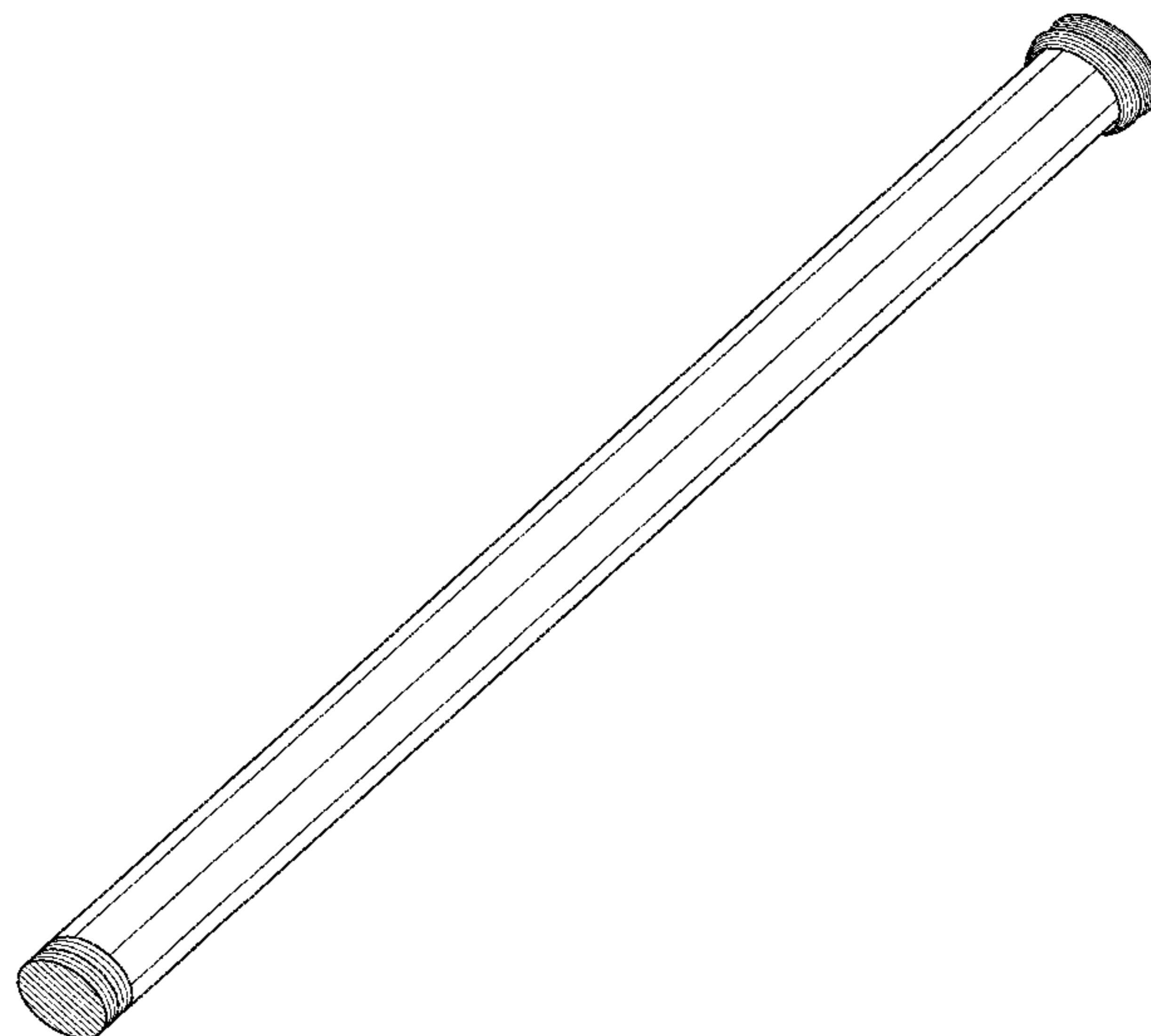
(57) **CLAIM**

The ornamental design for a drinking straw, as shown and described.

DESCRIPTION

FIG. 1 is a bottom front perspective view of a drinking straw showing my new design;
 FIG. 2 is a bottom plan view thereof;
 FIG. 3 is a front elevation view, the rear elevation view being a mirror image view thereof; and,
 FIG. 4 is a top plan view thereof.
 The drawings are shaded to indicate contrasting surfaces. In FIG. 4, the dash-dot-dash lines at the top end of the straw indicate boundaries of the claim.

1 Claim, 2 Drawing Sheets



(56)

References Cited

OTHER PUBLICATIONS

“Dovajeans Water Filter Straw”. Found online Oct. 10, 2017 at amazon.com. Page dated Mar. 16, 2015. Retrieved from https://www.amazon.com/Filter-Emergency-Camping-Hiking-Survival/dp/B00JORFS5W/ref=sr_1_67?ie=UTF8&qid=1507666039&sr=8-67&keywords=water+purification+straw.*

“Coffee & Tea Glass Filter Straws”. Found online Oct. 10, 2017 at breweddaily.com. Page dated Jul. 11, 2009. Retrieved from [http://breweddaily.com/2009/07/coffee-tea-glass-filter-straws/.*](http://breweddaily.com/2009/07/coffee-tea-glass-filter-straws/)

* cited by examiner

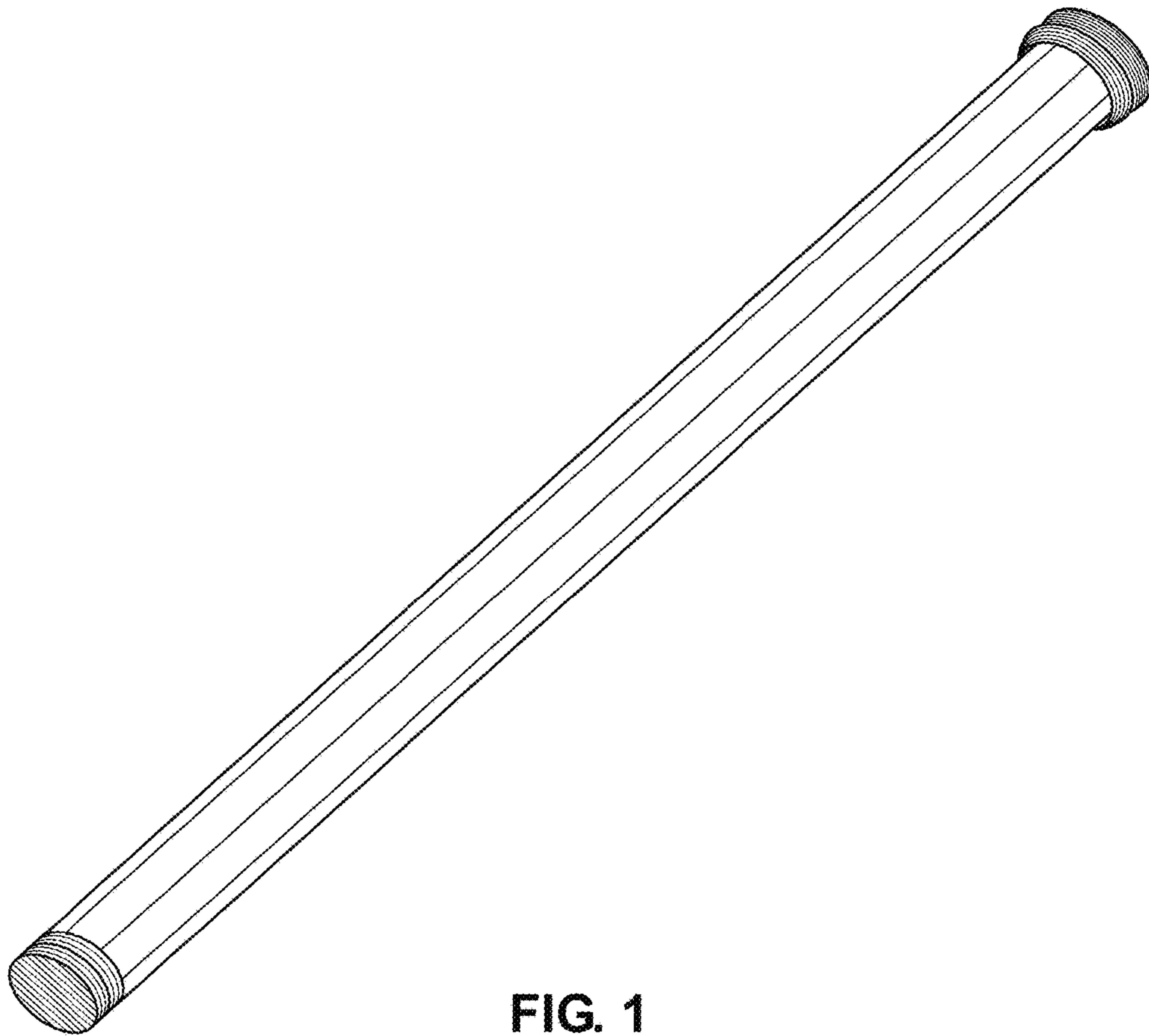


FIG. 1

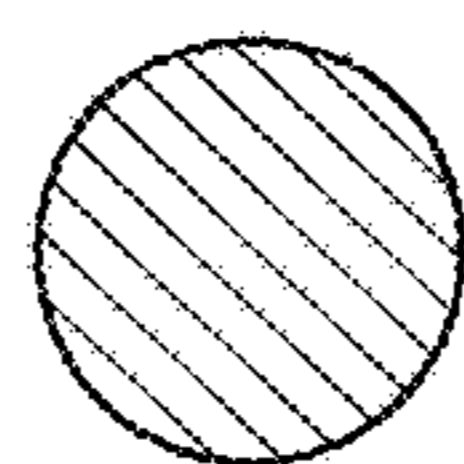


FIG. 2

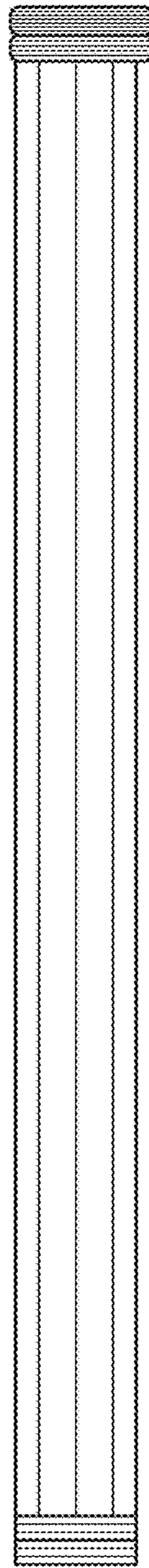


FIG. 3

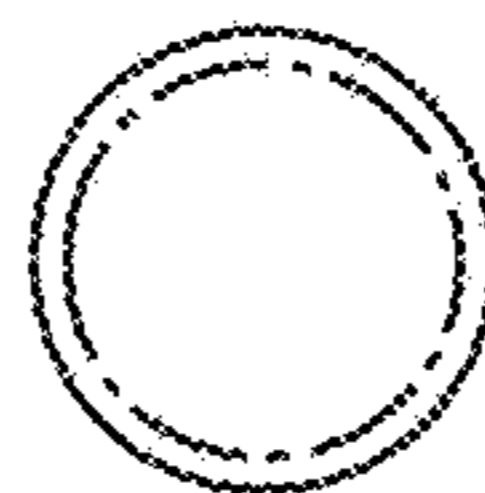


FIG. 4