



US00D846324S

(12) **United States Design Patent**  
**Tsai**

(10) **Patent No.:** **US D846,324 S**

(45) **Date of Patent:** **\*\* Apr. 23, 2019**

(54) **CHAIR BACK**

(71) Applicant: **Hsuan-Chin Tsai**, Chai-Yi Hsien (TW)

(72) Inventor: **Hsuan-Chin Tsai**, Chai-Yi Hsien (TW)

(\*\*) Term: **15 Years**

(21) Appl. No.: **29/616,217**

(22) Filed: **Sep. 5, 2017**

(51) **LOC (11) Cl.** ..... **06-01**

(52) **U.S. Cl.**

USPC ..... **D6/716.4**; D6/366

(58) **Field of Classification Search**

USPC ..... D6/334-336, 366, 367, 374, 379, 380,  
D6/716, 716.4

CPC .... A47C 7/16; A47C 7/40; A47C 7/46; A47C  
7/02; A47C 7/18; A47C 7/24

See application file for complete search history.

(56) **References Cited**

**U.S. PATENT DOCUMENTS**

D350,032 S *	8/1994	Beaulieu	.....	D6/366
D351,291 S *	10/1994	Volkle	.....	D6/366
D368,596 S *	4/1996	Breen	.....	D6/716
D387,917 S *	12/1997	Tedesco	.....	D6/366
D391,790 S *	3/1998	Breen	.....	D6/716
D418,685 S *	1/2000	Kaczmarek	.....	D6/366

D422,815 S *	4/2000	Grove	.....	D6/716
D491,396 S *	6/2004	Lee	.....	D6/366
D495,167 S *	8/2004	Chu	.....	D6/716
D511,914 S *	11/2005	Edwards	.....	A47C 7/40 D6/716.4
D569,117 S *	5/2008	Bernett	.....	D6/366
D569,636 S *	5/2008	Wagner	.....	D6/366

\* cited by examiner

*Primary Examiner* — Mimoso De

(74) *Attorney, Agent, or Firm* — Alan D. Kamrath;  
Kamrath IP Lawfirm, P.A.

(57) **CLAIM**

The ornamental design for a chair back, as shown and described.

**DESCRIPTION**

FIG. 1 is a perspective view of a chair back, showing my new design;

FIG. 2 is a front elevational view thereof;

FIG. 3 is a rear elevational view thereof;

FIG. 4 is a left side view thereof;

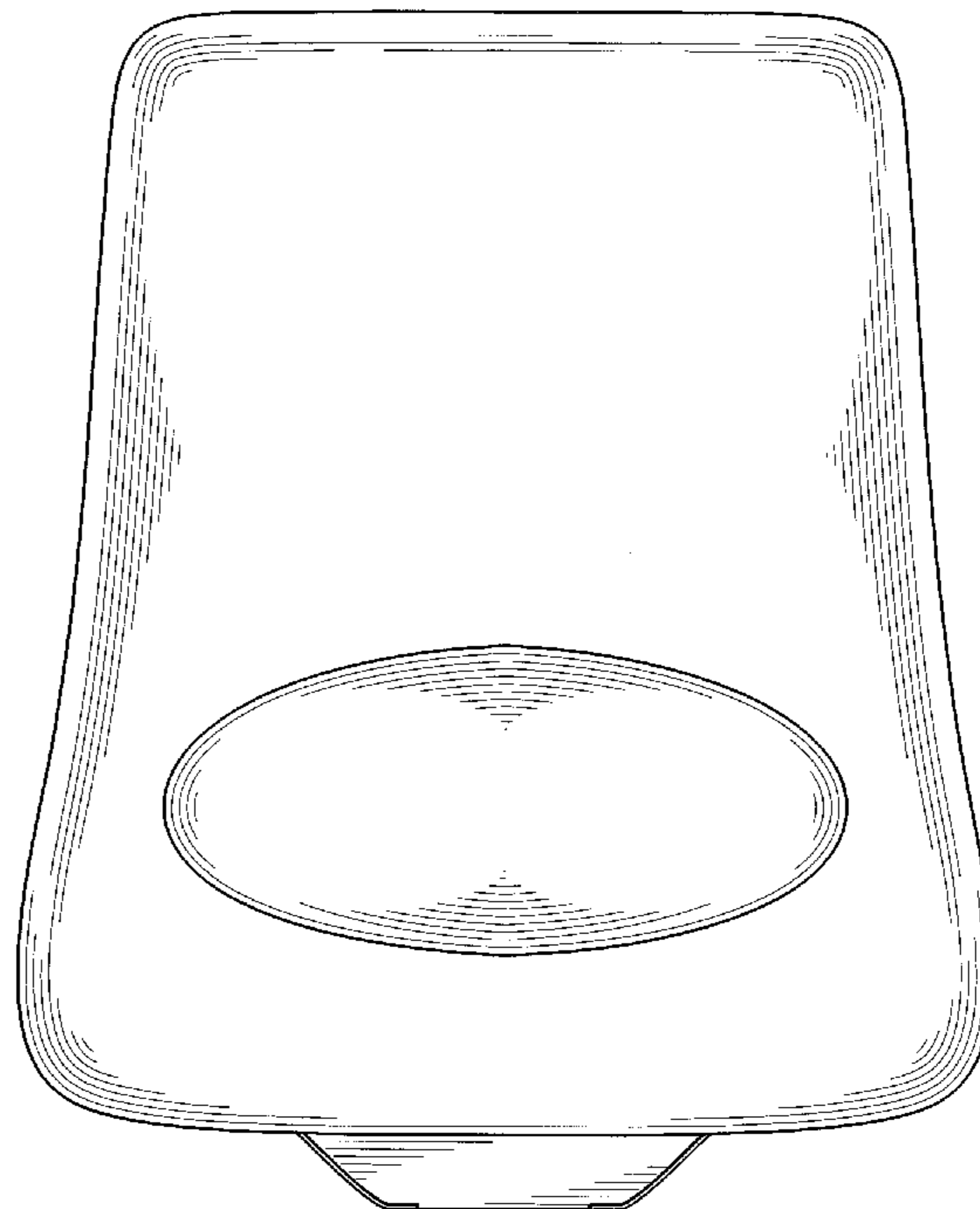
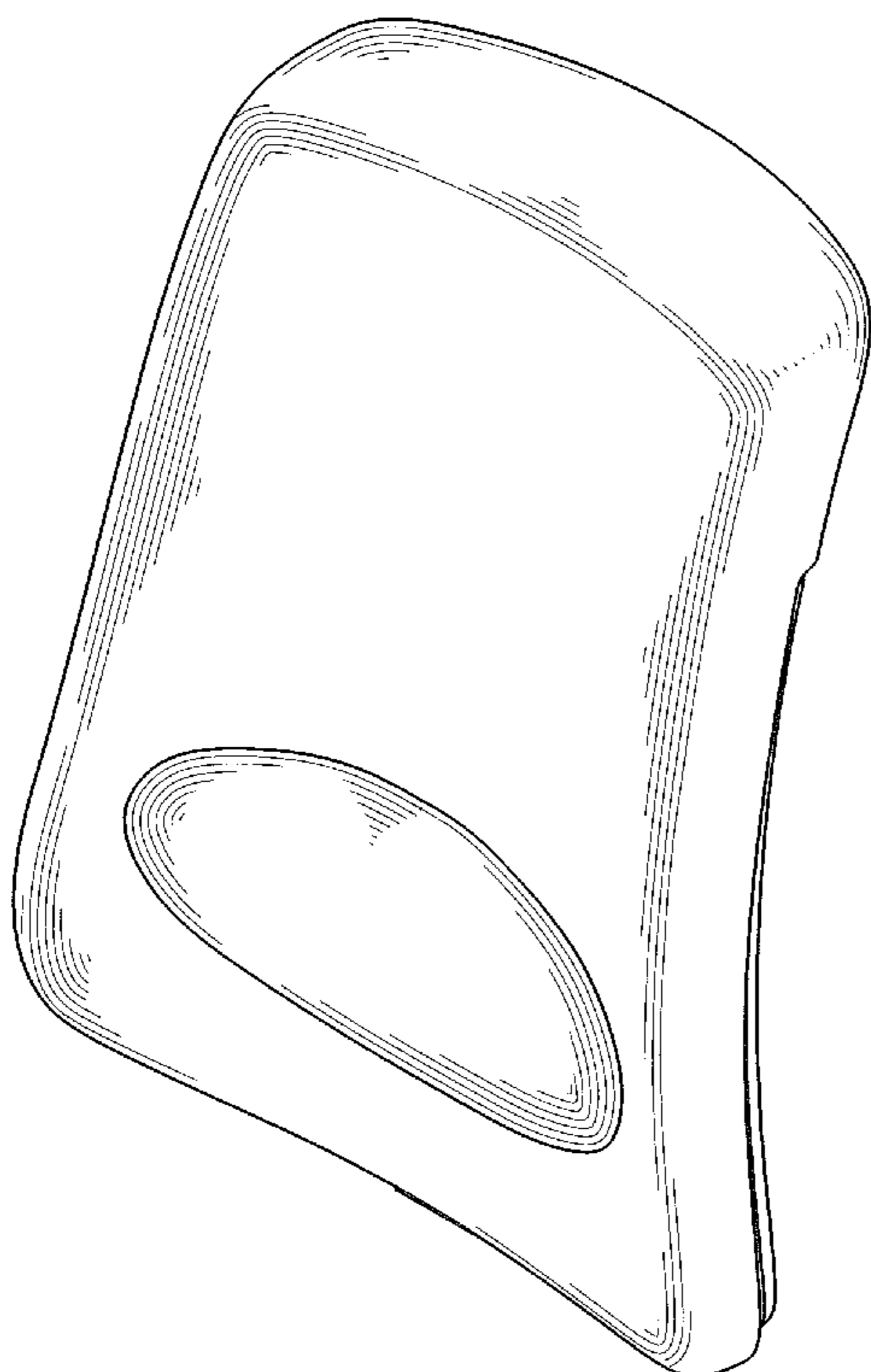
FIG. 5 is a right side view thereof;

FIG. 6 is a top plan view thereof; and,

FIG. 7 is a bottom plan view thereof.

The broken lines depict portions of the chair back in which the design is embodied that form no part of the claimed design.

**1 Claim, 5 Drawing Sheets**



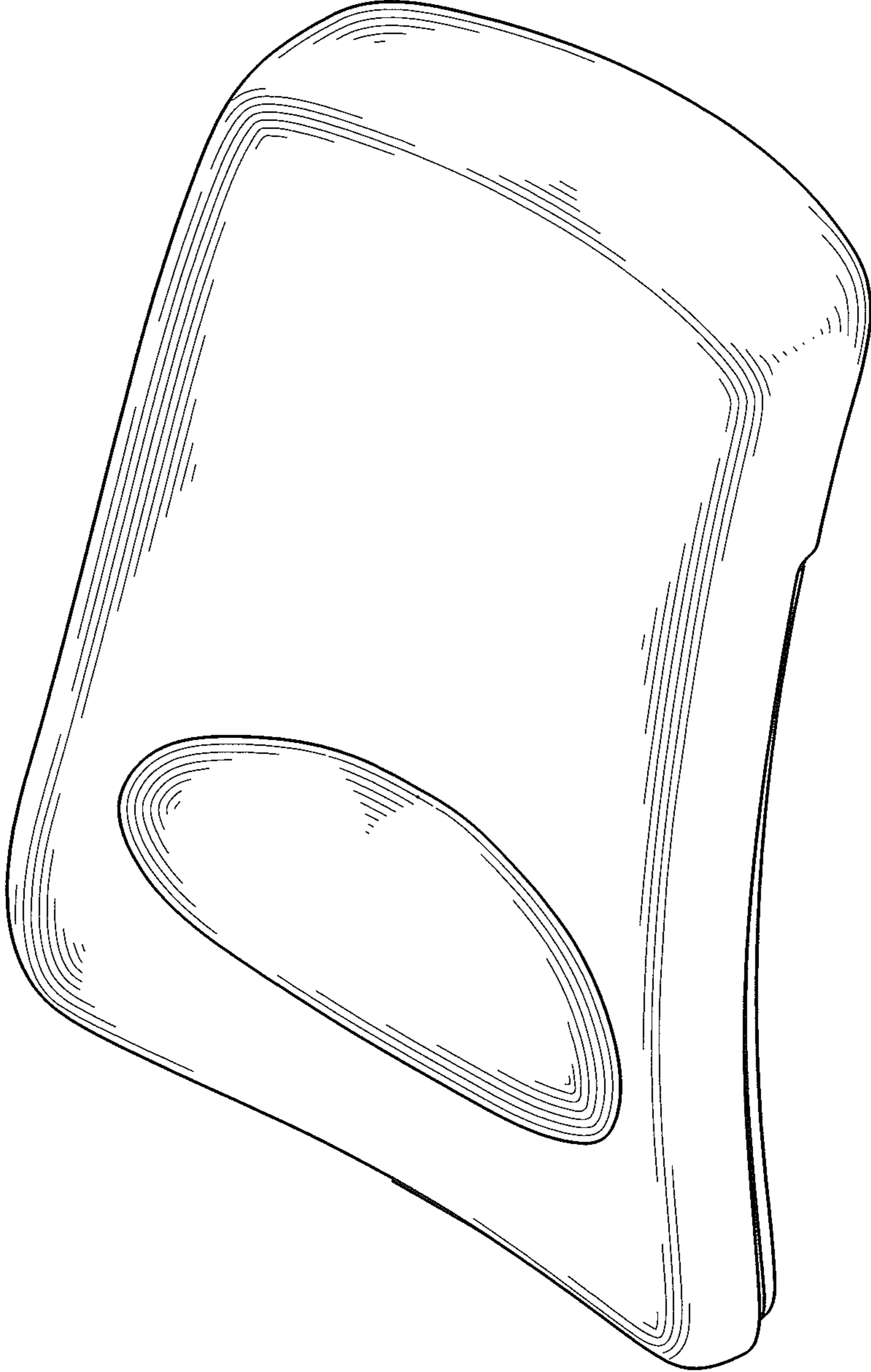


FIG. 1

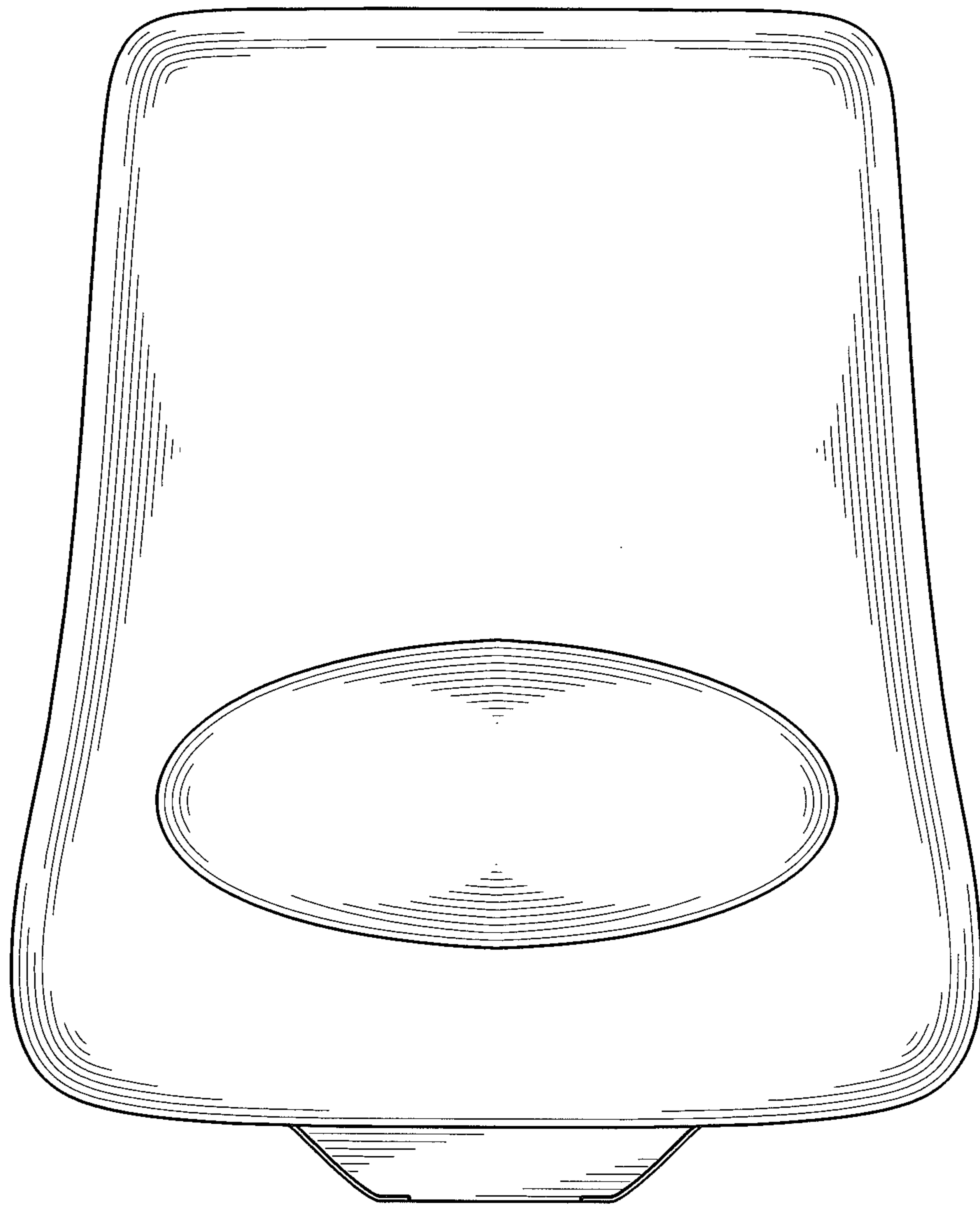


FIG. 2

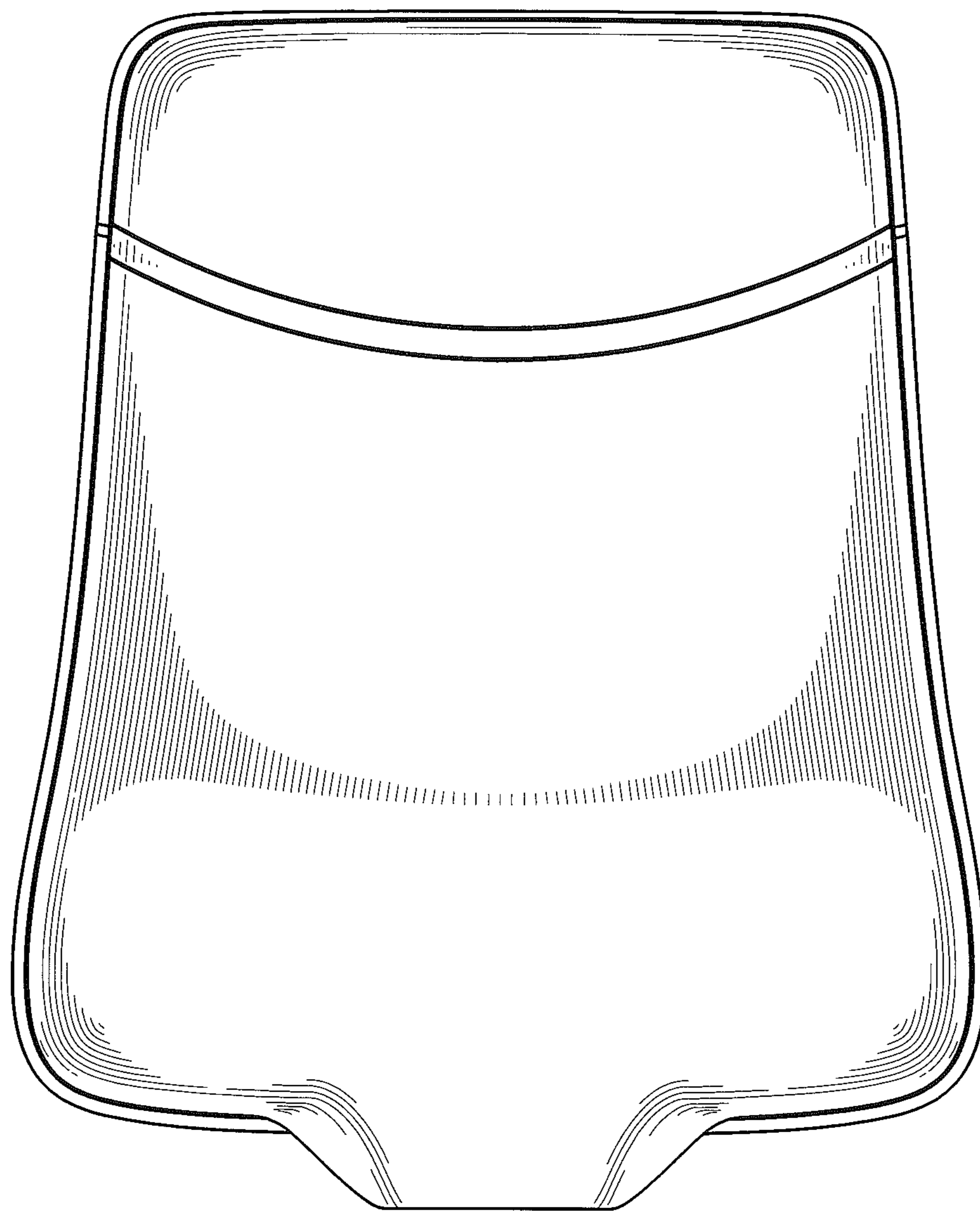


FIG. 3

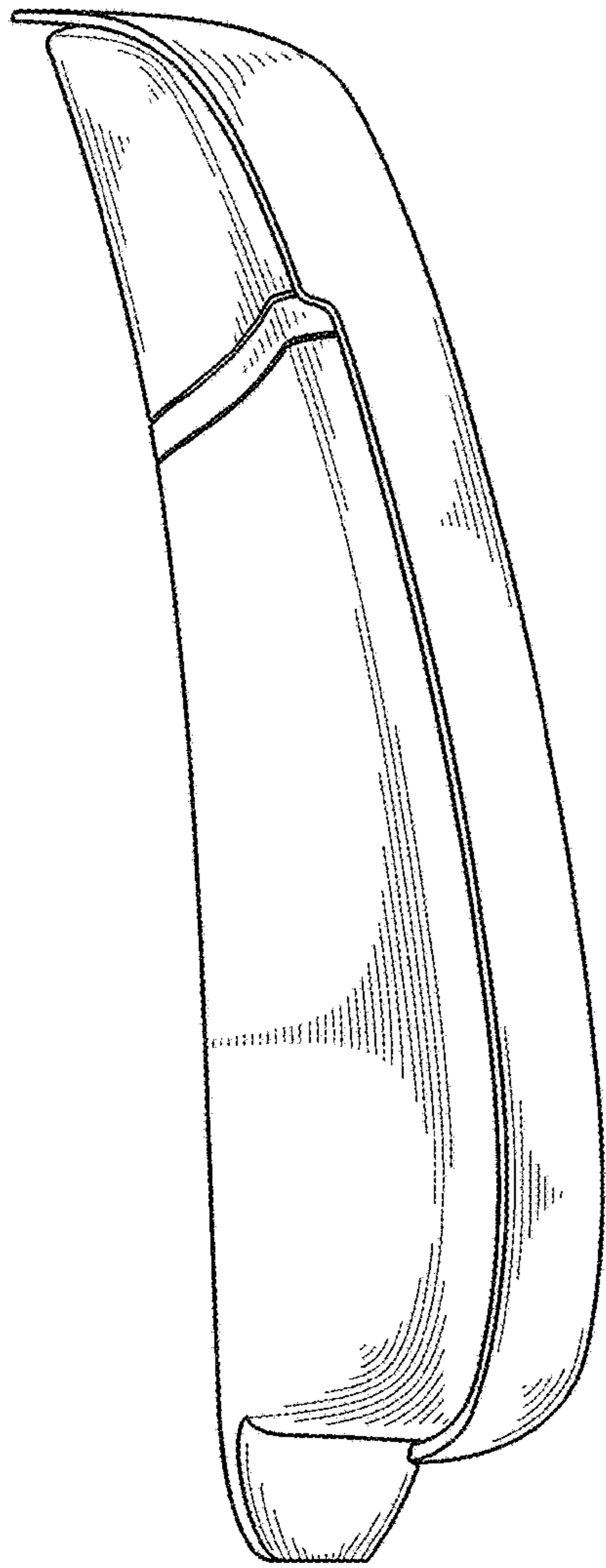


FIG. 4

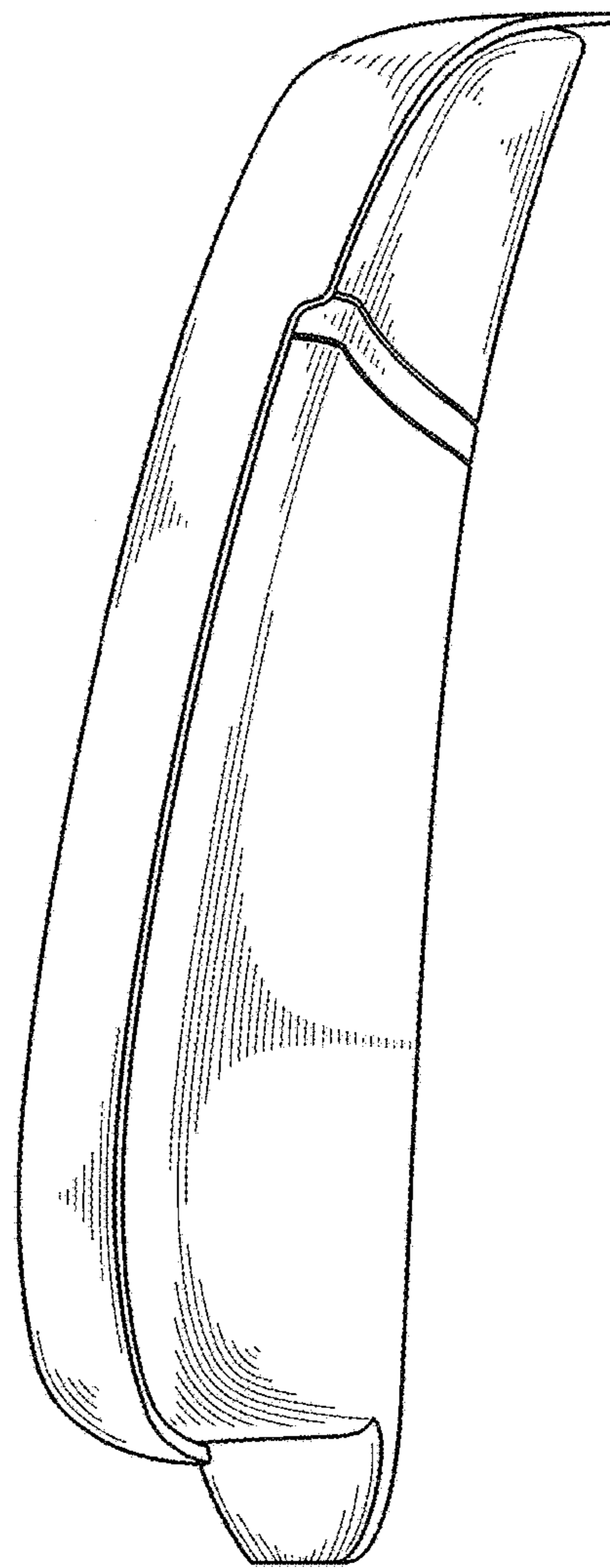


FIG. 5



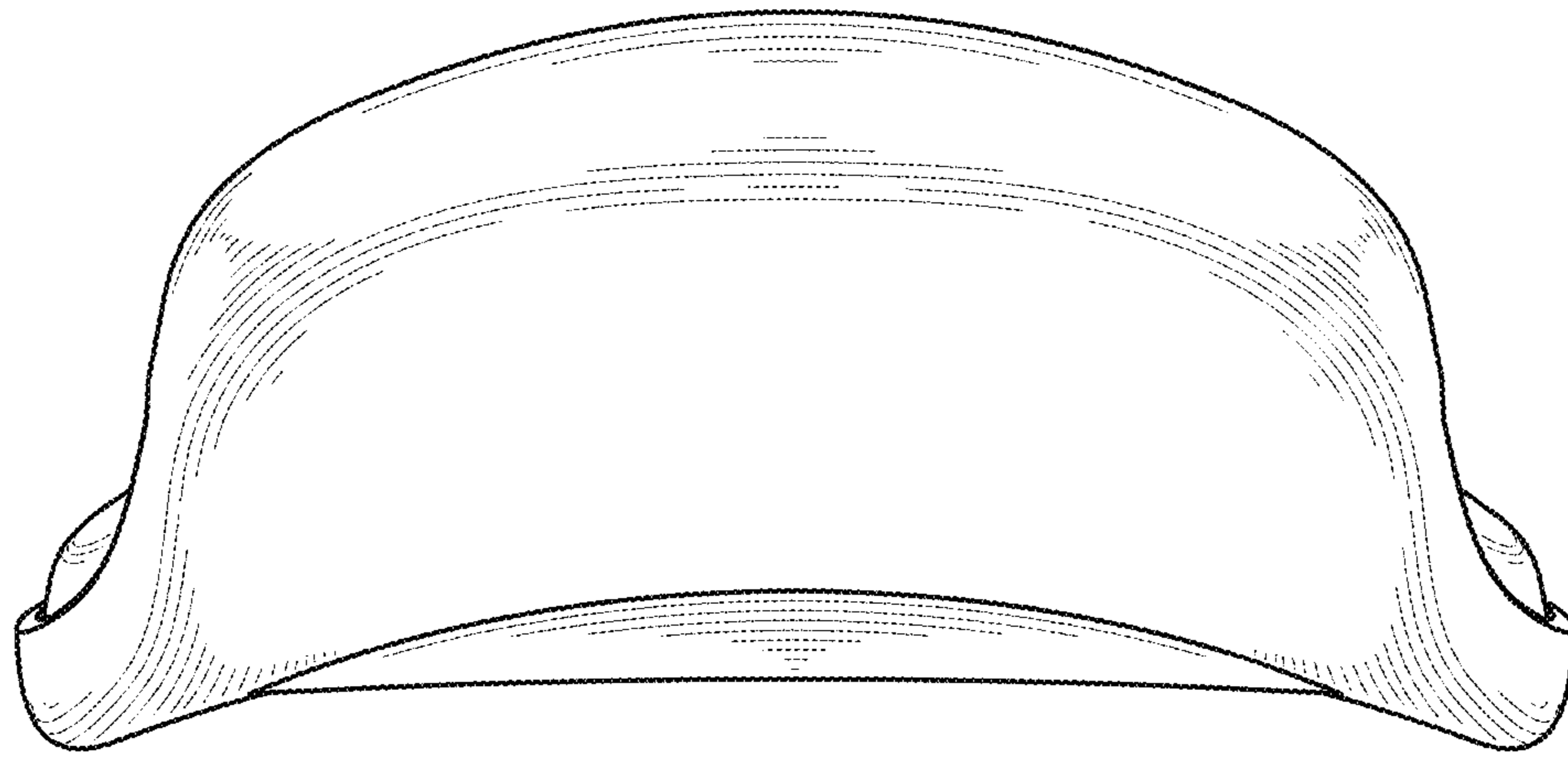


FIG. 6

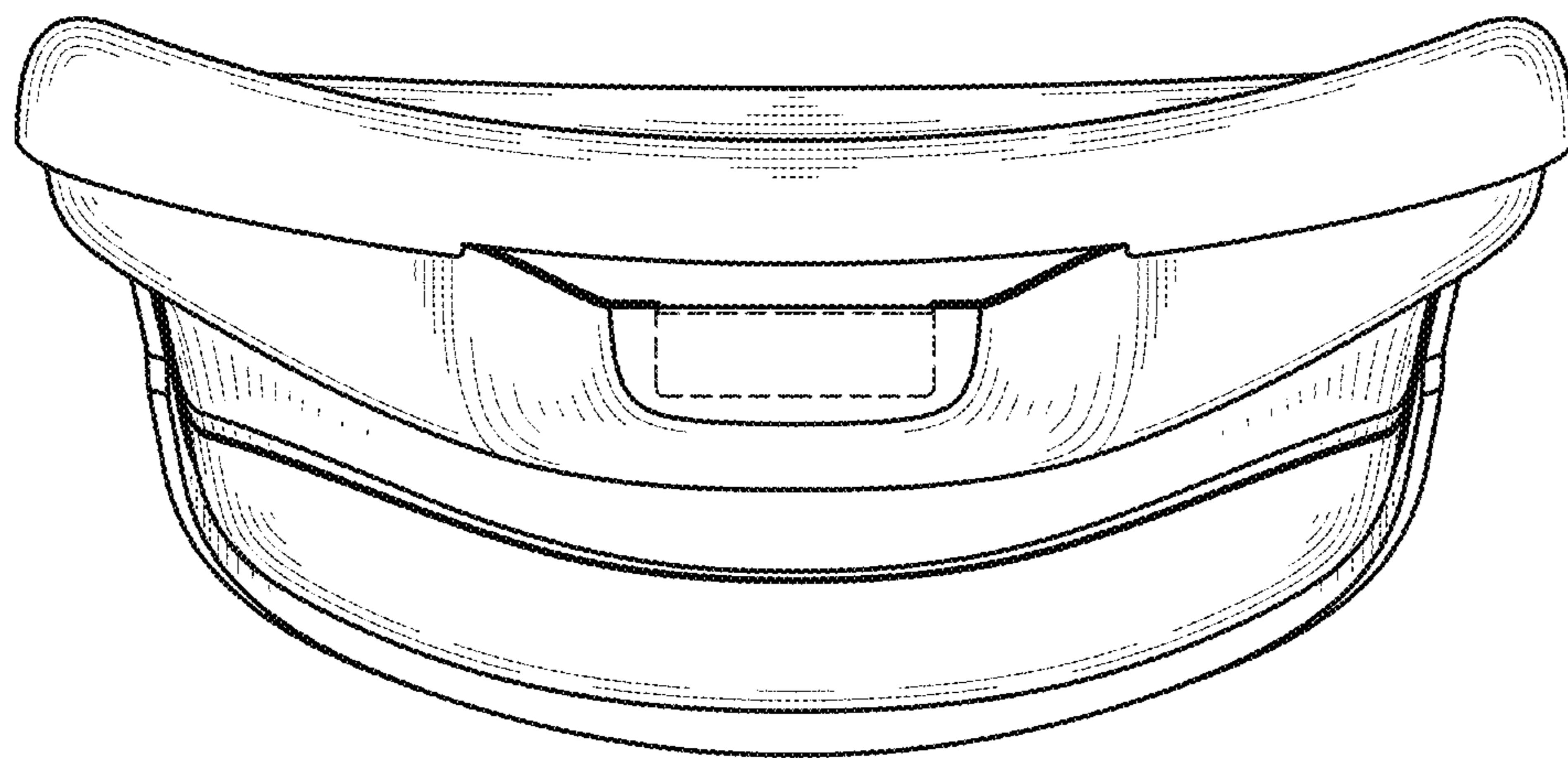


FIG. 7