



US00D846321S

(12) **United States Design Patent** (10) **Patent No.:** **US D846,321 S**  
**Vandervorst** (45) **Date of Patent:** **\*\* Apr. 23, 2019**

(54) **GUITAR STAND** 6,121,527 A \* 9/2000 Hamm ..... G10G 5/00  
84/327  
(71) Applicant: **Pascal Vandervorst**, Erps-Kwerps (BE) D506,774 S \* 6/2005 Stevens ..... D17/99  
D610,835 S \* 3/2010 Mono ..... D6/682  
(72) Inventor: **Pascal Vandervorst**, Erps Kwerps (BE) D628,830 S \* 12/2010 Mono ..... D6/682.3  
D646,505 S \* 10/2011 Eason ..... D6/682.3  
D707,475 S \* 6/2014 Triato ..... G10G 5/00  
D6/682.3  
(\*\*) Term: **15 Years** D784,056 S \* 4/2017 Van Herpe ..... G10G 5/00  
D6/682  
(21) Appl. No.: **35/503,541**

(22) Filed: **Jul. 13, 2017**

\* cited by examiner

(80) **Hague Agreement Data**

*Primary Examiner* — Mary Ann Calabrese

Int. Filing Date: **Jul. 13, 2017**  
Int. Reg. No.: **DM/097243**  
Int. Reg. Date: **Jul. 13, 2017**  
Int. Reg. Pub. Date: **Aug. 18, 2017**

(74) *Attorney, Agent, or Firm* — Young & Thompson

(30) **Foreign Application Priority Data**

(57) **CLAIM**

Feb. 15, 2017 (EM) ..... 003754803

The ornamental design for a guitar stand, as shown and described.

(51) **LOC (11) Cl.** ..... **06-04**

(52) **U.S. Cl.**  
USPC ..... **D6/682**

**DESCRIPTION**

(58) **Field of Classification Search**  
USPC ..... D6/682, 682.3, 682.4, 682.5  
CPC ..... A47F 7/00; A47F 7/0021; G10G 5/00  
See application file for complete search history.

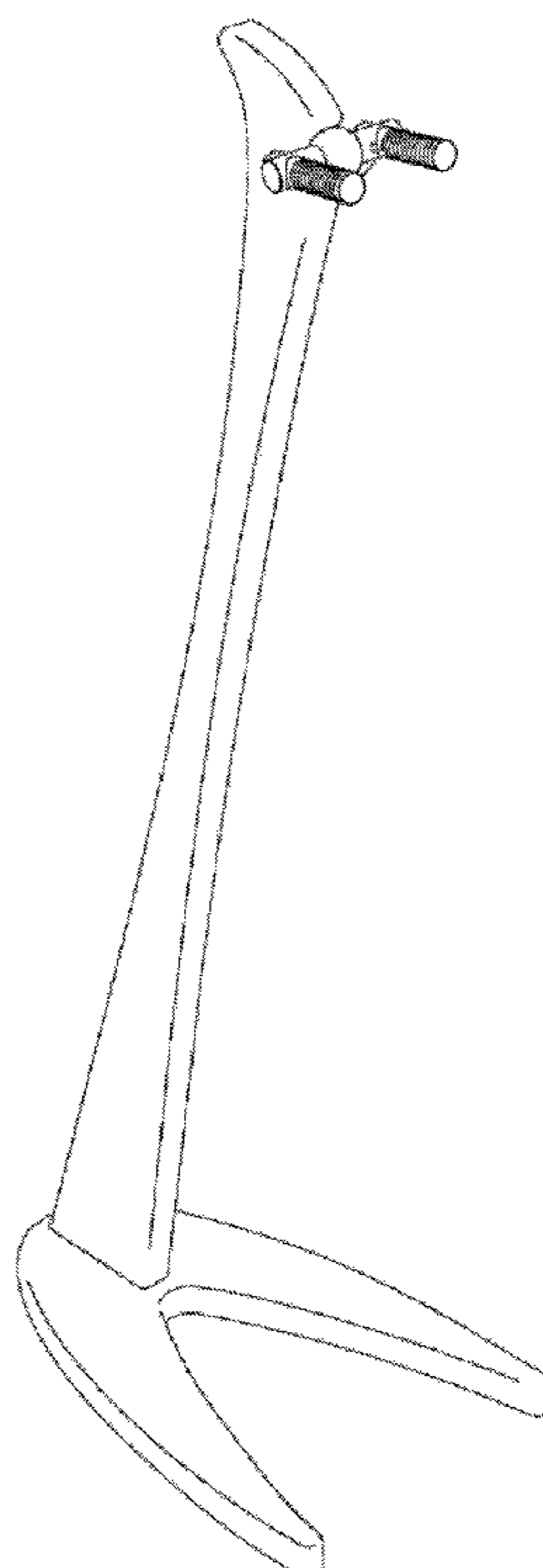
- 1. Guitar stand
- 1.1 is a perspective view.
- 1.2 is a side view.
- 1.3 is a rear view.
- 1.4 is a front view.
- 1.5 is a top view.
- 1.6 is a bottom view.

(56) **References Cited**

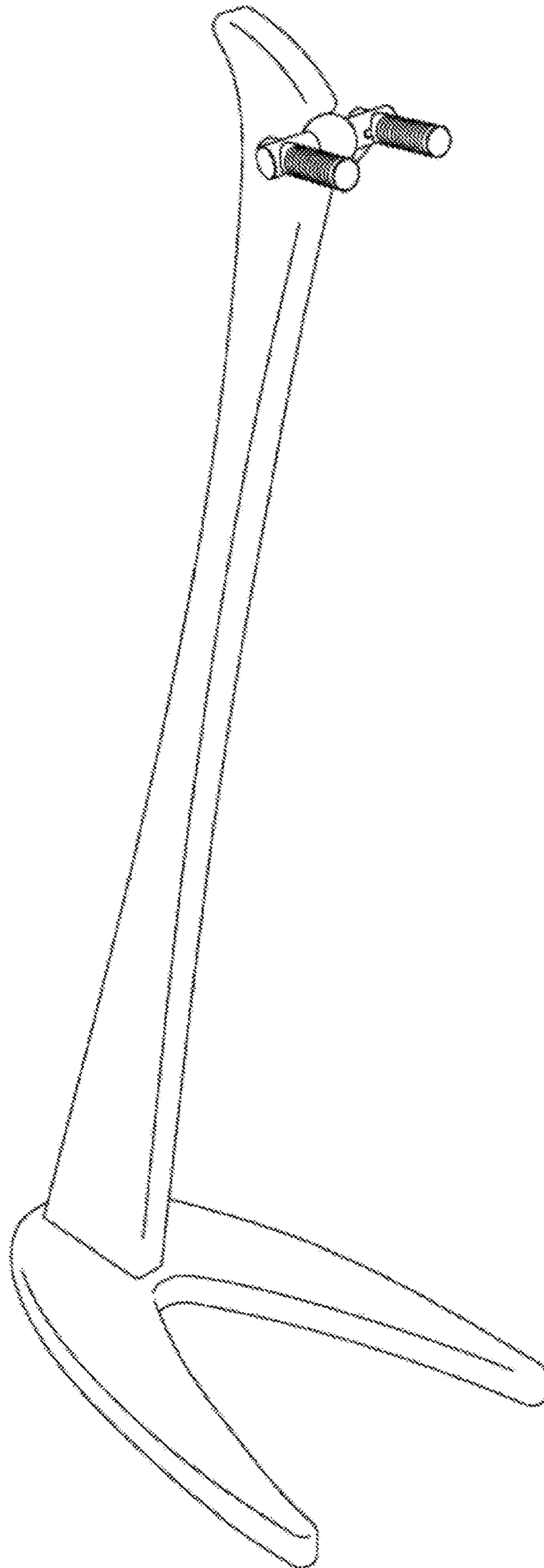
**U.S. PATENT DOCUMENTS**

D353,729 S \* 12/1994 MacOwan ..... D6/682  
5,852,250 A \* 12/1998 Cha ..... G10G 5/00  
84/327

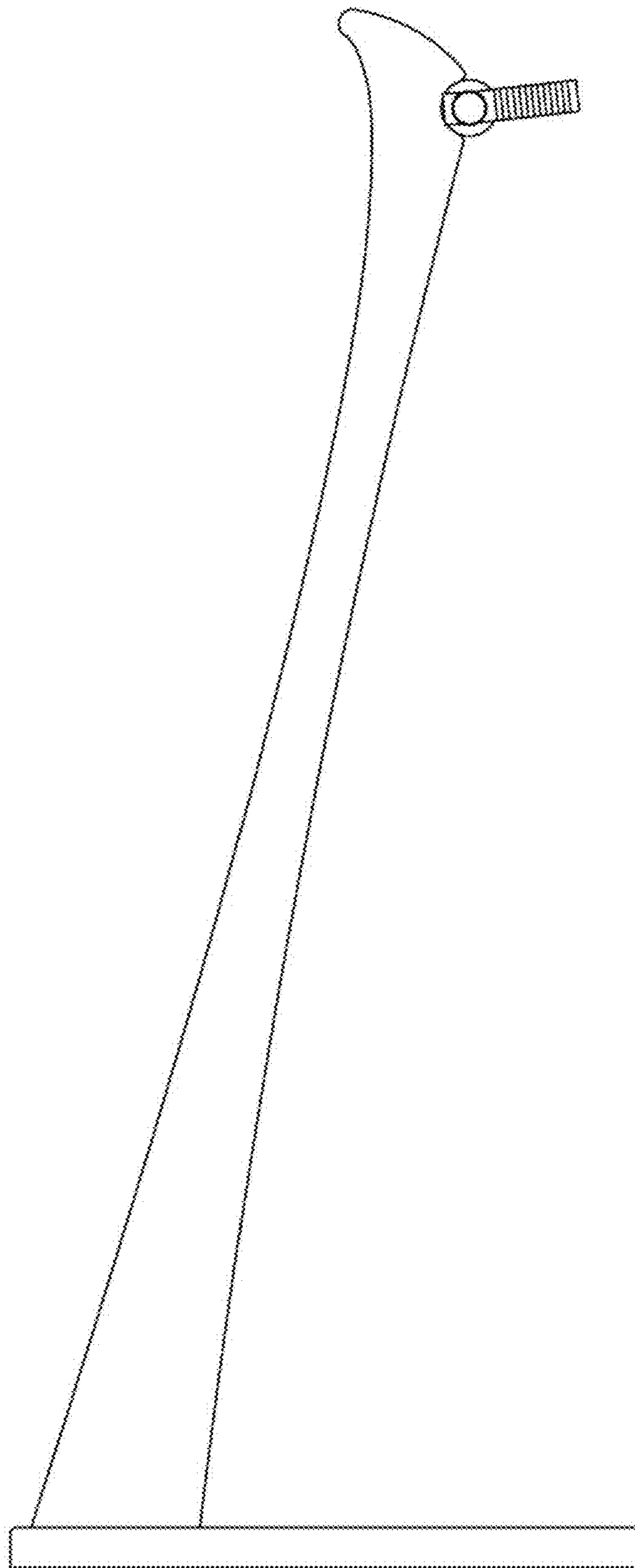
**1 Claim, 6 Drawing Sheets**



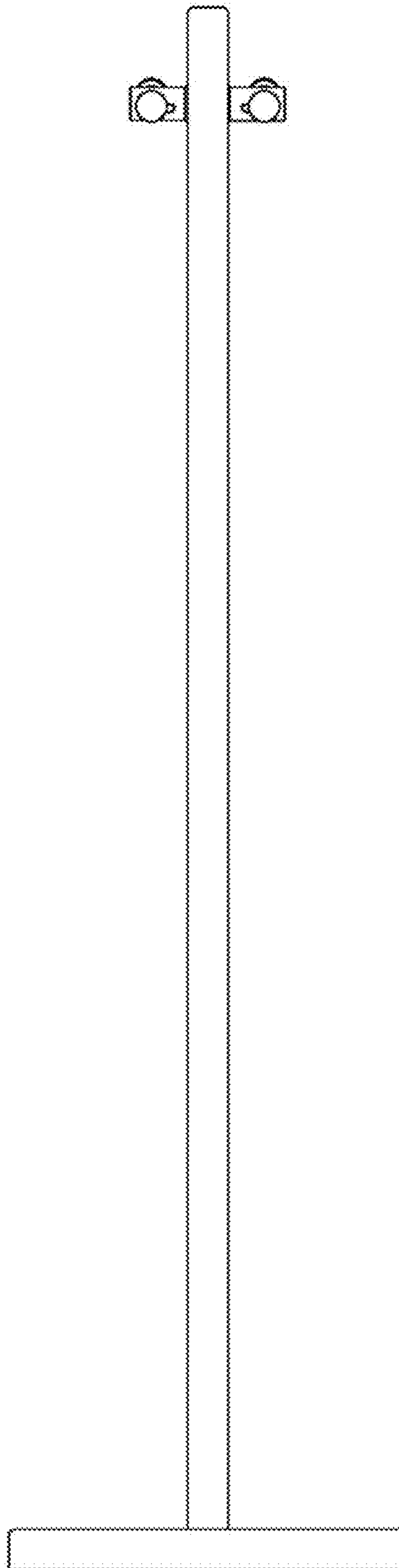
1.1



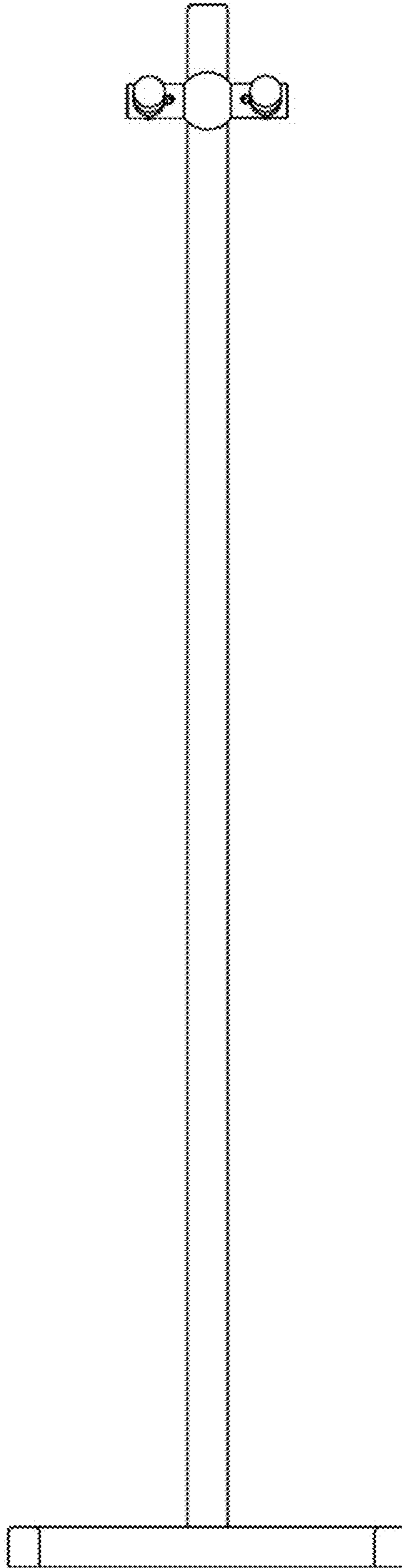
1.2



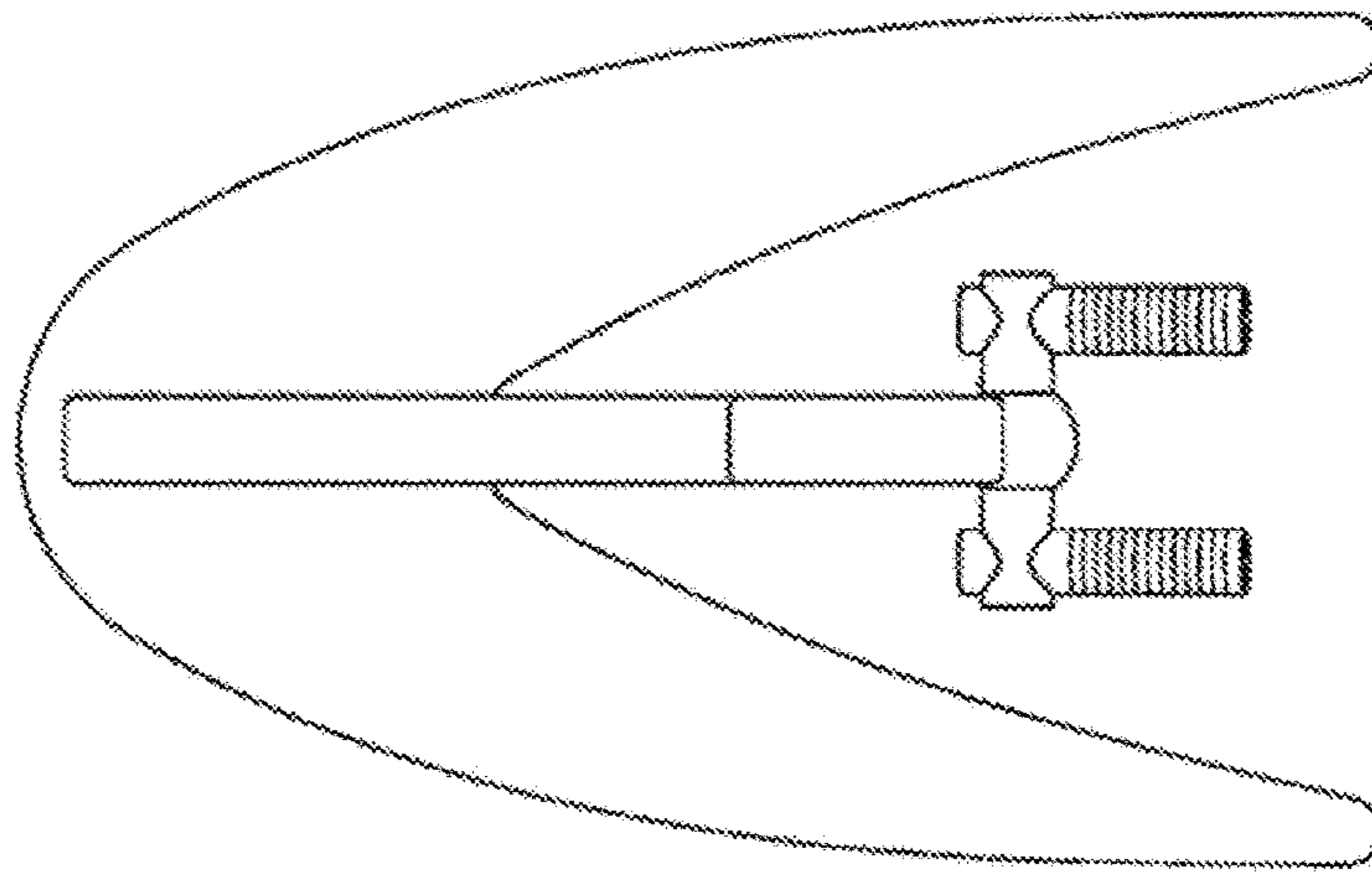
1.3



1.4



1.5



1.6

