



US00D846320S

(12) **United States Design Patent** (10) **Patent No.:** **US D846,320 S**
Loy (45) **Date of Patent:** **** Apr. 23, 2019**

(54) **FLEXIBLE AND EXPANDABLE FABRIC SHOE HOLDER**

(71) Applicant: **Apollo Marketing Group, LLC**,
Brighton, MI (US)

(72) Inventor: **LuAnn J. Loy**, Brighton, MI (US)

(73) Assignee: **APOLLO MARKETING GROUP, LLC**, Brighton, MI (US)

(**) Term: **15 Years**

(21) Appl. No.: **29/630,251**

(22) Filed: **Dec. 20, 2017**

(51) **LOC (11) Cl.** **06-06**

(52) **U.S. Cl.**
USPC **D6/682**

(58) **Field of Classification Search**
USPC D6/319, 328, 682, 682.4, 682.5; D2/979
CPC A47F 5/0018; B65D 21/00
See application file for complete search history.

(56) **References Cited**

U.S. PATENT DOCUMENTS

D265,523 S * 7/1982 Mermer 224/221
D325,089 S * 3/1992 Shaw D24/206
D335,008 S * 4/1993 Abel D32/36

D459,838 S * 7/2002 Parkins D29/121.1
D603,771 S * 11/2009 Liu D12/180
D605,452 S * 12/2009 Chan D6/601
D692,124 S * 10/2013 Austin D24/110.1
D749,342 S * 2/2016 Escandon D6/682

* cited by examiner

Primary Examiner — Kelley A Donnelly

(74) *Attorney, Agent, or Firm* — Mitchell Law PLLC;
Matthew W. Mitchell

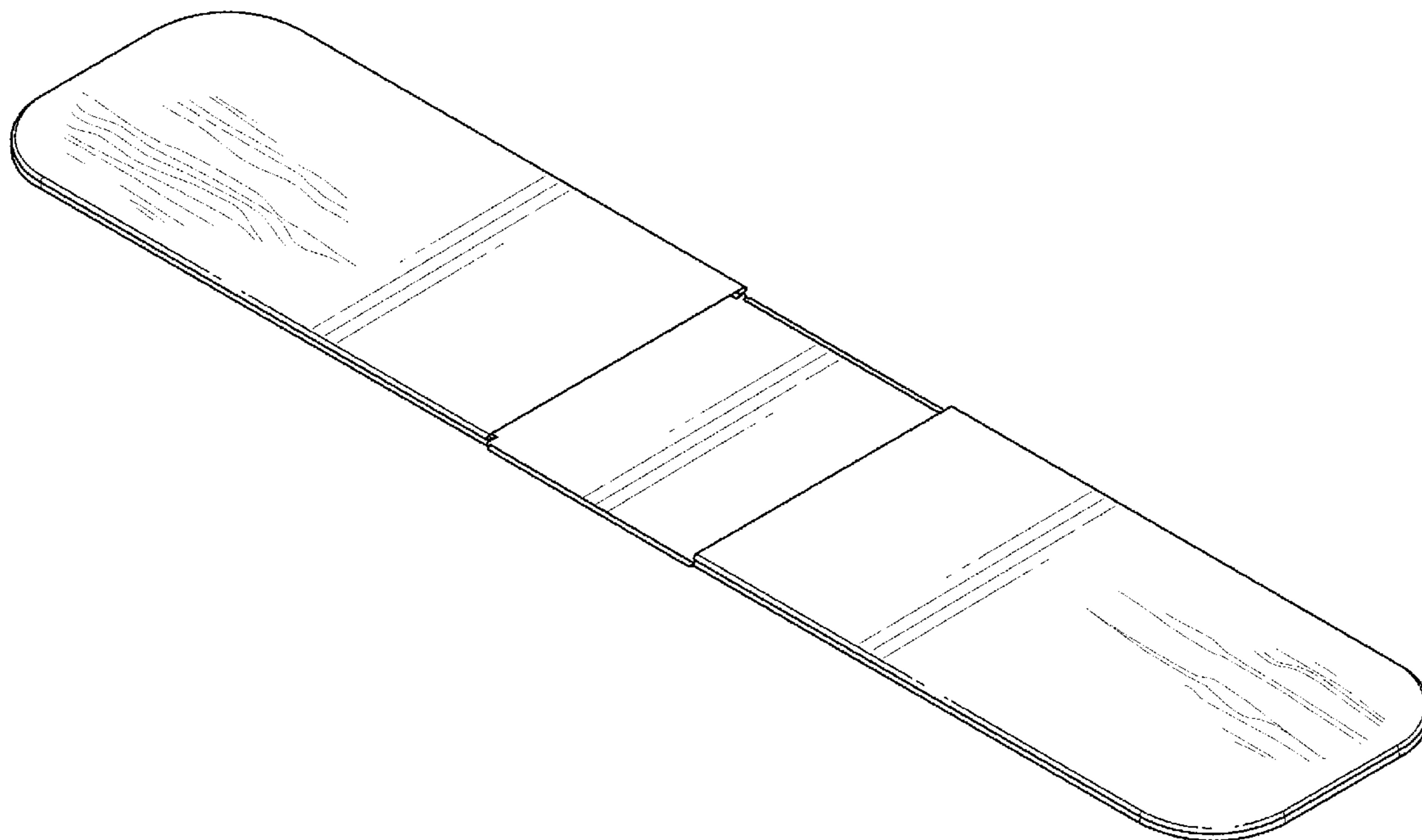
(57) **CLAIM**

The ornamental design for a flexible and expandable fabric shoe holder, as shown and described.

DESCRIPTION

FIG. 1 is a front isometric view of my new invention;
FIG. 2 is a back isometric view of the invention;
FIG. 3 is a top plan view of the invention;
FIG. 4 is a bottom plan view of the invention;
FIG. 5 is left side view of the invention, the right side view being a mirror image thereof; and,
FIG. 6 is a front side view of the invention, the rear side view being a mirror image thereof.
The wavy lines shown on the claimed design represent a type of flexible, loose fabric and do not represent surface ornamentation. The broken lines represent stitching and form part of the claimed design.

1 Claim, 5 Drawing Sheets



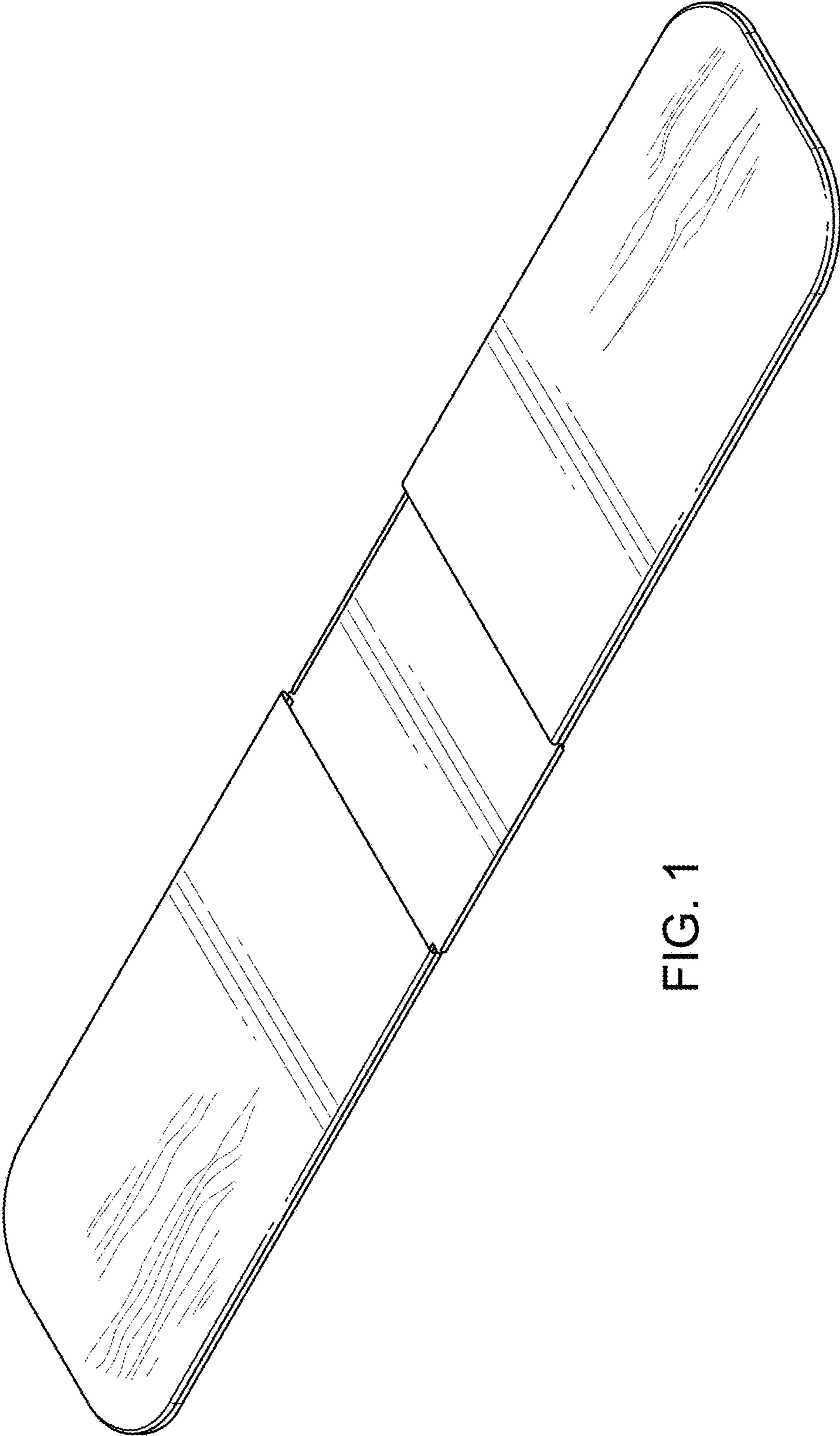


FIG. 1

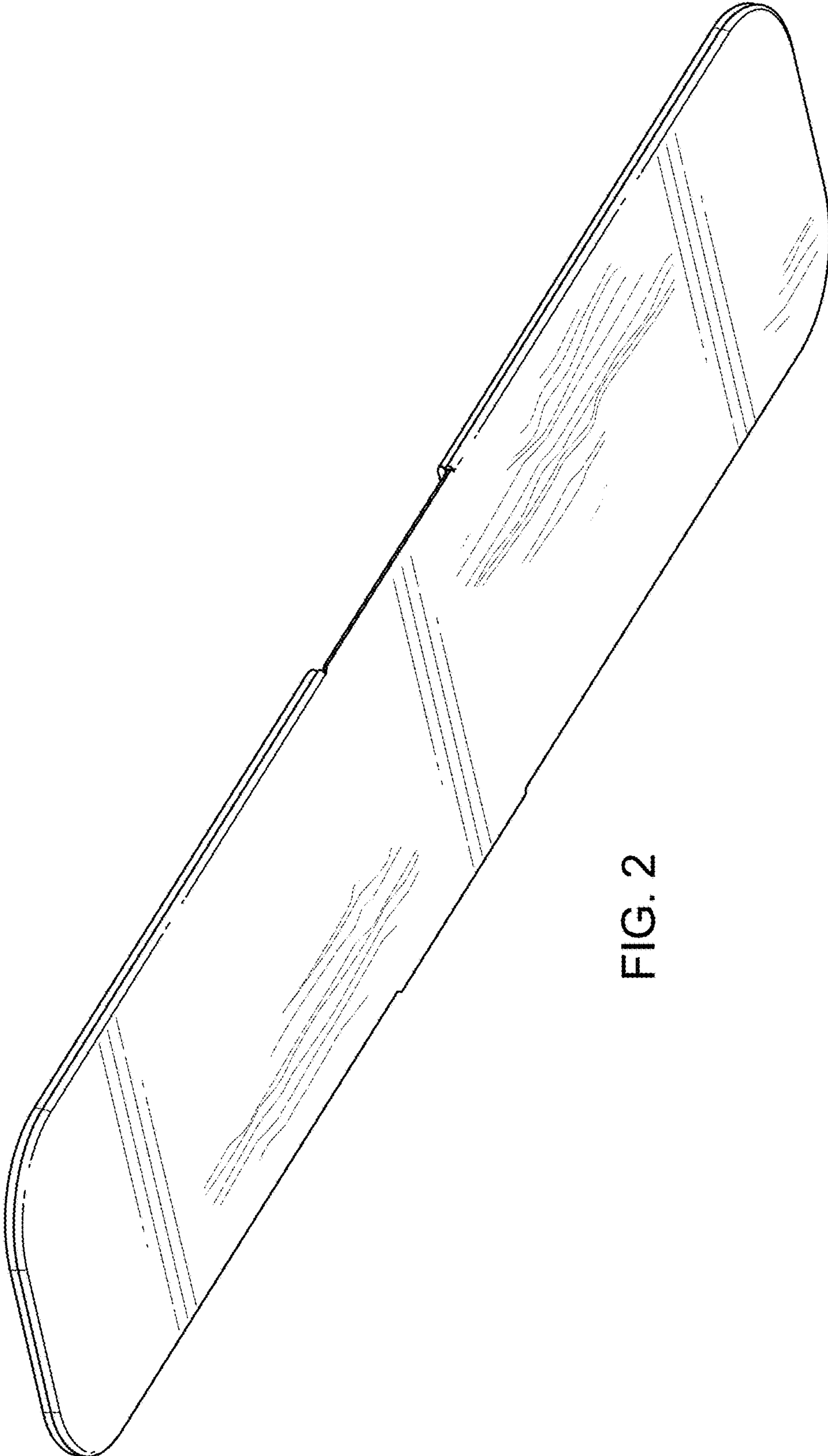


FIG. 2

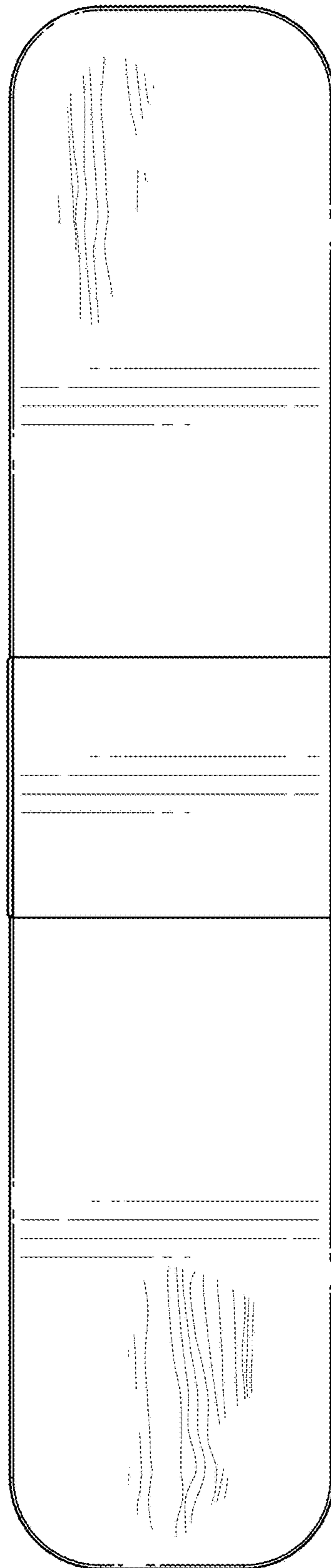


FIG. 3

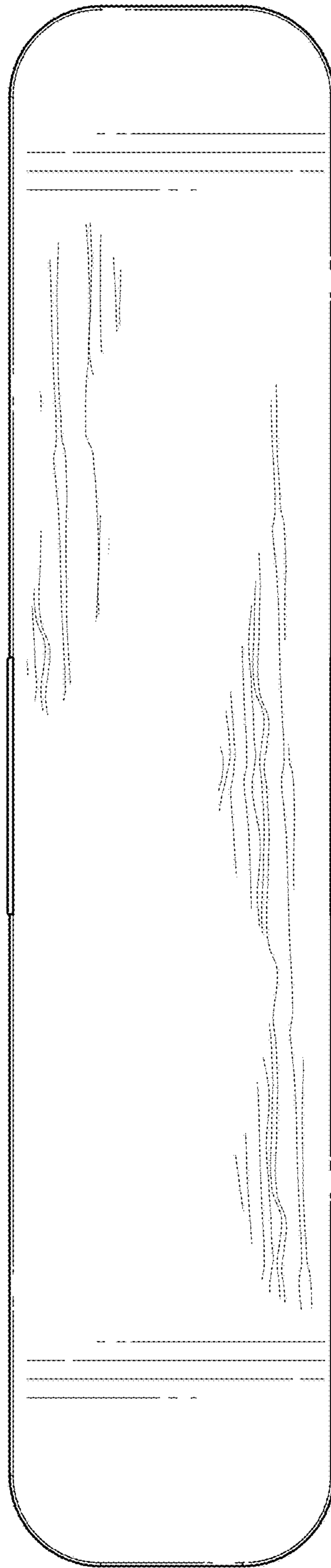


FIG. 4



FIG. 5

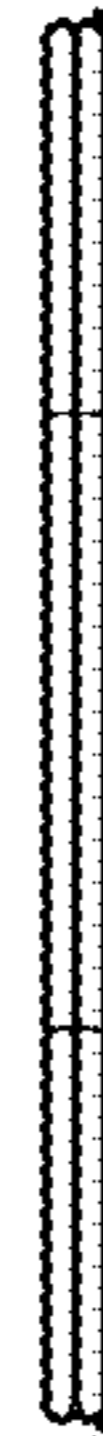


FIG. 6