

US00D846318S

(12) **United States Design Patent**
Tsukii

(10) **Patent No.:** **US D846,318 S**

(45) **Date of Patent:** **** Apr. 23, 2019**

(54) **SINGLE CART MODULAR TABLE**

(71) Applicant: **Toshikazu Tsukii**, Oro Valley, AZ (US)

(72) Inventor: **Toshikazu Tsukii**, Oro Valley, AZ (US)

(**) Term: **15 Years**

(21) Appl. No.: **29/662,864**

(22) Filed: **Sep. 10, 2018**

Related U.S. Application Data

(62) Division of application No. 29/630,054, filed on Dec. 19, 2017, now Pat. No. Des. 831,389.

(51) **LOC (11) Cl.** **06-04**

(52) **U.S. Cl.**
USPC **D6/664; D34/19**

(58) **Field of Classification Search**
USPC D6/642, 664, 699.1–699.4; D3/273–274;
D12/423–424; D34/14, 19, 21
CPC A47B 31/04–31/06; A47B
2031/003–2031/008; A47B 46/00–46/005
See application file for complete search history.

(56) **References Cited**

U.S. PATENT DOCUMENTS

D142,262 S *	8/1945	Paden	108/38
D167,733 S *	9/1952	Anderson	D6/642
D167,782 S *	9/1952	Weiss	D3/272
D178,285 S *	7/1956	Gaines	D6/664
D219,281 S *	11/1970	Geier	D6/642
D262,162 S *	12/1981	Lenger, Jr.	D6/664
D263,533 S *	3/1982	Ferdinand	D6/664
D275,250 S *	8/1984	Kirsner	D6/656
D289,471 S *	4/1987	Sottsass	D6/332
4,993,782 A *	2/1991	Williams	A47B 29/00 312/21
D357,781 S *	4/1995	Crinion	D34/17

D366,782 S *	2/1996	Bonazza	D6/644
D377,277 S *	1/1997	Jacobs	D6/642
D381,529 S *	7/1997	Ugalde	D6/642
5,941,352 A *	8/1999	Lee	A45C 5/14 190/11
D464,211 S *	10/2002	Chan	D6/652
D465,102 S *	11/2002	Seiffarth	D34/14
D557,927 S *	12/2007	Helm	D6/686
D579,231 S *	10/2008	Cheng	D6/642
D598,622 S *	8/2009	Wise	D34/19
D647,272 S *	10/2011	Boivin	D34/19
D661,043 S *	5/2012	Brands	D34/19
D679,467 S *	4/2013	Nicholson	D34/19
D679,468 S *	4/2013	Nicholson	D34/19
9,381,128 B2 *	7/2016	Rozewicz	A61G 13/105
10,045,829 B1 *	8/2018	Norman	A61G 15/14
D831,389 S *	10/2018	Tsukii	D6/664
D832,004 S *	10/2018	Tsukii	D6/664
D835,875 S *	12/2018	Sokol	D34/21

* cited by examiner

Primary Examiner — Vy N Koenig

(74) *Attorney, Agent, or Firm* — Eugene Vamos

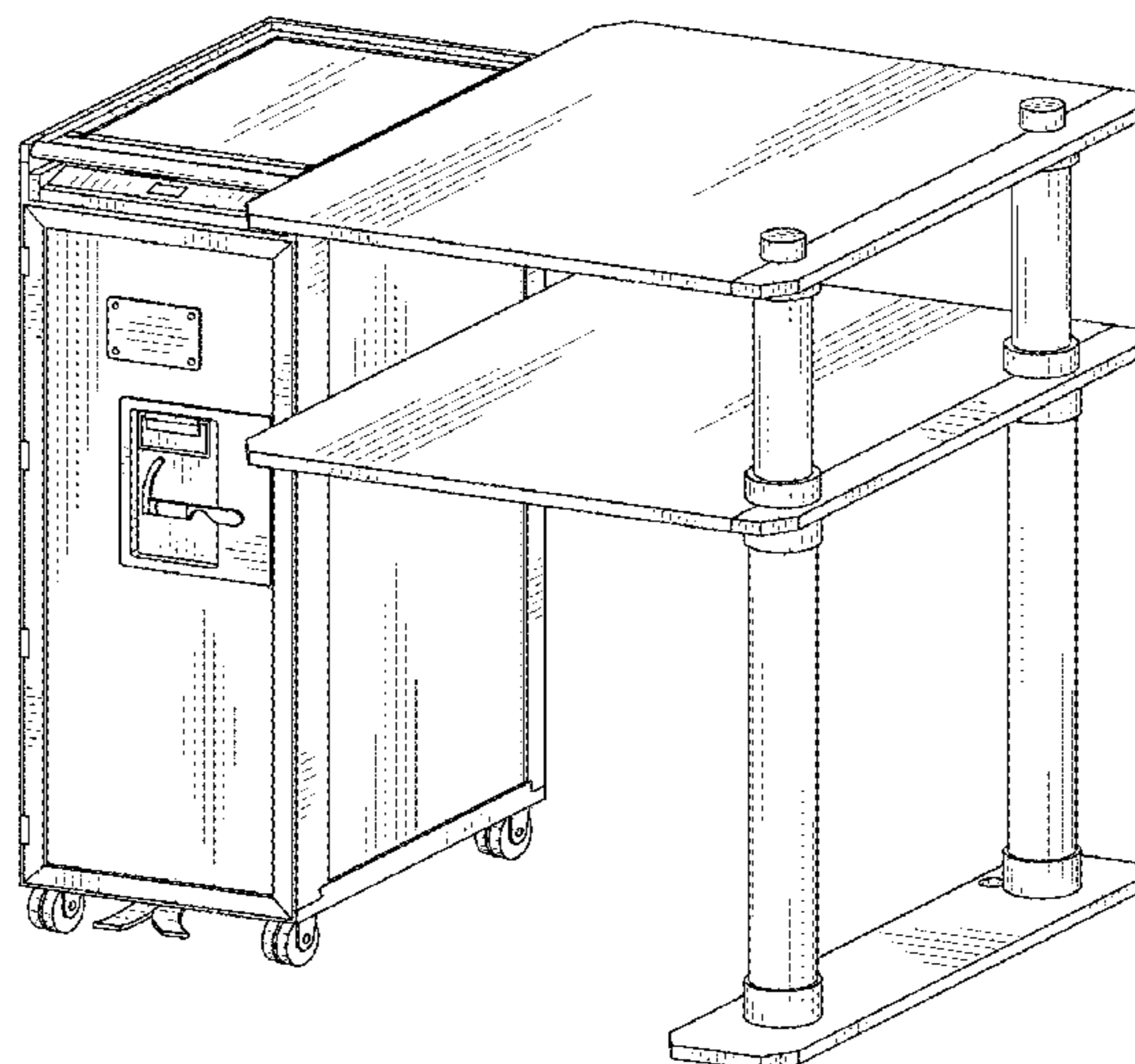
(57) **CLAIM**

The ornamental design for a single cart modular table, as shown and described.

DESCRIPTION

FIG. 1 is a perspective view of a single cart modular table, showing my new design;
FIG. 2 is a front elevation view thereof;
FIG. 3 is a back elevation view thereof;
FIG. 4 is a right side elevation view thereof;
FIG. 5 is a left side elevation view thereof;
FIG. 6 is a top plan view thereof; and,
FIG. 7 is a bottom plan view thereof.
The broken lines in the drawings depict environmental structure and form no part of the claimed design.

1 Claim, 6 Drawing Sheets



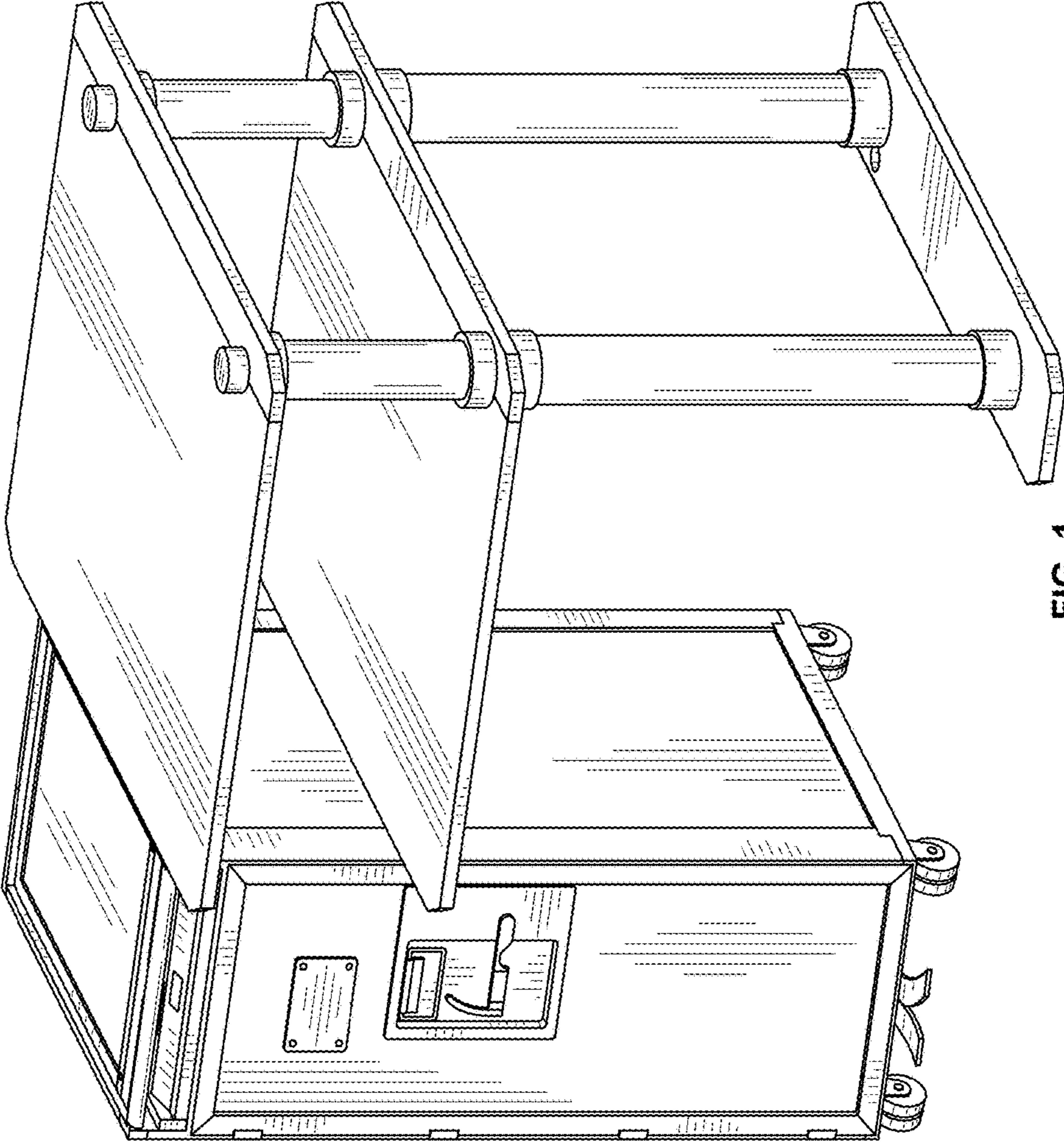


FIG. 1

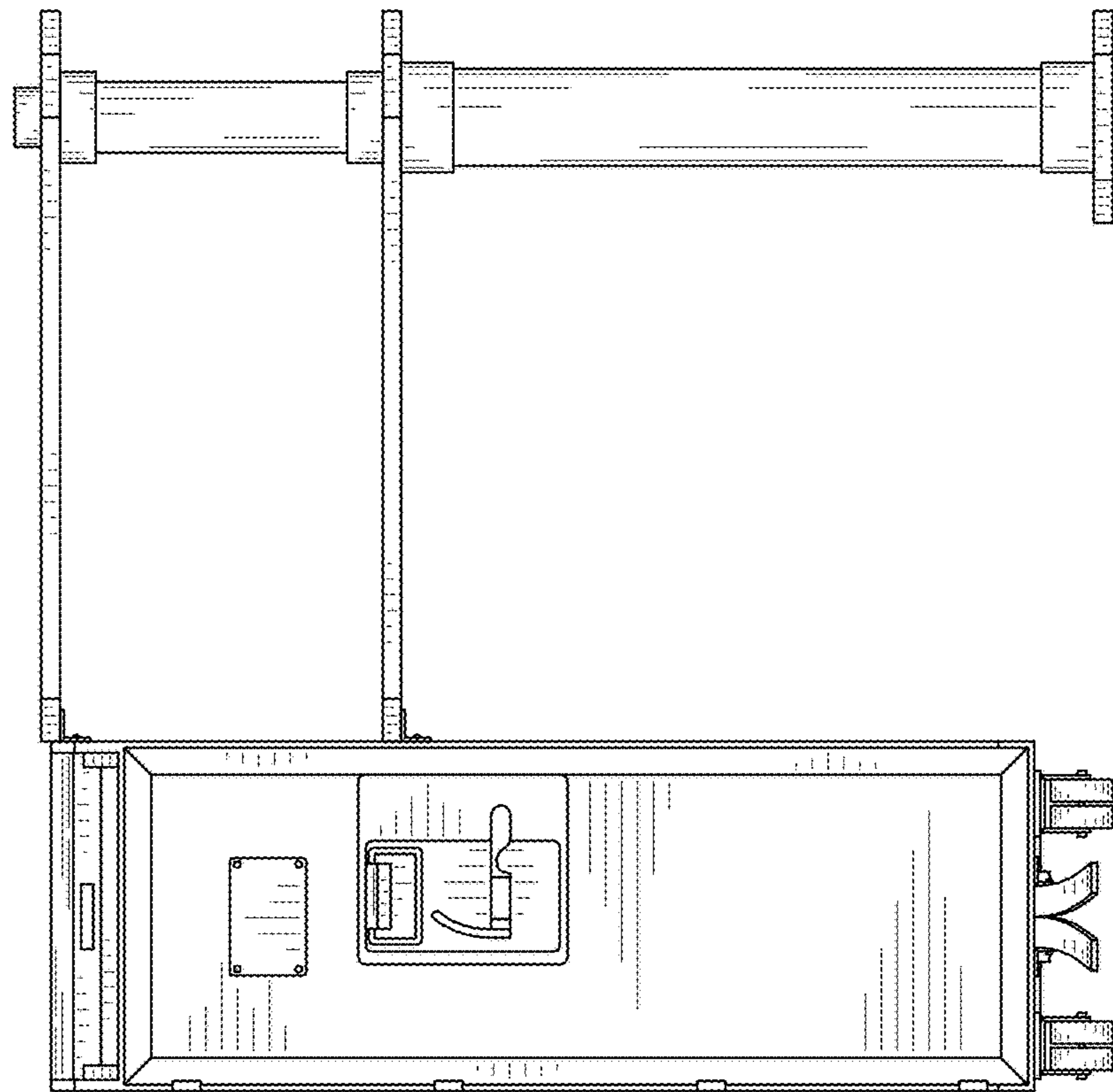


FIG. 2

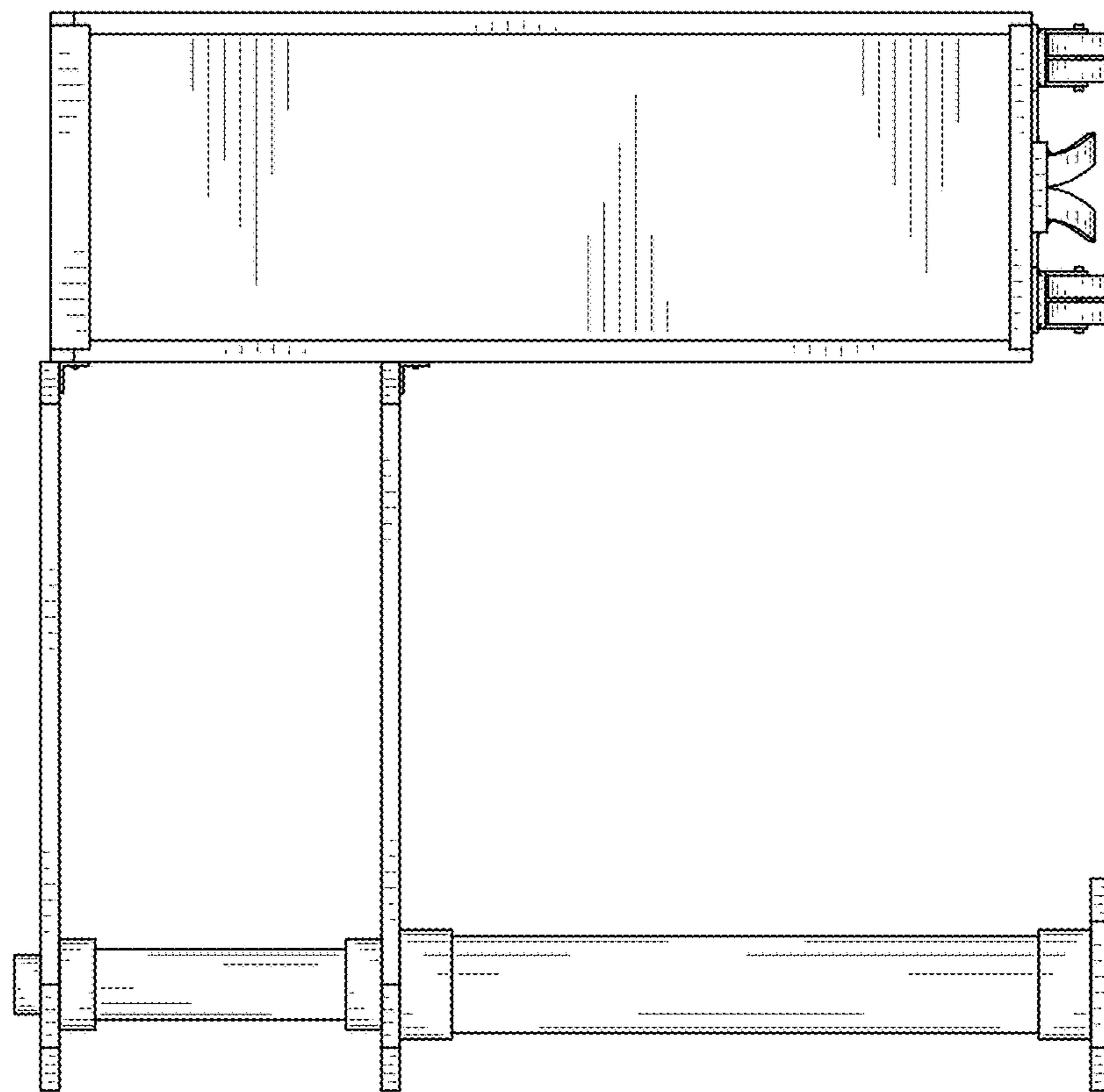


FIG. 3

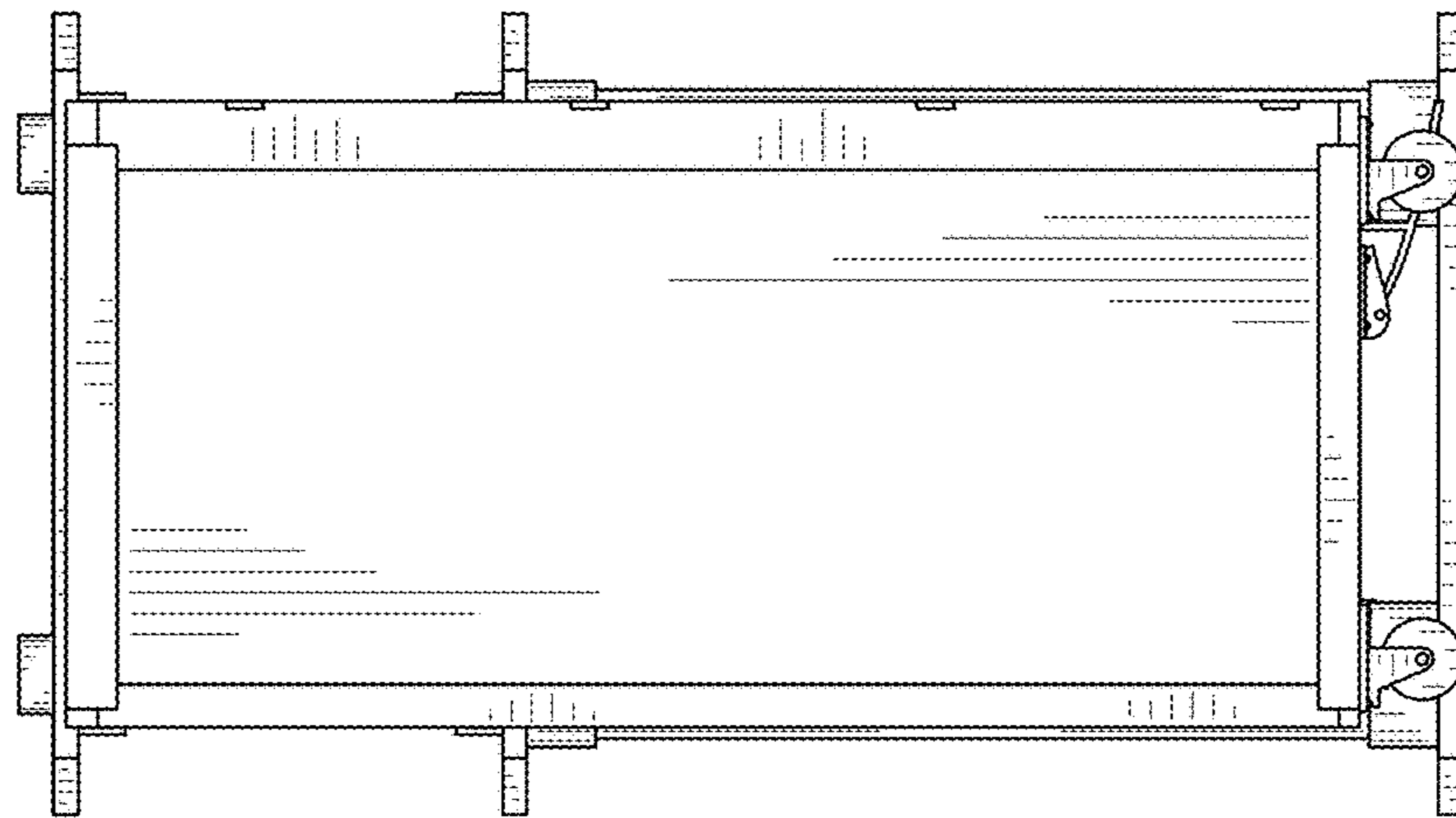


FIG. 5

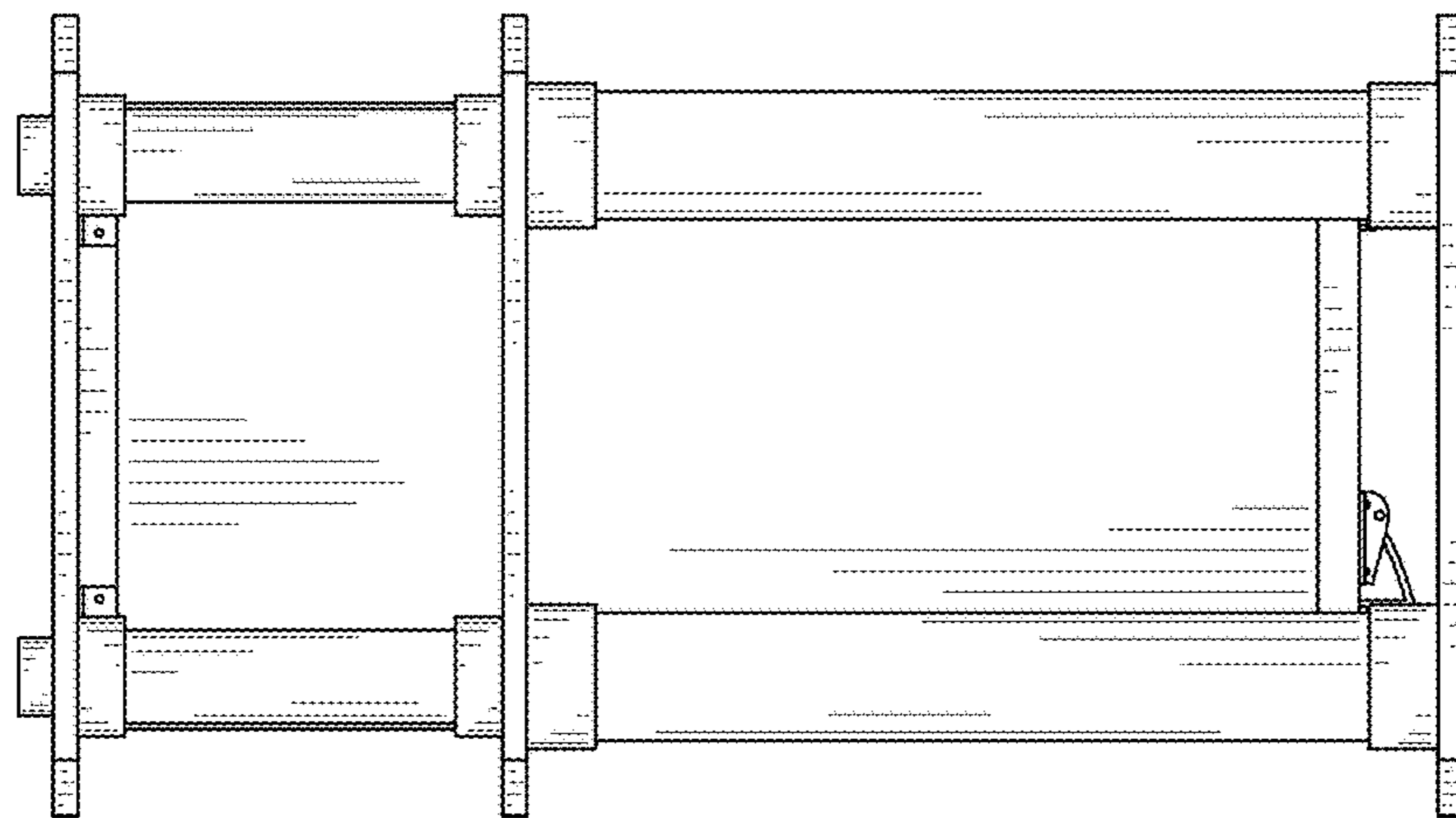


FIG. 4

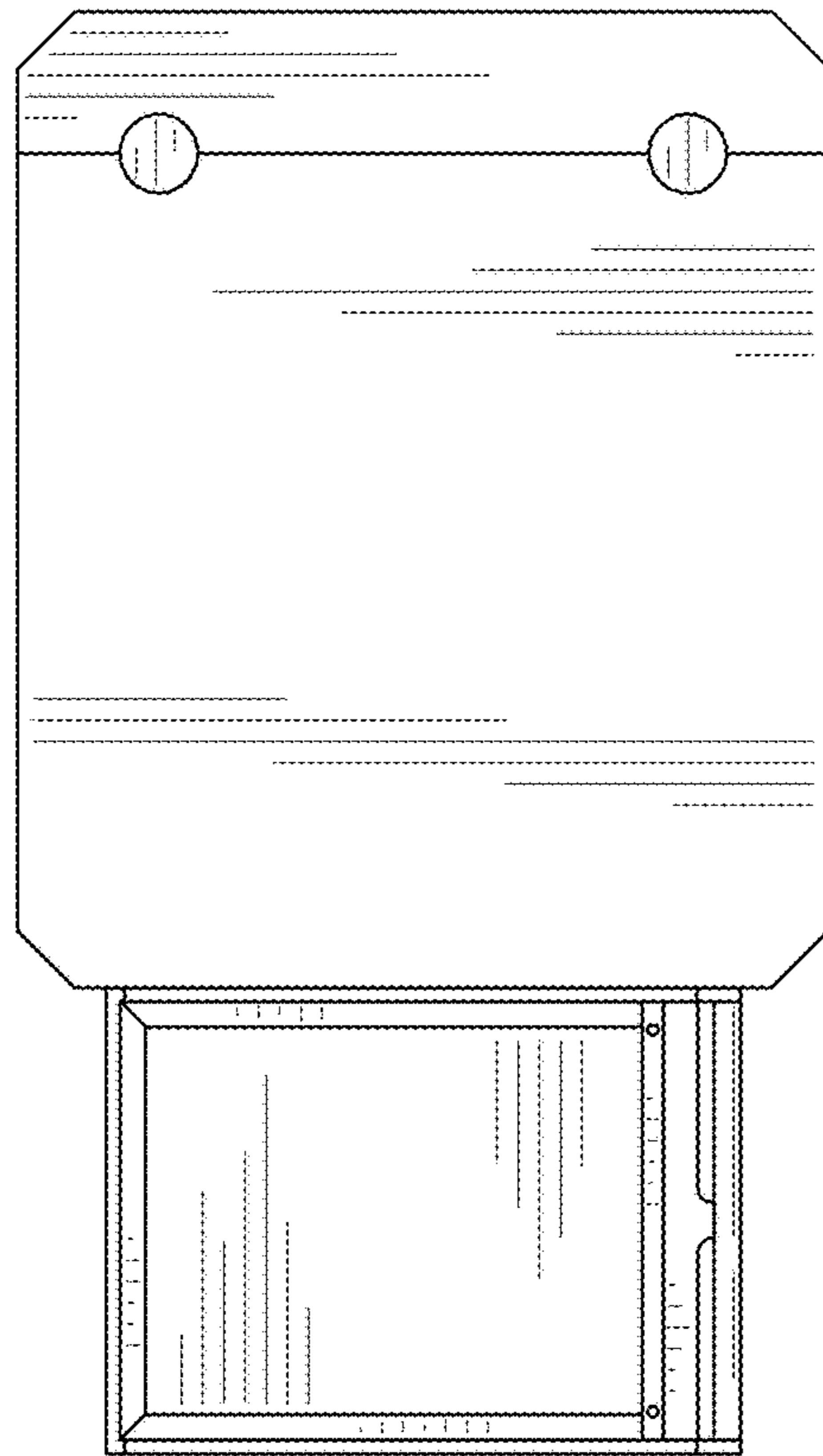


FIG. 6

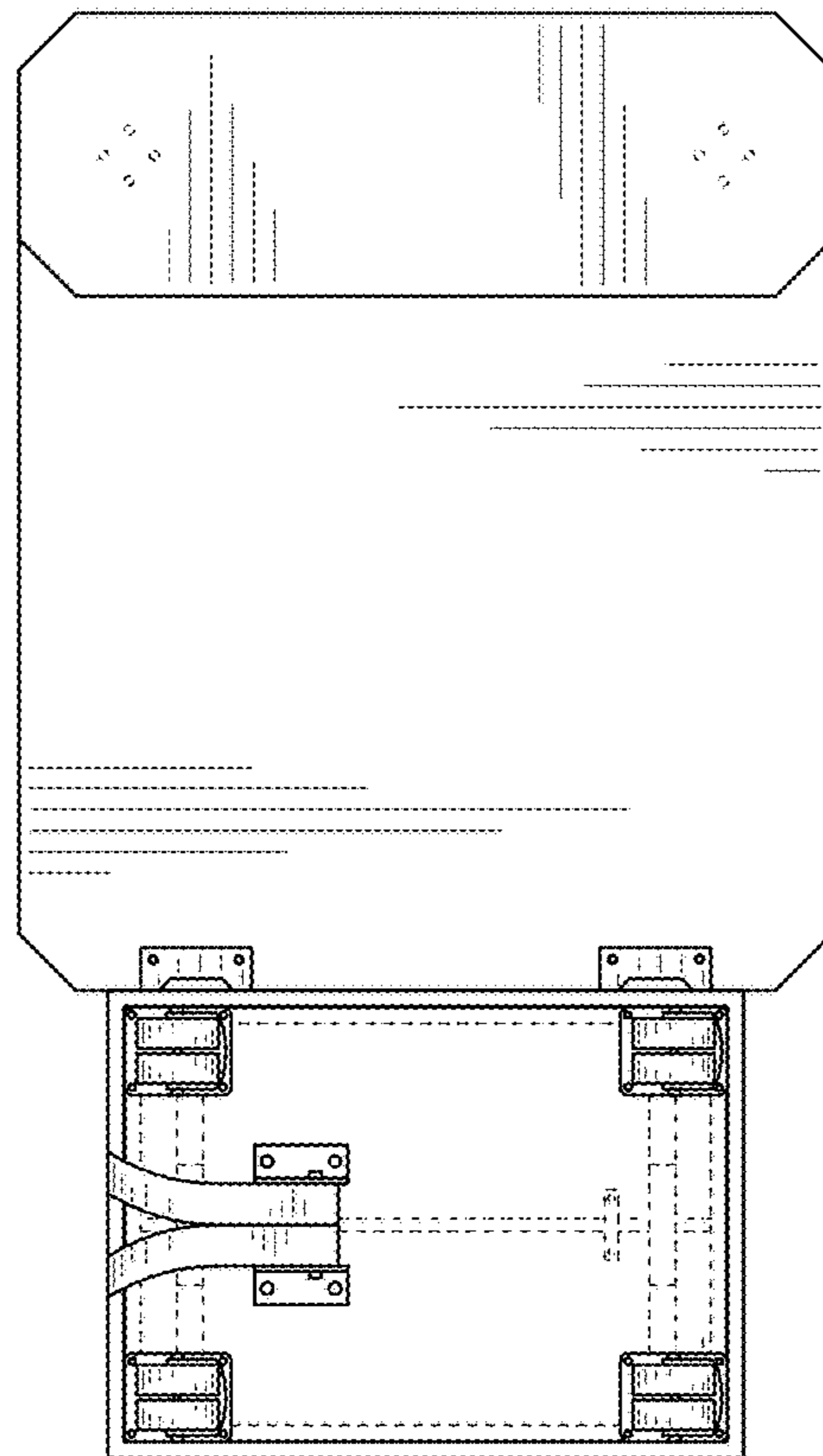


FIG. 7