



US00D846315S

(12) **United States Design Patent**
Lin

(10) **Patent No.:** **US D846,315 S**
(45) **Date of Patent:** **** Apr. 23, 2019**

- (54) **DESK**
- (71) Applicant: **Cheng-Tsung Lin**, Changhua (TW)
- (72) Inventor: **Cheng-Tsung Lin**, Changhua (TW)
- (73) Assignee: **Pyramid Computer Accessories Co. Ltd.**, Changhua (TW)
- (**) Term: **15 Years**
- (21) Appl. No.: **29/567,404**
- (22) Filed: **Jun. 8, 2016**
- (51) **LOC (11) Cl.** **06-06**
- (52) **U.S. Cl.**
USPC **D6/656.19; D6/707**
- (58) **Field of Classification Search**
USPC D6/406.3, 406.5, 406.6, 641, 642, 656, D6/656.1, 656.13, 656.16, 656.18, 685, D6/686, 691, 691.4-691.6, 691.8, 707, D6/659.19
CPC .. A47B 3/00; A47B 3/08; A47B 3/083; A47B 7/00; A47B 13/00; A47B 13/003; A47B 13/02; A47B 13/021; A47B 13/08; A47B 2013/006; A47B 21/00; A47B 23/00; A47B 23/04; A47B 2023/049; A47B 2200/0007; A47B 2200/0011; A47B 2200/0035; A47B 2200/0066
See application file for complete search history.

- 6,170,405 B1 * 1/2001 Weitzman A47B 3/083 108/174
- D450,959 S * 11/2001 Birsel A47B 23/00 D6/707.19
- 8,186,282 B1 * 5/2012 Sinchok A47B 13/021 108/12
- D780,491 S * 3/2017 Magargee A47B 23/00 D6/349
- D812,946 S * 3/2018 Chang A63H 33/006 D6/707.19
- 2010/0186638 A1 * 7/2010 Roy A47B 3/08 108/25
- 2011/0185951 A1 * 8/2011 Aguayo A47B 23/00 108/43
- 2012/0227637 A1 * 9/2012 Meadows A47B 23/00 108/28
- 2016/0325197 A1 * 11/2016 Smith A63H 33/006

* cited by examiner

Primary Examiner — Mary Ann Calabrese
(74) *Attorney, Agent, or Firm* — Che-Yang Chen; Law Offices of Scott Warmuth

(57) **CLAIM**

The ornamental design for a desk, as shown and described.

DESCRIPTION

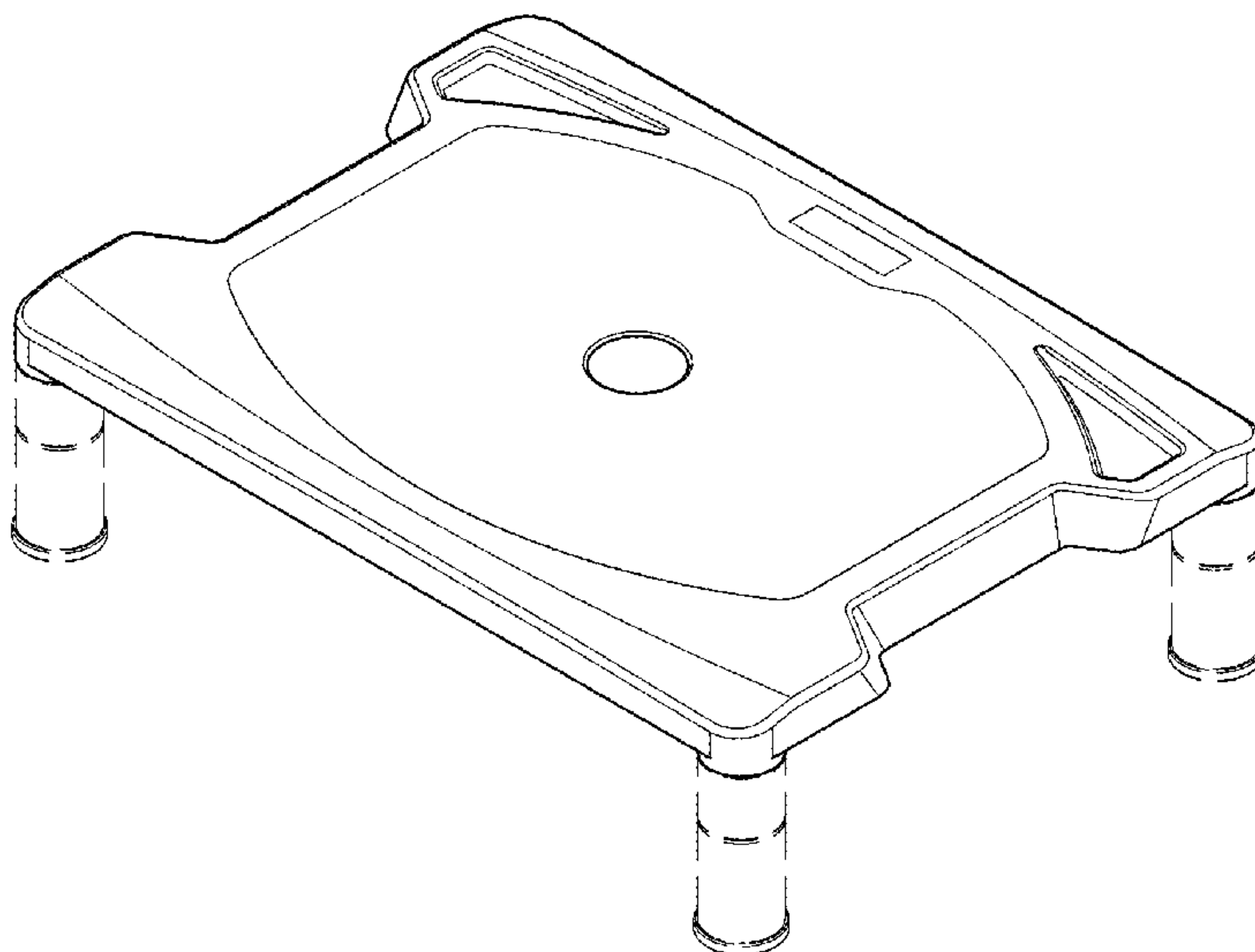
FIG. 1 is a perspective view of a desk showing my new design;
FIG. 2 is a front elevational view thereof;
FIG. 3 is a rear elevational view thereof;
FIG. 4 is a left side elevational view thereof;
FIG. 5 is a right side elevational view thereof;
FIG. 6 is a top plan view thereof; and,
FIG. 7 is a bottom plan view thereof.
In the drawings, the broken lines show portions of the desk that form no part of the claimed design.

1 Claim, 4 Drawing Sheets

(56) **References Cited**

U.S. PATENT DOCUMENTS

- 3,181,483 A * 5/1965 Devitt A47B 23/00 108/159
- D315,073 S * 3/1991 Goetz D6/691
- D359,406 S * 6/1995 Crawford D6/349



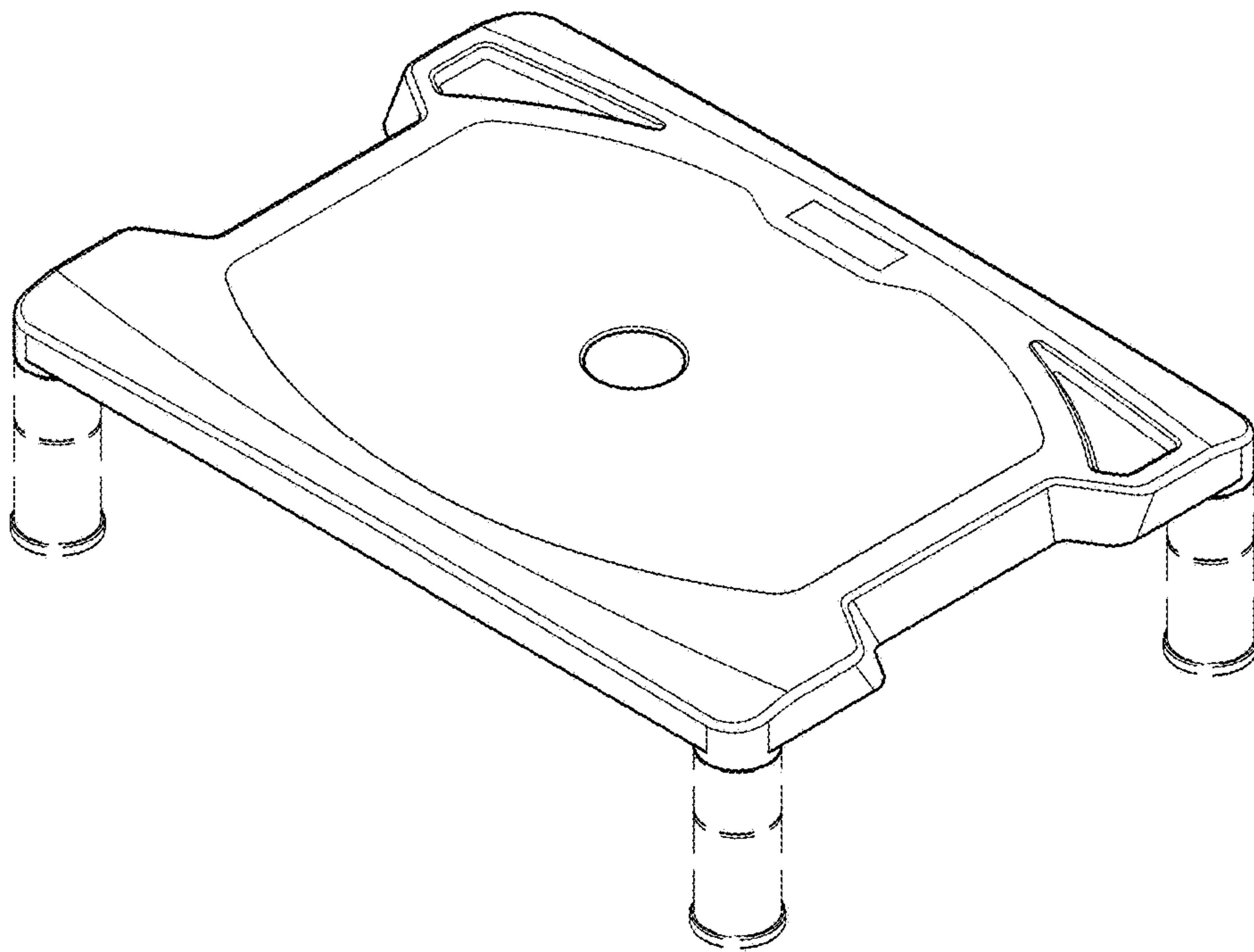


FIG. 1

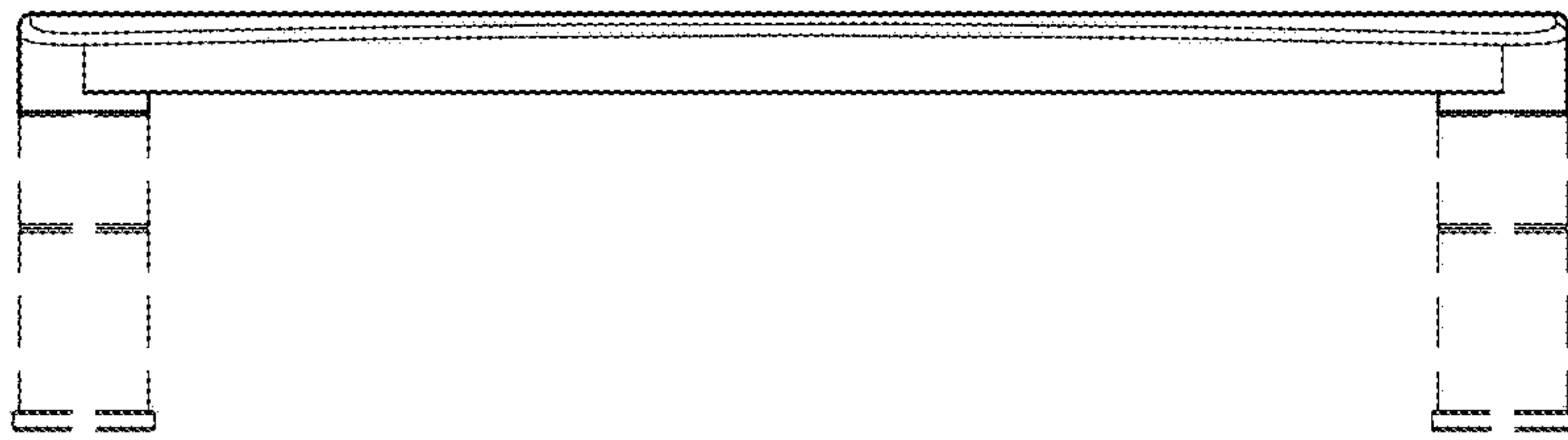


FIG. 2

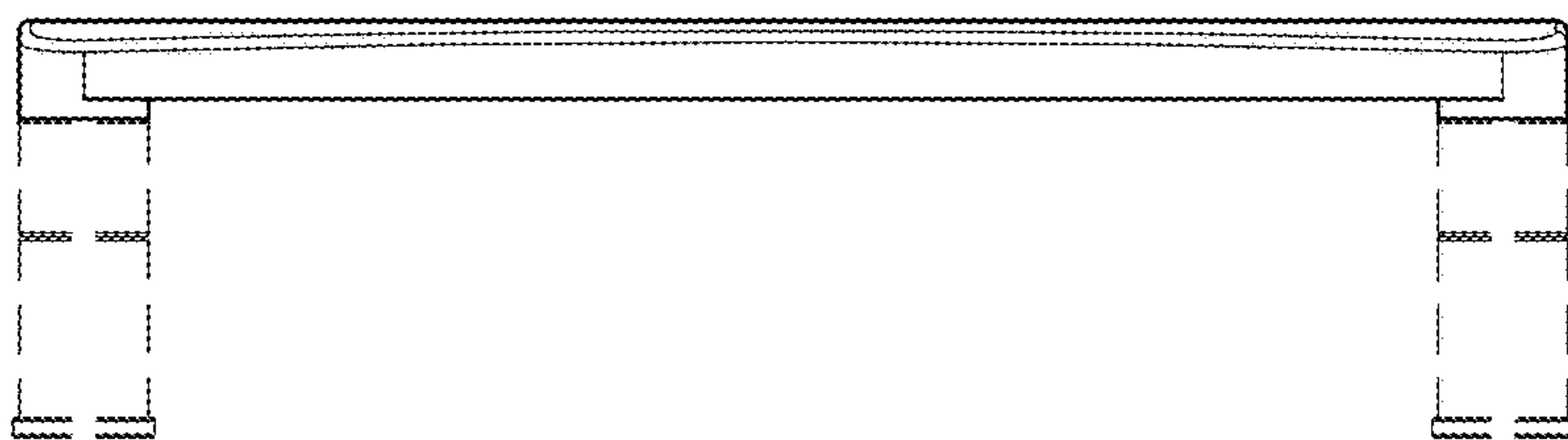


FIG. 3

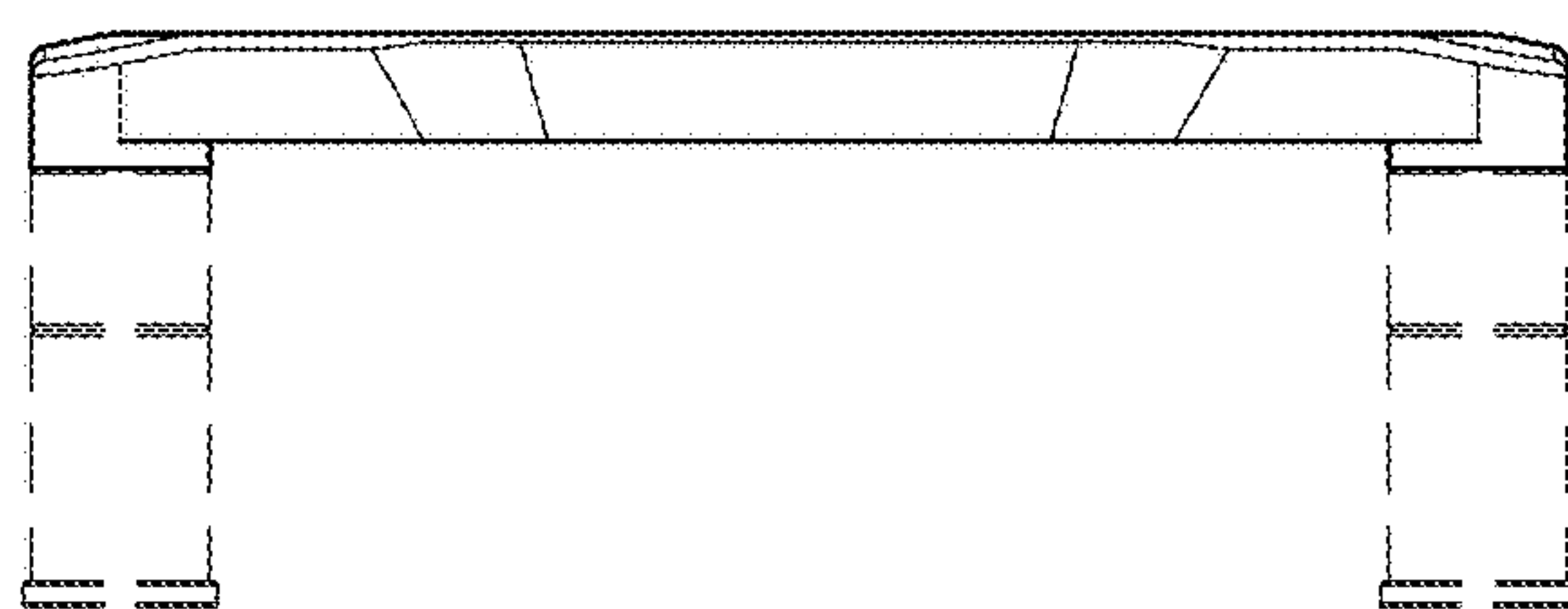


FIG. 4

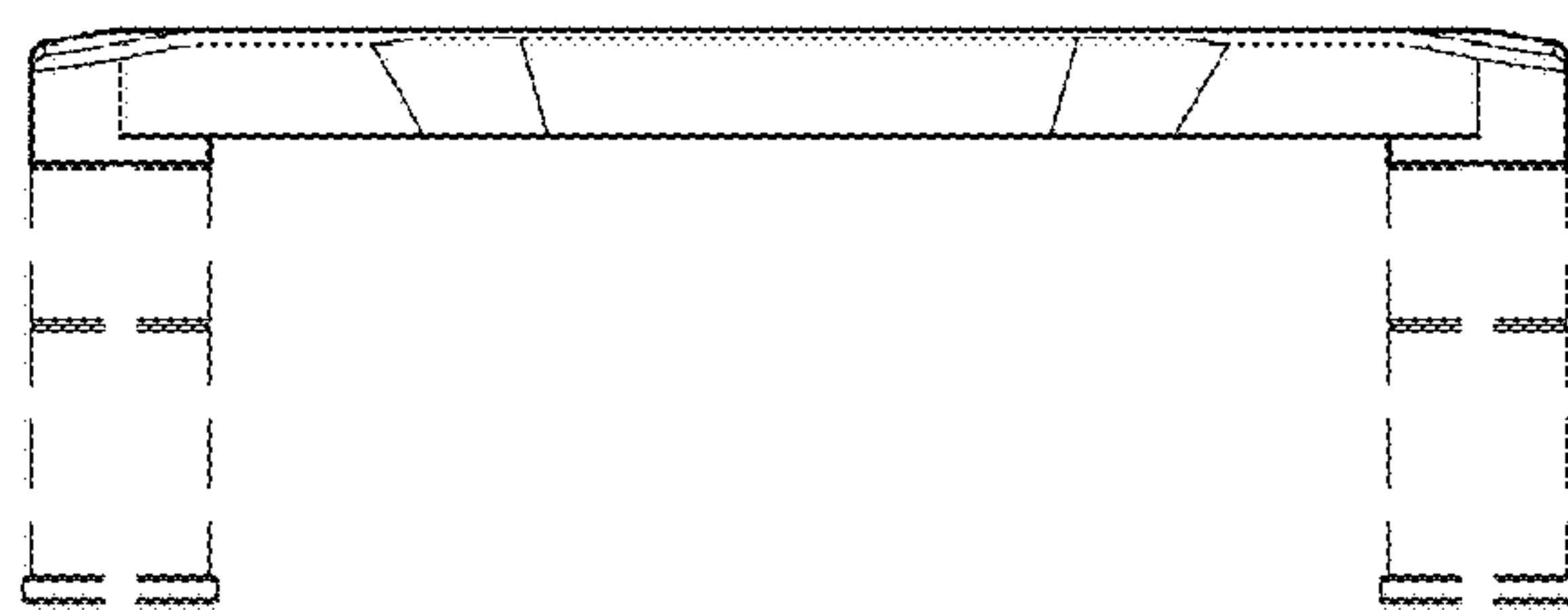


FIG. 5

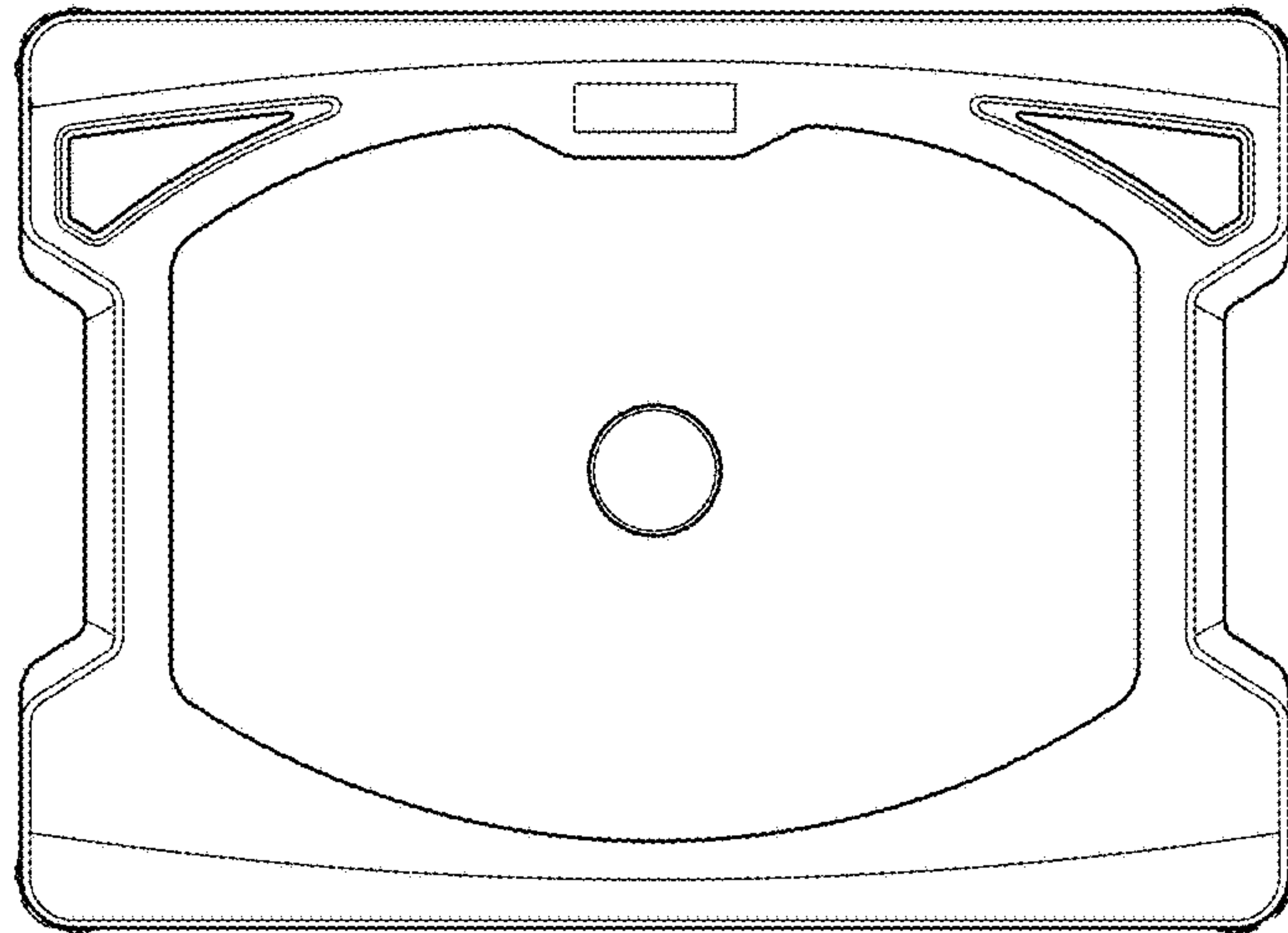


FIG. 6

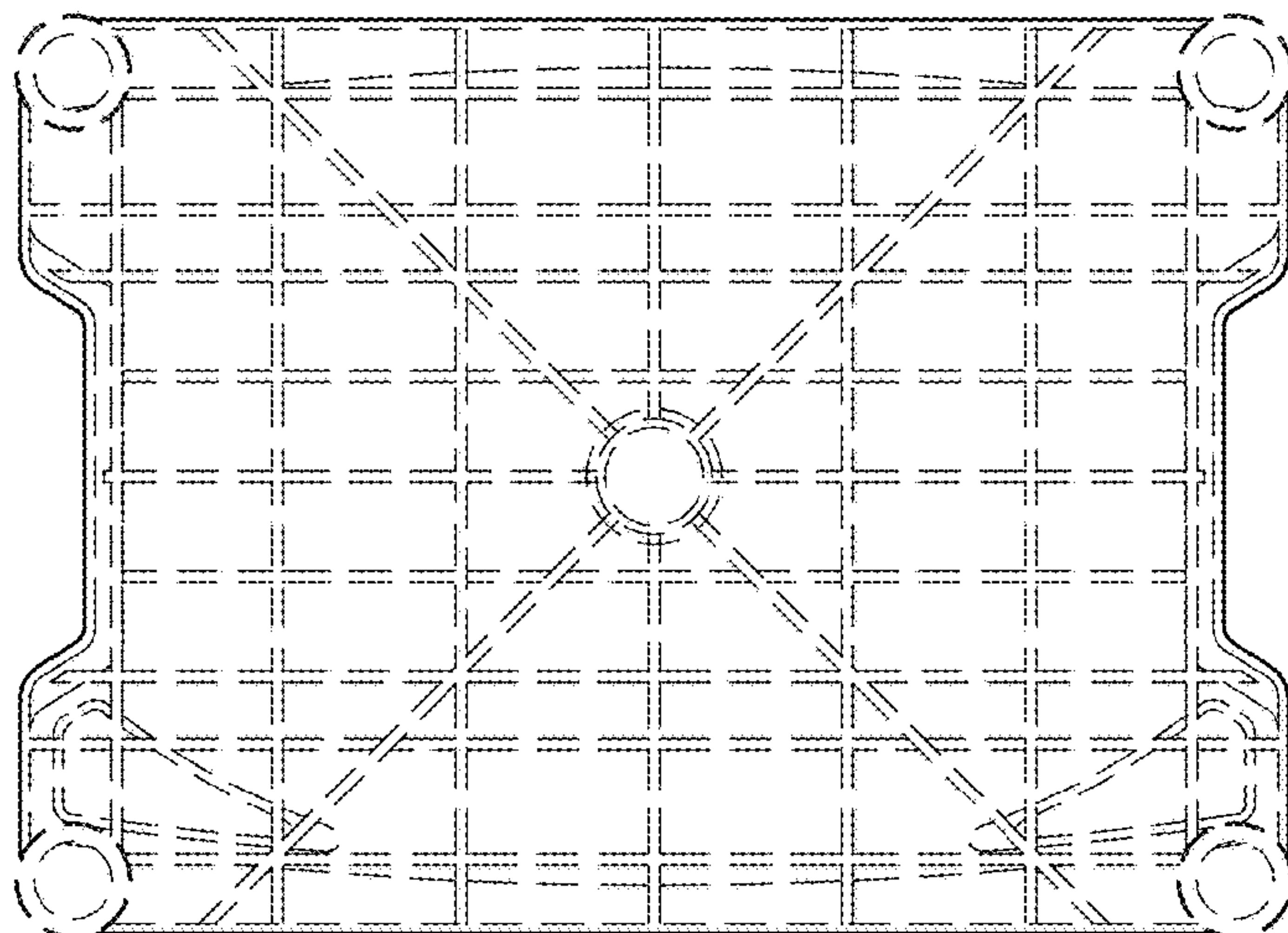


FIG. 7