

US00D846314S

(12) **United States Design Patent**  
**Dardashti et al.**

(10) **Patent No.:** **US D846,314 S**

(45) **Date of Patent:** **\*\* Apr. 23, 2019**

- (54) **GAMING DESK**
- (71) Applicant: **ATLANTIC, INC.**, Santa Fe Springs, CA (US)
- (72) Inventors: **Shahriar L. Dardashti**, Santa Fe Springs, CA (US); **Wayne Calco**, Santa Fe Springs, CA (US)
- (73) Assignee: **ATLANTIC, INC.**, Santa Fe Springs, CA (US)
- (\*\*) Term: **15 Years**
- (21) Appl. No.: **29/574,083**
- (22) Filed: **Aug. 11, 2016**
- (51) **LOC (11) Cl.** ..... **06-03**
- (52) **U.S. Cl.**  
USPC ..... **D6/653.11**
- (58) **Field of Classification Search**  
USPC ..... D6/337, 642, 663, 671, 677, 686, 687, D6/690, 691, 691.1, 691.2, 691.3, 691.4, D6/691.5, 693, 689, 691.9, 695, 695.2; D21/397  
CPC ..... A47B 7/00; A47B 13/08; A47B 13/10; A47B 21/00; A47B 2009/006; A47B 11/00; A47B 2200/002  
See application file for complete search history.

- D442,395 S \* 5/2001 McClintock ..... D6/650
- D468,776 S \* 1/2003 Oliver ..... D21/397
- D473,068 S \* 4/2003 Holbrook ..... D6/655.18
- D491,233 S \* 6/2004 Winter ..... A47B 13/08  
D21/397
- D502,028 S \* 2/2005 Ashby ..... D6/691.3
- D523,663 S \* 6/2006 Risdall ..... D6/650
- D578,324 S \* 10/2008 Glass ..... D6/708
- D590,644 S \* 4/2009 Derocher ..... D6/707.22
- D604,963 S \* 12/2009 Potter ..... D6/686
- D637,659 S \* 5/2011 Barnwell ..... D21/397
- D683,980 S \* 6/2013 Johnson ..... D6/406.3
- D691,223 S \* 10/2013 Hao ..... D21/694
- D691,667 S \* 10/2013 Lambert ..... D21/354
- D695,845 S \* 12/2013 Philips ..... D21/397
- D730,668 S \* 6/2015 Fletcher ..... D6/341
- D780,493 S \* 3/2017 Sherman ..... D6/690

\* cited by examiner

*Primary Examiner* — Mary Ann Calabrese

*Assistant Examiner* — Sloan Rozin

(74) *Attorney, Agent, or Firm* — Lynette Wylie; Apex Juris, PLLC.

(57) **CLAIM**

The ornamental design for a gaming desk, as shown and described.

**DESCRIPTION**

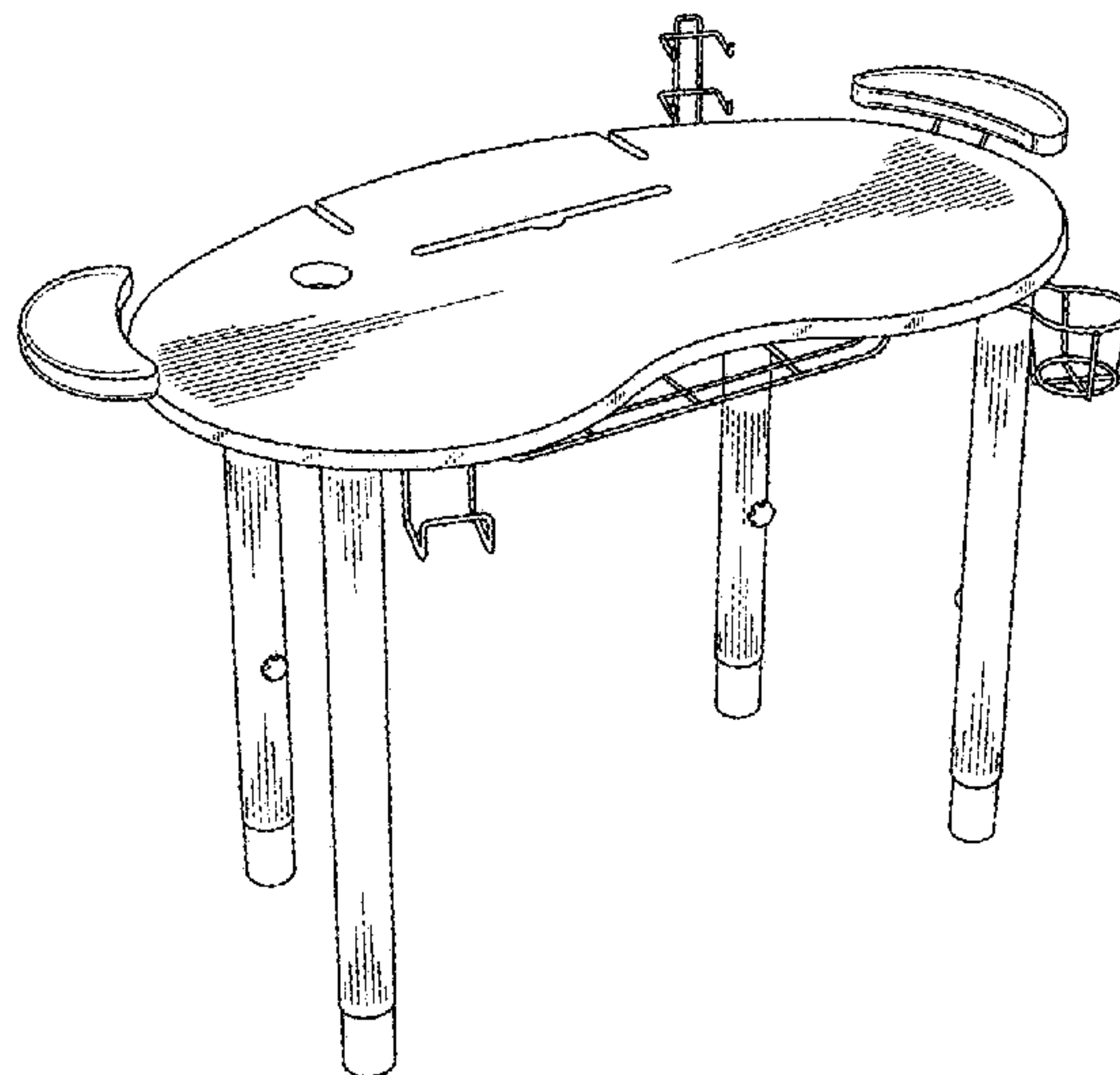
FIG. 1 is a perspective view of the gaming desk.  
 FIG. 2 is a front view of the gaming desk.  
 FIG. 3 is a rear view of the gaming desk.  
 FIG. 4 is one side view of the gaming desk.  
 FIG. 5 is an opposite side view of the gaming desk.  
 FIG. 6 is a top view of the gaming desk; and,  
 FIG. 7 is a bottom view of the gaming desk.  
 The broken line showing of elements on the gaming desk illustrate portions of the article and form no part of the claimed design.

**1 Claim, 7 Drawing Sheets**

(56) **References Cited**

**U.S. PATENT DOCUMENTS**

- D225,116 S \* 11/1972 Krajieski ..... D6/300
- D275,353 S \* 9/1984 Dunbar ..... D6/656.1
- D291,751 S \* 9/1987 Salvato ..... D6/687
- D368,189 S \* 3/1996 Bro ..... D21/522
- D383,924 S \* 9/1997 Dormon ..... D6/656.13
- D399,680 S \* 10/1998 Mak ..... D21/397
- D435,366 S \* 12/2000 McClintock ..... D6/656.13
- D440,798 S \* 4/2001 Kuhlman ..... D6/707.22



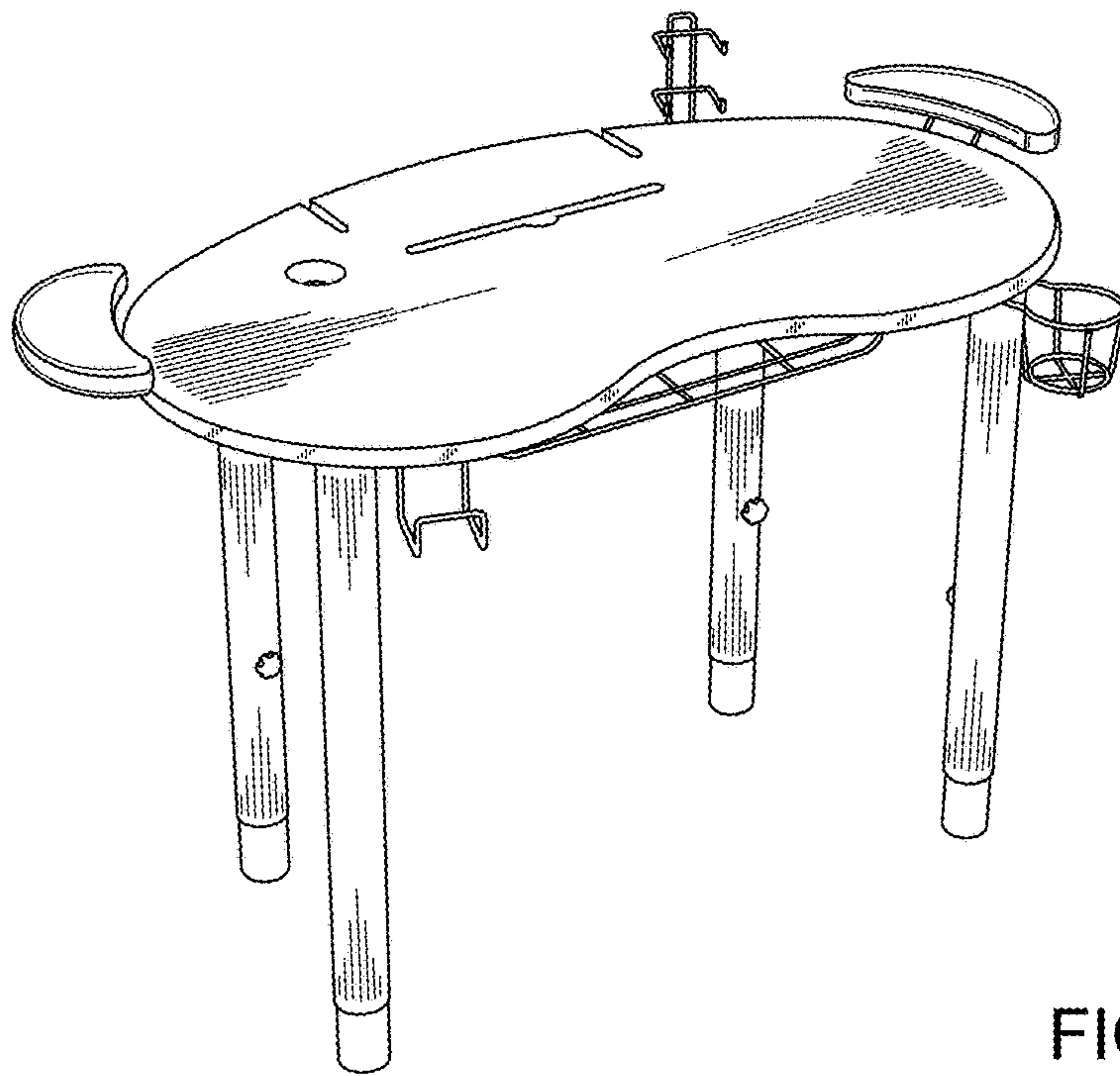


FIG. 1

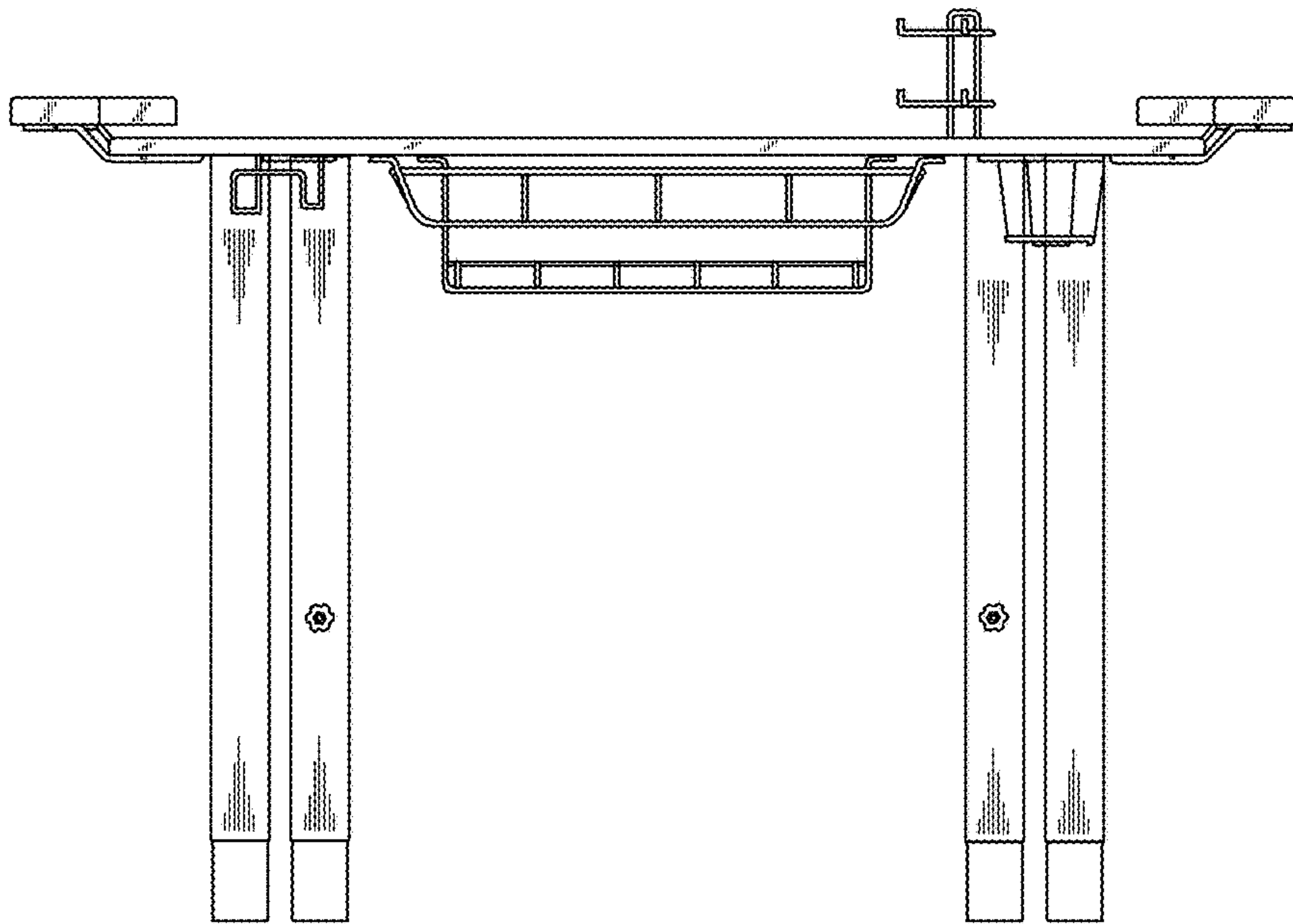


FIG. 2

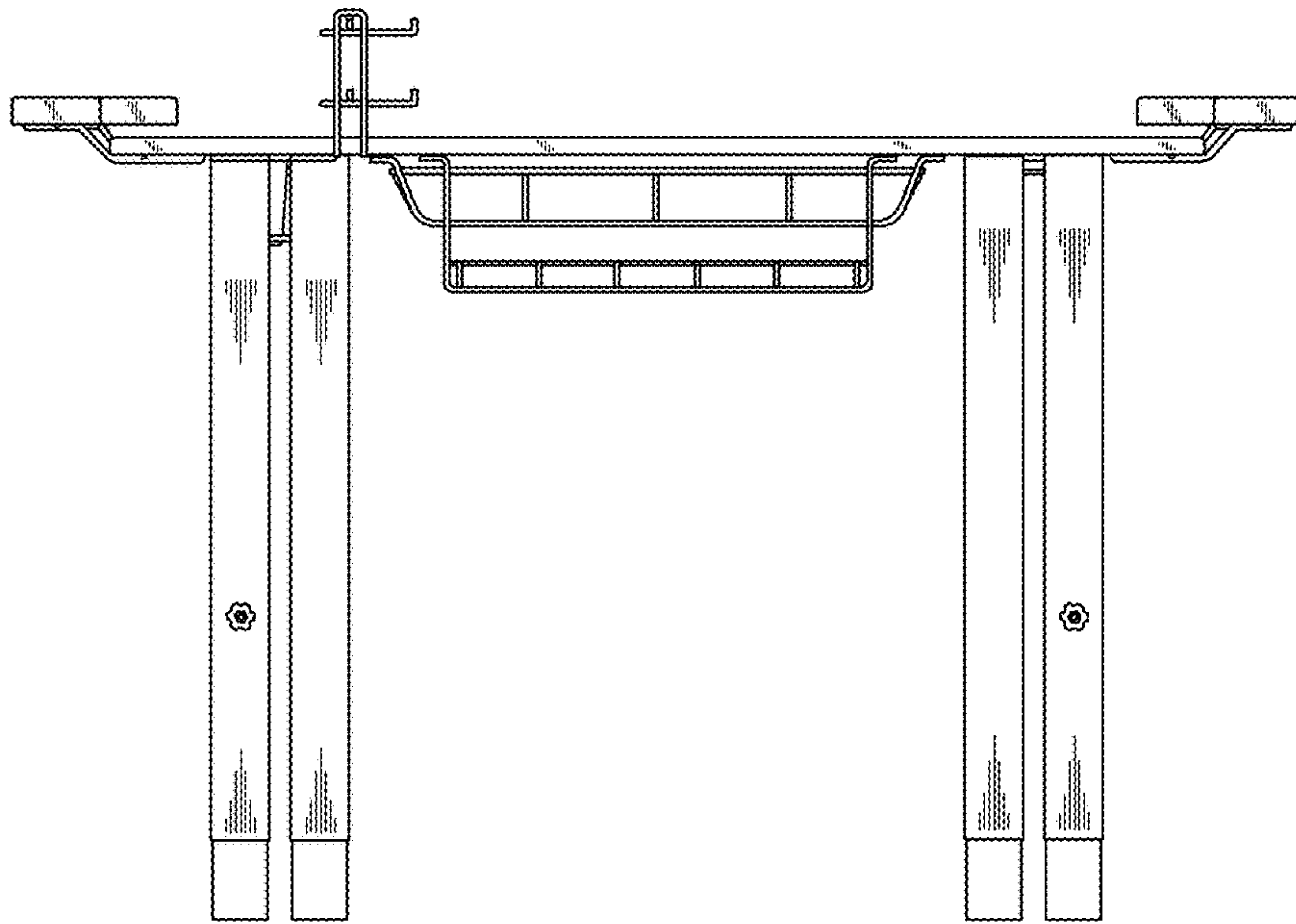


FIG. 3

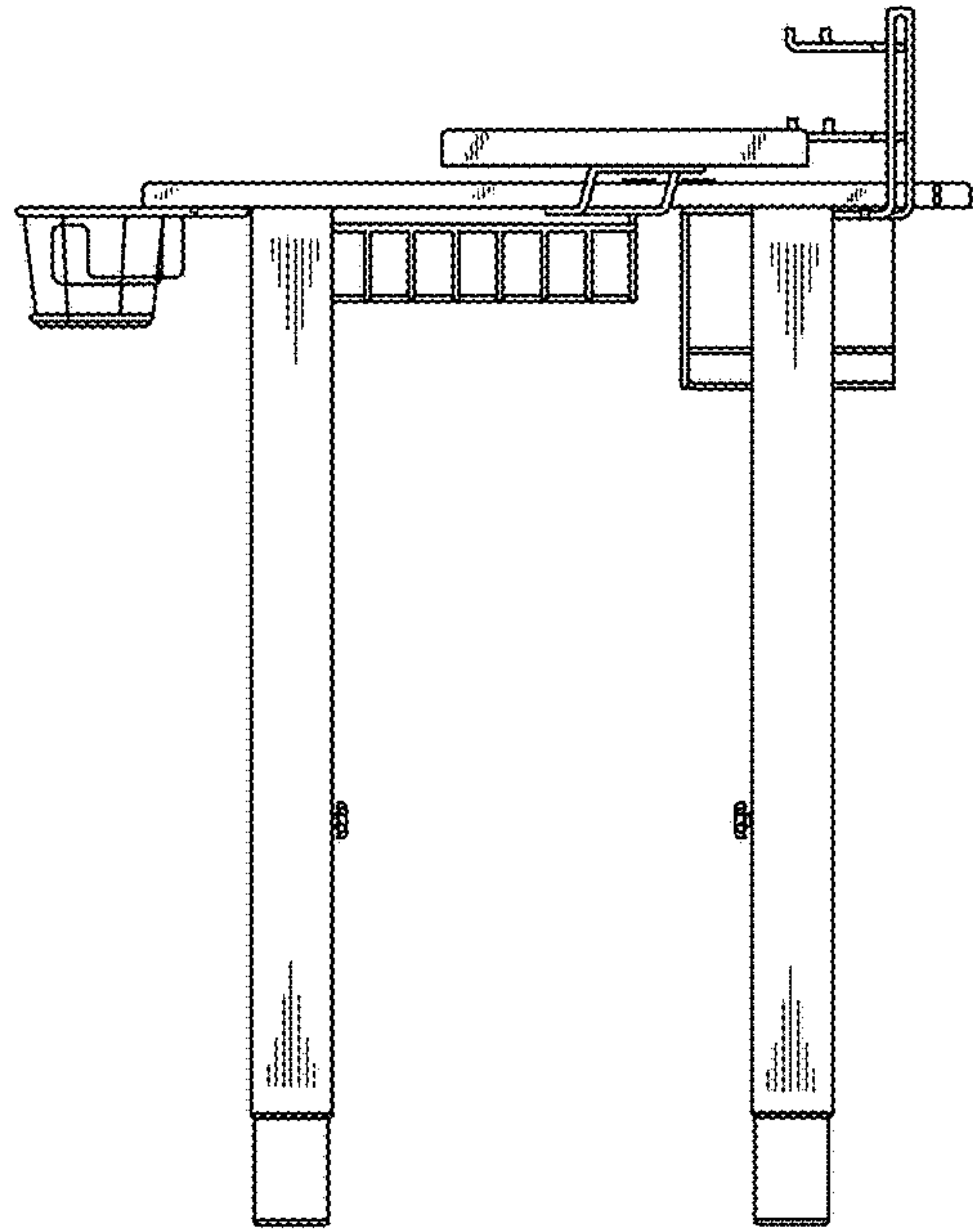


FIG. 4

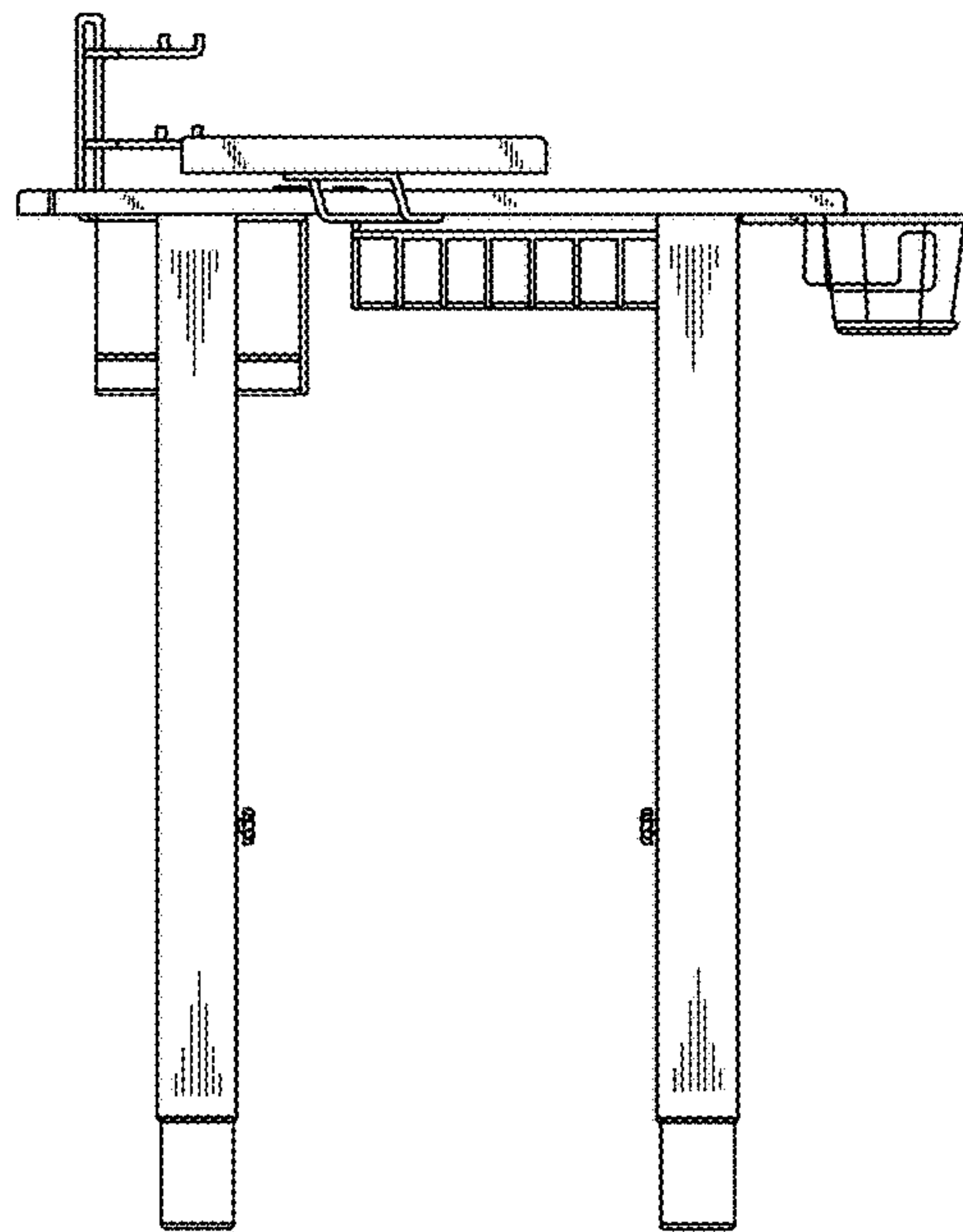


FIG. 5

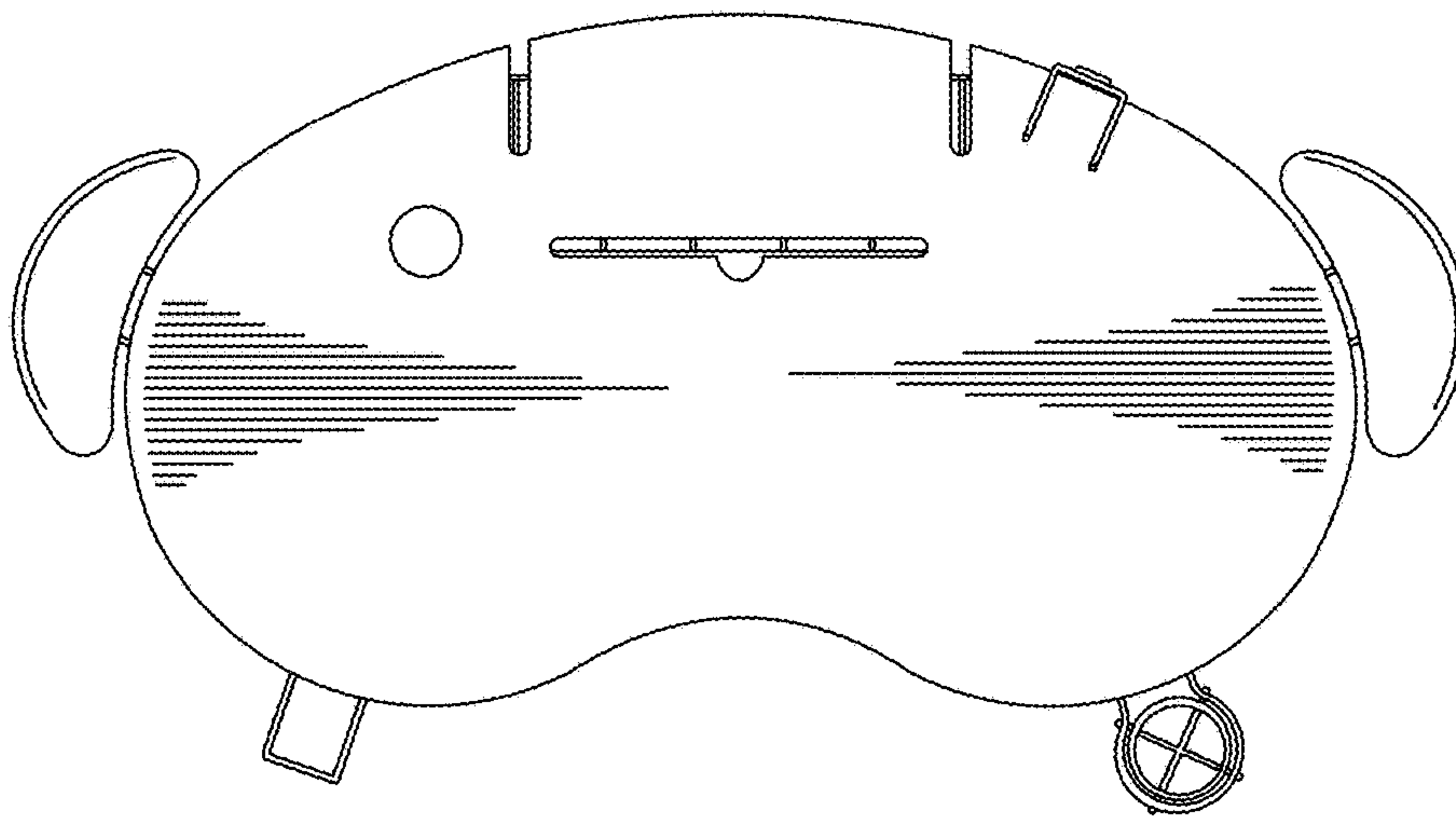


FIG. 6



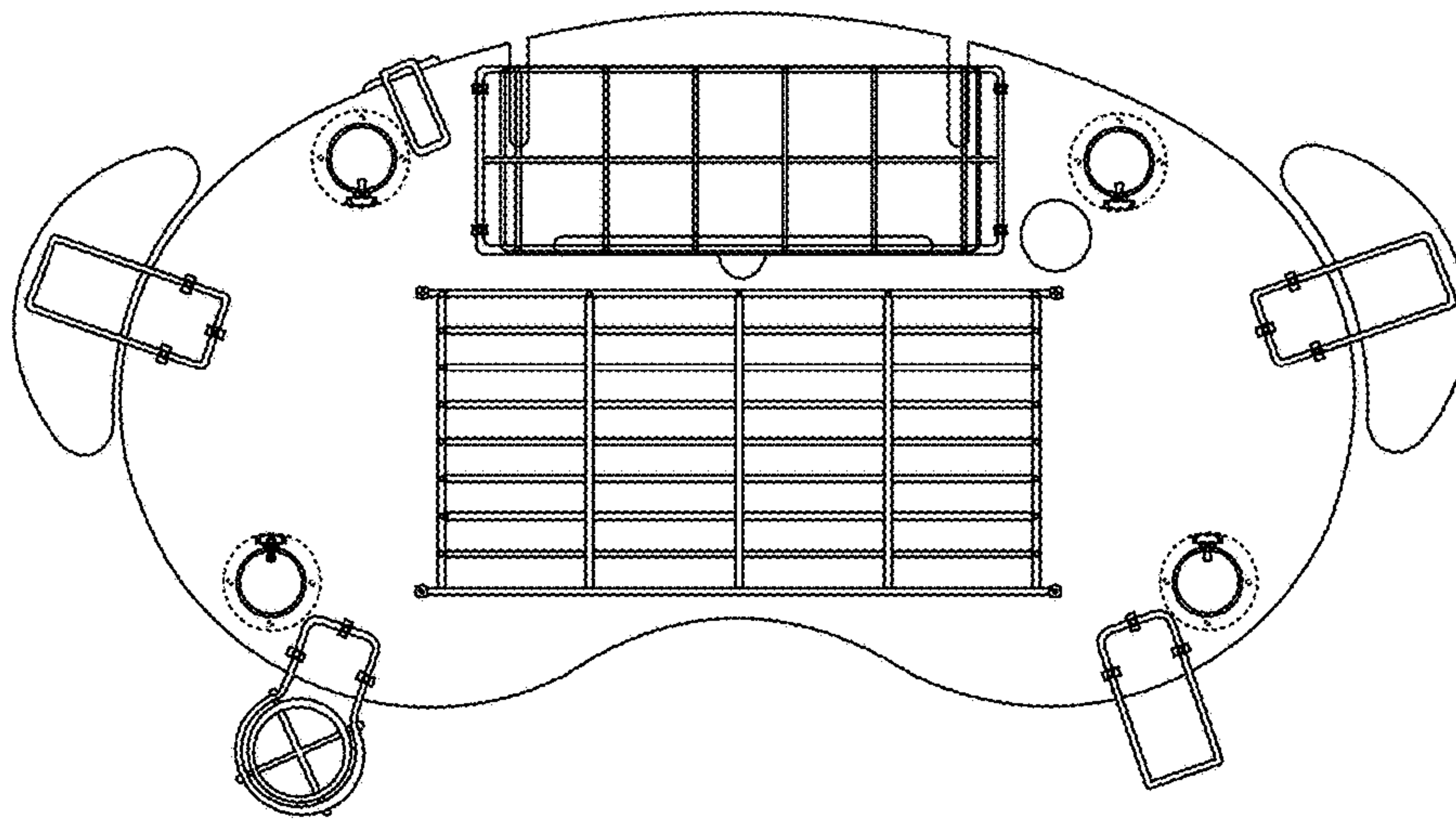


FIG. 7