



US00D846313S

(12) **United States Design Patent**
Carral O' Gorman

(10) **Patent No.:** **US D846,313 S**
(45) **Date of Patent:** **** Apr. 23, 2019**

(54) **TABLE SUPPORT**

(71) Applicant: **Steelcase Inc.**, Grand Rapids, MI (US)

(72) Inventor: **Santiago Carral O' Gorman**, Grand Rapids, MI (US)

(73) Assignee: **Steelcase Inc.**, Grand Rapids, MI (US)

(**) Term: **15 Years**

(21) Appl. No.: **29/614,530**

(22) Filed: **Aug. 21, 2017**

(51) **LOC (11) Cl.** **06-03**

(52) **U.S. Cl.**
USPC **D6/652**

(58) **Field of Classification Search**

USPC D6/652, 654, 655.1, 655.11, 655.14,
D6/655.18, 656, 656.12, 656.13, 656.15,
D6/656.16, 656.17, 656.19, 675, 686,
D6/687, 688, 691, 698, 707.19, 708.21
CPC .. A47B 3/00; A47B 3/08; A47B 3/083; A47B
3/087; A47B 21/00; A47B 21/02; A47B
21/03; A47B 21/06; A47B 21/0073; A47B
21/0076; A47B 21/0314

See application file for complete search history.

(56) **References Cited**

U.S. PATENT DOCUMENTS

1,949,405 A	3/1934	Theodore	
D113,383 S *	2/1939	Haag	312/194
2,351,610 A *	6/1944	Hamberg	A47B 17/033
			312/194
D154,440 S *	7/1949	Taubert	D6/652
D164,584 S *	9/1951	Koegel	D6/652
2,587,469 A *	2/1952	Herring	A47B 21/02
			108/116
D193,060 S *	6/1962	Rowse	D6/652
3,133,510 A	5/1964	Maraventano	

D223,372 S *	4/1972	Allen	D6/652
D231,966 S	7/1974	Landau	
4,310,207 A	1/1982	Adams, Jr.	
D289,471 S	4/1987	Sottsass et al.	
4,873,841 A	10/1989	Bradshaw et al.	
D335,782 S *	5/1993	Lechman	D6/652
D369,031 S	4/1996	Lechleiter et al.	
D380,624 S	7/1997	Mezger	
D405,977 S	2/1999	Prevost	
5,941,352 A	8/1999	Lee	
6,328,179 B1	12/2001	Conrado et al.	
D452,781 S *	1/2002	Kolberg	D6/652
6,371,495 B2	4/2002	Thompson	
D465,102 S	11/2002	Seiffarth	
D465,941 S	11/2002	Ko et al.	
D472,069 S	3/2003	Sedor et al.	
D474,287 S *	5/2003	Gresham	D25/136
D537,650 S	3/2007	Luong	
D557,927 S	12/2007	Helm et al.	
7,334,802 B2	2/2008	Kaplan	

(Continued)

Primary Examiner — Mary Ann Calabrese

Assistant Examiner — Catherine Ho

(57) **CLAIM**

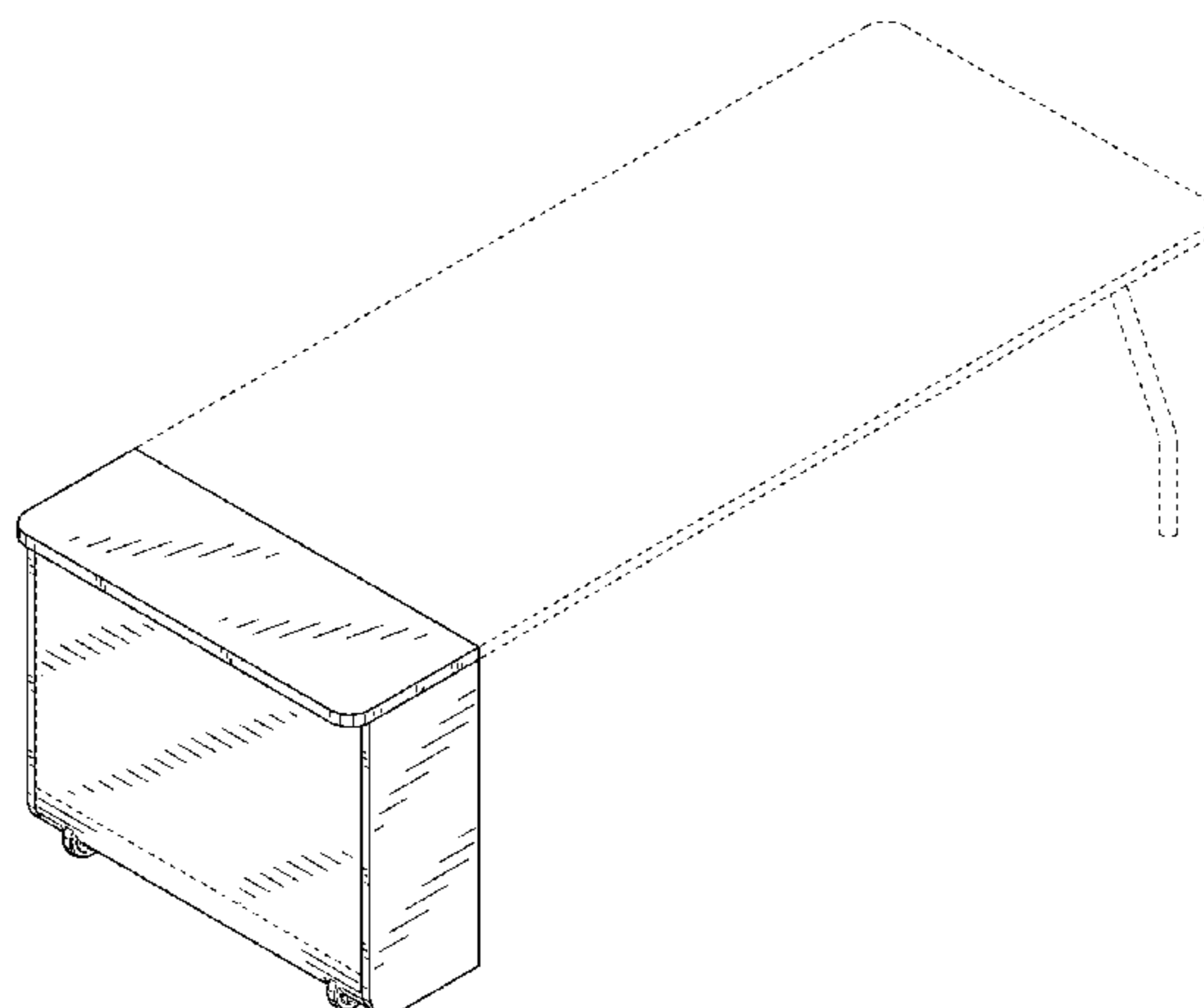
I claim the ornamental design for a table support, as shown and described.

DESCRIPTION

FIG. 1 is a front perspective view of a table support, showing our new design;
FIG. 2 is a bottom perspective view thereof;
FIG. 3 is a front view thereof, the rear view being a mirror image thereof;
FIG. 4 is a right side view thereof;
FIG. 5 is a left side view thereof;
FIG. 6 is a top view thereof; and,
FIG. 7 is a bottom view thereof.

The dotted lines are for purposes of illustrating environmental structure and form no part of the claimed design,

1 Claim, 6 Drawing Sheets



(56)

References Cited

U.S. PATENT DOCUMENTS

D625,121 S *	10/2010	Vignelli	D6/652
D647,724 S	11/2011	Hernandez et al.	
D648,568 S	11/2011	Cortivo et al.	
D658,910 S	5/2012	Kapp	
D677,496 S	3/2013	Agati et al.	
8,857,348 B2	10/2014	Gevaert et al.	
8,919,507 B2	12/2014	Parizek et al.	
8,925,469 B2	1/2015	Bennie et al.	
D734,030 S	7/2015	Wang et al.	
9,072,376 B2	7/2015	Wagner	
2002/0097567 A1 *	7/2002	Zodnik	A47B 7/02 361/820
2004/0163574 A1	8/2004	Schoenbach et al.	
2009/0145338 A1	6/2009	Panosian et al.	

* cited by examiner

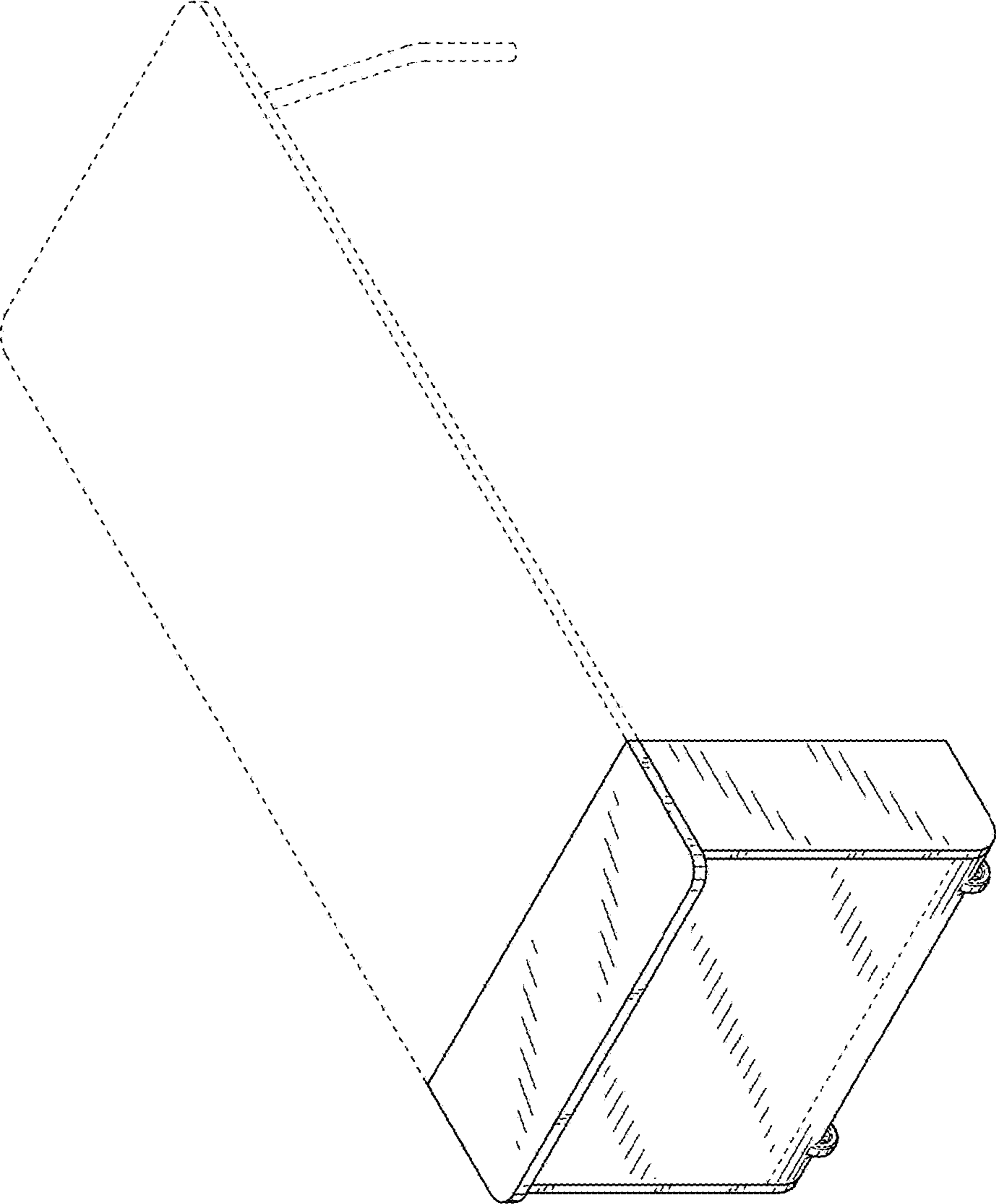


FIG. 1

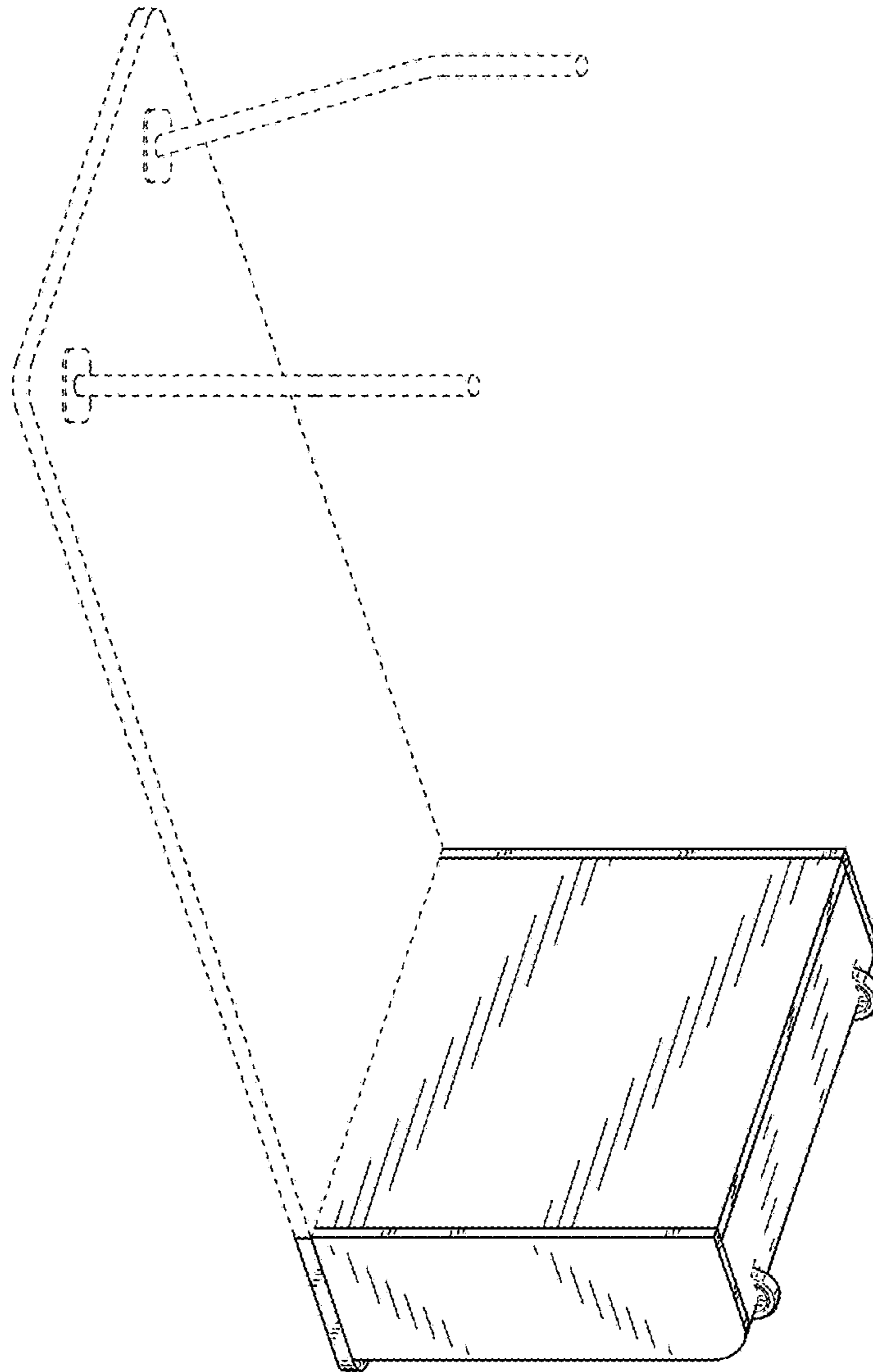


FIG. 2

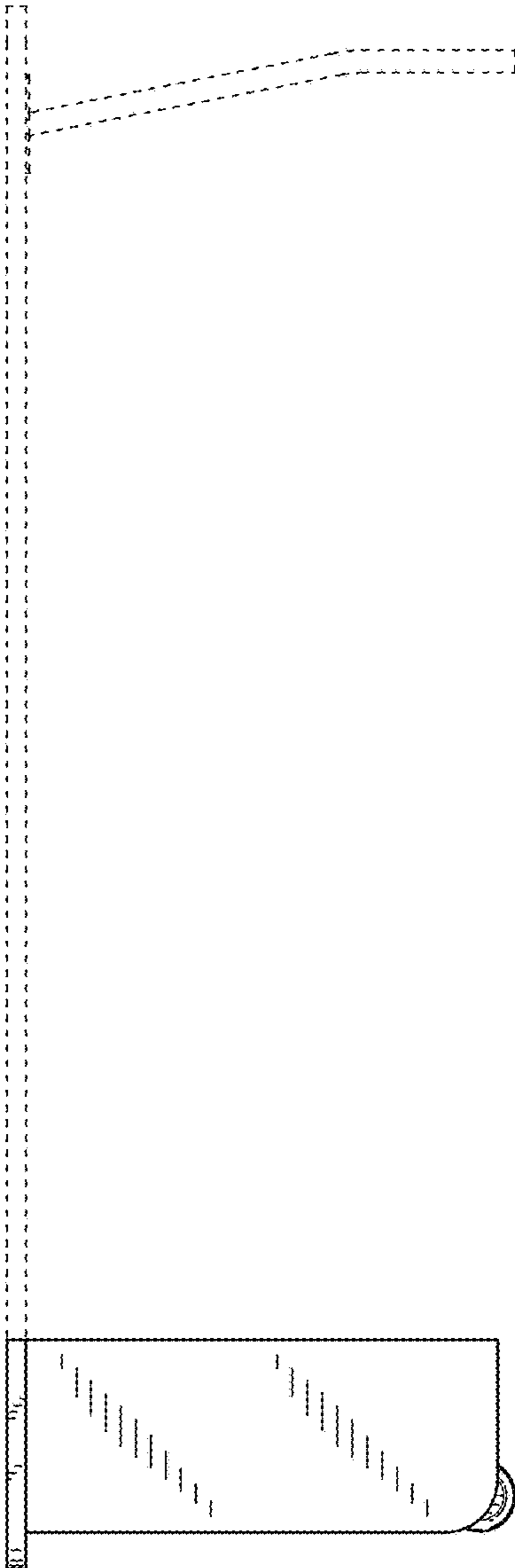


FIG. 3

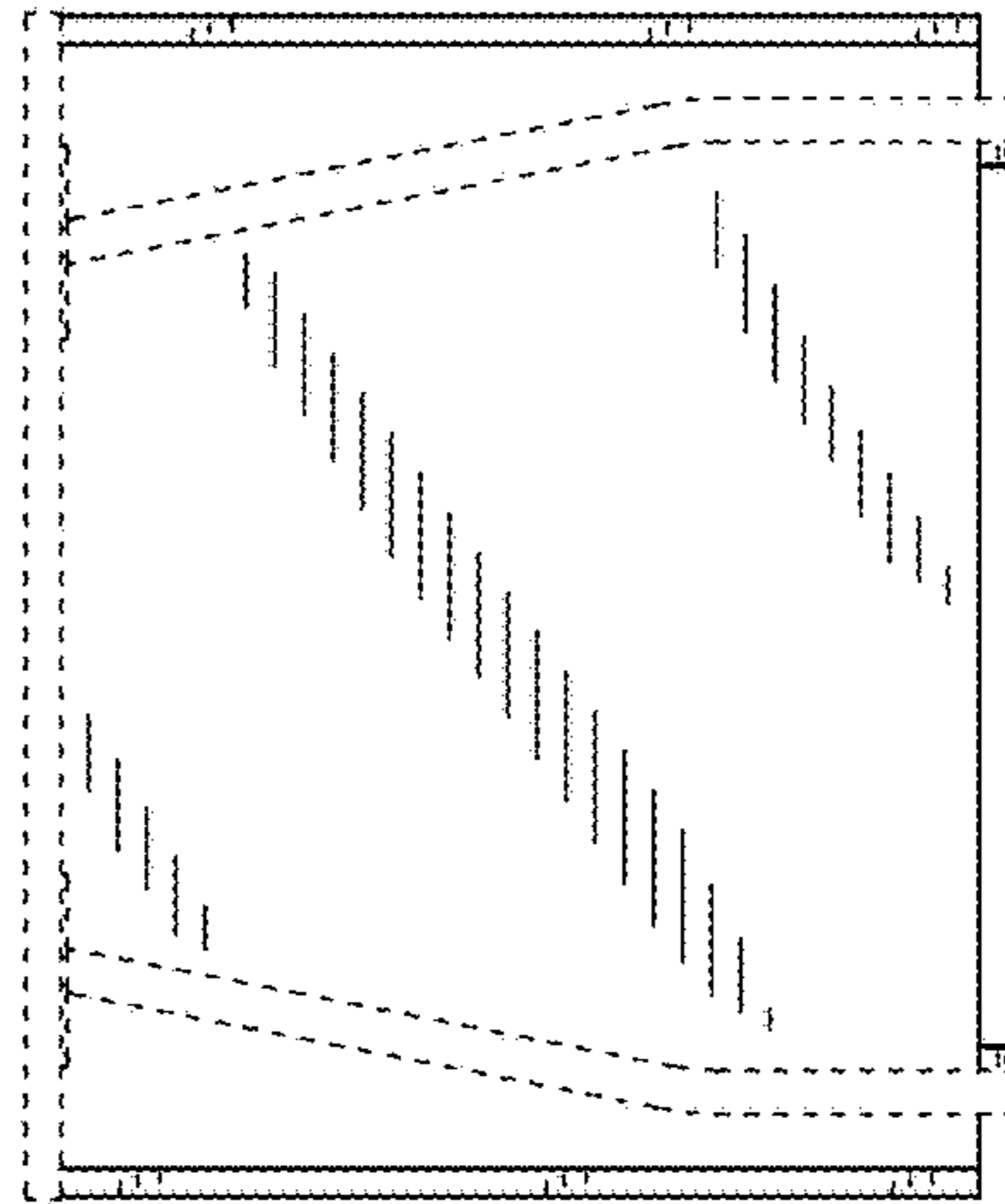


FIG. 5

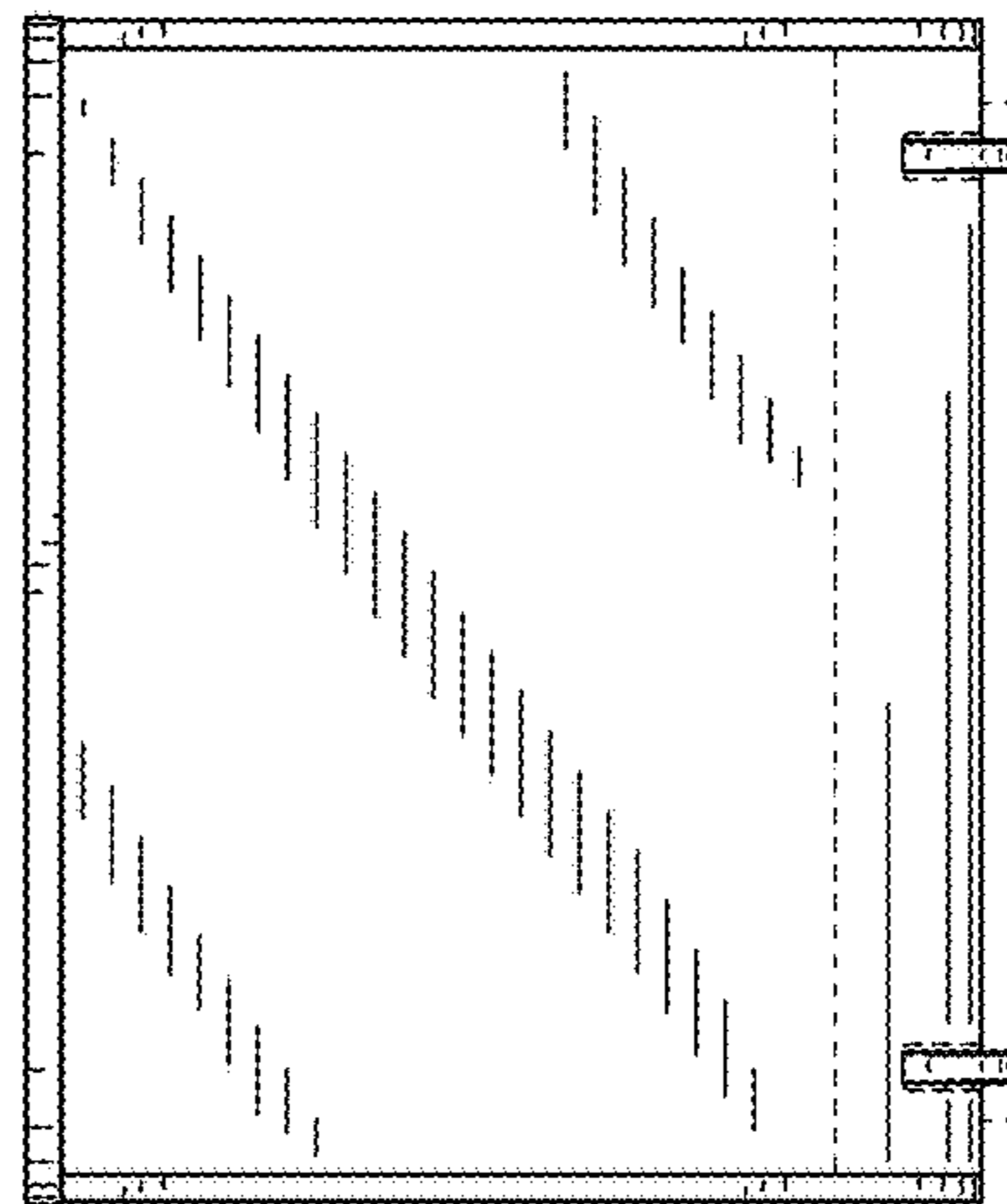


FIG. 4



FIG. 6



FIG. 7