



US00D846305S

(12) **United States Design Patent**
Allen

(10) **Patent No.:** **US D846,305 S**
(45) **Date of Patent:** **** Apr. 23, 2019**

- (54) **MAT**
- (71) Applicant: **Randy B. Allen**, Houston, TX (US)
- (72) Inventor: **Randy B. Allen**, Houston, TX (US)
- (**) Term: **15 Years**
- (21) Appl. No.: **29/635,695**
- (22) Filed: **Feb. 1, 2018**
- (51) **LOC (11) Cl.** **06-11**
- (52) **U.S. Cl.**
USPC **D6/582; D6/592**
- (58) **Field of Classification Search**
USPC D6/582–585, 587–589, 591, 592;
D21/662, 792; D12/203; D32/57
CPC A47G 23/0303; A47G 27/0206; A47G
27/0212; A47G 27/0218; A47G 27/0225;
A47G 27/0237; A47G 9/06; A47G 9/062;
A47L 23/20; A47L 23/24; A47L 23/26;
A47L 23/266; A63B 21/4037; A63B 6/00;
A63B 21/00; A47K 3/002
See application file for complete search history.

(56) **References Cited**

U.S. PATENT DOCUMENTS

- 1,633,951 A * 6/1927 O’Toole A47G 27/0225
4/251.1
- 1,641,029 A * 8/1927 Gaudet A47G 27/0225
15/215
- D242,052 S * 10/1976 Van Ness D30/129
- 4,285,075 A * 8/1981 Nelson A47K 17/00
4/251.1
- D367,091 S * 2/1996 Purdy D21/780
- D497,072 S * 10/2004 Suero, Jr. D6/583
- D508,180 S * 8/2005 Sneed A01K 1/0107
D25/138
- D543,765 S * 6/2007 Allen A47G 27/0225
D6/582

- D552,910 S * 10/2007 Connor A47G 27/0225
D6/583
- D703,975 S * 5/2014 Huss G09B 3/00
D6/582
- D734,064 S * 7/2015 Stickler A47G 23/0303
D6/592
- D734,849 S * 7/2015 Conforti A47G 23/0303
D24/124
- D754,245 S * 4/2016 Wampold D17/2
- D763,600 S * 8/2016 Huss D6/582
- 2002/0142125 A1 * 10/2002 Seal A47G 27/0225
428/81
- 2004/0175539 A1 * 9/2004 Shevins A47G 23/0303
428/102
- 2004/0241391 A1 * 12/2004 Levine A47G 27/0225
428/137
- 2005/0009425 A1 * 1/2005 Foote A01K 1/0107
442/57
- 2005/0022298 A1 * 2/2005 de Leon A47G 27/0225
4/661

(Continued)

Primary Examiner — Kevin K Rudzinski
Assistant Examiner — Clare Ann Gannon
(74) *Attorney, Agent, or Firm* — Egbert Law Offices,
PLLC

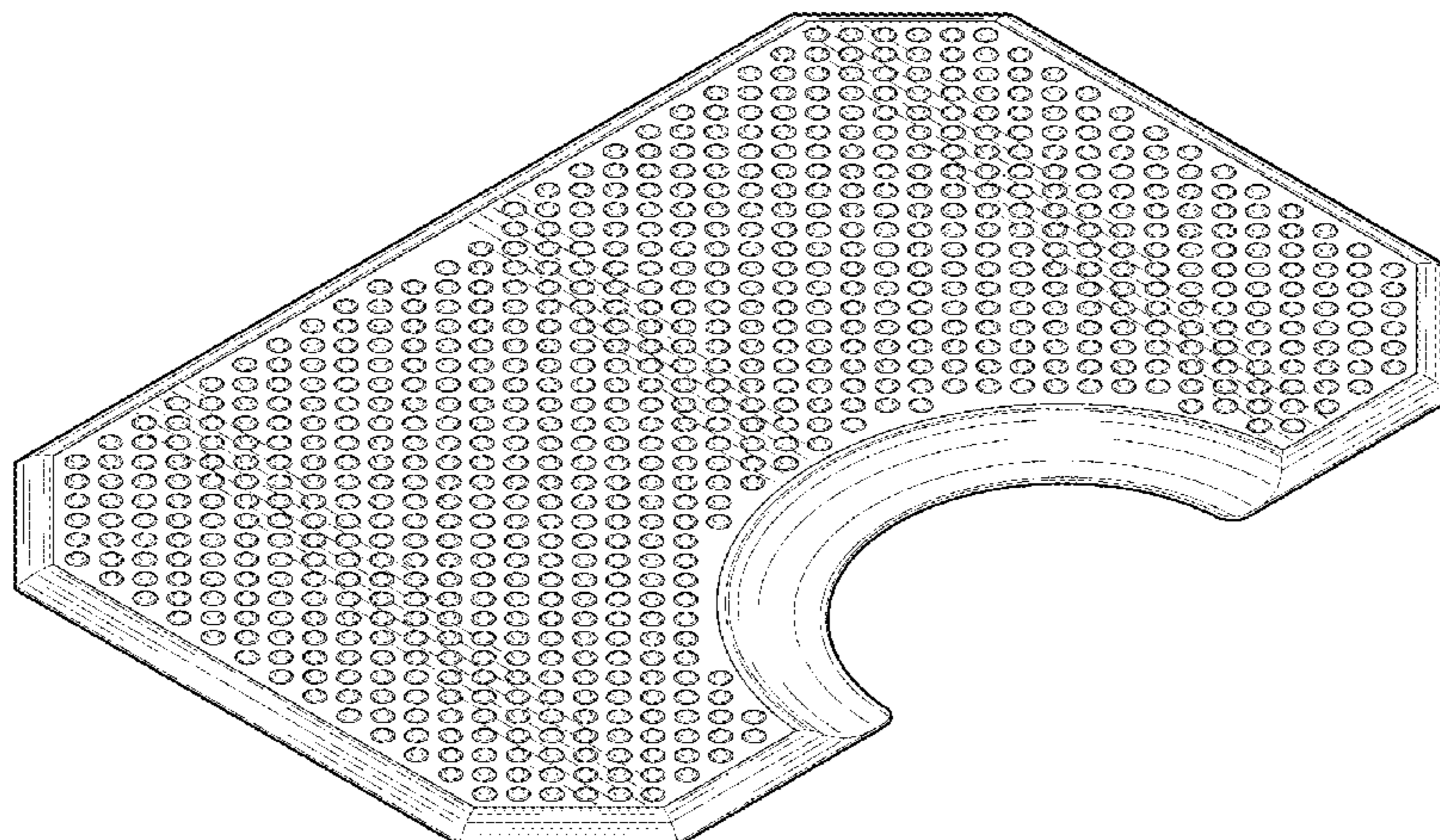
(57) **CLAIM**

The ornamental design for a mat, as shown and described.

DESCRIPTION

FIG. 1 is an upper perspective view of a mat showing my new design.
FIG. 2 is front view thereof;
FIG. 3 is a rear view thereof;
FIG. 4 is a side view thereof;
FIG. 5 is an opposite side view thereof;
FIG. 6 is a top plan view thereof; and,
FIG. 7 is an enlarged detail view of area 7 in FIG. 6.
The bottom of the mat forms no part of the claimed design.

1 Claim, 2 Drawing Sheets



(56)

References Cited

U.S. PATENT DOCUMENTS

2012/0100331 A1* 4/2012 Bowen A47G 23/0303
428/81
2012/0128922 A1* 5/2012 Bowen A47G 23/0303
428/80
2016/0019799 A1* 1/2016 Hosang G09B 3/00
434/98

* cited by examiner

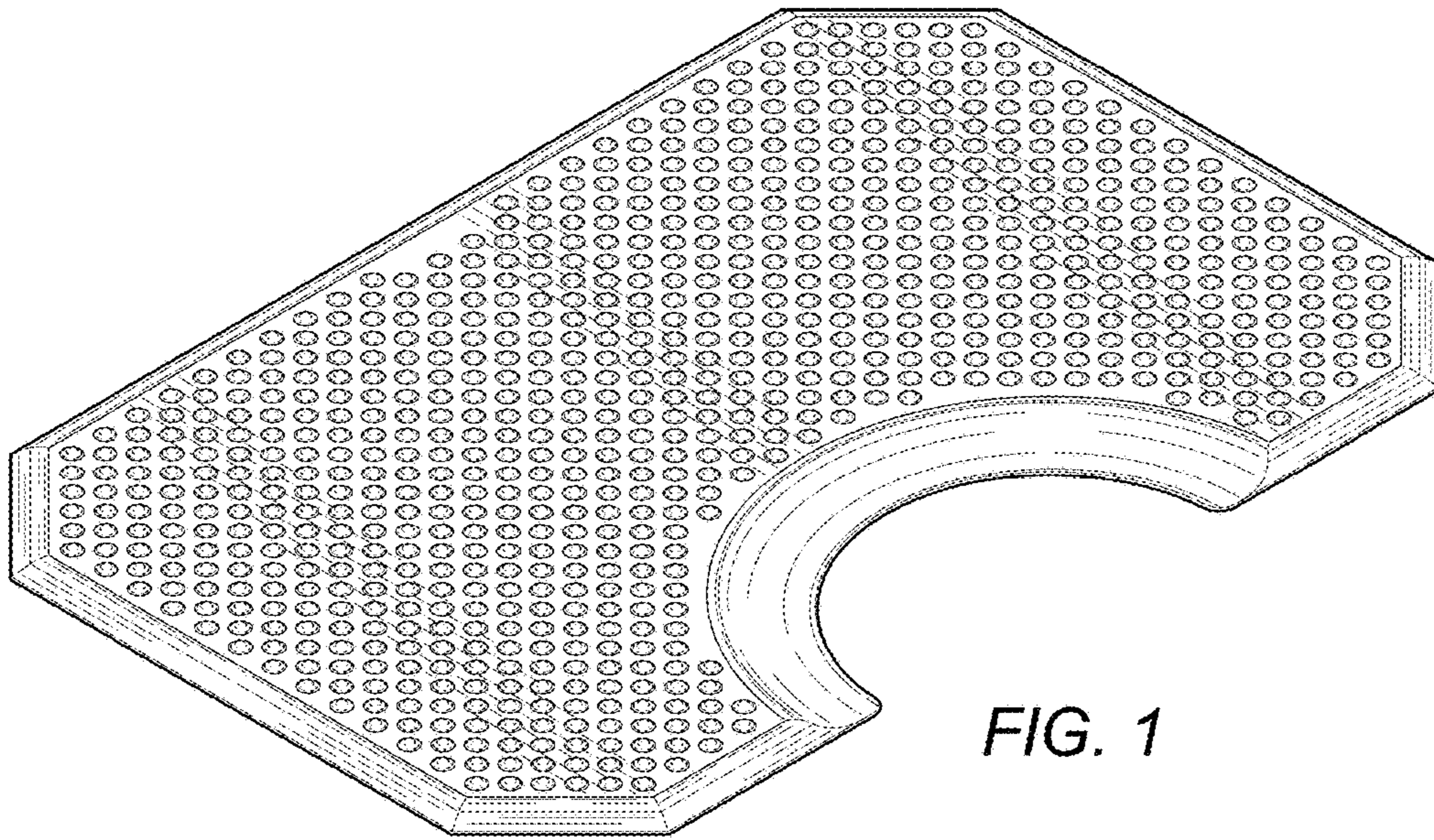


FIG. 1

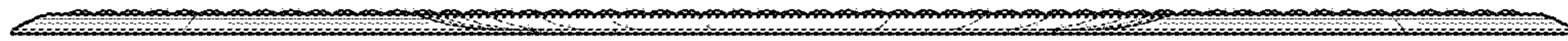


FIG. 2



FIG. 3

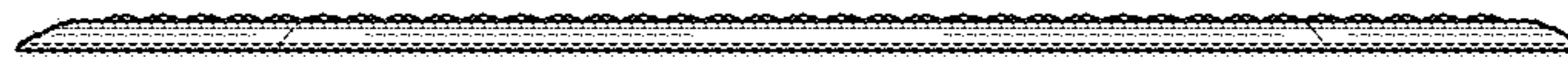


FIG. 4

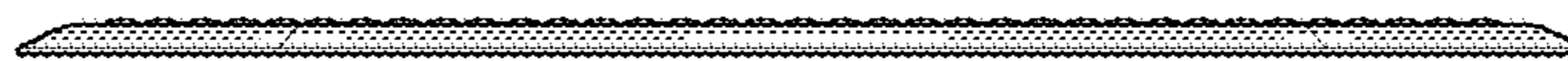


FIG. 5

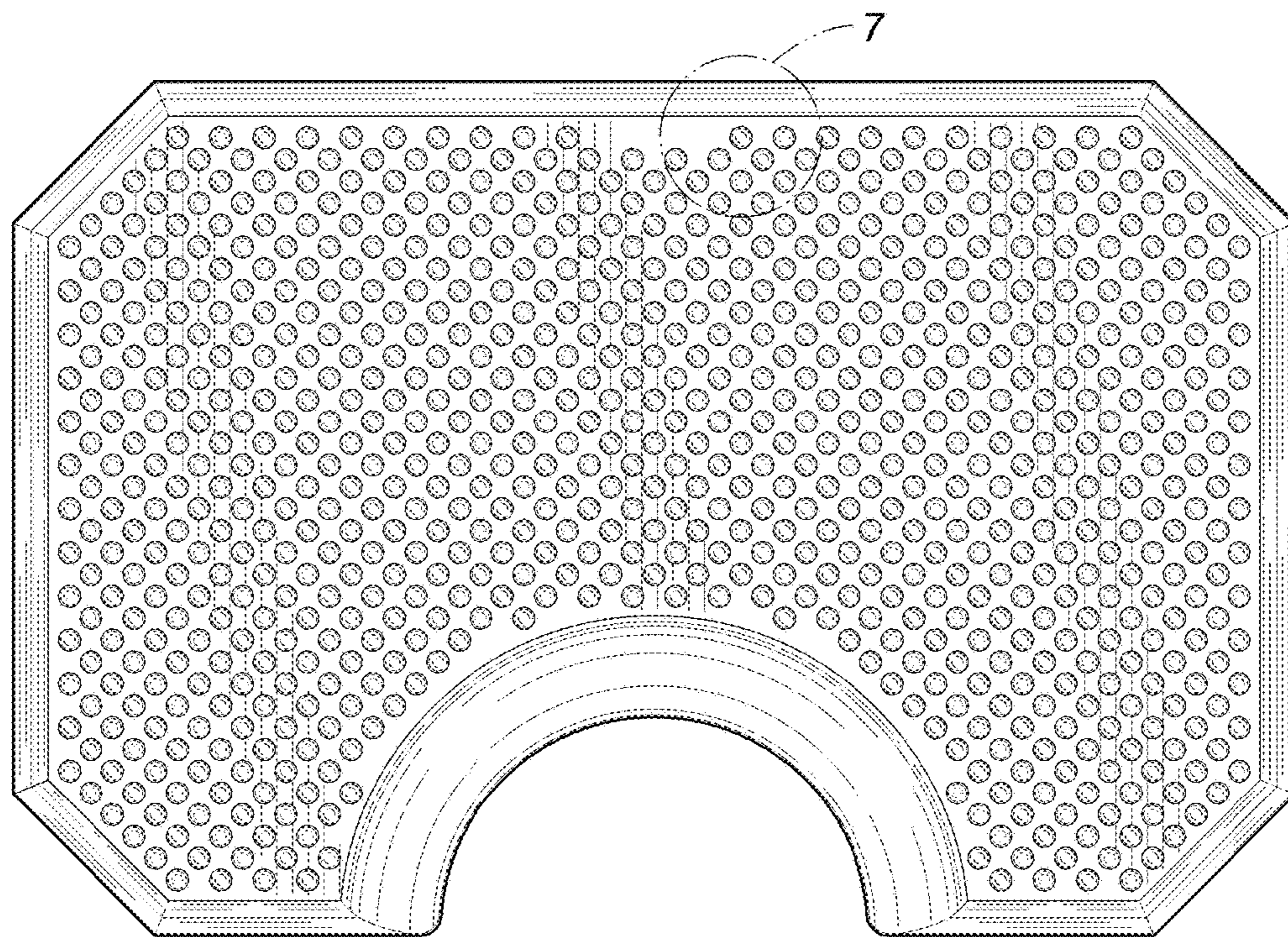


FIG. 6

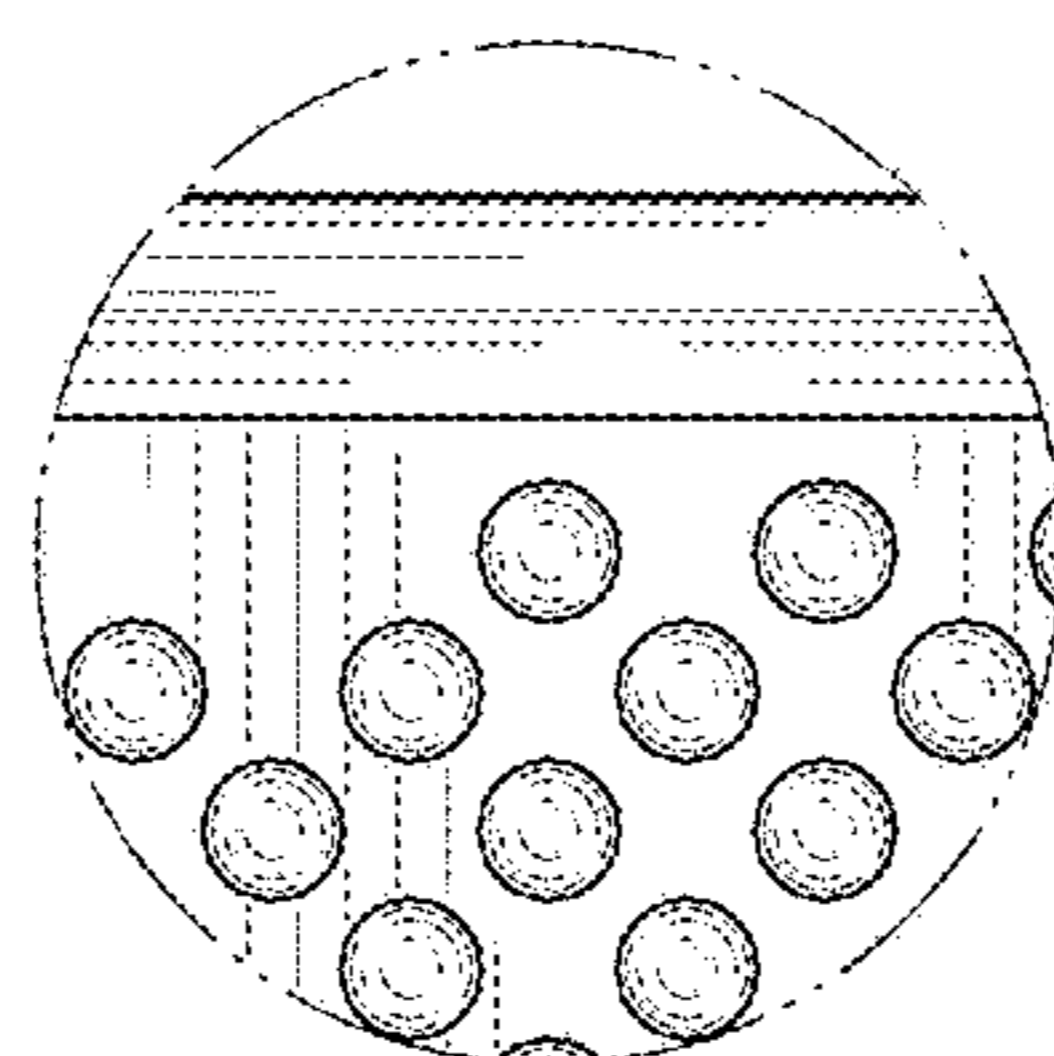


FIG. 7