



US00D846304S

(12) **United States Design Patent**
Allen et al.

(10) **Patent No.:** **US D846,304 S**
(45) **Date of Patent:** **** Apr. 23, 2019**

(54) **RAIL-MOUNTED FOOD AND BEVERAGE PLATFORM**

(71) Applicants: **Janet Allen**, Panama City, FL (US);
Scott Allen, Panama City, FL (US)

(72) Inventors: **Janet Allen**, Panama City, FL (US);
Scott Allen, Panama City, FL (US)

(**) Term: **15 Years**

(21) Appl. No.: **29/642,543**

(22) Filed: **Mar. 30, 2018**

Related U.S. Application Data

(63) Continuation-in-part of application No. 29/580,162,
filed on Oct. 6, 2016, now abandoned.

(51) **LOC (11) Cl.** **06-04**

(52) **U.S. Cl.**
USPC **D6/574**

(58) **Field of Classification Search**
USPC D6/574, 320-324; D7/698; D26/72;
52/287.1; 211/13.1, 42, 86.01, 88.01,
211/90.01; 248/205.3, 235, 243, 247,
248/249, 250; 312/108, 140.2, 229
CPC A47B 43/00; A47B 43/04; A47B 47/0066;
A47B 47/04; A47B 63/00; A47B 69/00;
A47B 71/00; A47B 96/022; A47B 57/42;
A47B 96/02; A47B 57/46; A47B 96/06;
B65D 51/00; A47F 7/0035
See application file for complete search history.

(56) **References Cited**

U.S. PATENT DOCUMENTS

D176,637 S * 1/1956 Sivertson 211/88.01
D267,699 S * 1/1983 Prawl D8/354

D309,687 S * 8/1990 Embree D6/552
5,493,947 A * 2/1996 Philbeck F16M 13/00
116/171
D430,766 S * 9/2000 Sorensen D6/574
D480,586 S * 10/2003 Stein D6/552
D489,927 S * 5/2004 Hoernig D6/574
D547,991 S * 8/2007 Kubota D6/567
D583,176 S * 12/2008 Bochner D6/555
D719,376 S * 12/2014 Nelson D6/555
D725,406 S * 3/2015 Olszewski D6/567
D782,845 S * 4/2017 Golembieski D6/574
2007/0012637 A1 * 1/2007 Yu A47B 46/005
211/96

* cited by examiner

Primary Examiner — David G Muller

Assistant Examiner — Nathan M Johnston

(74) *Attorney, Agent, or Firm* — Dale J. Ream

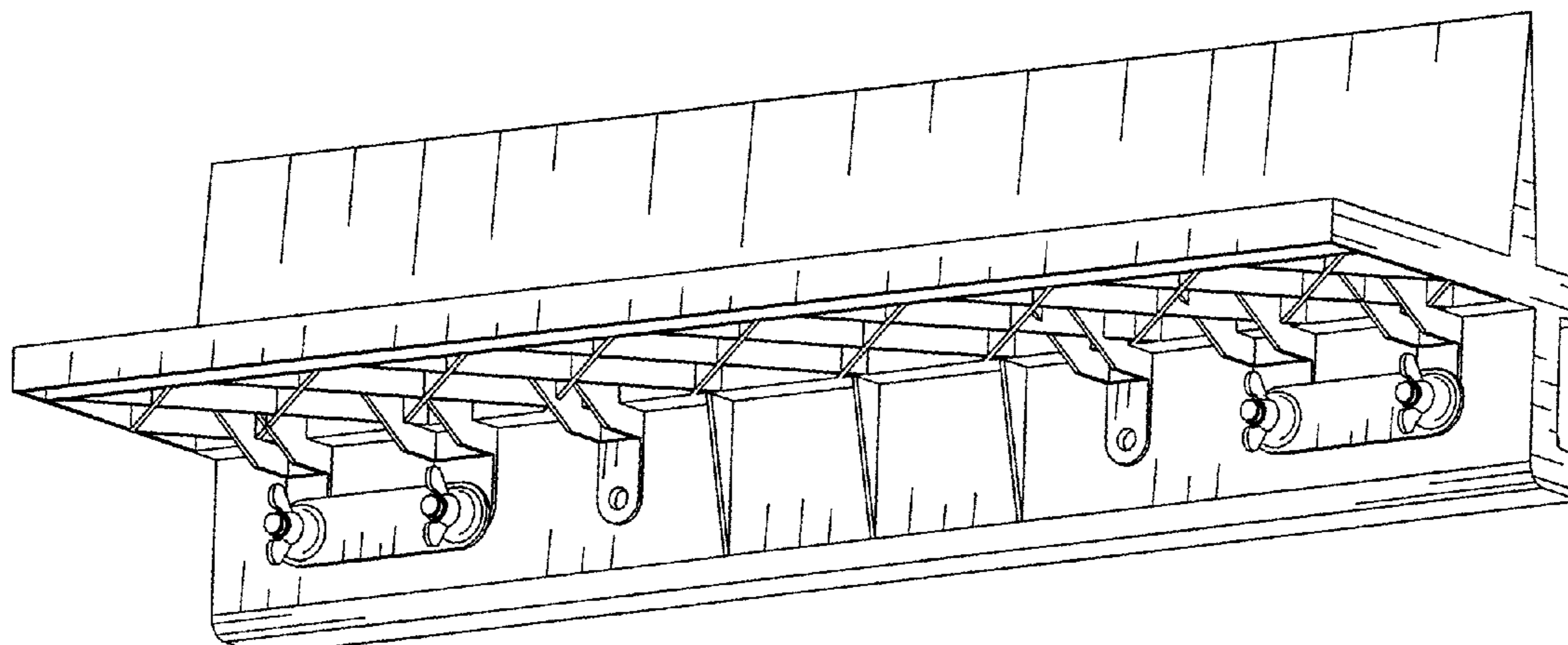
(57) **CLAIM**

The ornamental design for a rail-mounted food and beverage platform, as shown and described.

DESCRIPTION

FIG. 1 is perspective front view of a rail-mounted food and beverage platform showing our new design; FIG. 2 is a front elevation view thereof; FIG. 3 is a perspective rear view thereof; FIG. 4 is a left elevation view thereof; FIG. 5 is a right elevation view thereof; FIG. 6 is a top plan view thereof; and, FIG. 7 is a bottom plan view thereof.

1 Claim, 7 Drawing Sheets



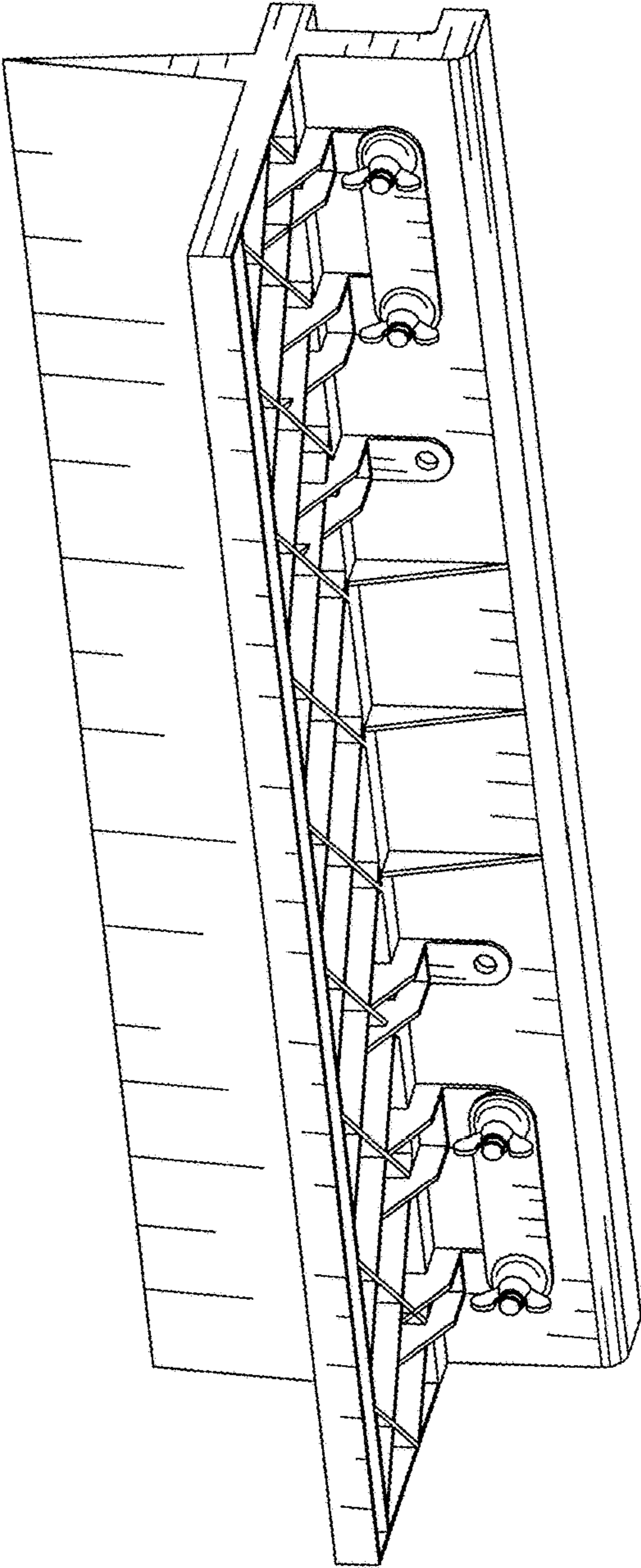


Fig. 1

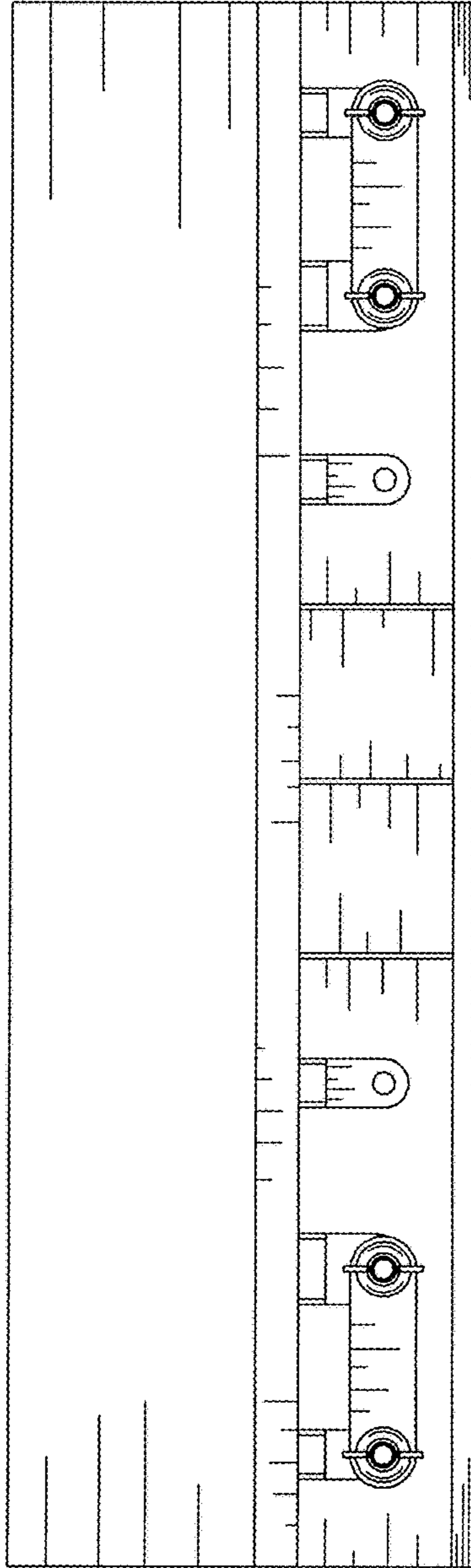


Fig. 2

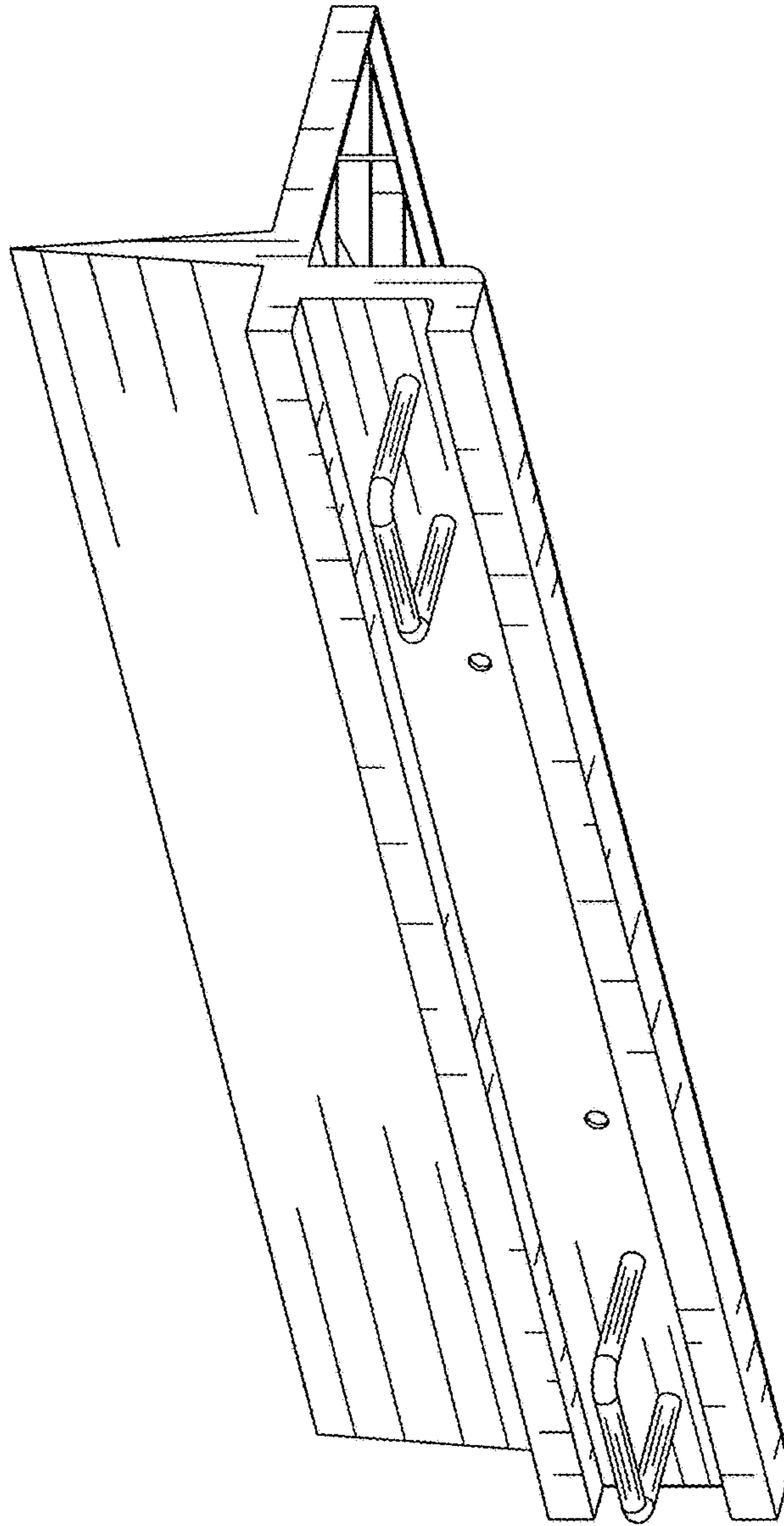


Fig. 3

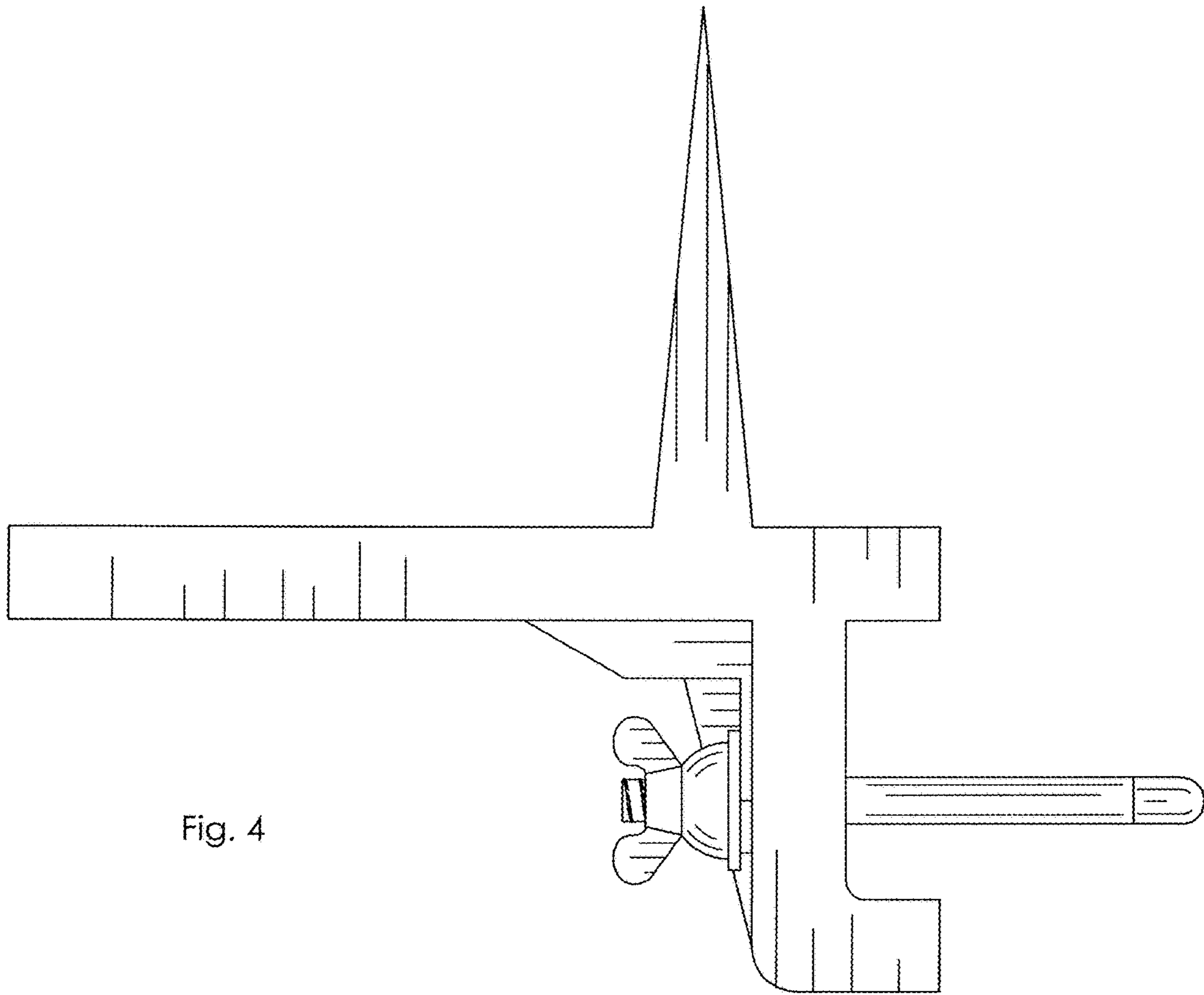


Fig. 4

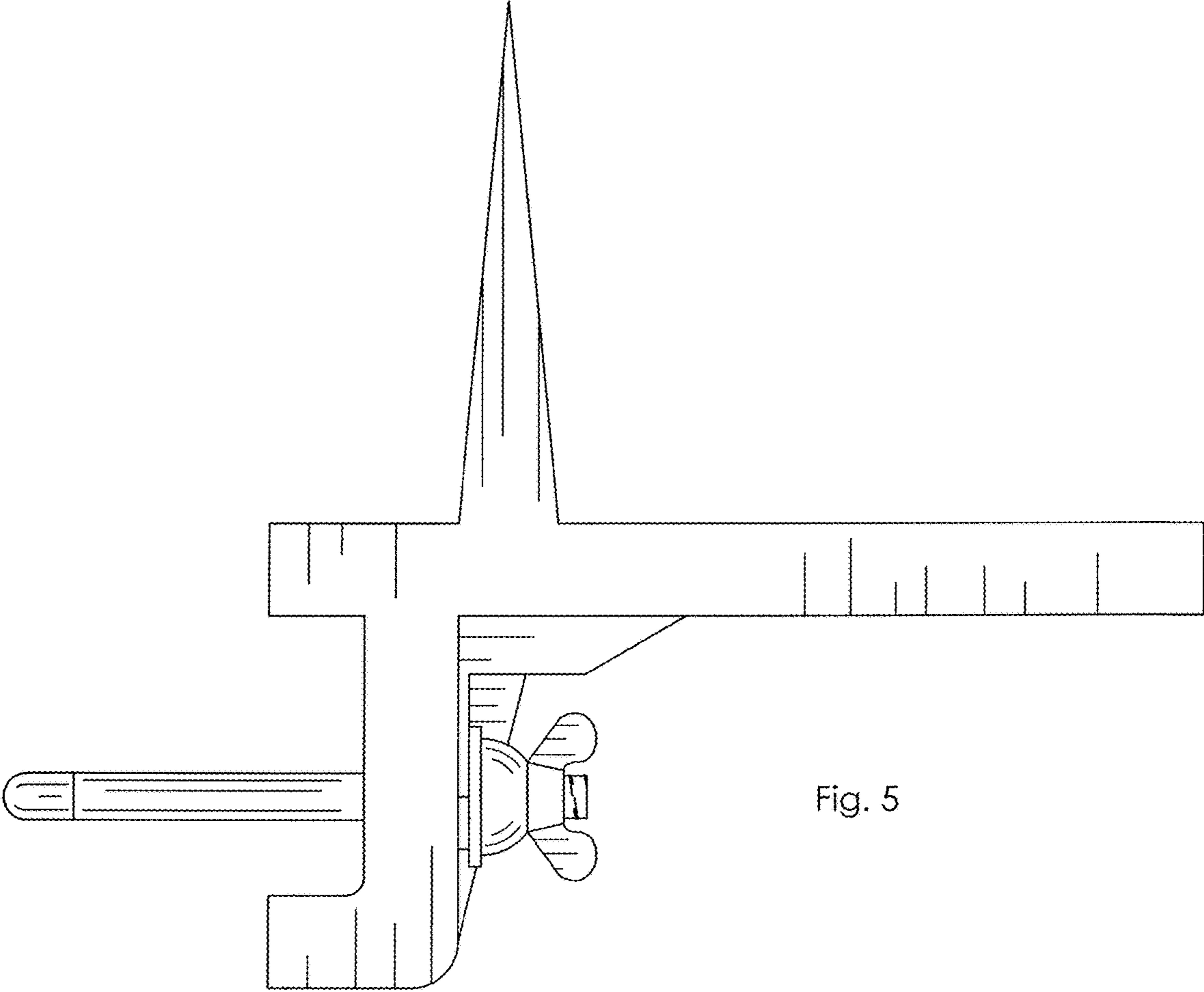


Fig. 5

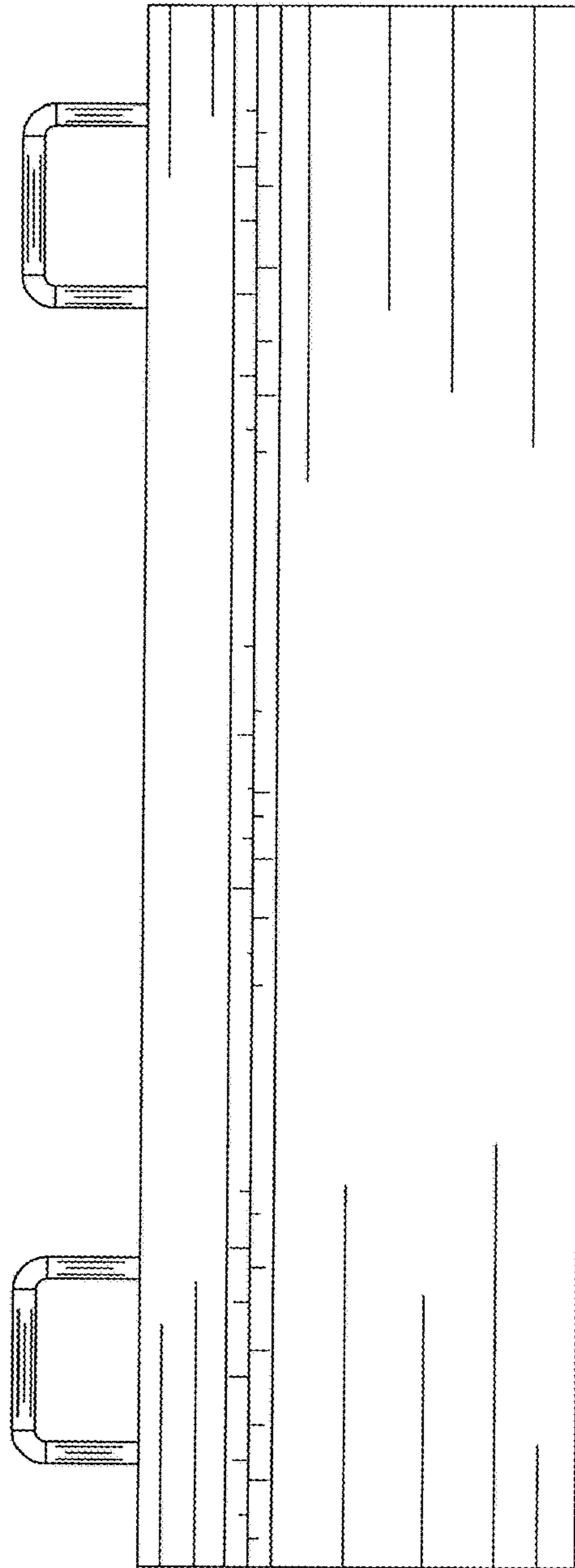


Fig. 6

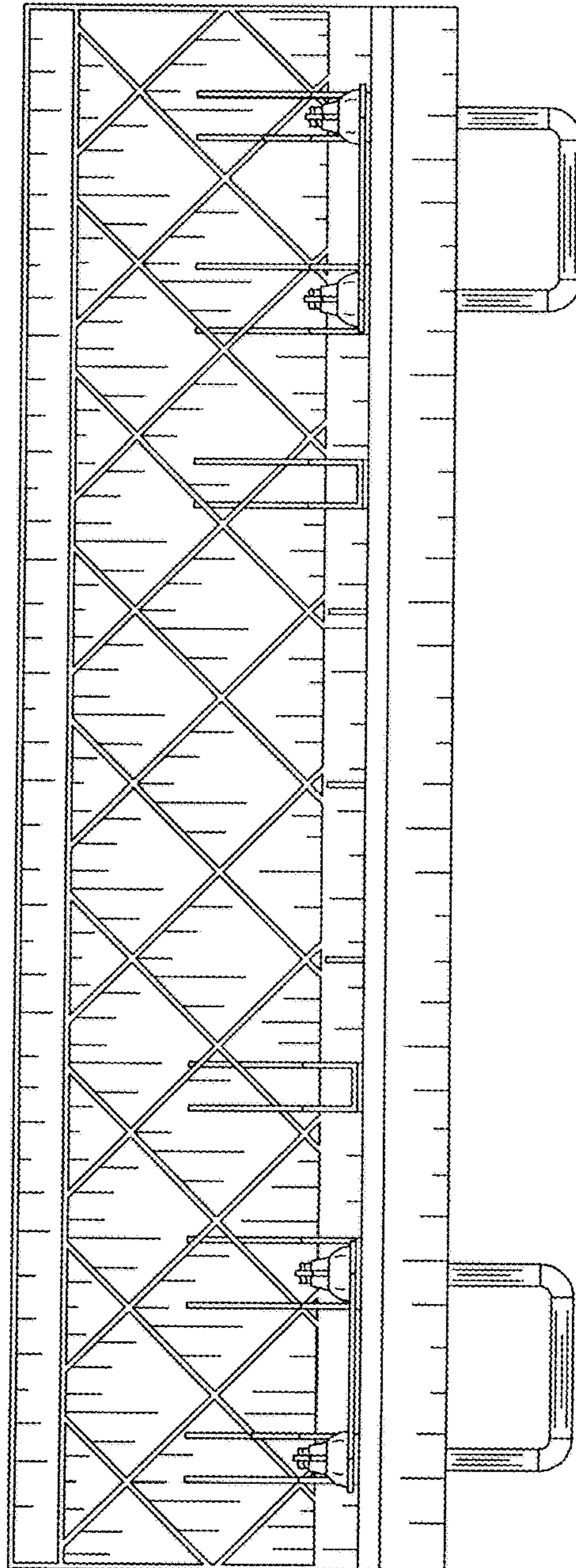


Fig. 7