



US00D846303S

(12) **United States Design Patent** (10) **Patent No.:** **US D846,303 S**
Wilson et al. (45) **Date of Patent:** **** Apr. 23, 2019**

(54) **BASKET**

(56) **References Cited**

(71) Applicant: **Spectrum Diversified Designs, LLC**,
Streetsboro, OH (US)

U.S. PATENT DOCUMENTS

(72) Inventors: **Courtney Wilson**, Chardon, OH (US);
Aaron D. Goodman, Beachwood, OH
(US)

D289,060 S * 3/1987 Wolff D19/77
D297,693 S * 9/1988 Norstedt D6/553
D333,114 S * 2/1993 Taylor D12/133
D355,555 S * 2/1995 Ryan D6/569
D358,049 S * 5/1995 Wilson D19/78
D449,481 S * 10/2001 Snell D6/566
D551,002 S * 9/2007 Snell D6/525
D555,936 S * 11/2007 King D6/675.3
D556,407 S * 11/2007 Snell D19/75

(73) Assignee: **Spectrum Diversified Designs, LLC**,
Streetsboro, OH (US)

(Continued)

(**) Term: **15 Years**

(21) Appl. No.: **29/636,614**

OTHER PUBLICATIONS

(22) Filed: **Feb. 9, 2018**

Spectrum diversified website, Vintage Desktop Office File & Letter Holder, Dec. 18, 2018, <https://www.spectrumdiversified.com/products/vintage-desktop-office-file-letter-holder>.*

(51) **LOC (11) Cl.** **06-04**

(52) **U.S. Cl.**
USPC **D6/566**

(58) **Field of Classification Search**

USPC D6/546-550, 512-525, 553, 566;
211/13.1, 16, 85.5, 86.01, 87.01, 88.04,
211/100, 105.1, 105.2, 106, 113, 123,
211/181.1, 182-183; 248/49, 175, 176.1,
248/200, 201, 205.1, 251, 302, 309.1,
248/315; 108/28-29; 242/570, 590,
242/595-598; D8/300, 315-321, 354,
D8/363, 373, 380; D25/45; D26/51;
D3/306, 304
CPC .. A47F 5/01; A47F 7/00; A47F 7/0028; A47F
5/0006; A47F 5/0823; A47F 1/082; A47F
1/121; A47F 5/02; A47F 5/0846; A47F
5/137; A47F 7/0064; A47F 7/065; A47F
3/0404; A47F 5/0018; A47F 5/0025;
A47F 5/0037; A47B 55/02; A47B 81/00;
A47B 81/007; A47B 13/14; A47B
2097/003; A47B 2220/0008; A47B 45/00;
A47B 49/00; A47B 57/00; A47B 57/04;
A47B 63/00; A47B 67/00; A47B 81/04;
A47B 96/065

Primary Examiner — David G Muller

Assistant Examiner — Nathan M Johnston

(74) *Attorney, Agent, or Firm* — Renner, Otto, Boisselle
and Sklar, LLP

(57) **CLAIM**

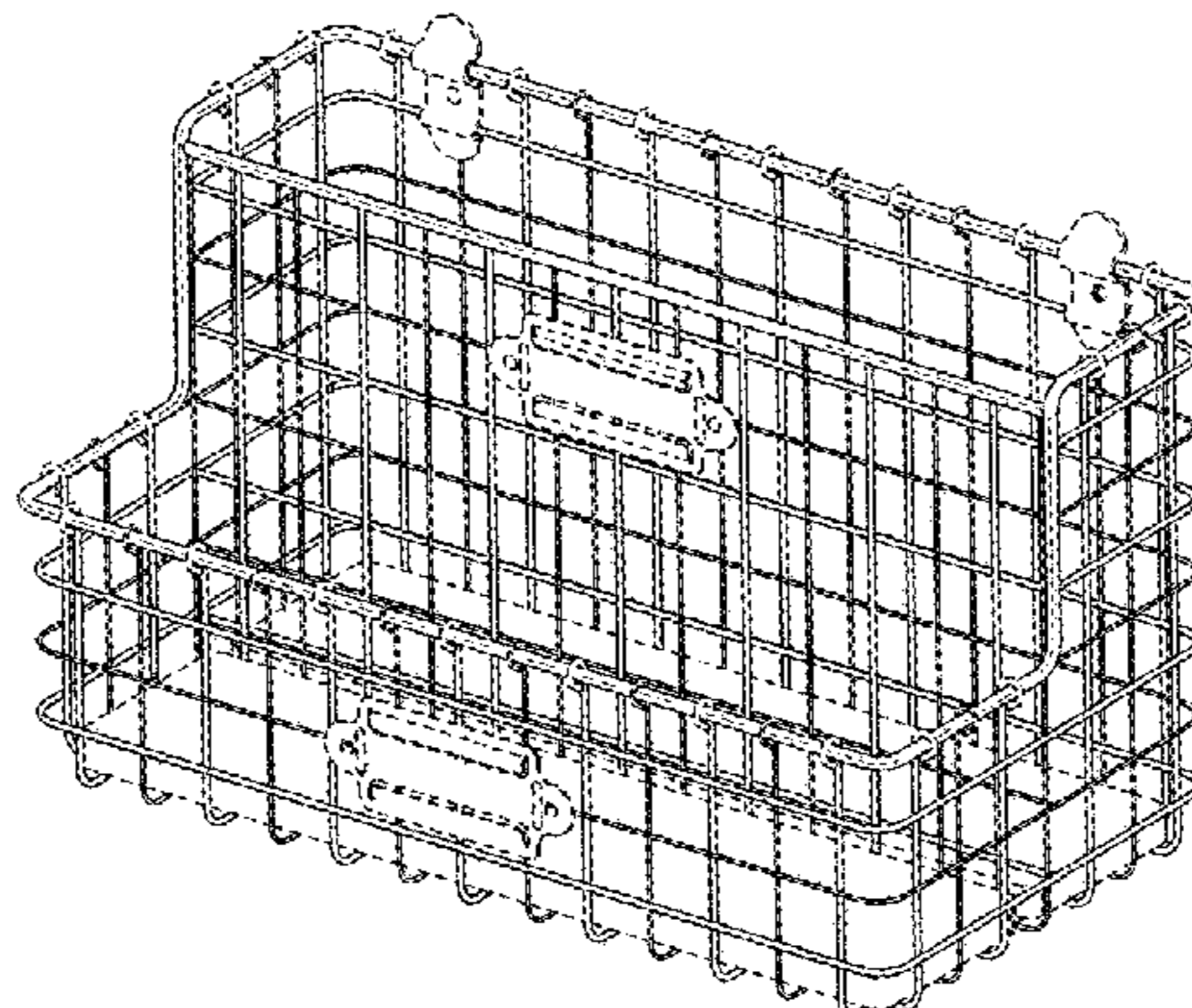
The ornamental design for a basket, as shown and described.

DESCRIPTION

FIG. 1 is a top, right, front perspective view of a basket showing our new design;
FIG. 2 is a front elevation view thereof;
FIG. 3 is a rear elevation view thereof;
FIG. 4 is a top plan view thereof;
FIG. 5 is a bottom plan view thereof;
FIG. 6 is a left side elevation view thereof; and,
FIG. 7 is a right side elevation view thereof.
The broken line showing is for the purpose of illustrating unclaimed portions of the article and forms no part of the claimed design.

See application file for complete search history.

1 Claim, 4 Drawing Sheets



(56)

References Cited

U.S. PATENT DOCUMENTS

D563,708 S *	3/2008	Snell	D6/566
D607,673 S *	1/2010	Stephenson	D6/515
D622,076 S *	8/2010	Nash	D6/512
D746,592 S	1/2016	Goodman et al.	
D784,721 S	4/2017	Goodman et al.	
D786,557 S	5/2017	Goodman et al.	
D823,648 S *	7/2018	Goodman	D7/631

* cited by examiner

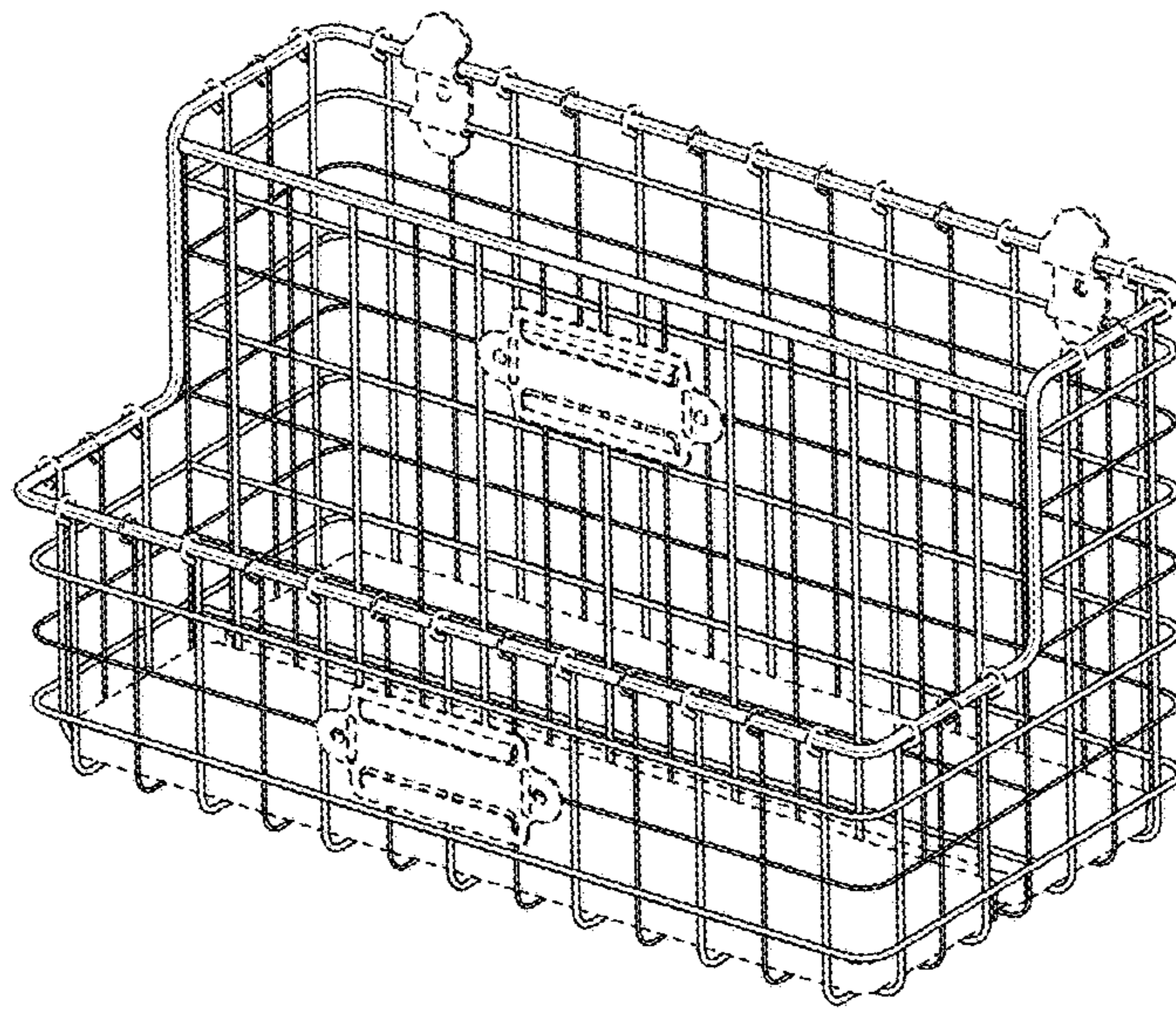


FIG. 1

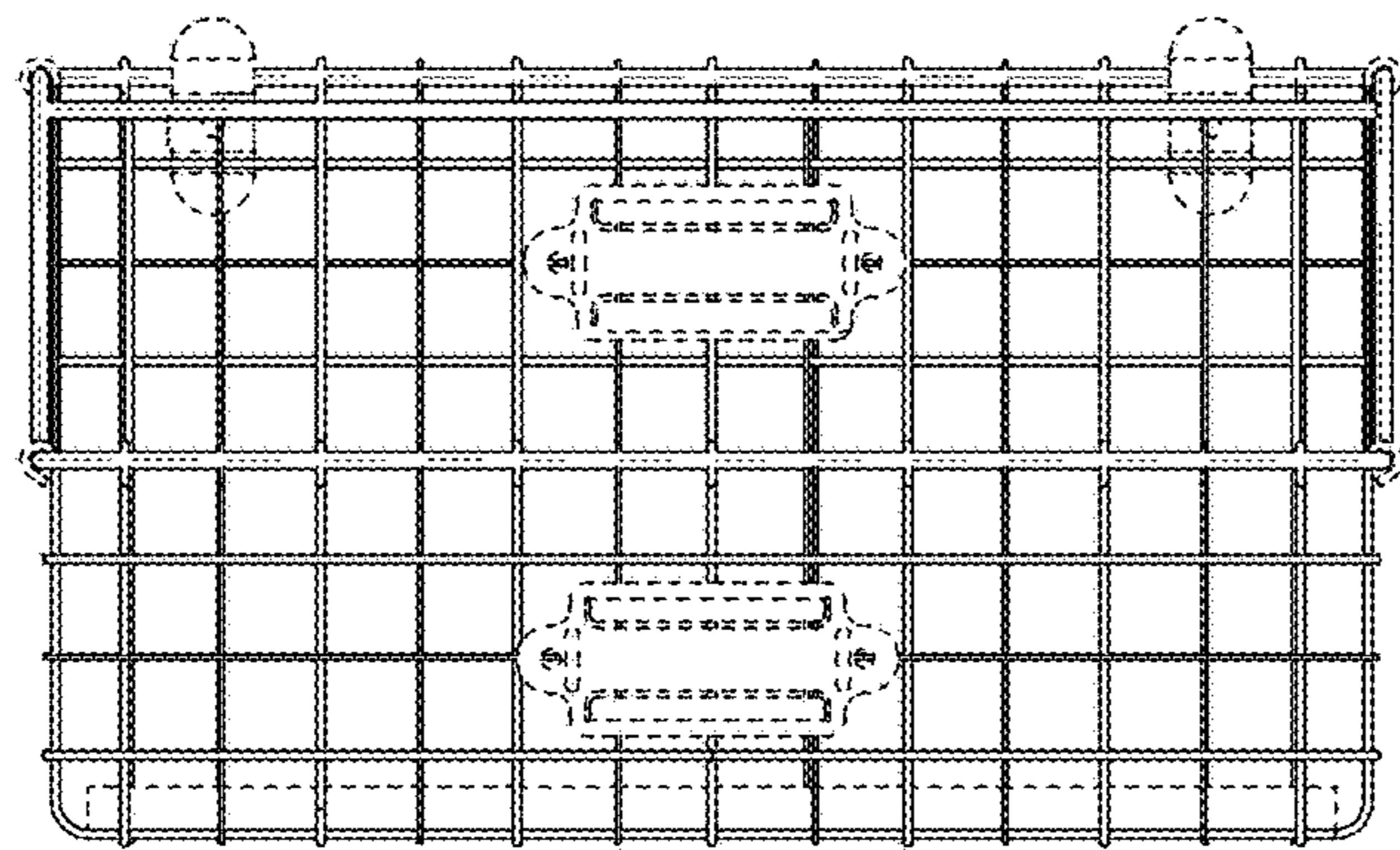


FIG. 2

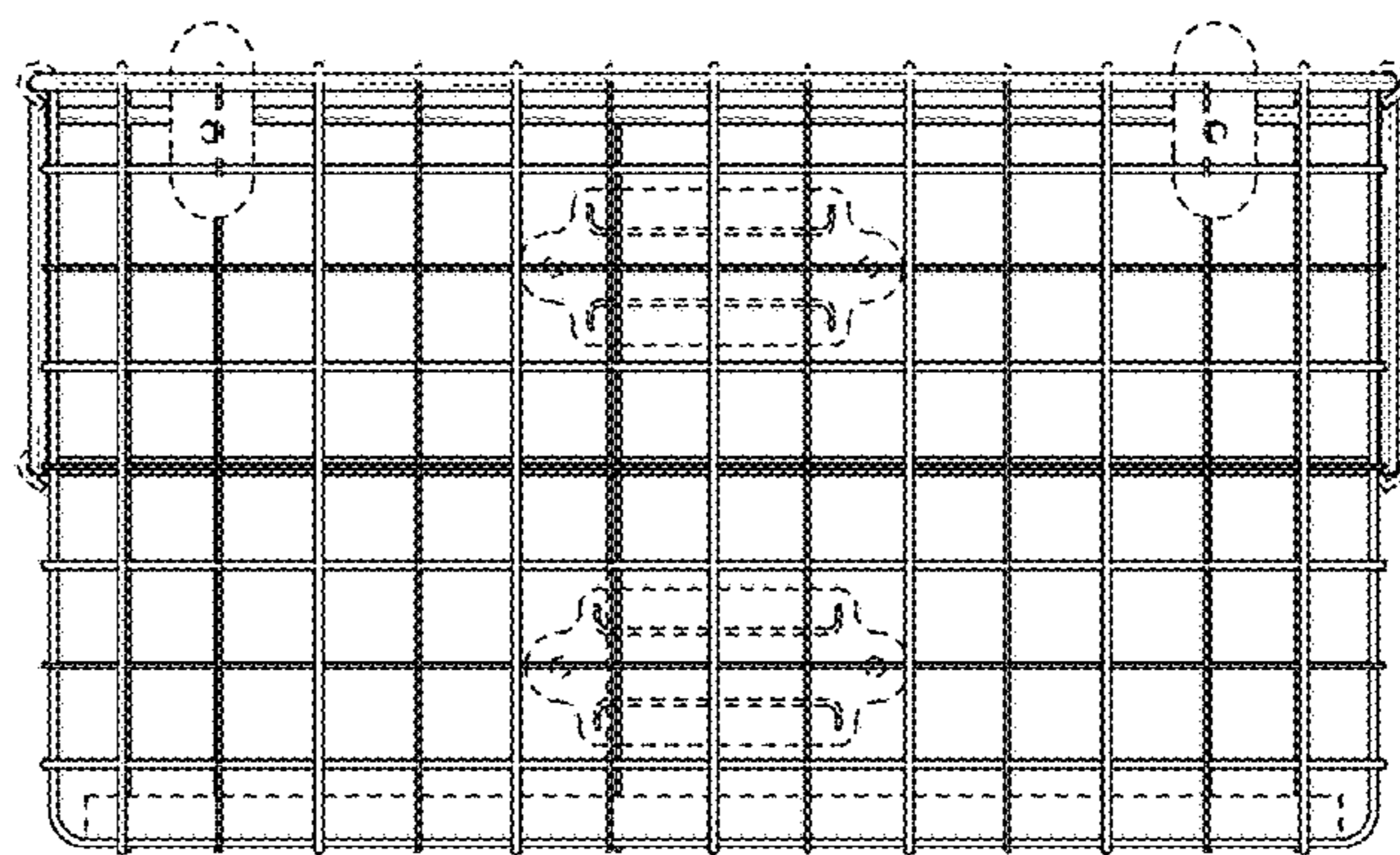


FIG. 3

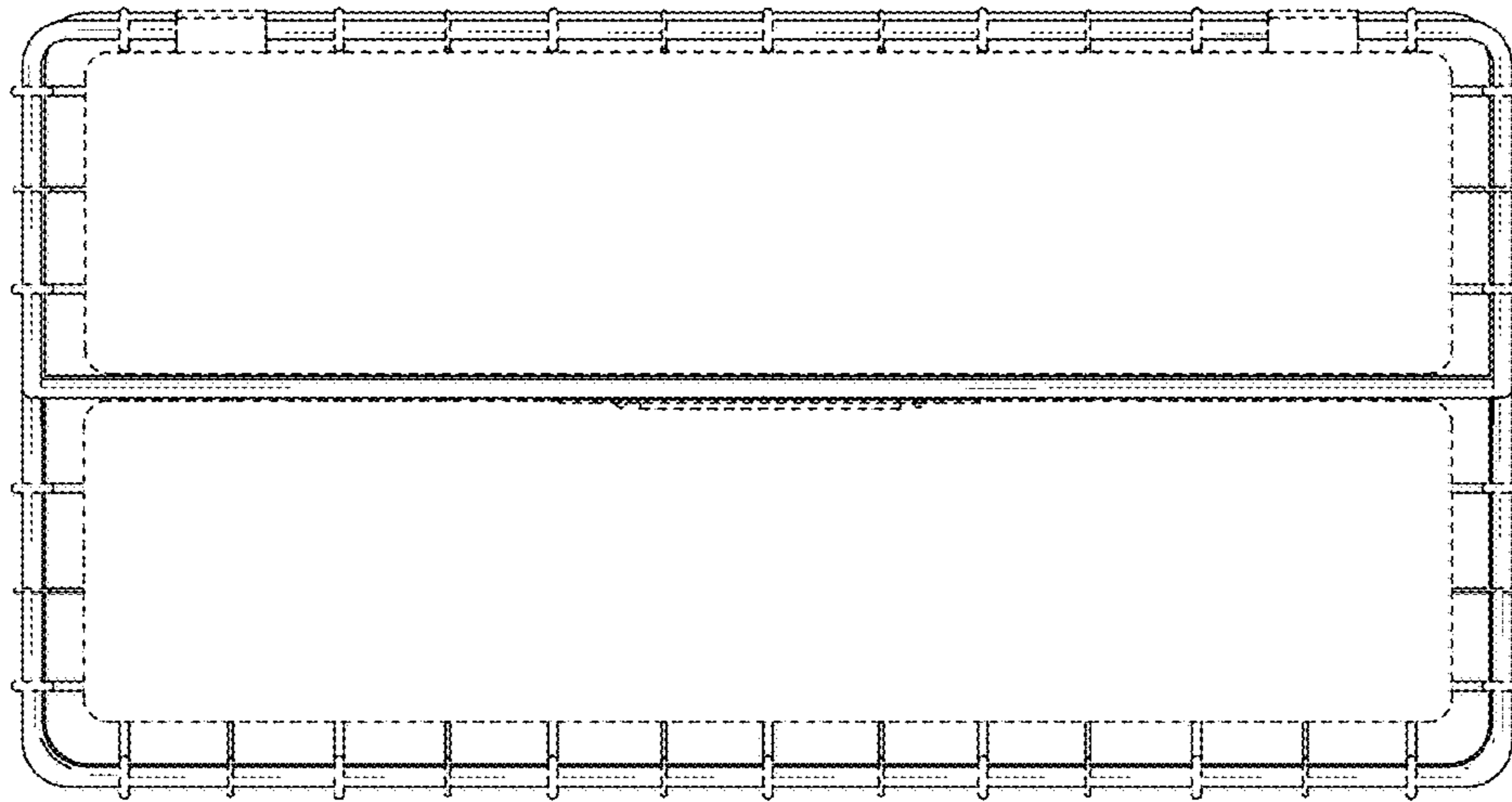


FIG. 4

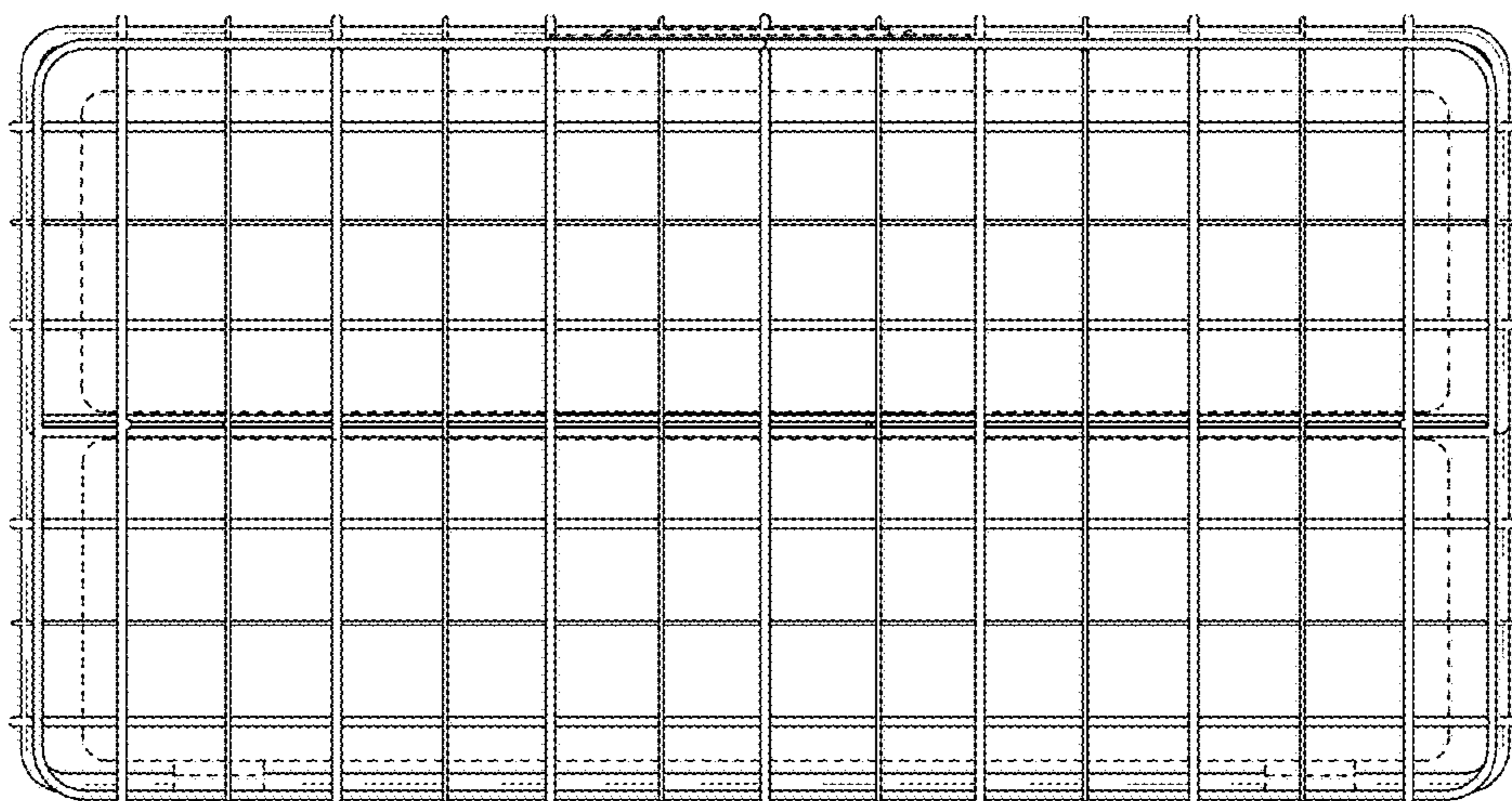


FIG. 5

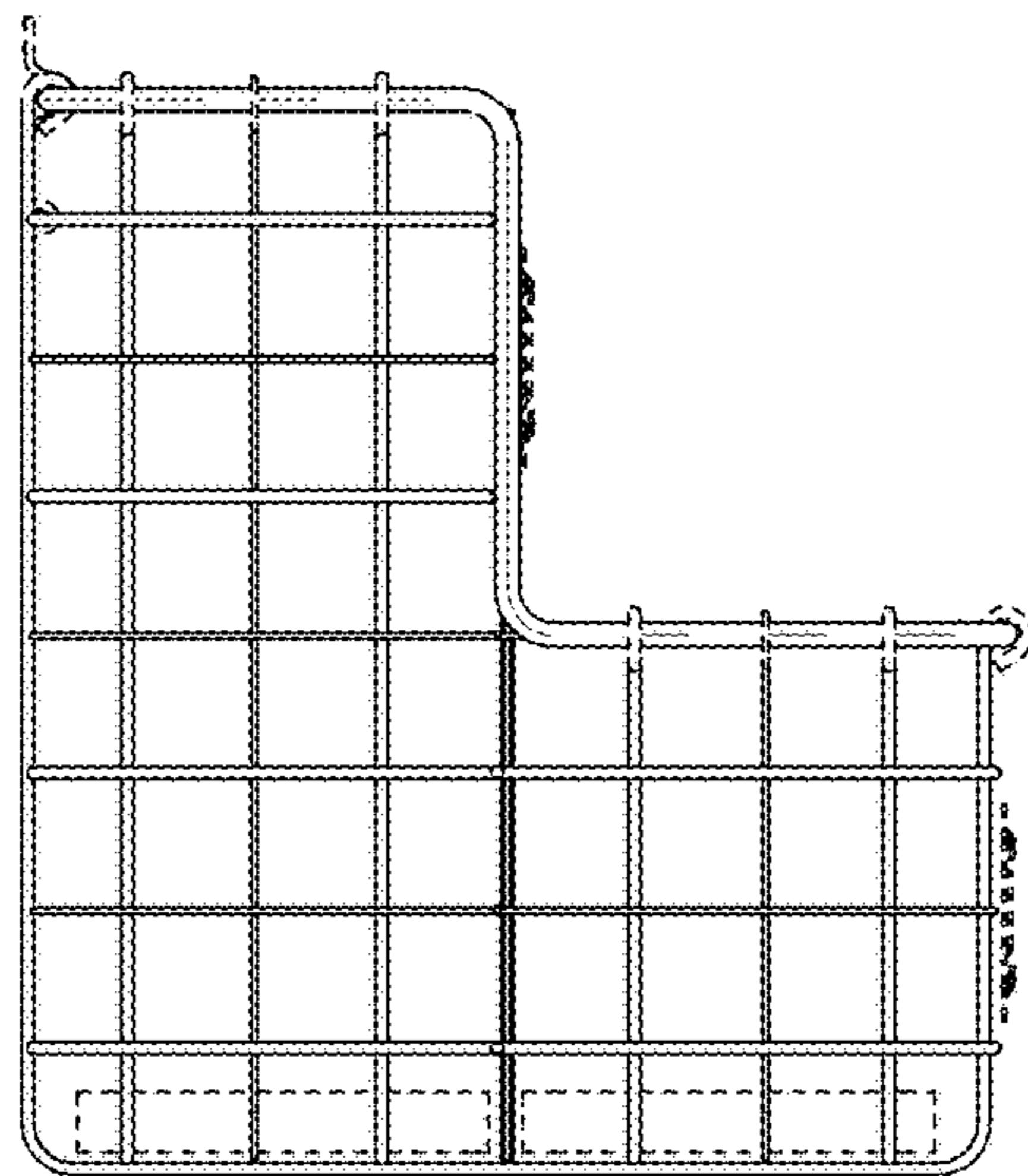


FIG. 6

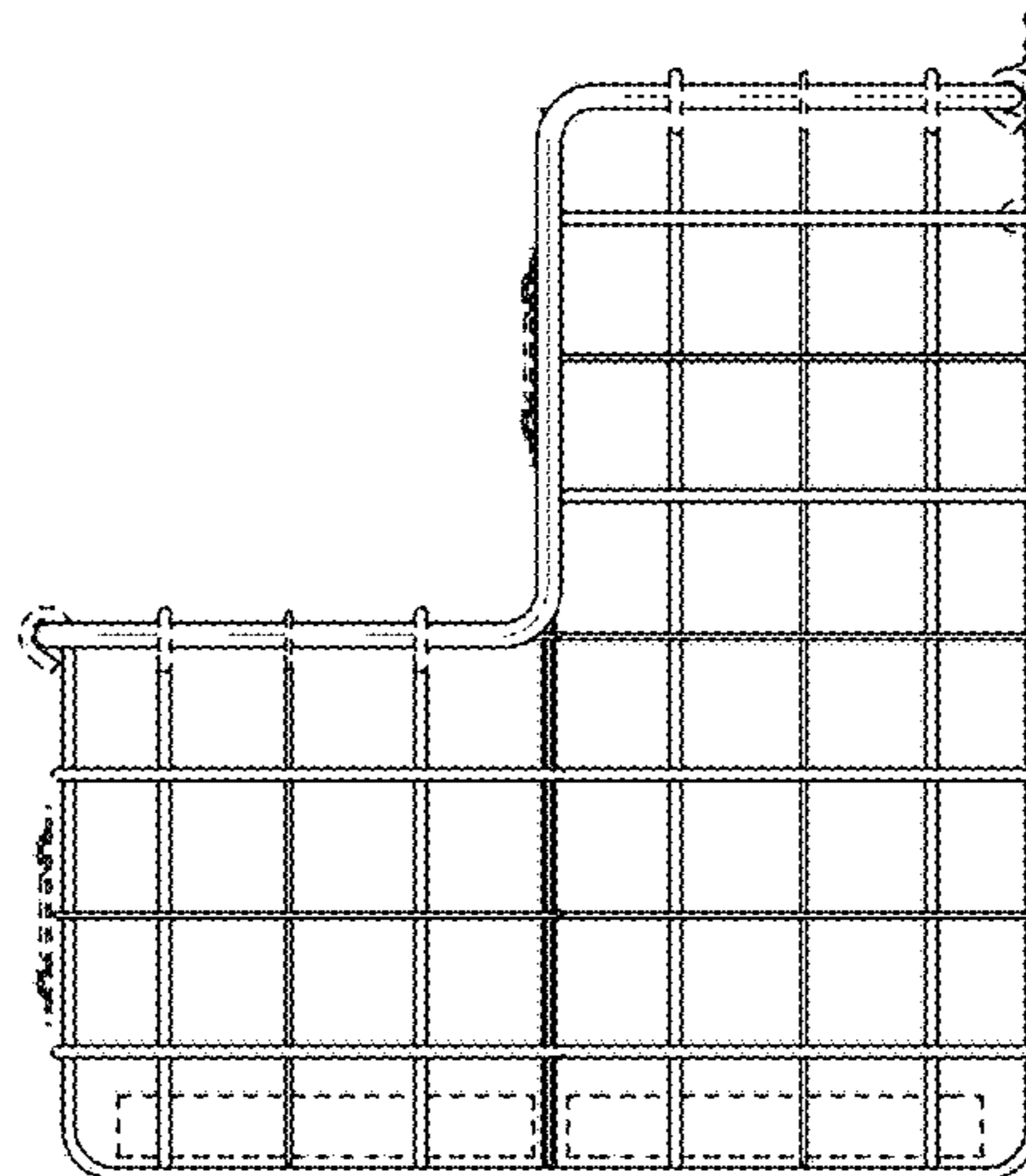


FIG. 7