



US00D846301S

(12) **United States Design Patent**
Garland

(10) **Patent No.:** **US D846,301 S**

(45) **Date of Patent:** **** Apr. 23, 2019**

- (54) **TOWEL BAR**
- (71) Applicant: **DELTA FAUCET COMPANY**,
Indianapolis, IN (US)
- (72) Inventor: **Celine Kwok Garland**, Zionsville, IN
(US)
- (73) Assignee: **DELTA FAUCET COMPANY**,
Indianapolis, IN (US)
- (**) Term: **15 Years**
- (21) Appl. No.: **29/634,247**
- (22) Filed: **Jan. 19, 2018**
- (51) **LOC (11) Cl.** **06-04**
- (52) **U.S. Cl.**
USPC **D6/549**
- (58) **Field of Classification Search**
USPC D6/546-550, 512-525; 211/13.1, 16,
211/85.5, 86.01, 87.01, 88.04, 100, 105.1,
211/105.2, 106, 113, 123, 181.1,
211/182-183; 248/49, 175, 176.1, 200,
248/201, 205.1, 251, 302, 309.1, 315;
242/570, 590, 595-598; D8/300,
D8/315-321, 354, 363, 373, 380;
108/28-29; D25/45
CPC A47K 10/3836; A47K 10/38
See application file for complete search history.

(56) **References Cited**

U.S. PATENT DOCUMENTS

D357,841 S	*	5/1995	Lehn	D6/549
D450,511 S	*	11/2001	Gottwald	D6/549
D452,792 S	*	1/2002	Gilbert	D6/549
D455,592 S	*	4/2002	Ou-Young	D6/549
D463,187 S	*	9/2002	Gilbert	D6/549
D463,935 S	*	10/2002	Zhao	D6/549
D466,346 S	*	12/2002	Moore	D6/549
D473,741 S	*	4/2003	Gilbert	D6/549

D477,739 S	*	7/2003	Gilbert	D6/549
D477,740 S	*	7/2003	Gilbert	D6/549
D478,446 S	*	8/2003	Solowiej	D6/549
D479,931 S	*	9/2003	Gilbert	D6/549
D503,061 S	*	3/2005	Fuchs	D6/549
D512,860 S	*	12/2005	Ferrer Beltran	D6/523
D516,349 S	*	3/2006	Ferrer Beltran	D6/549
D516,849 S	*	3/2006	Ferrer Beltran	D6/549
D516,850 S	*	3/2006	Shieh	D6/549
D540,588 S	*	4/2007	Hoernig	D6/523
D540,595 S	*	4/2007	Solowiej	D6/549
D599,590 S	*	9/2009	Hanes	D6/523
D600,961 S	*	9/2009	Krumpe	D6/549
D606,789 S	*	12/2009	Krumpe	D6/523
D607,678 S	*	1/2010	Yoo	D6/523
D672,178 S	*	12/2012	Walker	D6/549
D715,577 S	*	10/2014	Fritz	D6/549
2009/0308995 A1	*	12/2009	Kuo	A47K 10/10 248/231.91

* cited by examiner

Primary Examiner — David G Muller

Assistant Examiner — Nathan M Johnston

(74) *Attorney, Agent, or Firm* — Edgar A. Zarins; Nirav D. Parikh

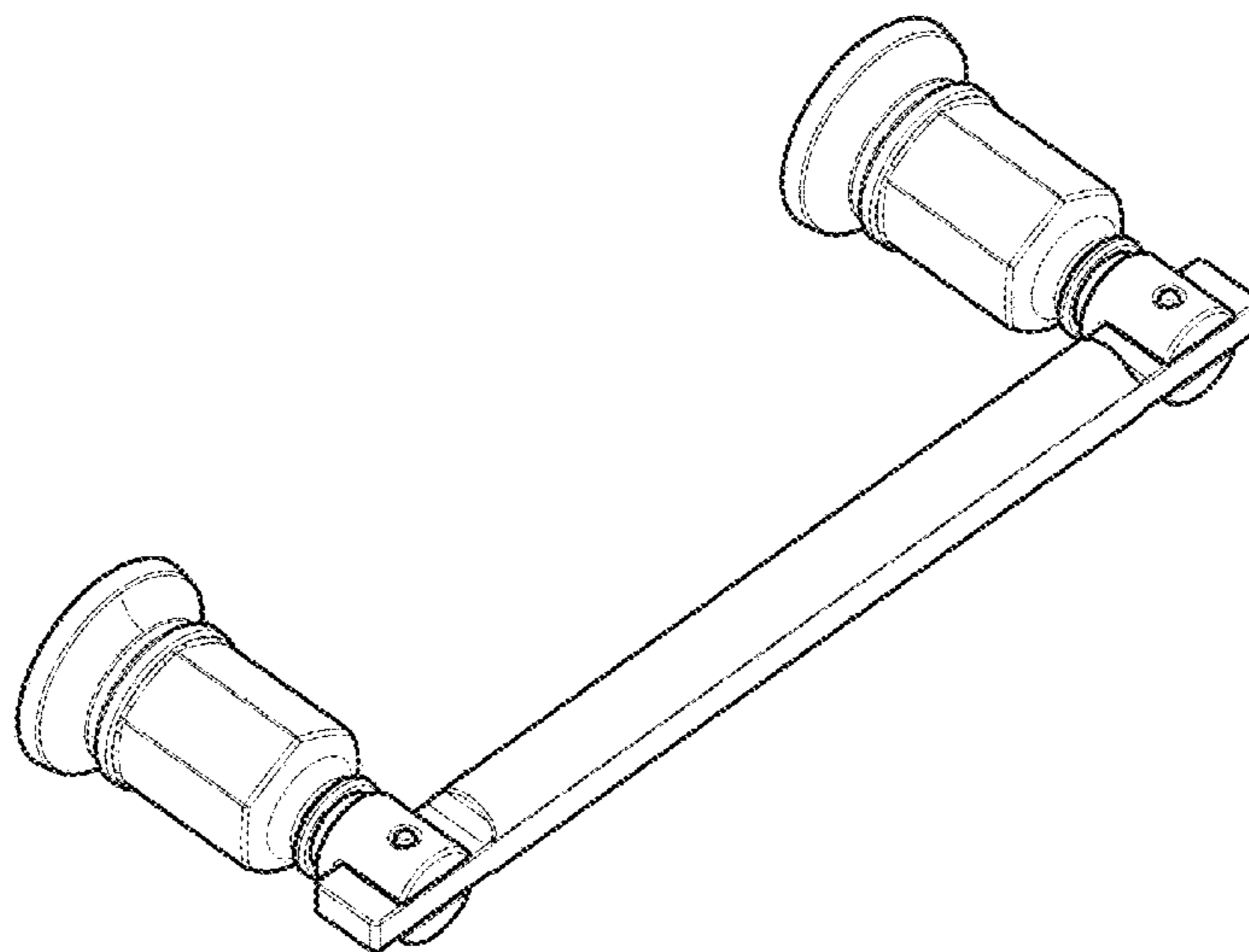
(57) **CLAIM**

The ornamental design for a towel bar, as shown and described.

DESCRIPTION

FIG. 1 is a front perspective view of a towel bar showing my new design;
 FIG. 2 is a rear perspective view thereof;
 FIG. 3 is a front elevational view thereof;
 FIG. 4 is a left side view thereof;
 FIG. 5 is a rear view thereof;
 FIG. 6 is a right side view thereof;
 FIG. 7 is a top plan view thereof; and,
 FIG. 8 is a bottom view thereof.

1 Claim, 4 Drawing Sheets



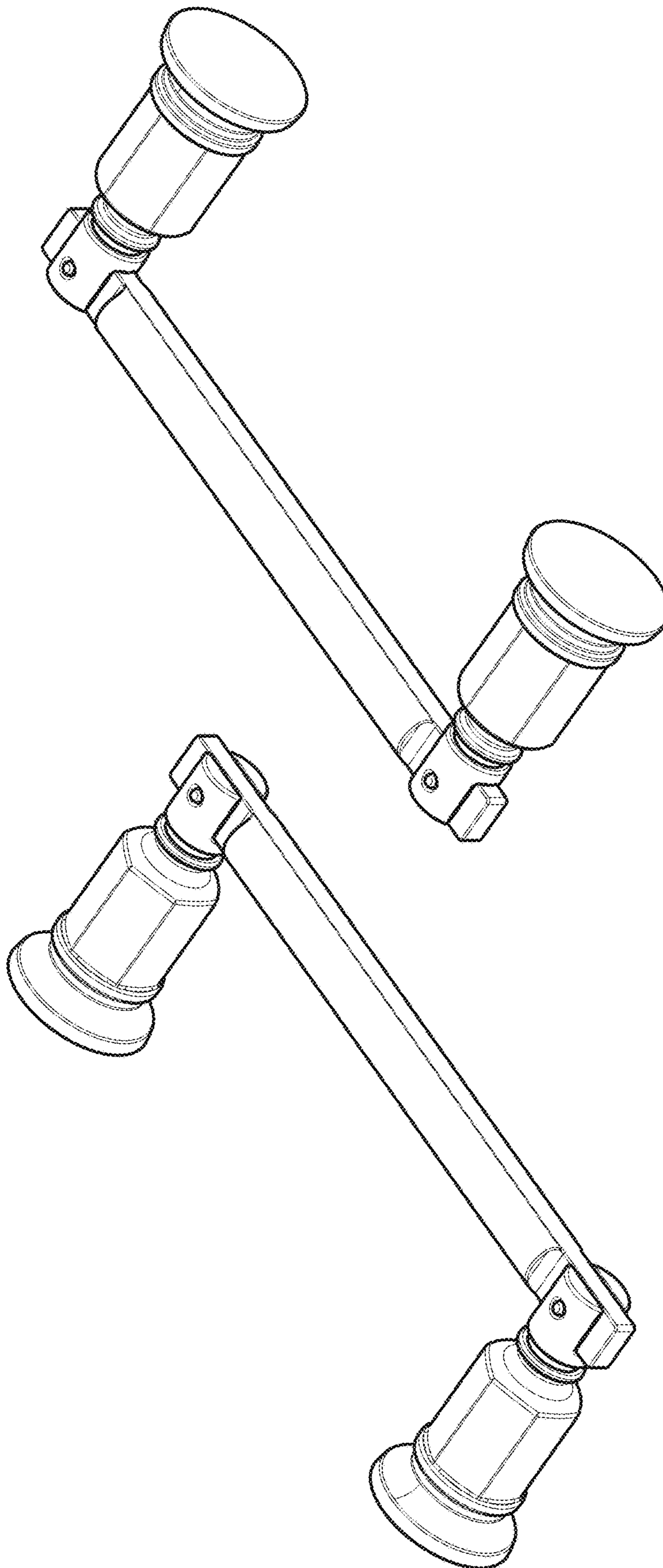


Fig. 2

Fig. 1

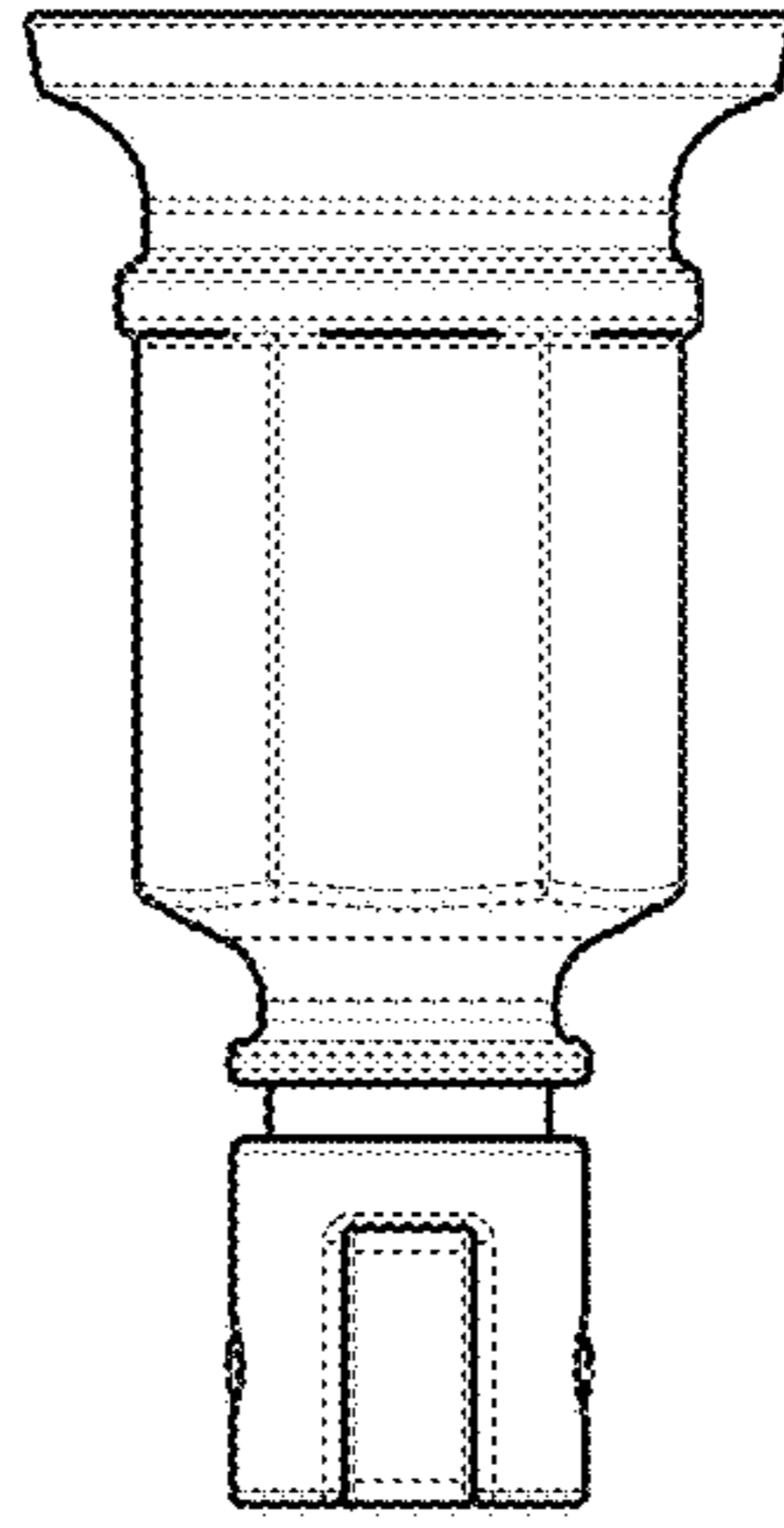


Fig. 4

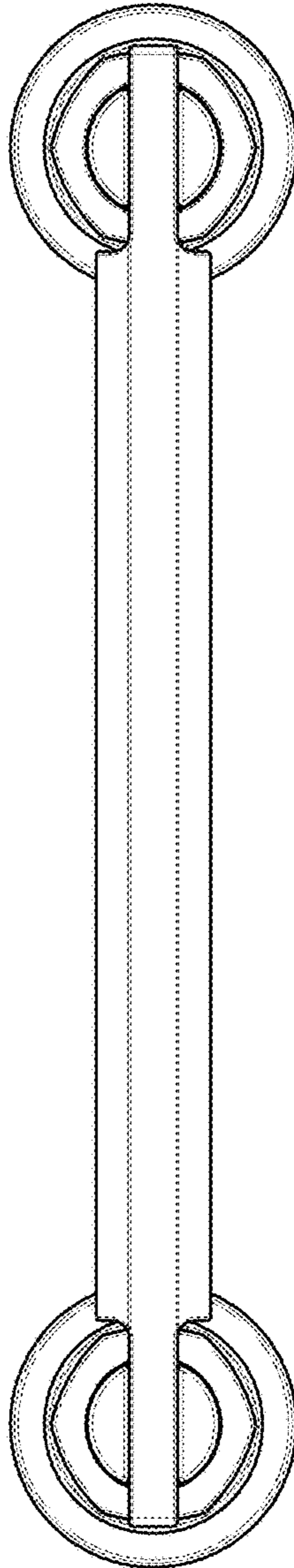


Fig. 3

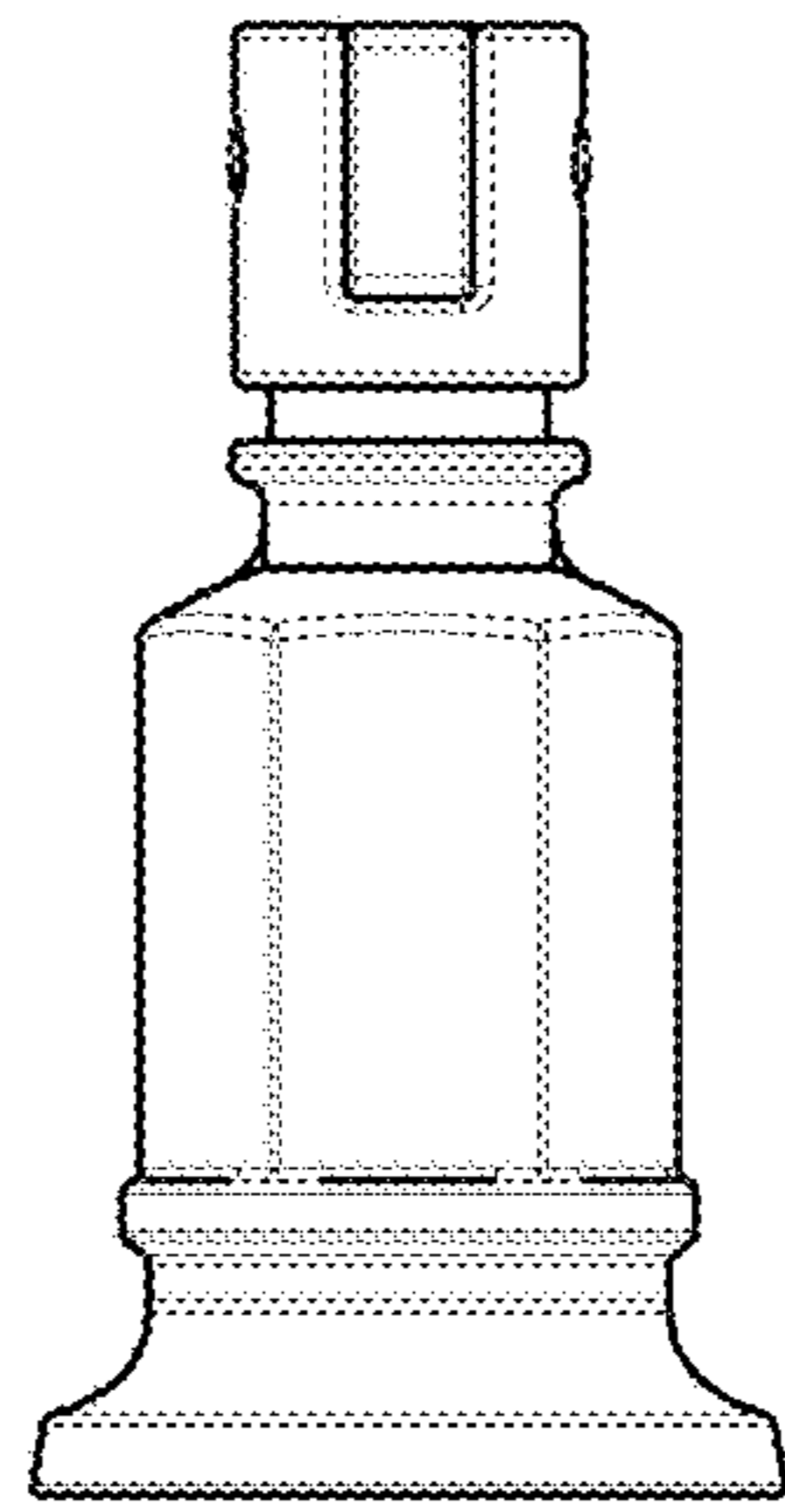


Fig. 6

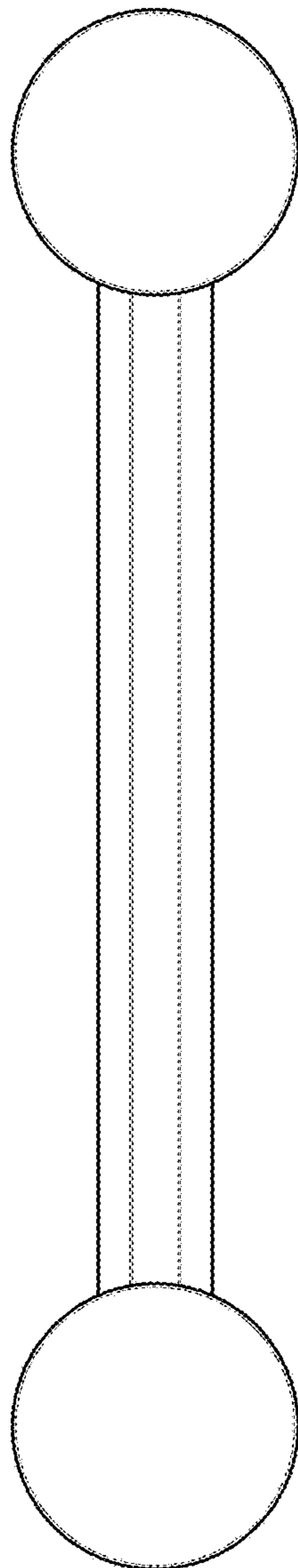


Fig. 5

Fig. 7

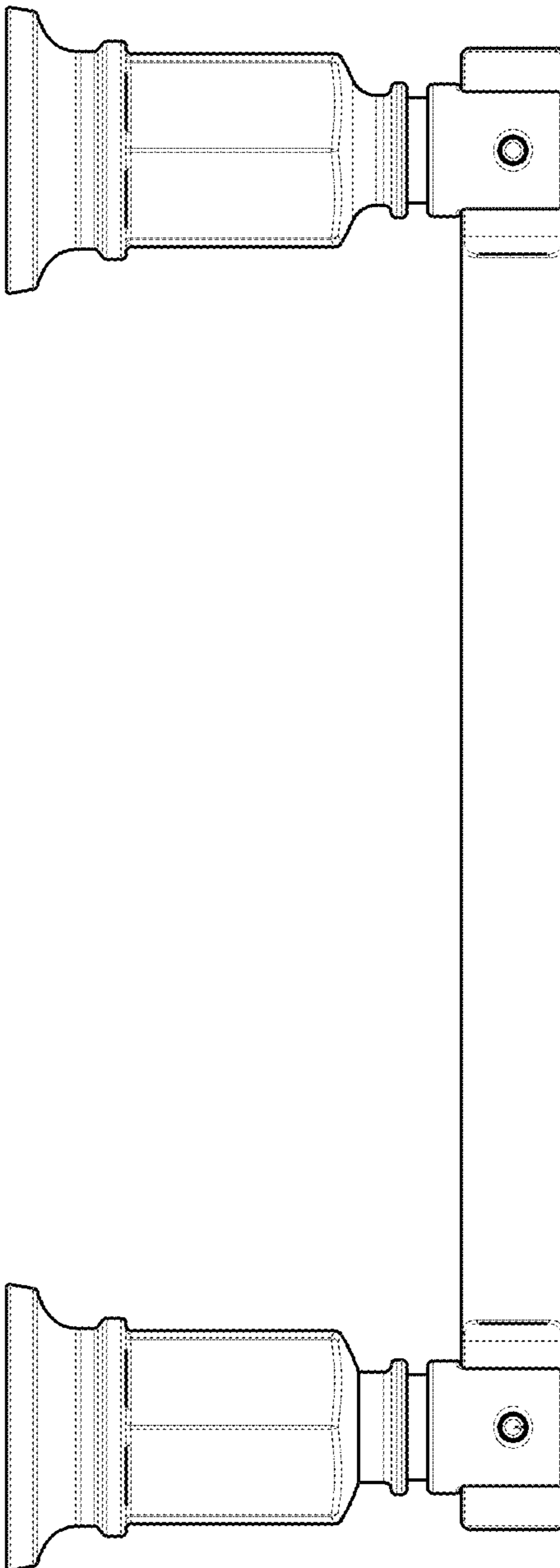
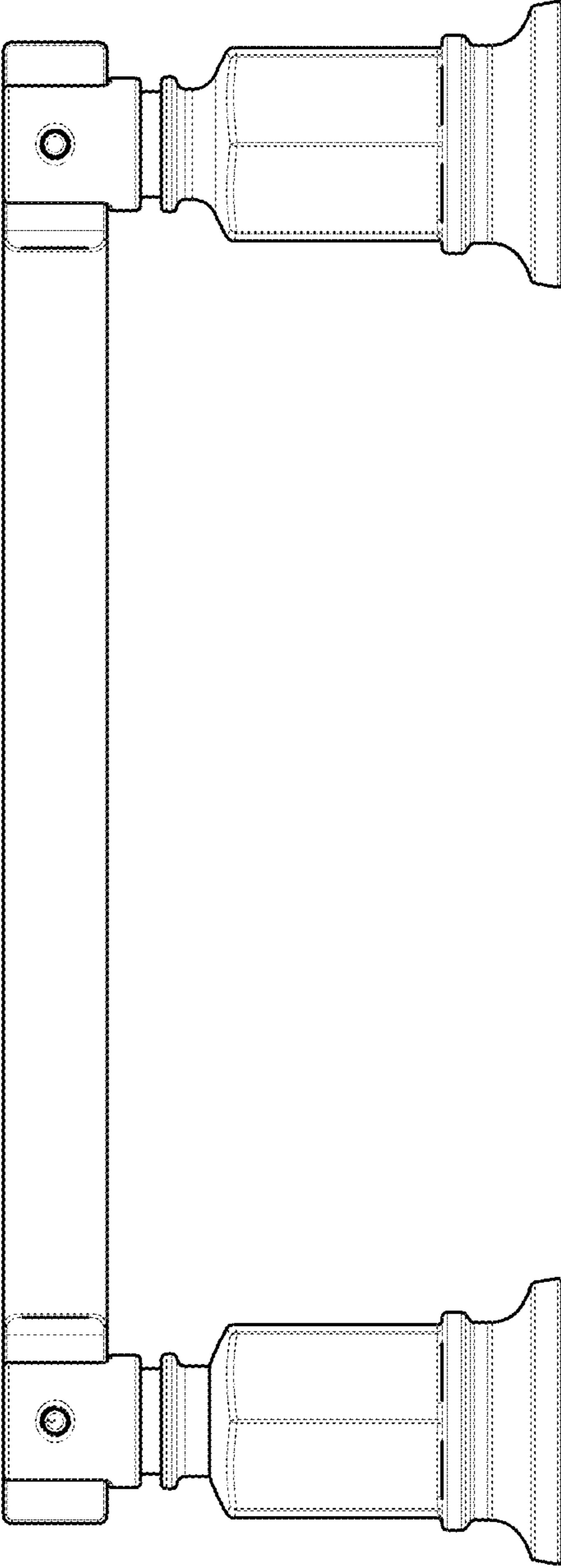


Fig. 8