

US00D846297S

(12) **United States Design Patent**
Chen

(10) **Patent No.:** **US D846,297 S**

(45) **Date of Patent:** **** Apr. 23, 2019**

- (54) **BARBEQUE MISTING CADDY**
- (71) Applicant: **Samuel Chen**, Hong Kong (CN)
- (72) Inventor: **Samuel Chen**, Hong Kong (CN)
- (**) Term: **15 Years**
- (21) Appl. No.: **29/594,894**
- (22) Filed: **Feb. 23, 2017**
- (51) **LOC (11) Cl.** **06-06**
- (52) **U.S. Cl.**
USPC **D6/512**
- (58) **Field of Classification Search**
USPC D7/600.1, 590, 592, 602, 637, 638;
D20/10; 40/661.2, 642.02; 211/13.1,
211/71.01, 150, 85.7, 195, 85.4, 85.12,
211/74, 126.1, 88, 133.1; 62/457.7,
62/457.1, 463; D34/20, 12, 19; D6/512,
D6/513, 514, 524, 574, 657, 663, 525,
D6/527; 108/26; D3/308, 315
CPC A47F 7/00; A47B 87/00; A47B 45/00;
A47B 96/00; A47B 96/14
See application file for complete search history.

- 6,796,319 B1 * 9/2004 Patarra A45B 11/00
108/138
- 7,284,393 B1 * 10/2007 Macmillan B62B 1/22
62/331
- 8,181,797 B2 * 5/2012 Edwards A47B 43/00
211/195
- 8,292,379 B2 * 10/2012 Hernandez A47B 46/00
312/249.12

* cited by examiner

Primary Examiner — Abraham Bahta

(74) *Attorney, Agent, or Firm* — Clement Cheng

(57) **CLAIM**

The ornamental design for a barbeque misting caddy, as shown and described.

DESCRIPTION

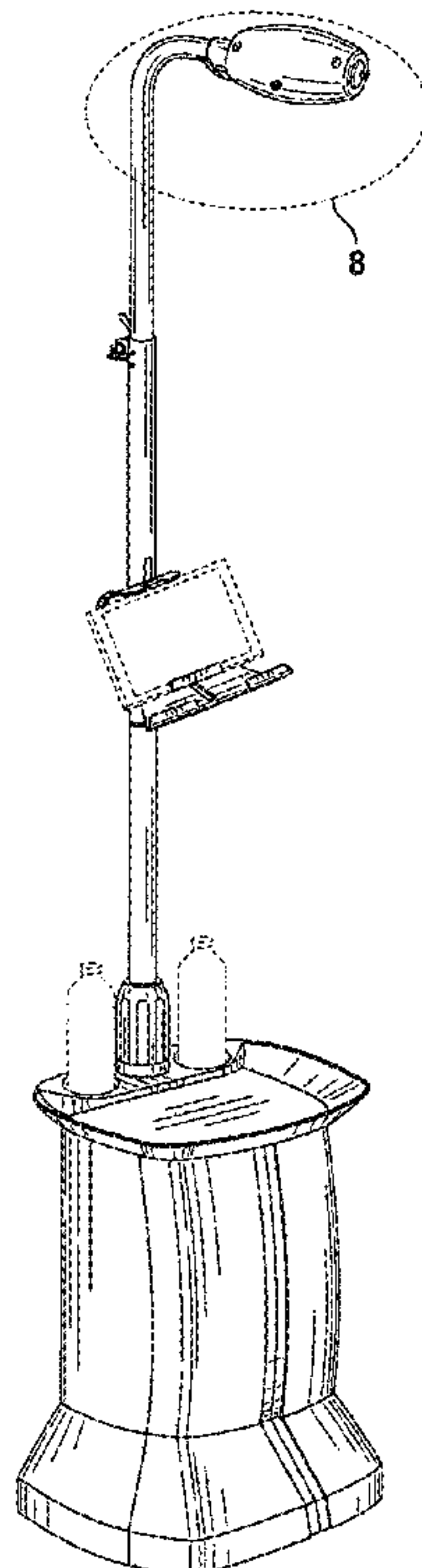
FIG. 1 is perspective view of a barbeque misting caddy showing my new design;
 FIG. 2 is a front view thereof;
 FIG. 3 is a rear view thereof;
 FIG. 4 is a left side view thereof;
 FIG. 5 is a right side view thereof;
 FIG. 6 is a top view thereof;
 FIG. 7 is a bottom view thereof; and,
 FIG. 8 is an enlarged view of the portion shown by the encircled broken line in FIG. 1.
 The broken line showing of portions of the barbeque misting caddy is included for the purpose of illustrating environmental structure and forms no part of the claimed design.

(56) **References Cited**

U.S. PATENT DOCUMENTS

- D406,431 S * 3/1999 Tisbo D34/20
- 6,792,935 B2 * 9/2004 Williams A47J 37/0763
126/25 R

1 Claim, 7 Drawing Sheets



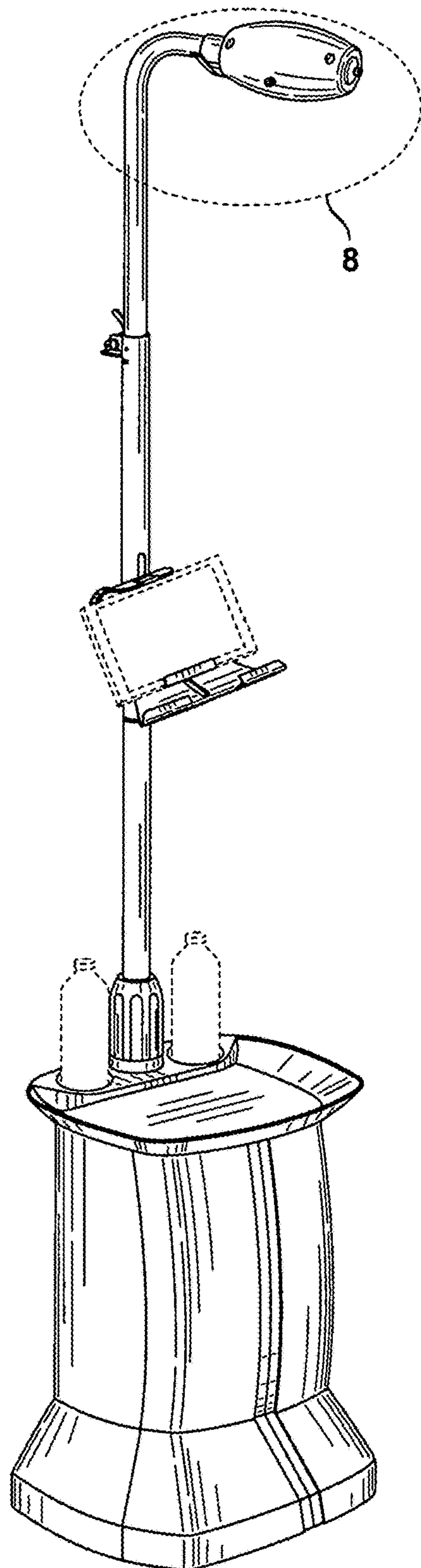


FIG. 1

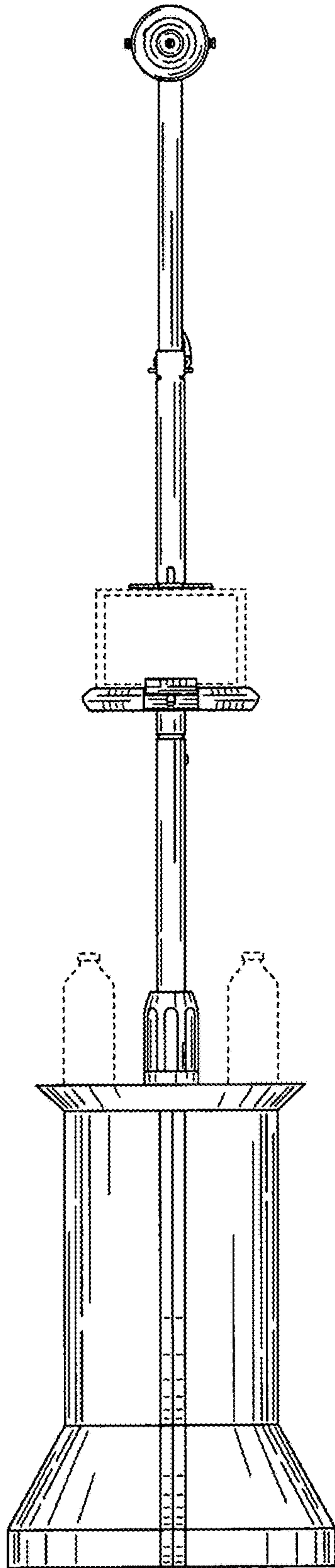


FIG. 2

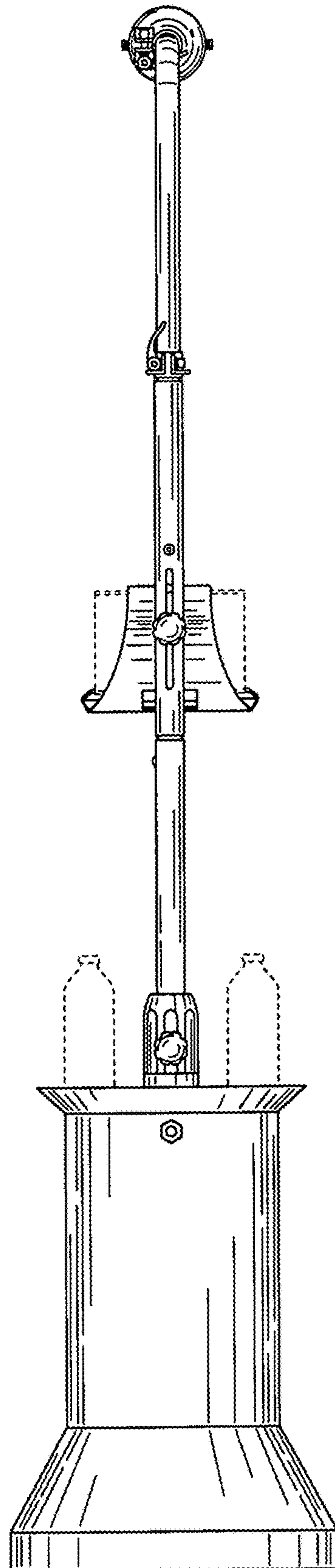


FIG. 3

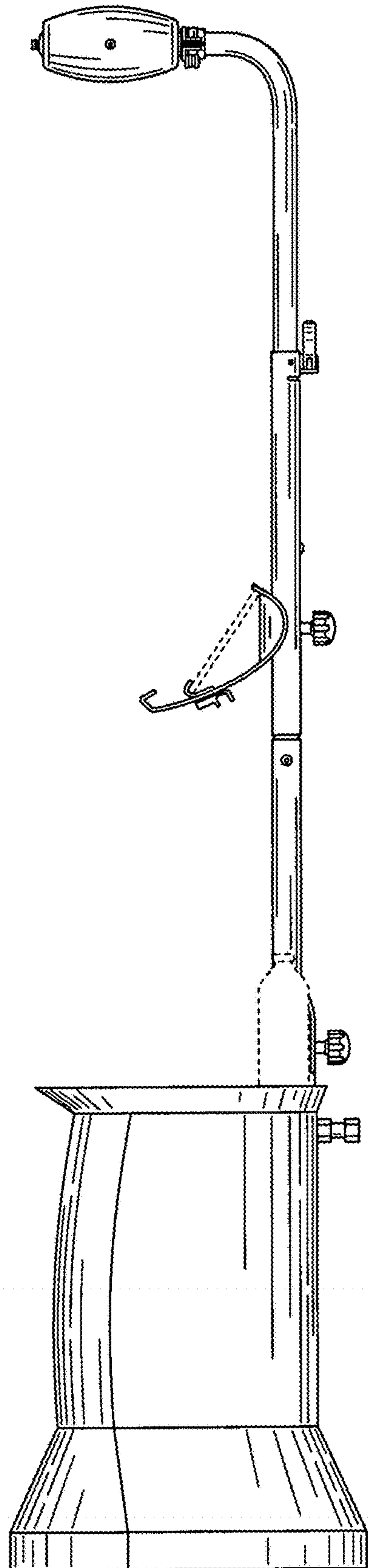


FIG. 4

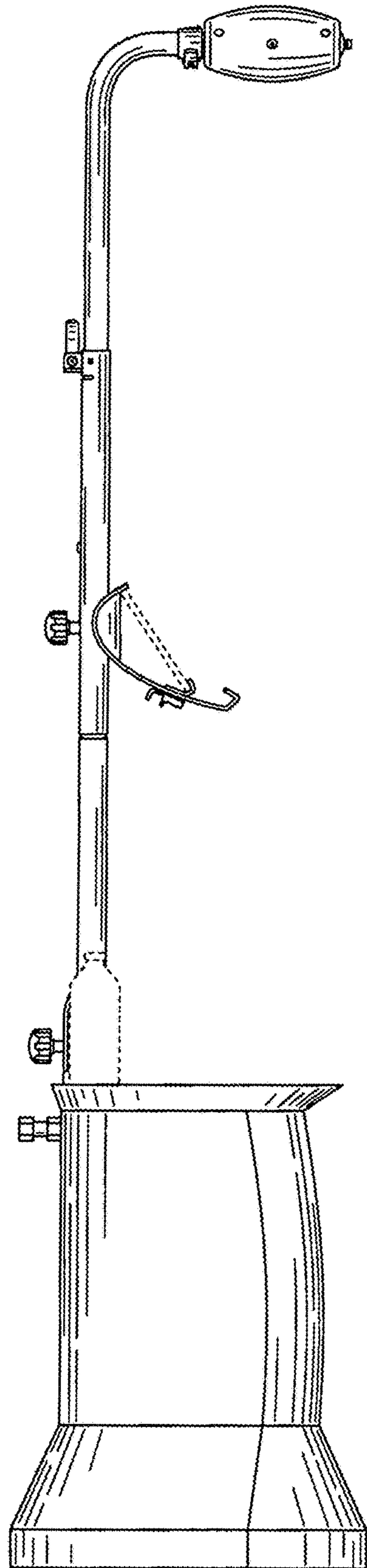


FIG. 5

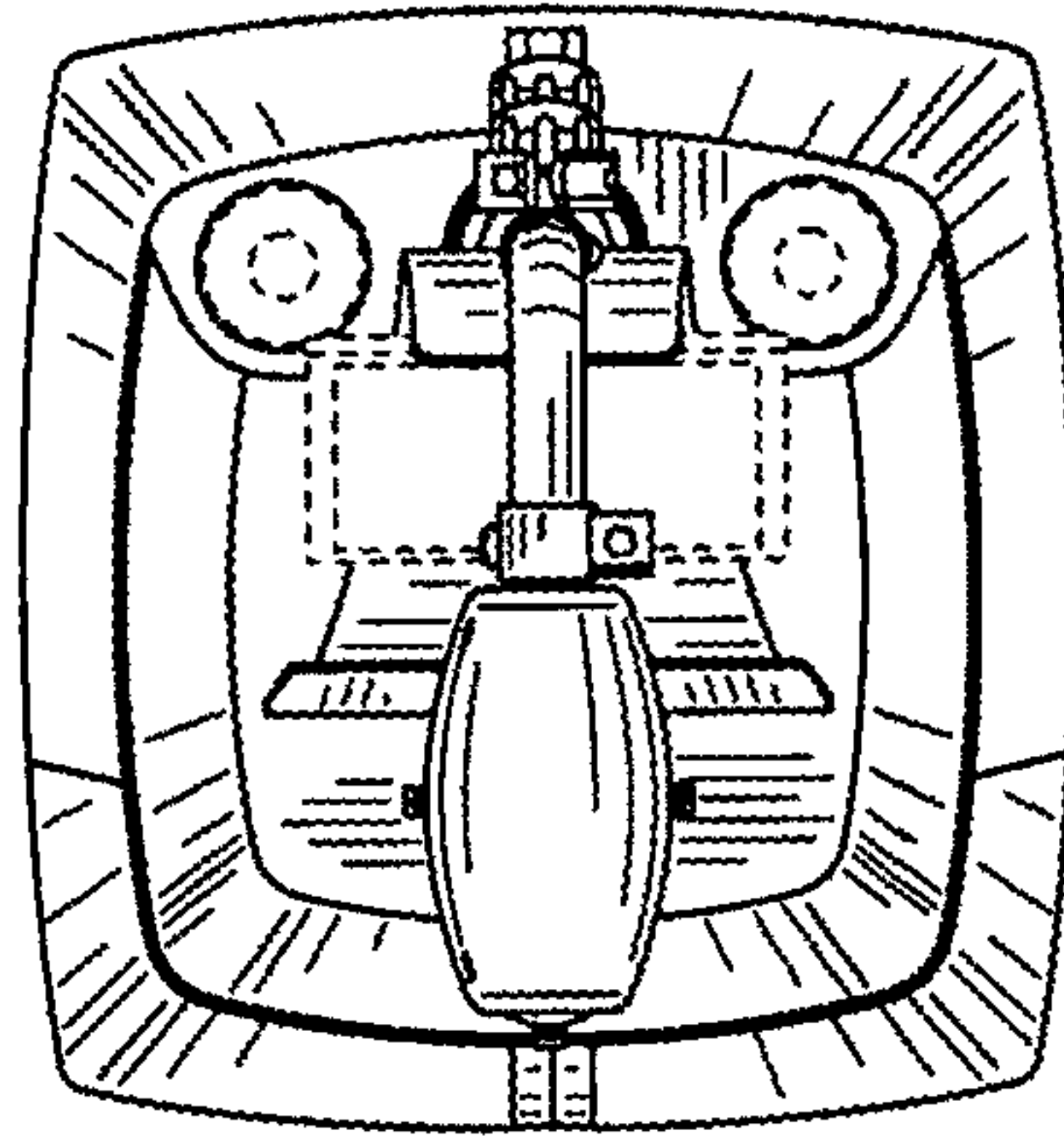


FIG. 6

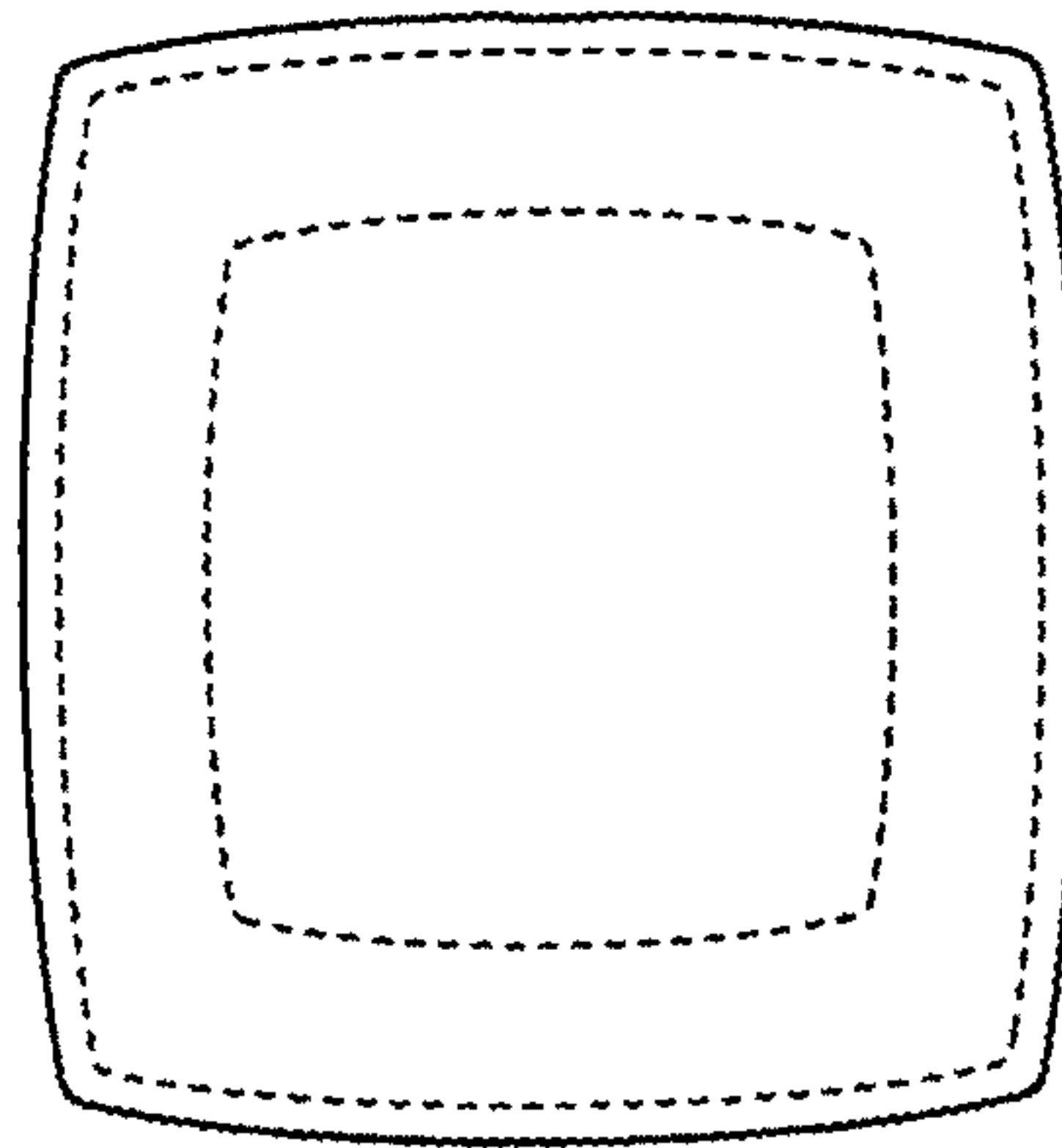


FIG. 7

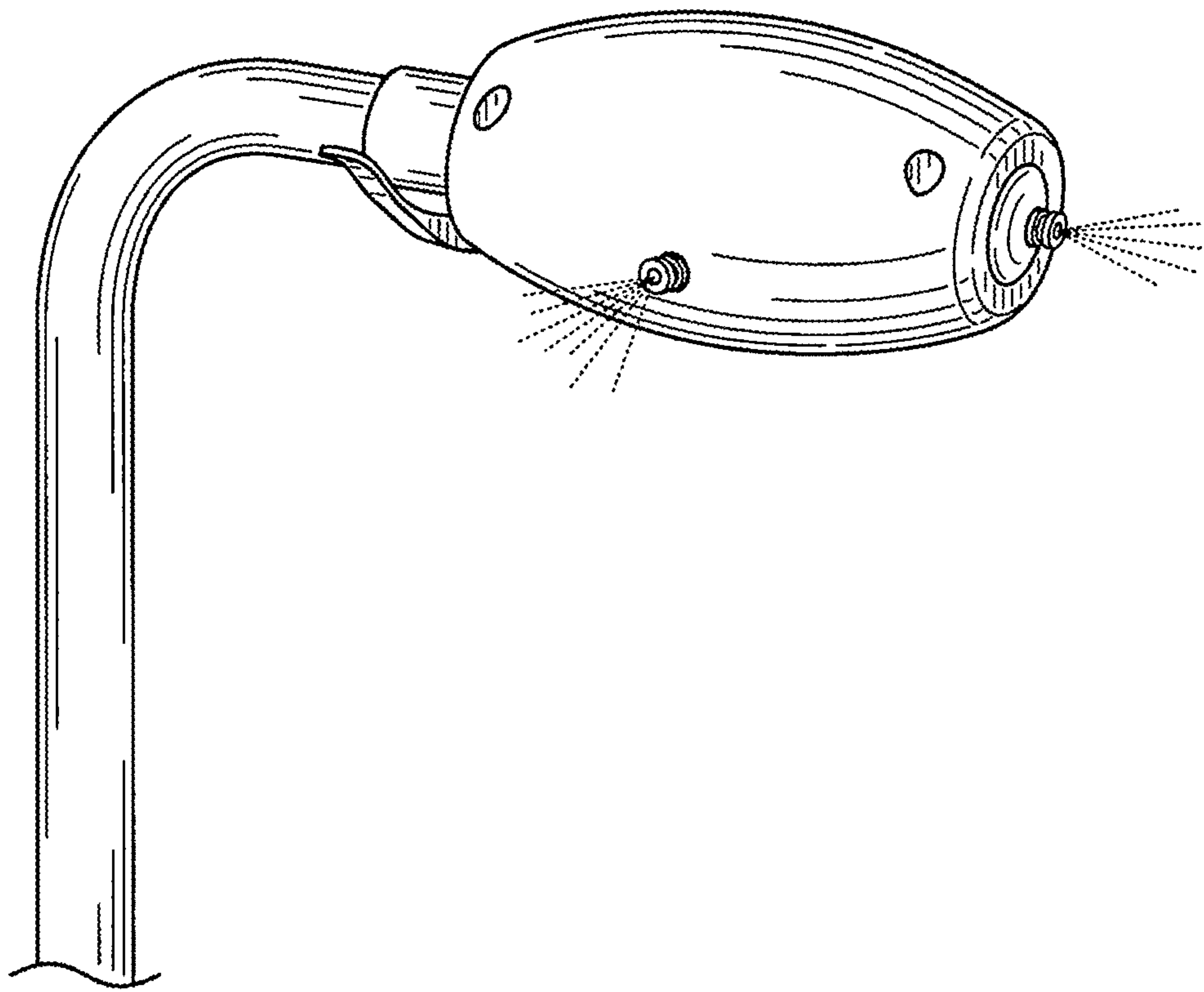


FIG. 8