



US00D846296S

(12) **United States Design Patent** (10) **Patent No.:** **US D846,296 S**  
**Smith et al.** (45) **Date of Patent:** **\*\* Apr. 23, 2019**

(54) **CONTOURED SEATING ASSEMBLY**  
(71) Applicant: **Steelcase Inc.**, Grand Rapids, MI (US)  
(72) Inventors: **Bruce Smith**, East Grand Rapids, MI (US); **William Bennie**, Rockford, MI (US); **Yuka Hiyoshi**, Grand Rapids, MI (US); **Irfan Kachwalla**, Hong Kong Island (HK); **James Ludwig**, Grand Rapids, MI (US); **Jessica Nebel**, Munich (DE); **Santiago Carral O’Gorman**, Grand Rapids, MI (US); **Madison Scheper**, Grand Rapids, MI (US)  
(73) Assignee: **Steelcase Inc.**, Grand Rapids, MI (US)  
(\*\*) Term: **15 Years**  
(21) Appl. No.: **29/645,893**  
(22) Filed: **Apr. 30, 2018**

(56) **References Cited**  
U.S. PATENT DOCUMENTS  
61,610 A 1/1867 Cutter  
39,265 A 4/1908 Holtzclaw  
D39,265 S \* 4/1908 Holtzclaw ..... 297/244  
936,451 A 10/1909 Havenhill  
D67,896 S \* 7/1925 Larsen ..... D6/349  
D99,959 S 6/1936 Nathan  
D150,721 S \* 8/1948 Modarelli ..... D6/357  
D203,817 S \* 2/1966 Burke ..... 297/244  
3,498,654 A 3/1970 Diaz et al.  
D252,484 S 7/1979 Petersilie  
D273,158 S \* 3/1984 Dubbin ..... D6/381  
D284,046 S 6/1986 Staats et al.  
D289,950 S 5/1987 Offredi  
D293,637 S 1/1988 Tallon  
D297,449 S \* 8/1988 Vigil ..... D21/830  
D309,682 S \* 8/1990 Fisher ..... D6/357  
D332,818 S \* 1/1993 Spirk, Jr. .... D21/601  
D352,186 S 11/1994 Torck et al.  
D368,174 S 3/1996 Lewis  
D376,274 S 12/1996 Lewis  
D382,129 S 8/1997 Lewis  
D387,573 S 12/1997 Lewis  
D427,799 S \* 7/2000 Vu ..... D6/357  
D431,381 S 10/2000 Gomez  
D439,071 S 3/2001 D’Urso et al.

(Continued)

**Related U.S. Application Data**

(63) Continuation of application No. 29/567,492, filed on Jun. 9, 2016, now Pat. No. Des. 818,735.  
(51) **LOC (11) Cl.** ..... **06-01**  
(52) **U.S. Cl.**  
USPC ..... **D6/381**; D6/375; D6/716; D6/361  
(58) **Field of Classification Search**  
USPC ..... D6/334, 335, 349–350, 356, 361, D6/364–368, 370–375, 379, 380, 381, D6/384, 716, 716.1, 716.2, 716.7  
CPC .... A47C 7/02; A47C 7/44; A47C 7/46; A47C 7/48; A47C 7/54; A47C 7/386; A47C 7/462; A47C 1/10; A47C 1/031; A47C 4/54; A47C 7/021; A47C 7/425; A47C 15/006

See application file for complete search history.

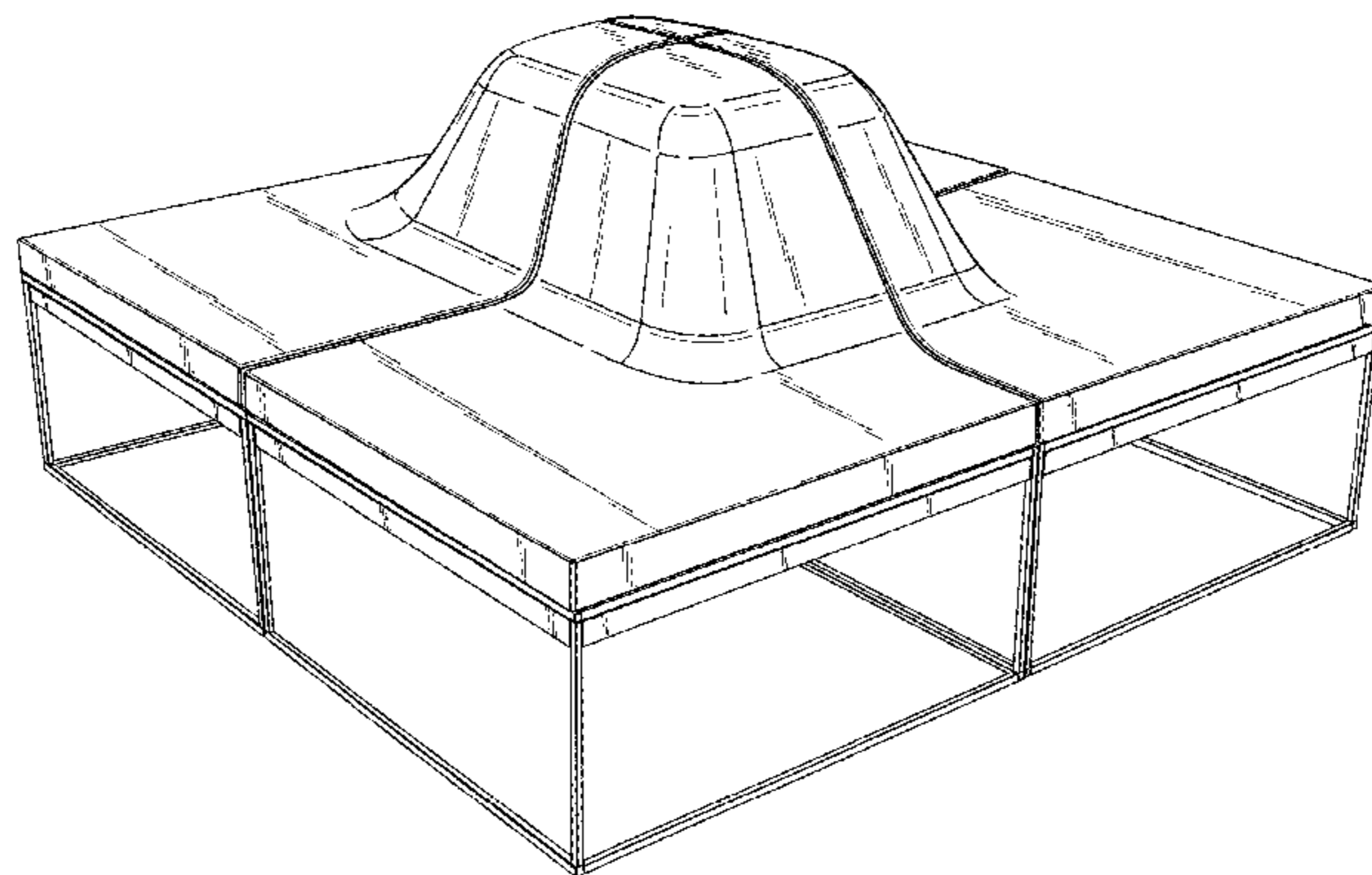
*Primary Examiner* — Robin V Webster  
*Assistant Examiner* — Keith J Wilson  
(74) *Attorney, Agent, or Firm* — Brinks Gilson & Lione

(57) **CLAIM**  
We claim the ornamental design for a contoured seating assembly, as shown and described.

**DESCRIPTION**

FIG. 1 is a top perspective view of a contoured seating assembly of the present invention;  
FIG. 2 is a top plan view thereof;  
FIG. 3 is a rear elevation view thereof;  
FIG. 4 is a left side elevation view thereof  
FIG. 5 is a front elevation view thereof; and,  
FIG. 6 is a right side elevation view thereof.

**1 Claim, 4 Drawing Sheets**



(56)

**References Cited**

## U.S. PATENT DOCUMENTS

D448,946 S	10/2001	Goetz	
D484,324 S *	12/2003	Olofson .....	D6/358
D484,712 S	1/2004	Gomez	
D484,713 S	1/2004	Gomez	
D515,837 S	2/2006	Nicoletti	
D519,743 S	5/2006	Suzuki et al.	
D532,209 S *	11/2006	Rodis .....	D6/335
D548,985 S *	8/2007	Zakas .....	D6/335
D561,909 S *	2/2008	Maguire .....	D25/2
D563,112 S *	3/2008	Swanson .....	D6/381
D567,527 S	4/2008	Galardo	
D576,820 S	9/2008	Priestman	
D577,924 S	10/2008	van Lerssel et al.	
D577,926 S	10/2008	Marin et al.	
D583,578 S *	12/2008	Swanson .....	D6/355
D589,714 S	4/2009	Cazares et al.	
D602,705 S	10/2009	Holbrook	
D643,643 S	8/2011	Lievore	
D681,361 S	5/2013	Silver et al.	
D682,575 S	5/2013	Versace	
D695,035 S	12/2013	Ciani et al.	
D698,172 S	1/2014	Ciani et al.	
D712,173 S	9/2014	Ciani et al.	
D712,674 S	9/2014	Ciani et al.	
D722,443 S *	2/2015	Baraldi .....	D6/335
D743,726 S	11/2015	Yeh	

\* cited by examiner

Fig. 1

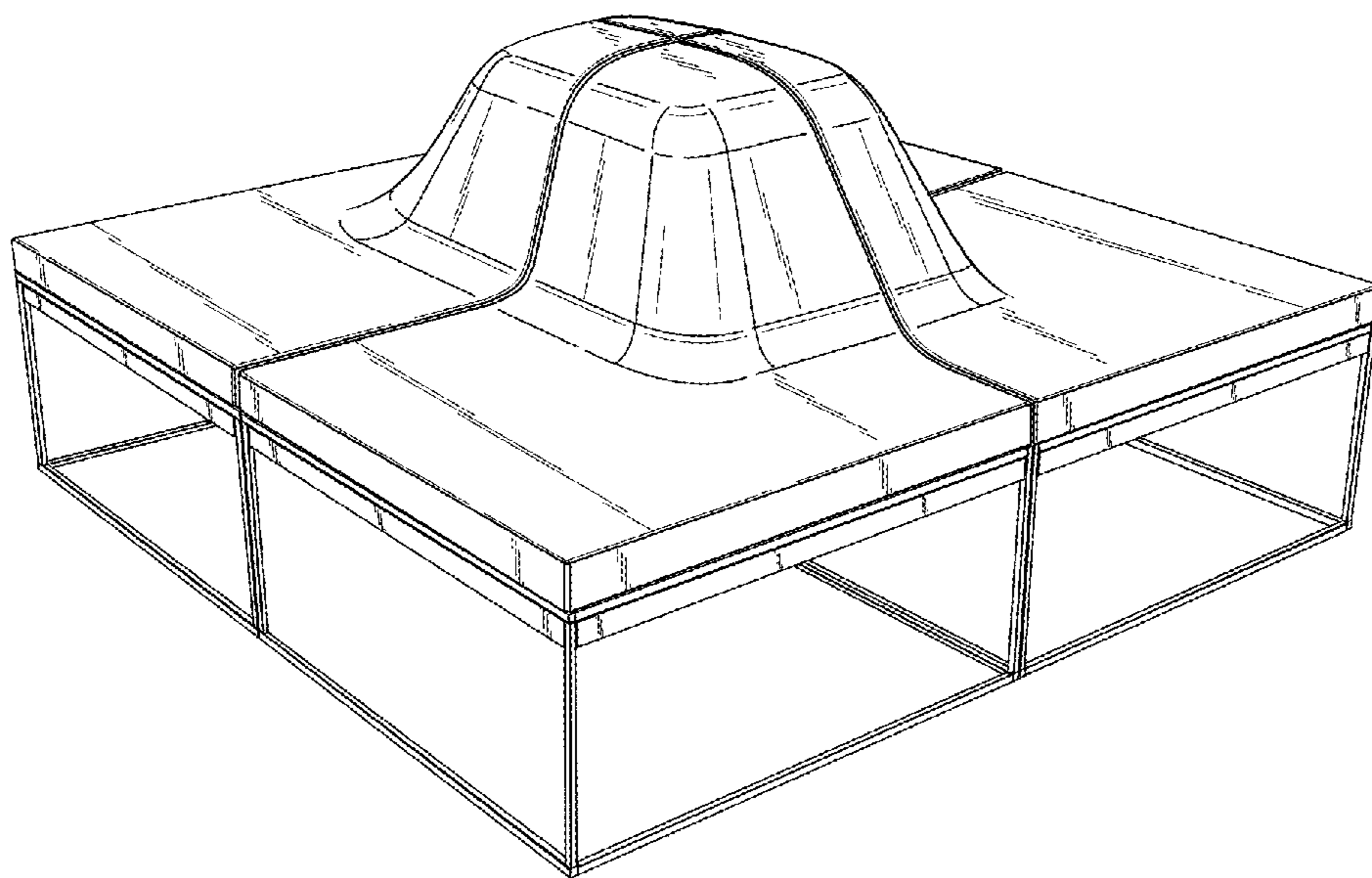


Fig. 2

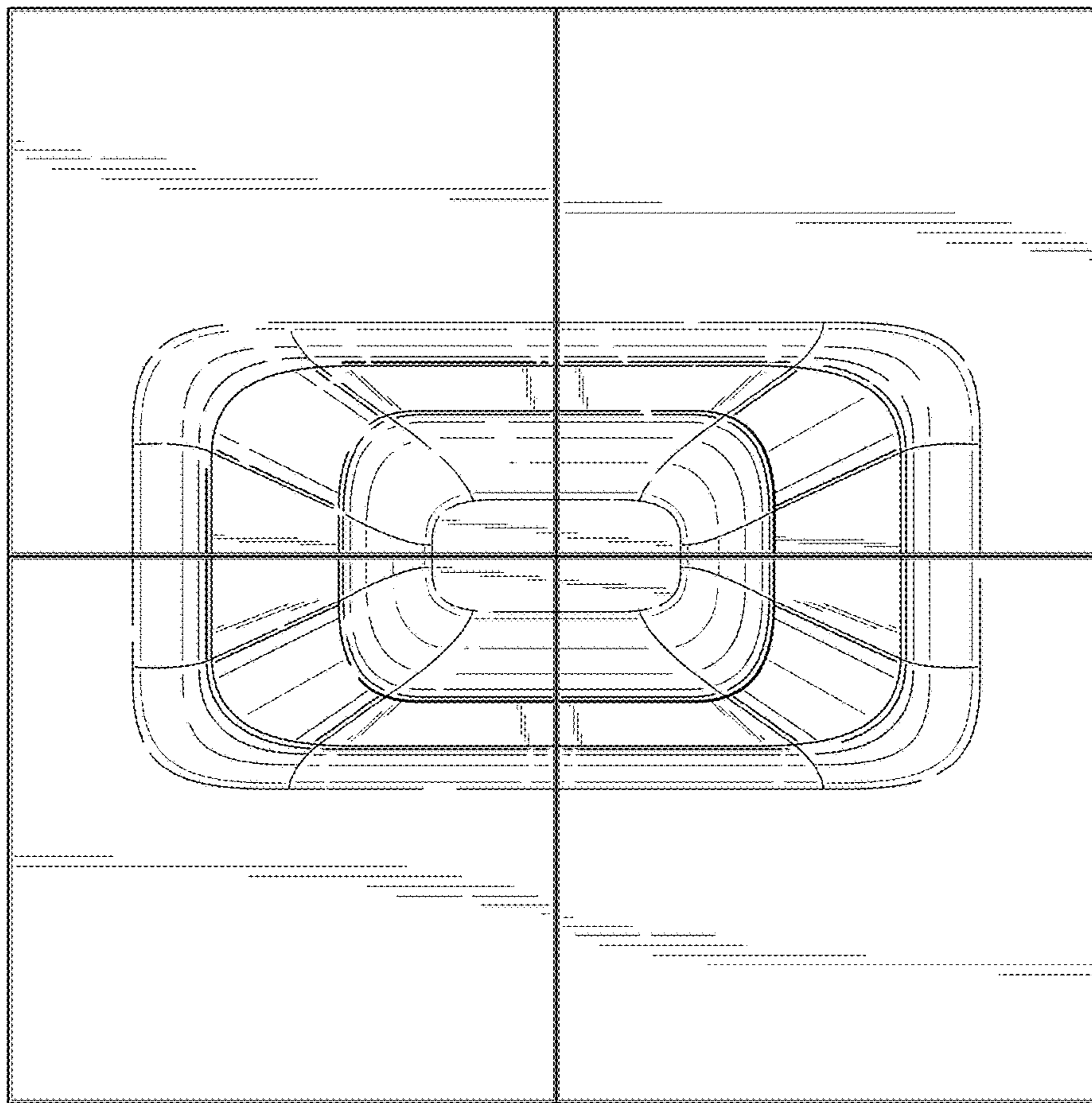


Fig. 3

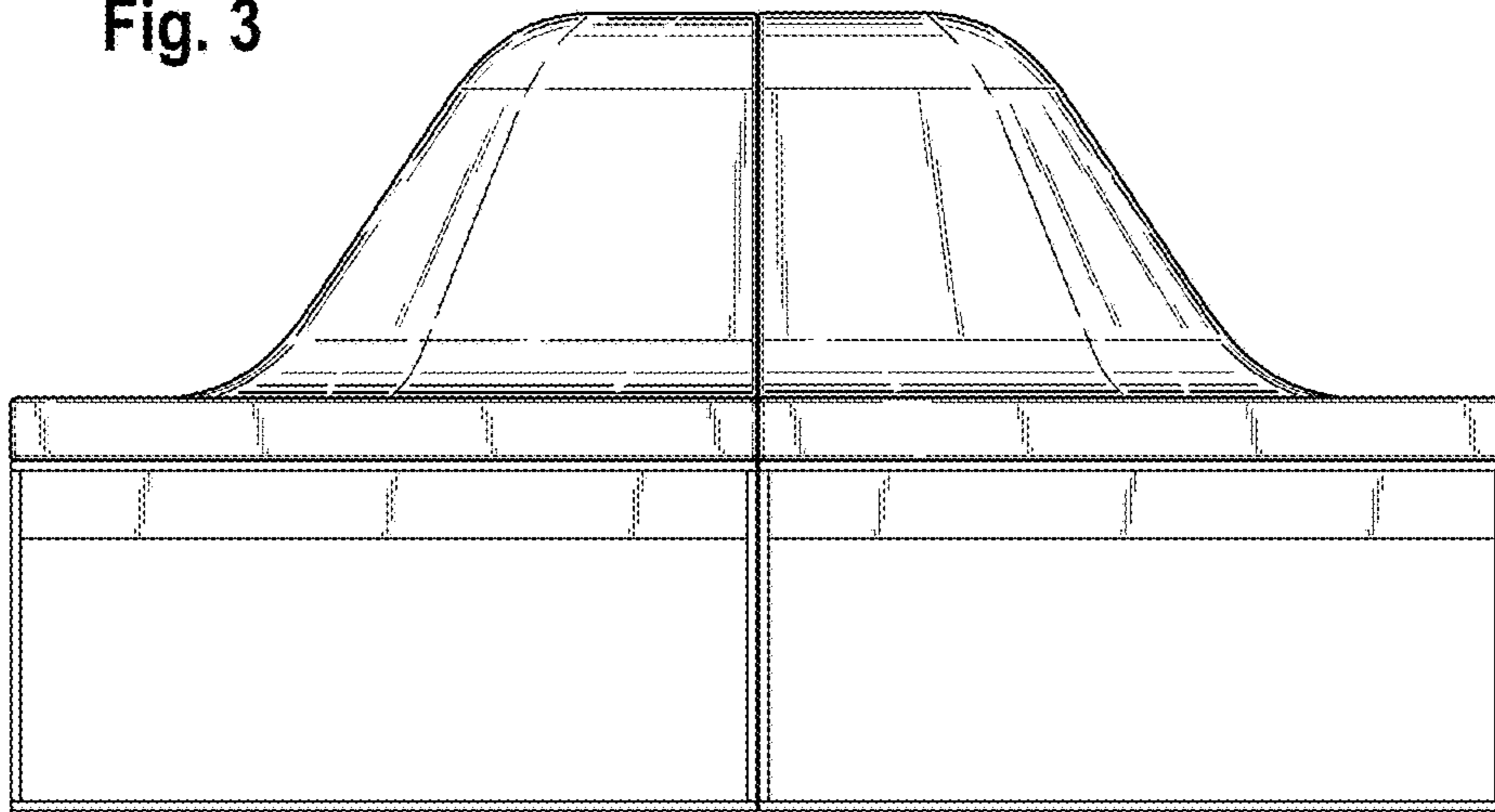


Fig. 4

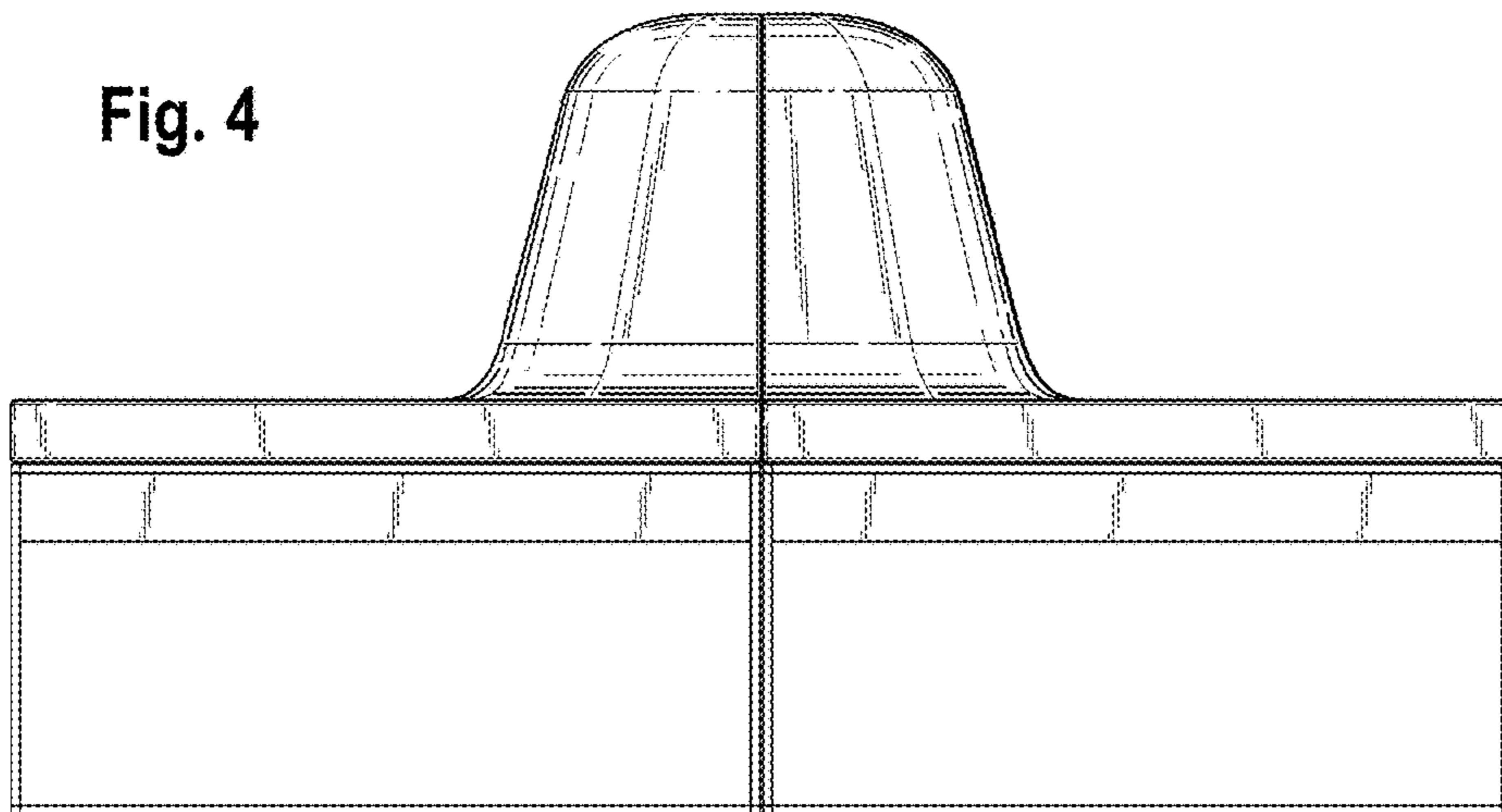


Fig. 5

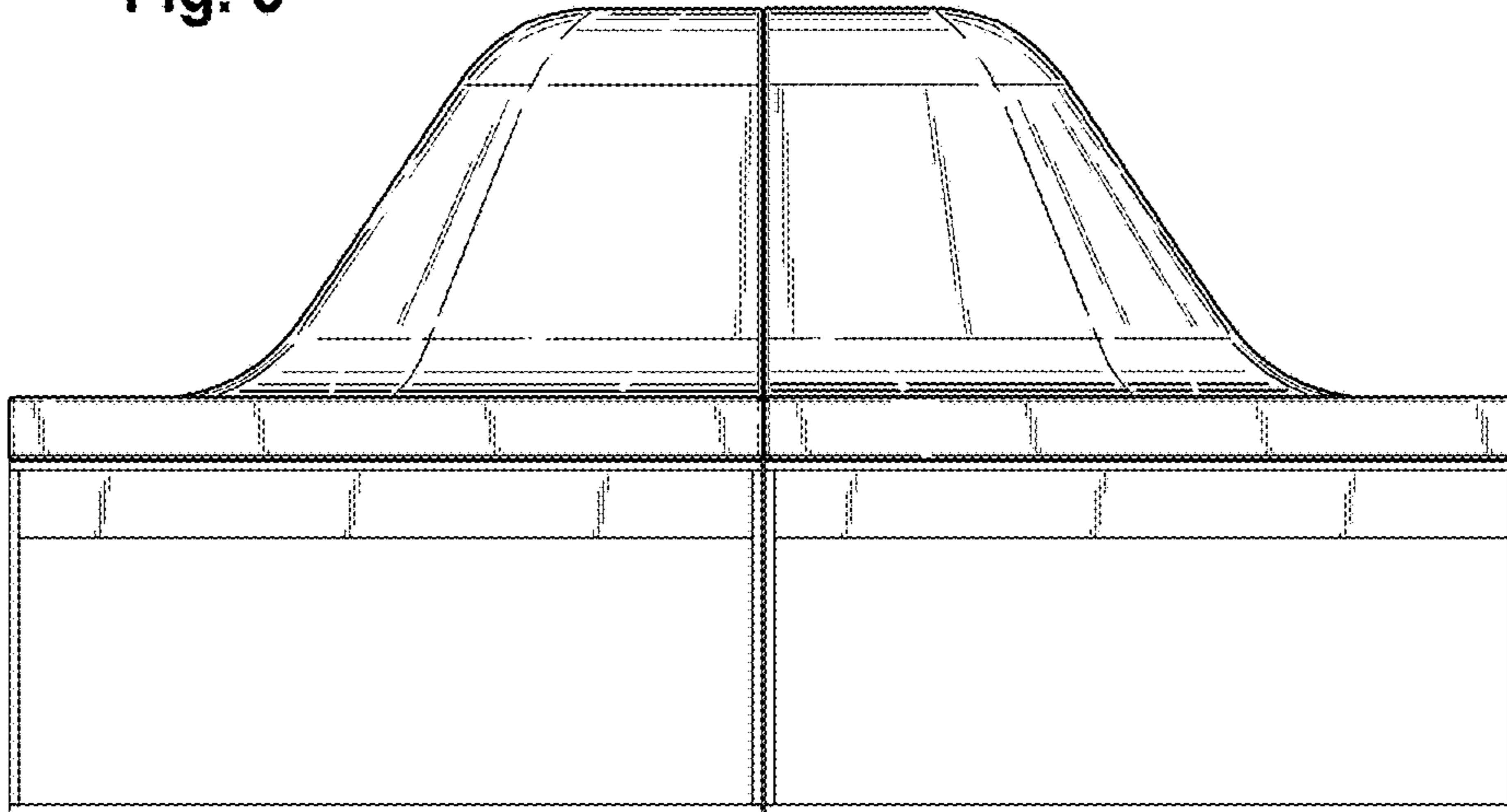


Fig. 6

