

US00D846293S

(12) **United States Design Patent** (10) **Patent No.:** **US D846,293 S**
Love (45) **Date of Patent:** **** Apr. 23, 2019**

(54) **TOILET STEP FOR CHILDREN**

(71) Applicant: **Roy Love**, Mesa, AZ (US)

(72) Inventor: **Roy Love**, Mesa, AZ (US)

(**) Term: **15 Years**

(21) Appl. No.: **29/640,470**

(22) Filed: **Mar. 14, 2018**

(51) **LOC (11) Cl.** **06-01**

(52) **U.S. Cl.**
USPC **D6/349**

(58) **Field of Classification Search**
USPC D6/334-338, 340-343, 349-353, 355,
D6/358, 364-365, 597, 691-691.9,
D6/692-692.6, 716-716.1
CPC .. A47B 7/00-7/02; A47C 11/00; A47C 12/00;
A47C 13/00; A47C 16/00; A47C 16/02;
A47C 16/04; A47C 9/00-9/105; A47K
17/02; A47K 17/028

See application file for complete search history.

(56) **References Cited**

U.S. PATENT DOCUMENTS

2,023,901	A	7/1934	Rhodes	
D131,137	S *	1/1942	Baumann	D6/349
2,992,439	A	7/1961	Tassel	
4,162,490	A	7/1979	Fu	
4,199,826	A	4/1980	Devereux	
4,244,064	A	1/1981	Parr	
4,534,072	A	8/1985	Lipski	
4,615,055	A	10/1986	Botes	
D297,789	S *	9/1988	Stepien	D6/349
D386,571	S *	11/1997	Wilhelm	D23/309
D483,084	S *	12/2003	Gvoich	D21/671
6,715,161	B1	4/2004	Depoe	
D508,556	S *	8/2005	Palazzolo	D23/309
7,716,757	B2	5/2010	Sumpton	

D652,222	S *	1/2012	Edwards	D6/349
8,291,526	B2	10/2012	Parvizian	
D797,466	S *	9/2017	Zioni	D6/353
D802,311	S *	11/2017	Stricklin	D6/349
D812,920	S *	3/2018	Pham	D6/353
10,010,228	B2 *	7/2018	Rane	A47K 17/028
2007/0050900	A1	3/2007	McDowell	

OTHER PUBLICATIONS

Stokle Toilettenhocker. [online] Published on Apr. 28, 2017. Retrieved Nov. 9, 2018 from URL: https://www.amazon.de/dp/B01LYR7OZM/?tag=1304b7-21.*

* cited by examiner

Primary Examiner — Vy N Koenig
(74) *Attorney, Agent, or Firm* — Mark V. Loen

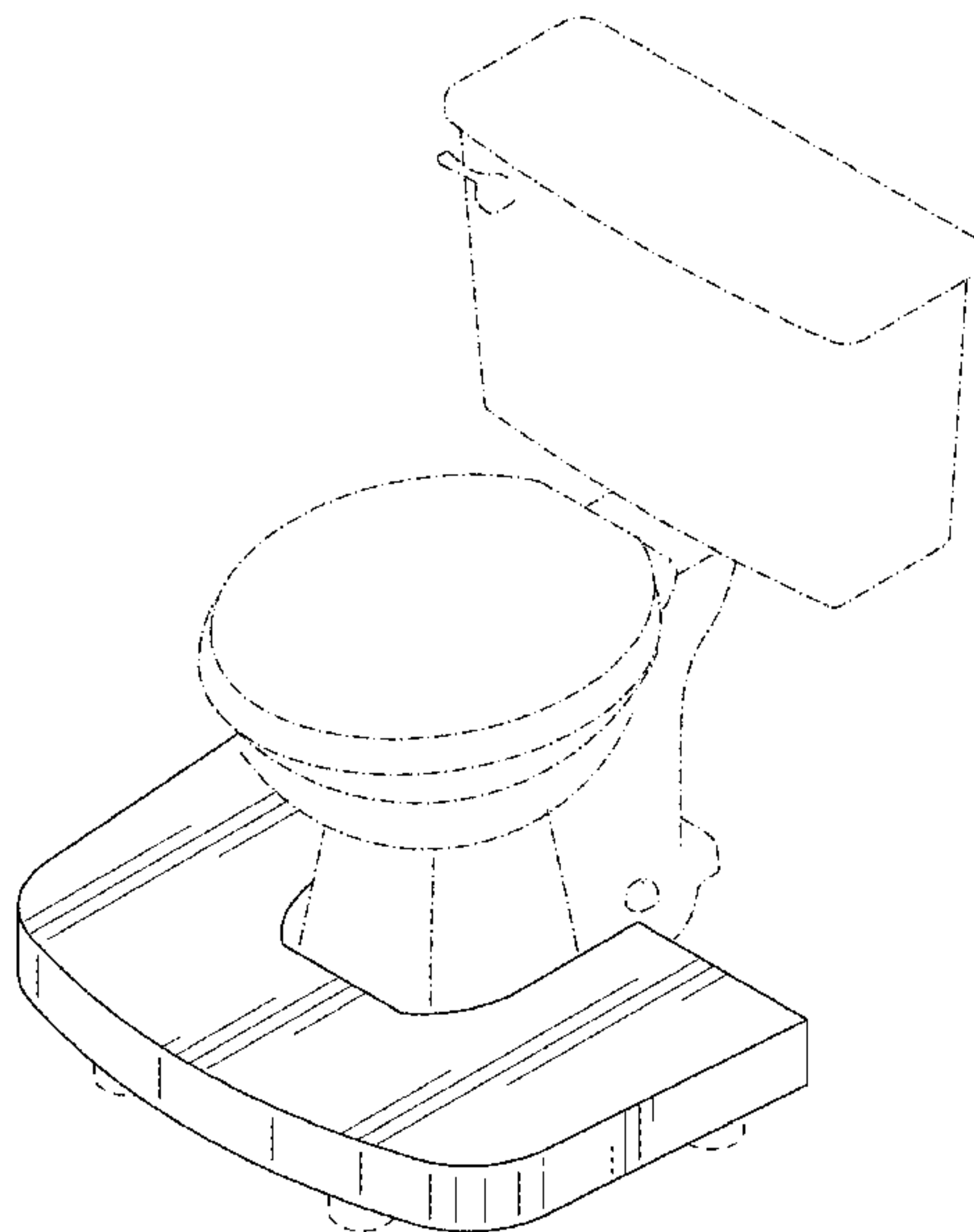
(57) **CLAIM**

The ornamental design for a toilet step for children, as shown and described.

DESCRIPTION

FIG. 1 is a front view of a toilet step for children;
FIG. 2 is a right side view thereof, the left side view being a mirror image;
FIG. 3 is a top side view thereof;
FIG. 4 is a lower side view thereof;
FIG. 5 is a back view thereof;
FIG. 6 is an isometric view thereof; and,
FIG. 7 is a different isometric view thereof showing the toilet step for children in a condition of use.
The even segmented lines drawn in FIGS. 2-7 are unclaimed adjustable supports, and which forms no part of the claimed design. The dash dot lines shown in FIG. 7 are for purposes of illustrating environmental structure associated with the claimed design in condition of use, and which forms no part of the claimed design.

1 Claim, 5 Drawing Sheets



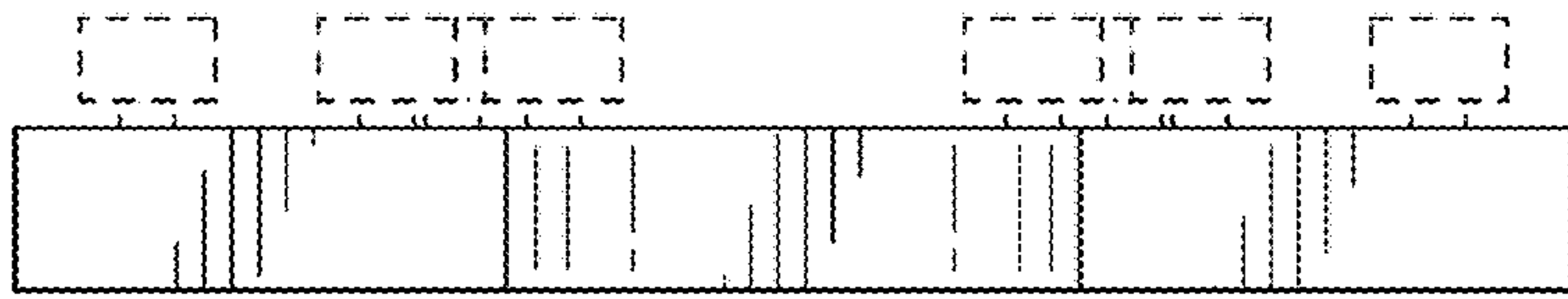


Fig. 3

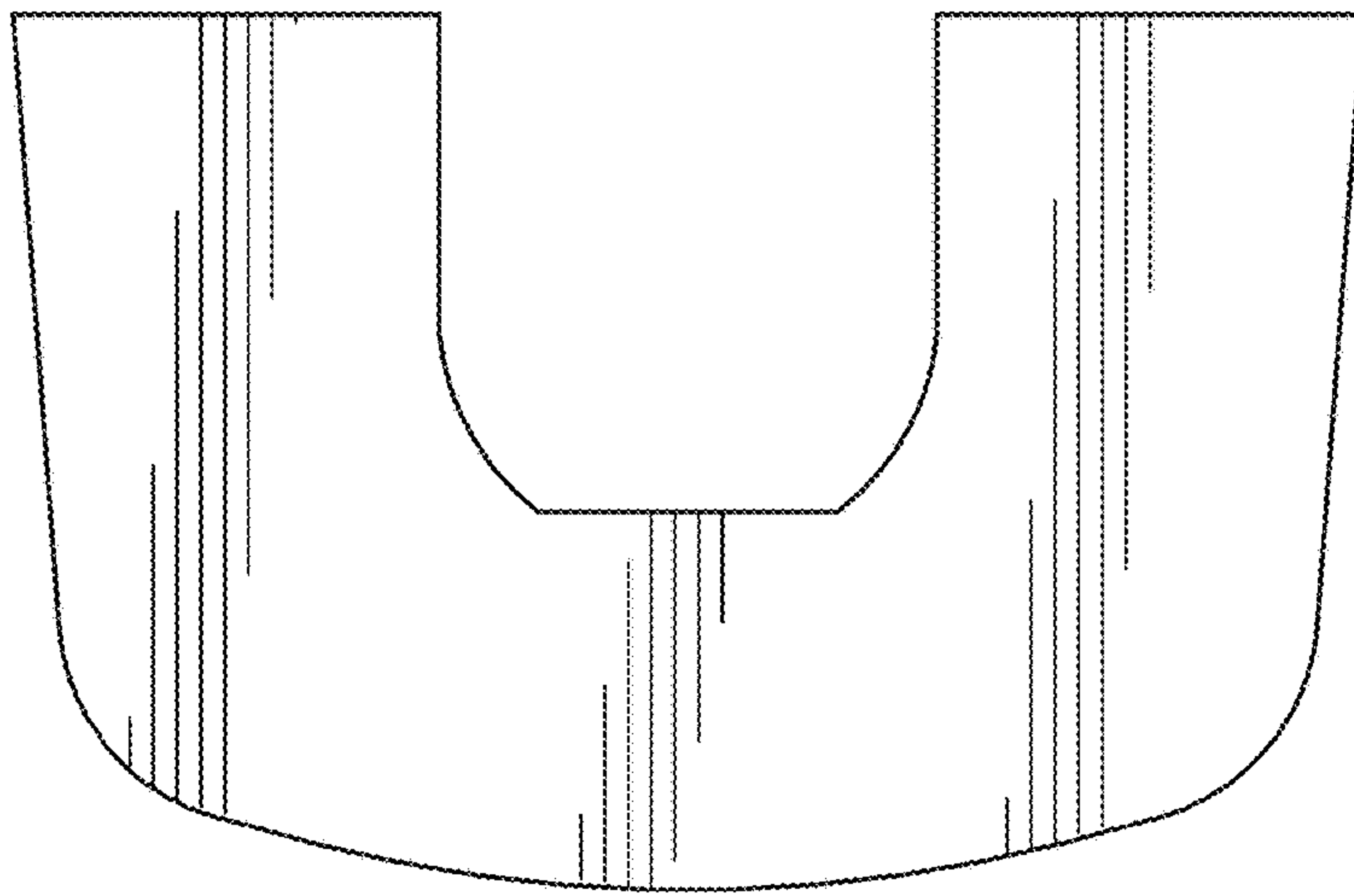


Fig. 1

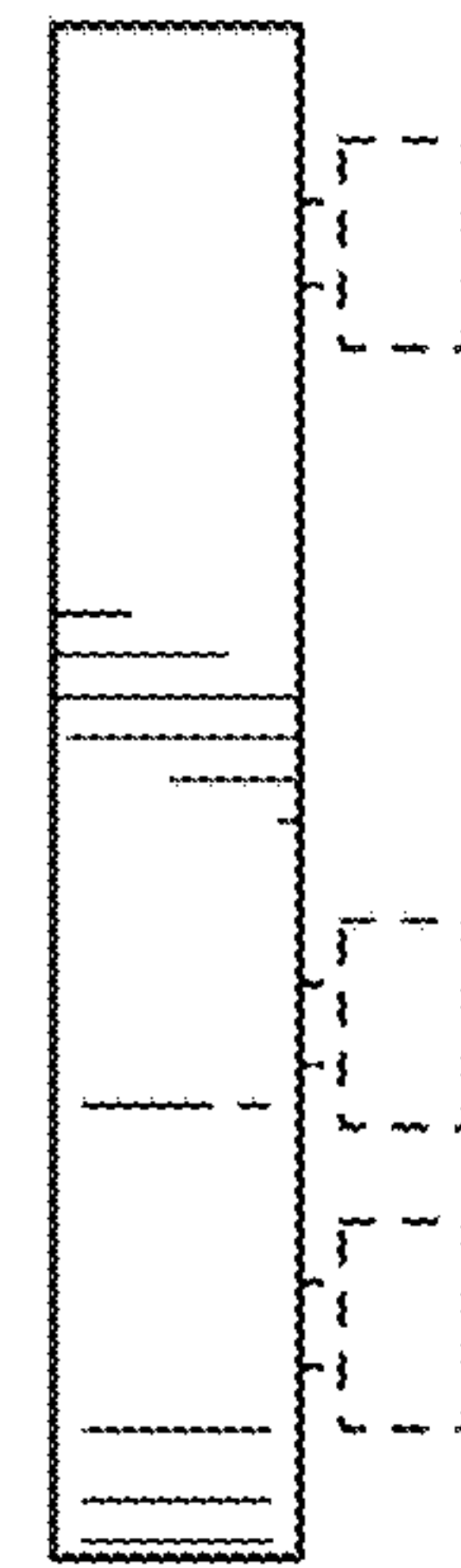


Fig. 2

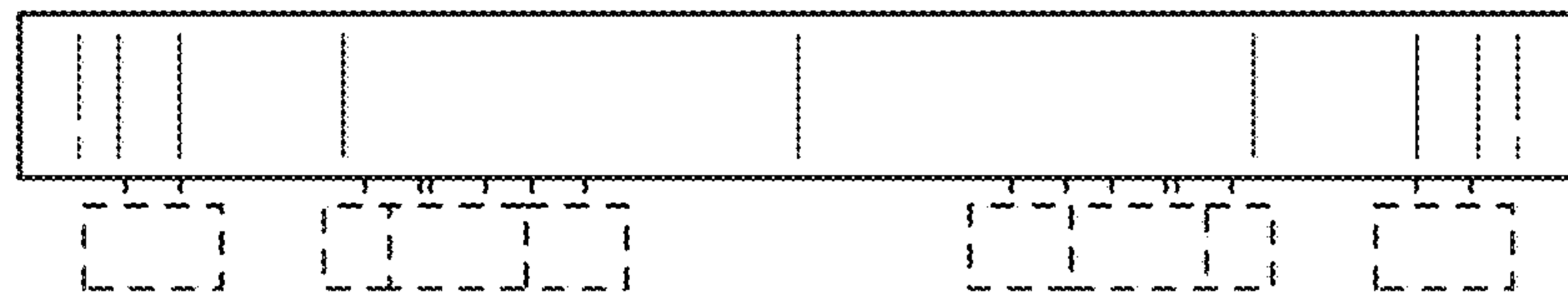


Fig. 4

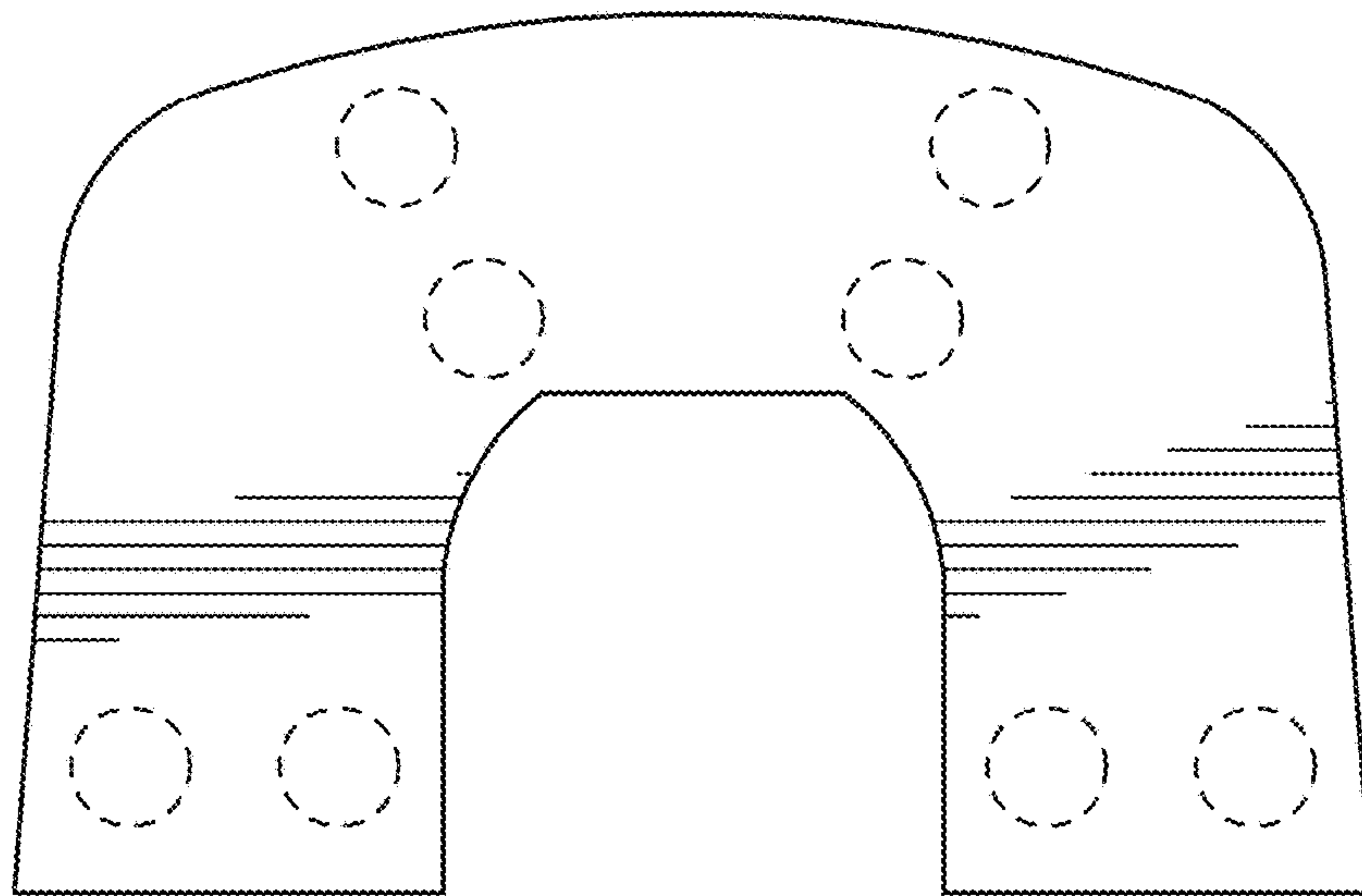


Fig. 5

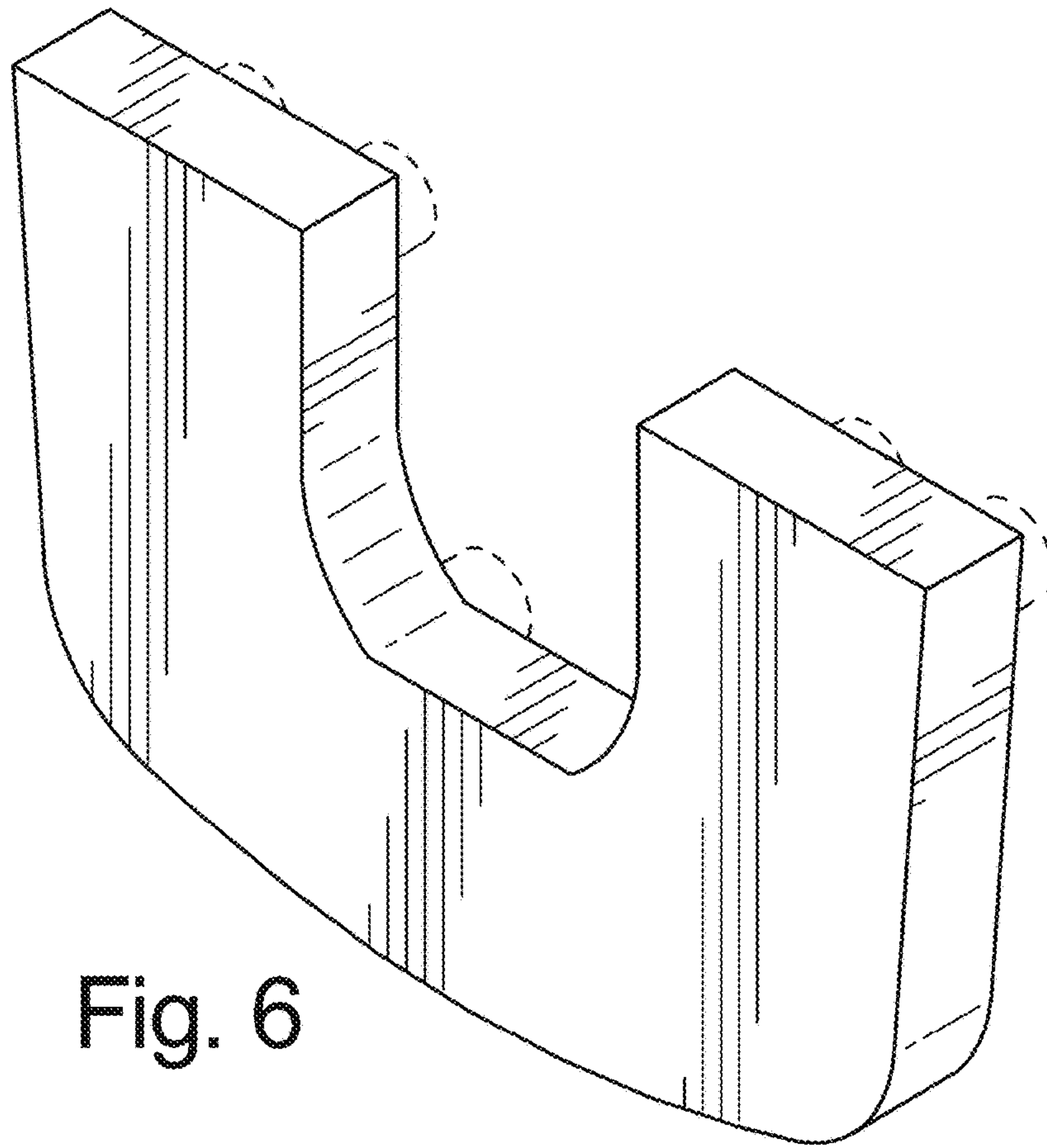
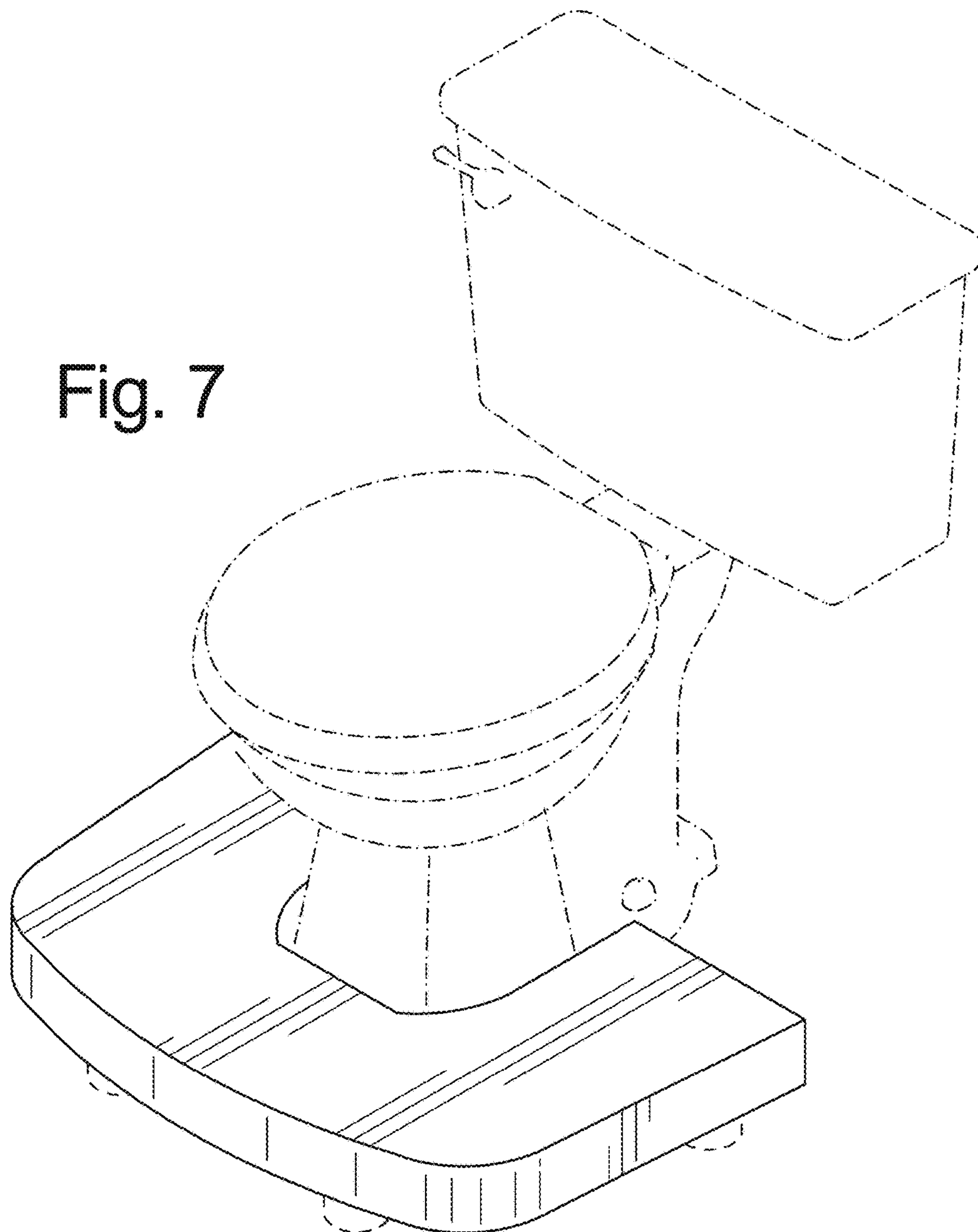


Fig. 6

Fig. 7



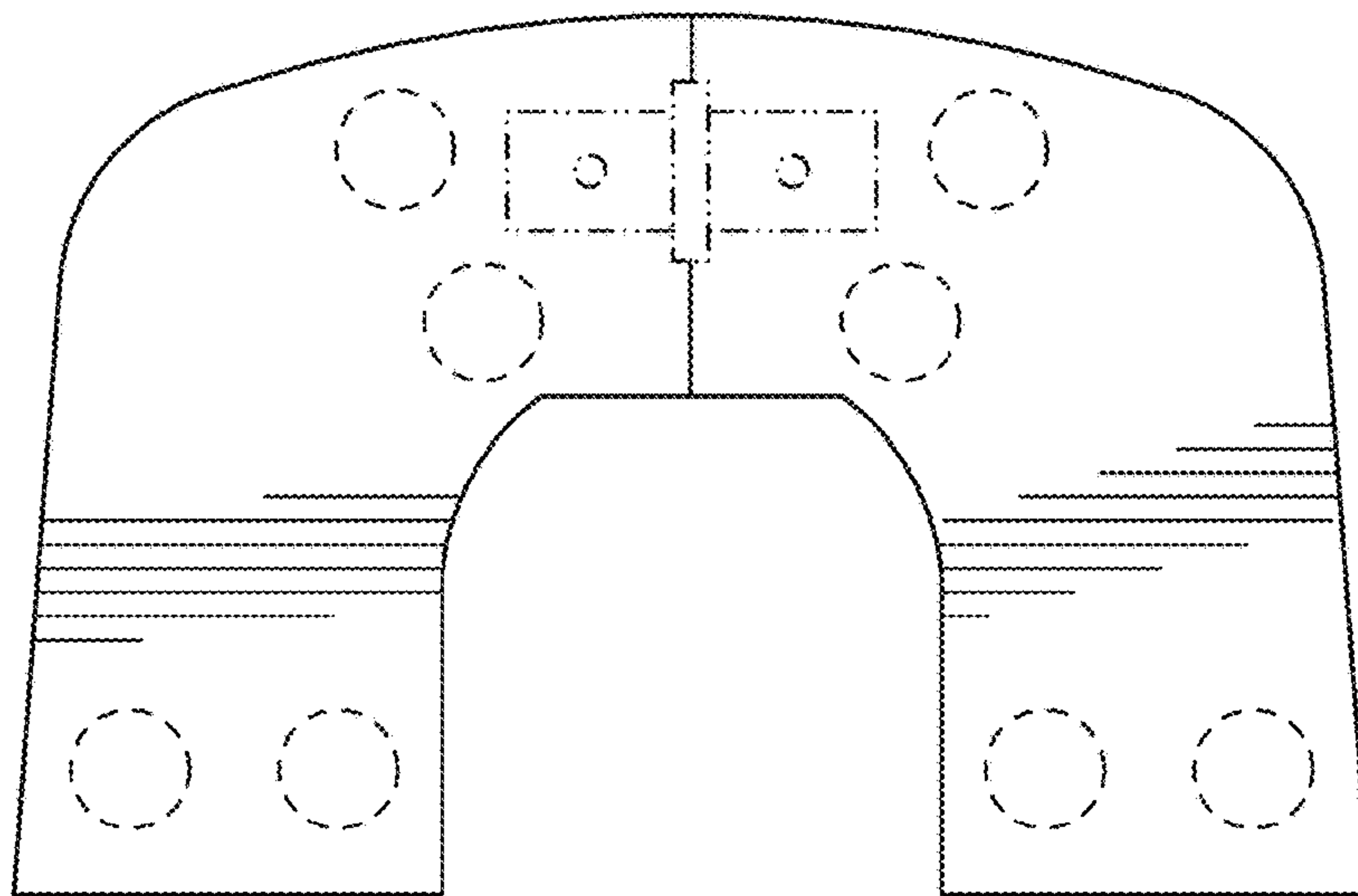


Fig. 8