

US00D846288S

(12) **United States Design Patent**
Yang et al.

(10) **Patent No.:** **US D846,288 S**
(45) **Date of Patent:** **** Apr. 23, 2019**

(54) **VANITY MIRROR**

(71) Applicant: **simplehuman, LLC**, Torrance, CA (US)

(72) Inventors: **Frank Yang**, Rancho Palos Verdes, CA (US); **Di-Fong Chang**, Torrance, CA (US); **Myk Lum**, Irvine, CA (US); **Adam Wade**, Rancho Santa Margarita, CA (US)

(73) Assignee: **simplehuman, LLC**, Torrance, CA (US)

(**) Term: **15 Years**

(21) Appl. No.: **29/639,794**

(22) Filed: **Mar. 8, 2018**

(51) **LOC (11) Cl.** **06-06**

(52) **U.S. Cl.**
USPC **D6/309**

(58) **Field of Classification Search**
USPC D6/300–314
CPC ... A47G 1/00; A47G 1/02; A47G 1/06; A47G 1/0616; A47G 1/14; A47G 1/141; A45D 42/00; A45D 42/08; A45D 42/14; A45D 42/16; A45D 42/10

See application file for complete search history.

(56) **References Cited**

U.S. PATENT DOCUMENTS

D44,537 S	8/1913	McIsaac	
D65,759 S	10/1924	Short	
2,004,166 A	6/1935	Low	
2,292,059 A	8/1942	Charles	
2,687,674 A	8/1954	Emilea	
D208,234 S	8/1967	Ely	
D209,077 S	* 10/1967	Andre D26/56
D213,392 S	2/1969	Andre	
D216,414 S	12/1969	Hanson	
3,623,356 A	11/1971	Bisberg	

3,732,702 A	5/1973	Desch
3,794,828 A	2/1974	Arpino
D243,301 S	2/1977	Ravn
D243,478 S	2/1977	Jones
D254,208 S	2/1980	Breslow

(Continued)

FOREIGN PATENT DOCUMENTS

CN	2925206 Y	7/2007
DE	29904039 U1	6/1999

(Continued)

OTHER PUBLICATIONS

Advanced Lighting Guidelines, 1993 (second edition), Chapter entitled, "Occupant Sensors", Published by California Energy Commission (CEC Pub.), in 14 pages.
(Continued)

Primary Examiner — Deanna L Pratt
(74) *Attorney, Agent, or Firm* — Knobbe Martens Olson & Bear, LLP

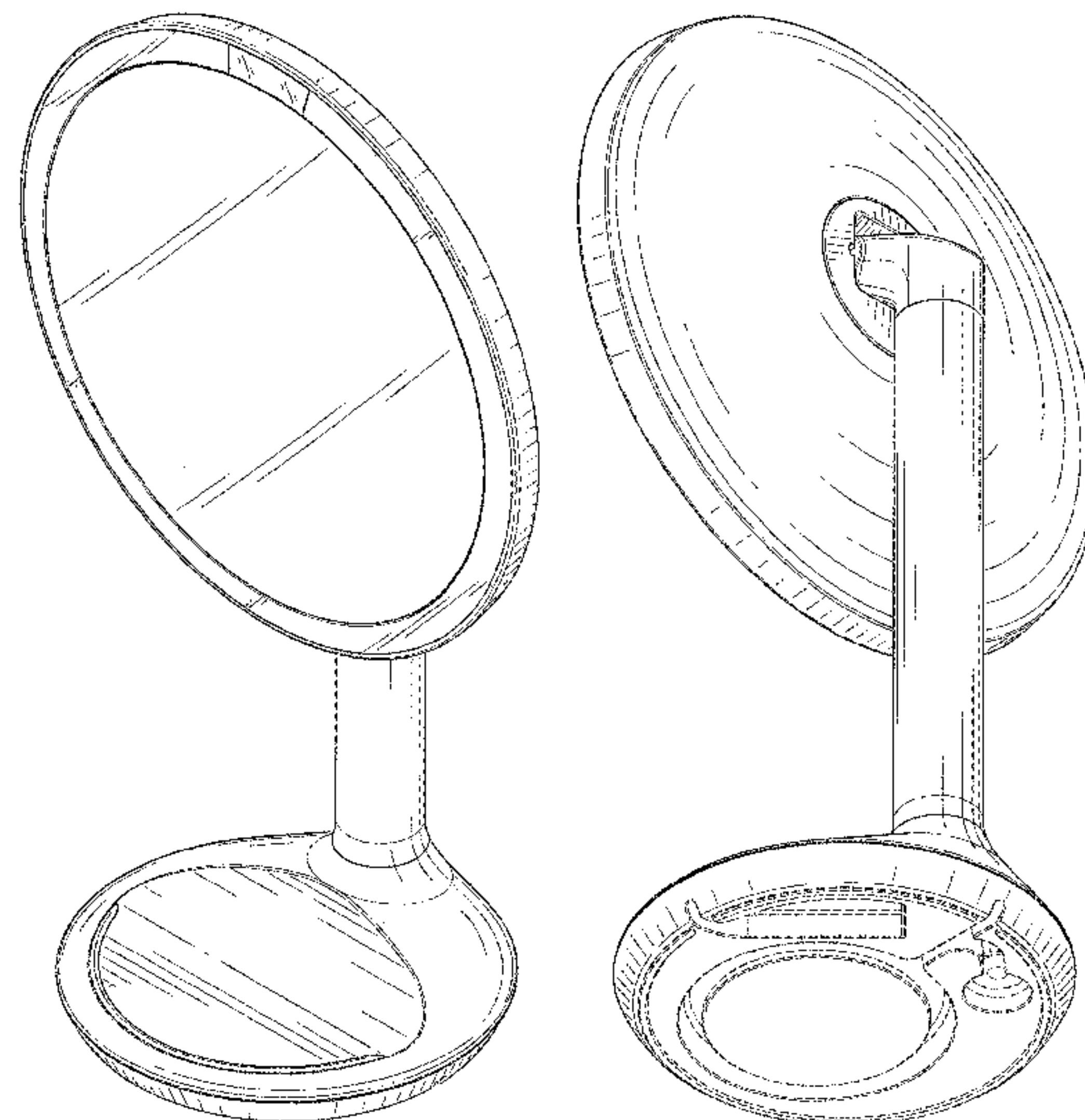
(57) **CLAIM**

The ornamental design for a vanity mirror, as shown and described.

DESCRIPTION

FIG. 1 is a top front perspective view of an embodiment of a vanity mirror of our design;
FIG. 2 is a bottom rear perspective view thereof;
FIG. 3 is a front elevation view thereof;
FIG. 4 is a rear elevation view thereof;
FIG. 5 is a left-side elevation view thereof;
FIG. 6 is a right-side elevation view thereof;
FIG. 7 is a top plan view thereof; and,
FIG. 8 is a bottom plan view thereof.
All features in broken line form no part of the claimed subject matter.

1 Claim, 8 Drawing Sheets



(56)

References Cited

U.S. PATENT DOCUMENTS

4,278,870	A	7/1981	Carleton et al.	D666,010	S	8/2012	Farley	
D261,845	S	11/1981	Wachtel	D670,087	S	11/2012	Walker	
D290,662	S	7/1987	Basil et al.	8,356,908	B1	1/2013	Zadro	
D307,358	S	4/1990	Gerton	8,382,189	B2	2/2013	Li et al.	
D309,833	S	8/1990	Wahl	8,393,749	B1	3/2013	Daicos	
D317,531	S	6/1991	Evans	D679,101	S	4/2013	Pitot	
5,164,861	A	11/1992	Katz	D679,102	S	4/2013	Gilboe et al.	
D335,580	S	5/1993	Gaullier	D680,755	S	4/2013	Gilboe et al.	
5,267,786	A	12/1993	Aisley	D688,883	S	9/2013	Gilboe et al.	
5,392,162	A	2/1995	Glucksman	D689,701	S	9/2013	Mischel, Jr. et al.	
D378,159	S	2/1997	Mulkey	8,585,273	B2	11/2013	Pokrovskiy et al.	
D379,125	S	5/1997	Simjian	D699,448	S *	2/2014	Yang	D6/309
D391,773	S	3/1998	Zaidman et al.	D699,952	S *	2/2014	Yang	D6/309
D409,003	S	5/1999	Scavini	D701,050	S *	3/2014	Yang	D6/309
5,984,485	A	11/1999	Poli et al.	D701,507	S	3/2014	Cope	
D425,313	S	5/2000	Zadro	D707,454	S	6/2014	Pitot	
D426,182	S	6/2000	Brown	D711,871	S	8/2014	Daniel	
D431,375	S	10/2000	Zadro	D711,874	S	8/2014	Cope	
6,158,877	A	12/2000	Zadro	D712,963	S	9/2014	Fleet	
D442,371	S	5/2001	Eberts	D727,630	S	4/2015	Zadro	
6,241,357	B1	6/2001	Lee	D729,525	S	5/2015	Tsai	
6,270,240	B1	8/2001	Inoue	D729,527	S	5/2015	Tsai	
6,273,585	B1	8/2001	Wu	D730,065	S	5/2015	Tsai	
6,305,809	B1	10/2001	Zadro	D736,001	S *	8/2015	Yang	D6/309
D454,701	S	3/2002	Eric	D737,059	S	8/2015	Tsai	
D459,094	S	6/2002	Stone et al.	D737,060	S *	8/2015	Yang	D6/309
6,420,682	B1	7/2002	Sellgren et al.	D737,580	S	9/2015	Tsai	
D465,490	S	11/2002	Wei	D738,118	S	9/2015	Gyanendra et al.	
D474,432	S	5/2003	Good	9,232,846	B2	1/2016	Fung	
6,604,836	B2	8/2003	Carlucci et al.	D751,829	S *	3/2016	Yang	D6/309
D488,626	S	4/2004	Kruger	D754,446	S *	4/2016	Yang	D6/309
D492,230	S	6/2004	Berger	9,528,695	B2	12/2016	Adachi et al.	
6,830,154	B2	12/2004	Zadro	D779,836	S *	2/2017	Bailey	D6/309
6,848,822	B2	2/2005	Ballen et al.	D785,345	S *	5/2017	Yang	D6/310
D505,555	S	5/2005	Snell	9,638,410	B2 *	5/2017	Yang	F21V 33/004
6,886,351	B2	5/2005	Palfy et al.	D793,099	S	8/2017	Bailey	
D508,883	S	8/2005	Falconer	D801,060	S	10/2017	Hollinger	
D509,369	S	9/2005	Snell	9,897,306	B2 *	2/2018	Yang	F21V 33/004
D511,413	S	11/2005	Yue	D825,940	S *	8/2018	Liu	D6/309
D512,841	S	12/2005	Dirks	2002/0196333	A1	12/2002	Gorischek	
7,004,599	B2	2/2006	Mullani	2003/0030063	A1	2/2003	Sosniak et al.	
7,048,406	B1	5/2006	Shih	2003/0031010	A1	2/2003	Sosniak et al.	
7,054,668	B2	5/2006	Endo et al.	2004/0020509	A1	2/2004	Waisman	
7,090,378	B1	8/2006	Zadro	2004/0125592	A1	7/2004	Nagakubo et al.	
D532,981	S	12/2006	Zadro	2004/0156133	A1	8/2004	Vernon	
D540,549	S	4/2007	Yue	2005/0068646	A1	3/2005	Lev et al.	
7,233,154	B2	6/2007	Groover et al.	2005/0243556	A1	11/2005	Lynch	
D546,567	S	7/2007	Bhavnani	2005/0270769	A1	12/2005	Smith	
D558,987	S	1/2008	Gildersleeve	2006/0186314	A1	8/2006	Leung	
7,341,356	B1	3/2008	Zadro	2007/0159846	A1	7/2007	Nishiyama et al.	
7,347,573	B1	3/2008	Isler	2007/0297189	A1	12/2007	Wu et al.	
D568,081	S	5/2008	Thompson et al.	2008/0130305	A1	6/2008	Wang et al.	
D569,671	S	5/2008	Thompson et al.	2008/0258110	A1	10/2008	Oshio	
D572,024	S	7/2008	Shapiro	2008/0298080	A1	12/2008	Wu et al.	
7,393,115	B2	7/2008	Tokushita et al.	2009/0027902	A1	1/2009	Fielding et al.	
D574,159	S	8/2008	Howard	2009/0207339	A1	8/2009	Ajichi et al.	
D584,516	S	1/2009	Otomo	2009/0301927	A1	12/2009	Fvlbrook et al.	
7,513,476	B1	4/2009	Huang	2010/0033988	A1	2/2010	Chiu et al.	
7,626,655	B2	12/2009	Yamazaki et al.	2010/0118422	A1	5/2010	Holacka	
D635,009	S	3/2011	Paterson	2010/0118520	A1	5/2010	Stern et al.	
7,953,648	B2	5/2011	Vock	2010/0296298	A1	11/2010	Martin, Jr.	
D639,077	S	6/2011	DeBretton Gordon	2011/0058269	A1	3/2011	Su	
D647,444	S	10/2011	Manukyan et al.	2011/0080374	A1	4/2011	Feng et al.	
D649,790	S	12/2011	Pitot	2011/0211079	A1	9/2011	Rolston	
D652,220	S	1/2012	Pitot	2011/0283577	A1	11/2011	Cornelissen et al.	
D656,979	S	4/2012	Yip et al.	2012/0229789	A1	9/2012	Kang et al.	
D657,425	S	4/2012	Podd	2012/0307490	A1	12/2012	Ellis	
D657,576	S	4/2012	Pitot	2013/0026512	A1	1/2013	Tsai	
8,162,502	B1	4/2012	Zadro	2013/0077292	A1	3/2013	Zimmerman	
D658,604	S	5/2012	Egawa et al.	2013/0190845	A1	7/2013	Liu et al.	
D660,367	S	5/2012	Podd	2014/0240964	A1	8/2014	Adachi et al.	
D660,368	S	5/2012	Podd	2015/0060431	A1 *	3/2015	Yang	H05B 3/845
D660,369	S	5/2012	Podd					219/219
8,194,133	B2	6/2012	DeWind et al.					
D665,030	S	8/2012	Podd	2015/0305113	A1	10/2015	Ellis	

(56)

References Cited

U.S. PATENT DOCUMENTS

2016/0045015 A1 2/2016 Baldwin
 2016/0255941 A1* 9/2016 Yang A45D 42/10

FOREIGN PATENT DOCUMENTS

DE 20014279 U1 2/2001
 DE 102004042929 A1 3/2006
 DE 102006060781 A1 4/2008
 DE 202009004795 U1 9/2009
 DE 202010000170 U1 7/2010
 DE 202012103555 U1 2/2014
 EP 1792553 A2 6/2007
 JP 2008-073174 A 4/2008

OTHER PUBLICATIONS

Brookstone Shower Mirror, available from internet at http://www.brookstone.com/9-Lighted-Fogless-Shower-Mirror?bklid=?SubCategory_Bath_Spa_Mirrors_Lighting_Makeup_Mirrors%7CSubCategoryWidget%7C608364p&catid=n/, apparently available Jan. 15, 2013, site visited Dec. 2, 2014.

Jerdon Wall Mounted Mirror, available from internet at http://www.amazon.com/Jerdon-HL1016NL-9-5-Inch-Lighted-Magnification/dp/B00413G9K2/ref=sr_1_26?ie=UTF8&qid=1420579897&sr=8-26&keywords=wall+mounted+mirror#customerReviews, apparently available Feb. 21, 2009, site visited Jan. 8, 2015.

Jerdon Wall Mounted Mirror, available from internet at http://www.amazon.com/Jerdon-JD7C-9-Inch-Lighted-Magnification/dp/B001DKVC08/ref=sr_1_54?ie=UTF8&qid=1420580127&sr=8-54&keywords=wall+mounted+mirror, apparently available Oct. 6, 2010, site visited Jan. 8, 2015.

Simple Human Sensor Mirror, Internet Archive Wayback Machine webpage capture of <http://www.tuvie.com/stainless-steel-sensor-mirror-by-simplehuman/>, apparently available Jan. 27, 2013, site visited Dec. 2, 2014.

Simple Human Vanity Mirror, available from internet at <http://www.bedbathandbeyond.com/store/products/simplehuman-reg-5x-sensor-vanity-mirror/1041483503?categoryId=12028>, apparently available Dec. 19, 2013, site visited Dec. 2, 2014.

Simplehuman Mini Sensor Mirror, available from Internet at http://www.amazon.com/gp/product/B00FZ3MFAA/ref=pd_lpo_sbs_dp_ss_2?pf_rd_p=1944579862&pf_rd_s=lpo-top-stripe-1&pf_rd_t=201&pf_rd_i=B00M8MC5H4&pf_rd_m=ATVPDKIKX0DER&pf_rd_r=0RHFJEABM9QKSWJKK99N#Ask, apparently available Mar. 11, 2014, site visited Jan. 8, 2015.

Simplehuman Sensor Mirror Pro Wide-View, available from internet at <http://www.simplehuman.com/wide-view-sensor-mirror>, site visited Aug. 9, 2016.

Simplehuman Sensor Mirror, available from internet at <http://www.amazon.com/simplehuman-Sensor-Sensor-Activated-Lighted-Magnification/dp/B00M8MC5H4#customerReviews>, apparently available Dec. 31, 2014, site visited Jan. 8, 2015.

Simplehuman Wall Mount Mirror, available from Internet at <http://www.amazon.com/simplehuman-Wall-Mount-Sensor-Mirror/dp/B00FN92ELG#customerReviews>, available at least as early as Jan. 31, 2013, site visited Jan. 8, 2015.

Simplehuman Wide View Sensor Mirror, available from internet at <http://www.amazon.com/simplehuman-Wide-View-Sensor-Mirror/dp/B01C2RXD7K>, site visited Aug. 9, 2016.

Zadro Z'fogless Mirror with Light, available from internet at http://www.amazon.com/Zadro-1X-Zfogless-Adjustable-Magnification/dp/B000ARWLIW/ref=sr_1_16?s=beauty&ie=UTF8&qid=1439229012&sr=1-16&keywords=zadro+lighted+fogless+mirror, apparently available Nov. 27, 2006, site visited Aug. 10, 2015.

* cited by examiner

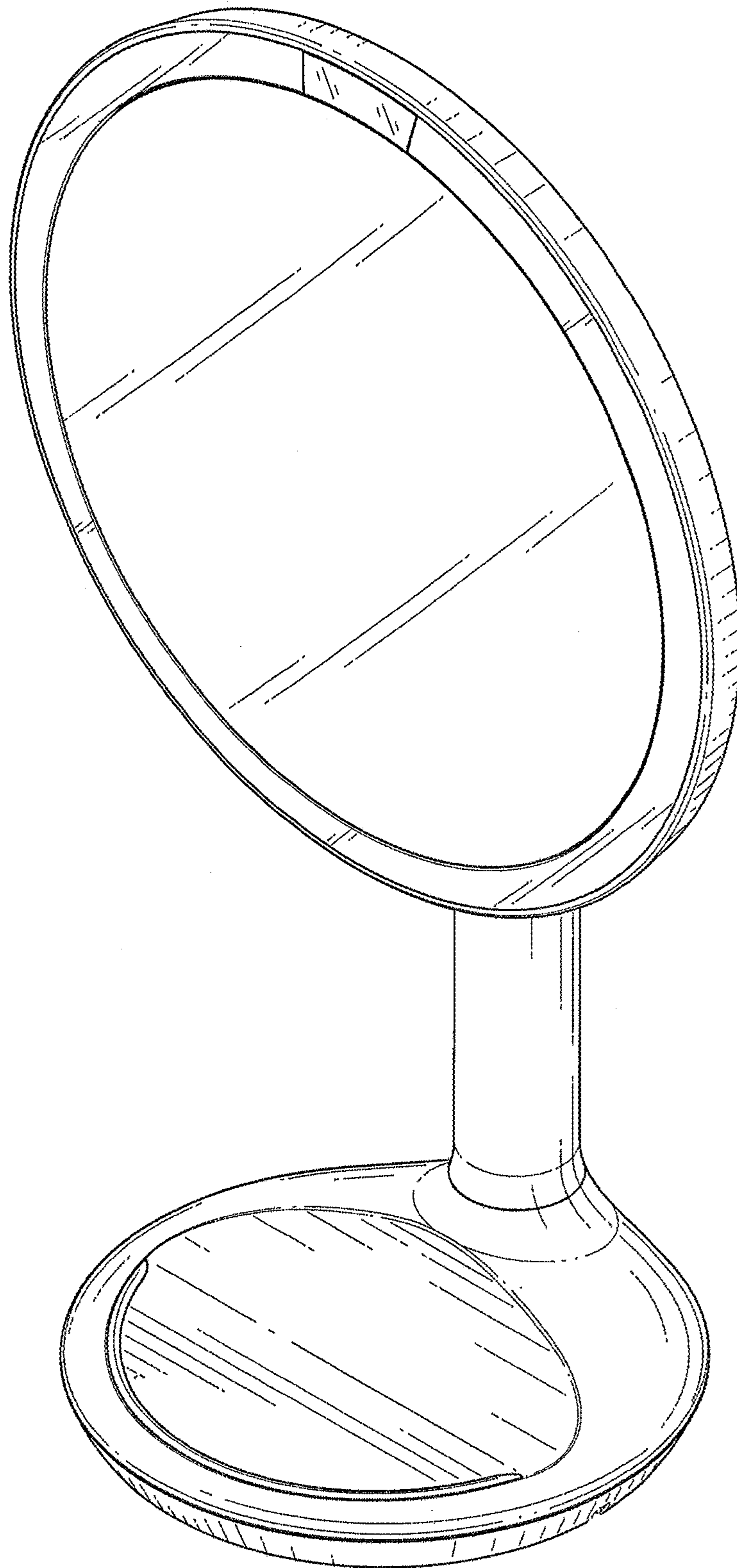


FIG. 1

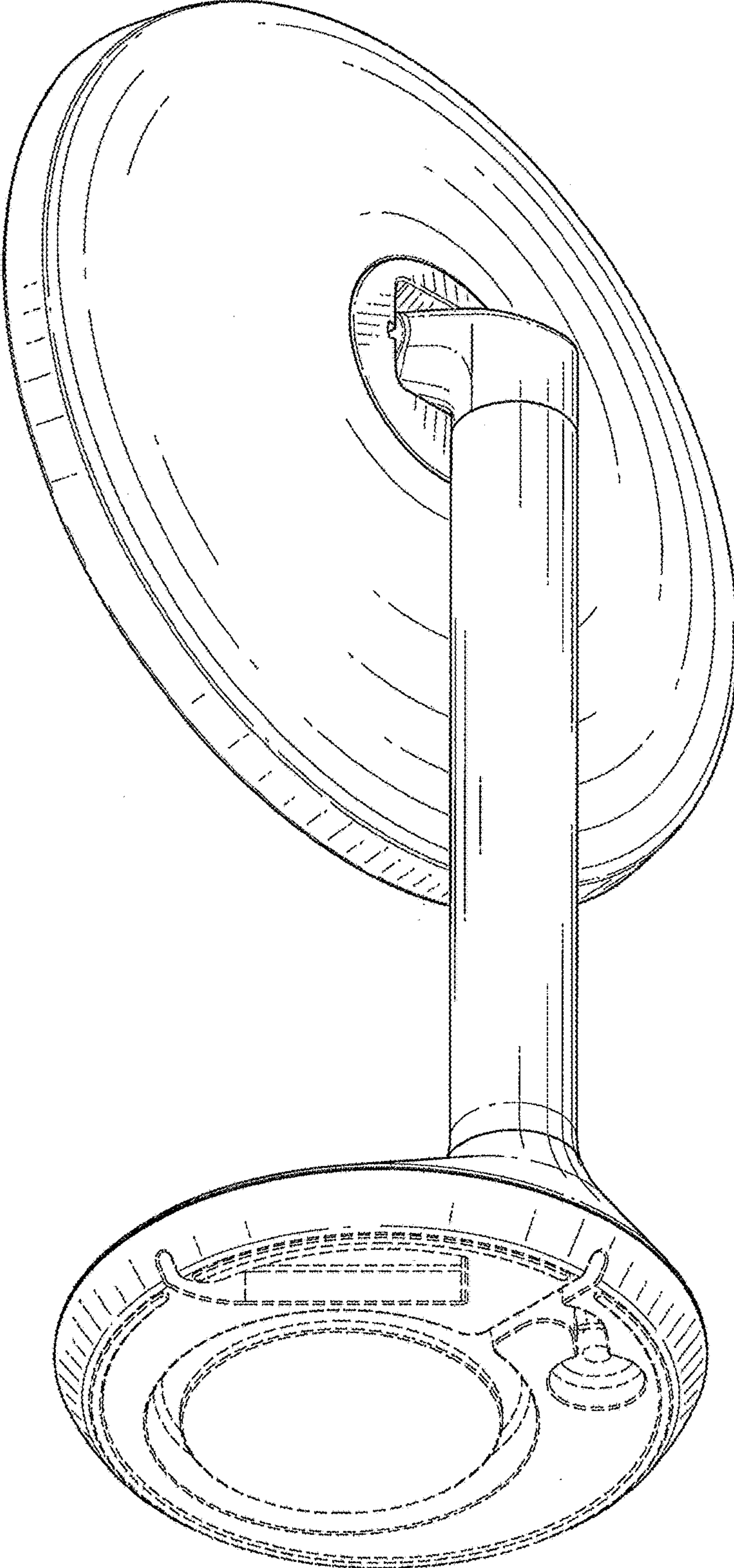


FIG. 2

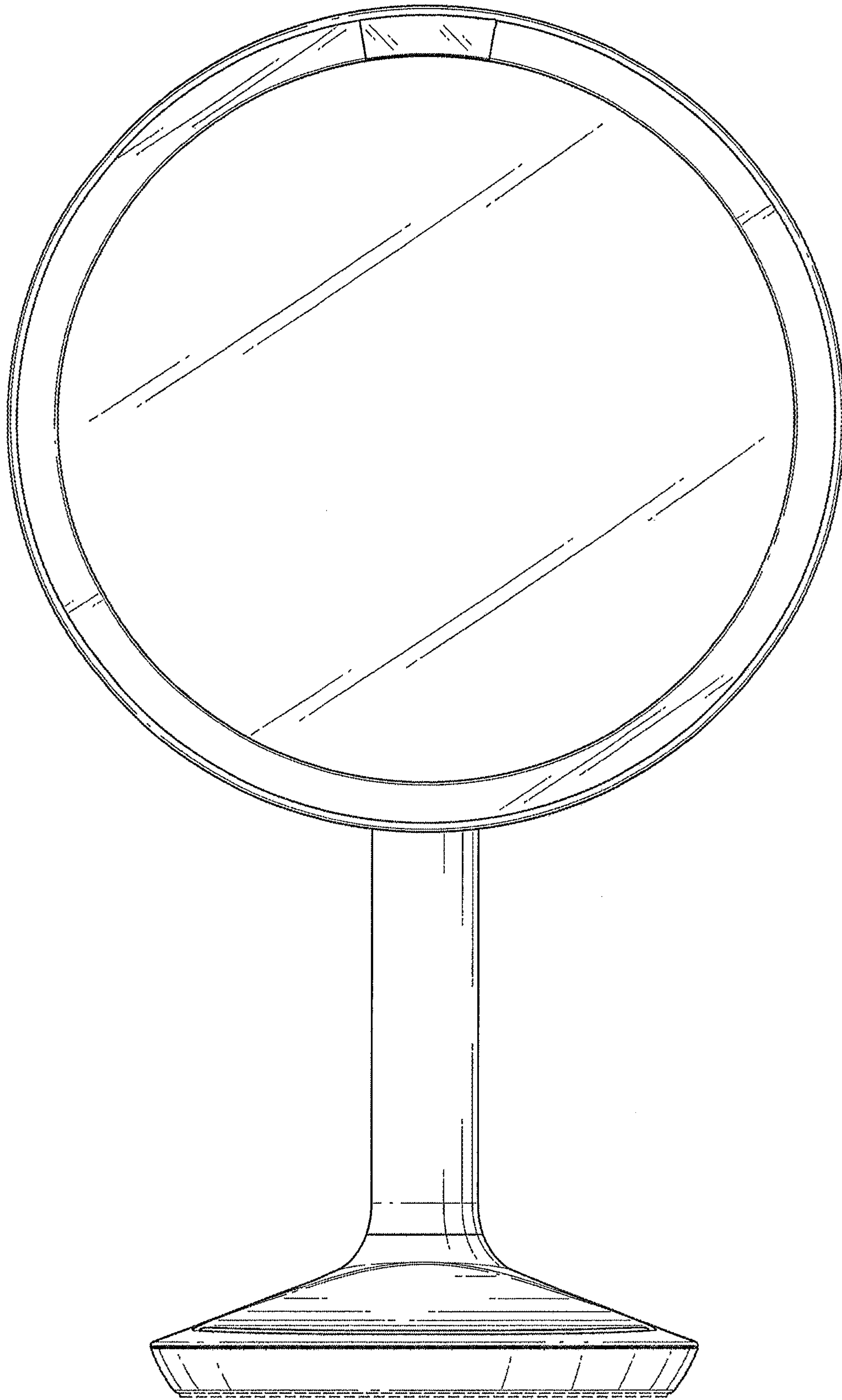


FIG. 3

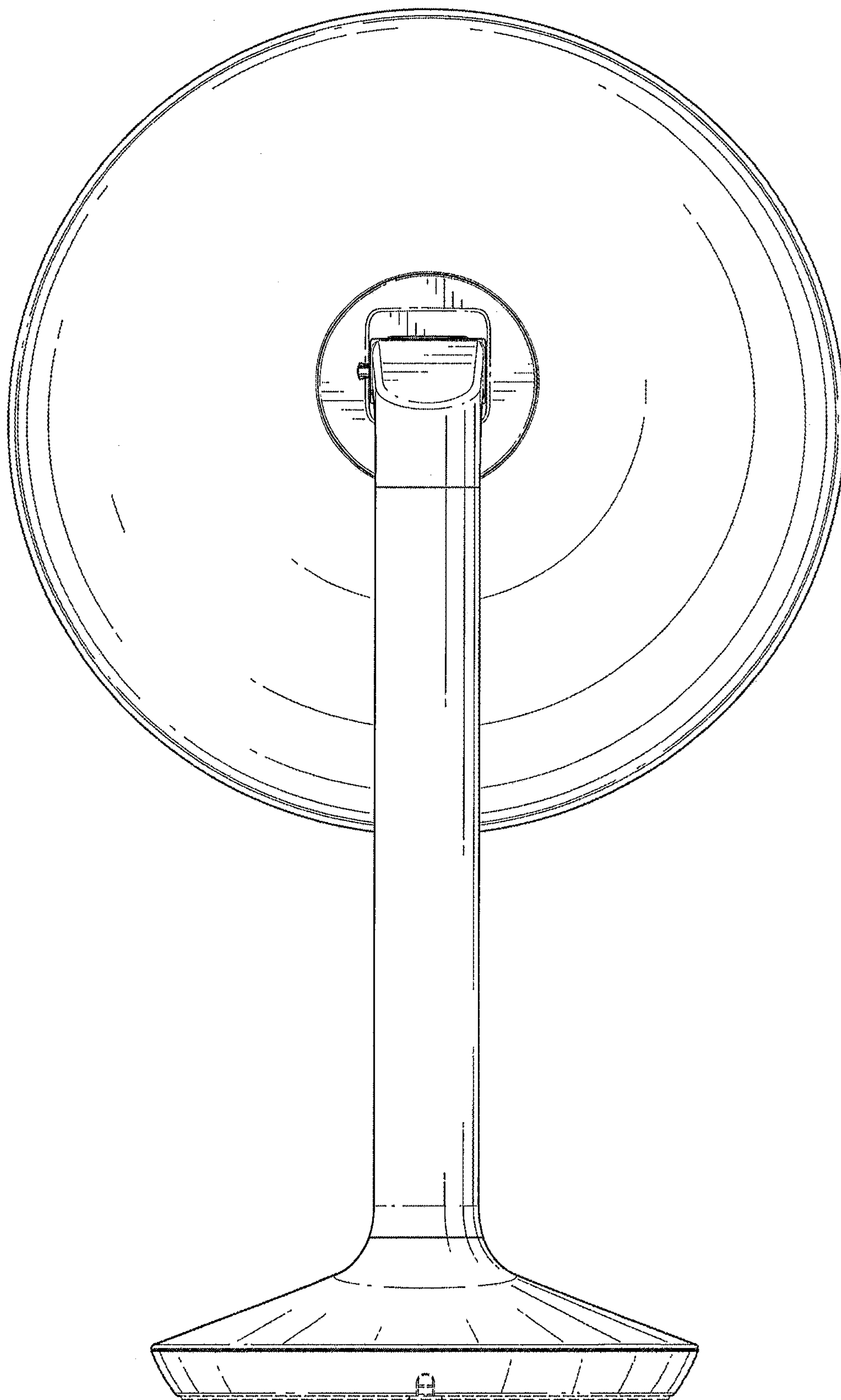


FIG. 4

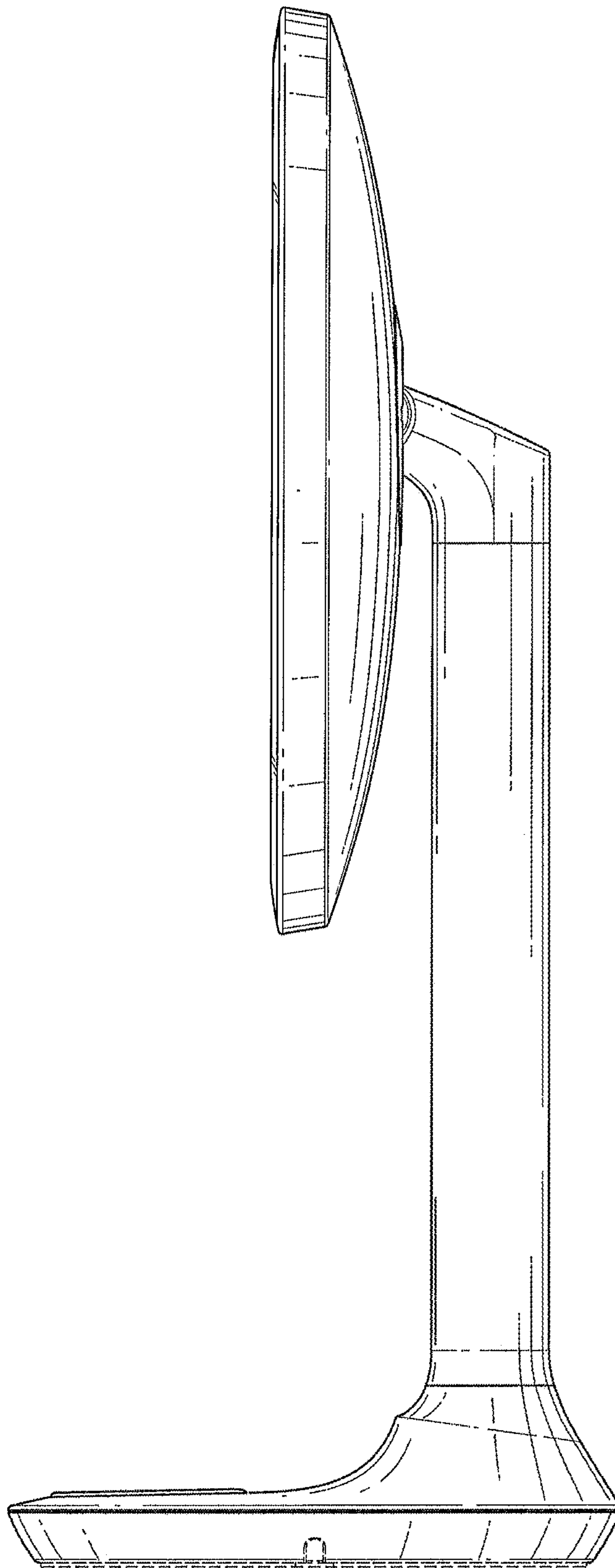


FIG. 5

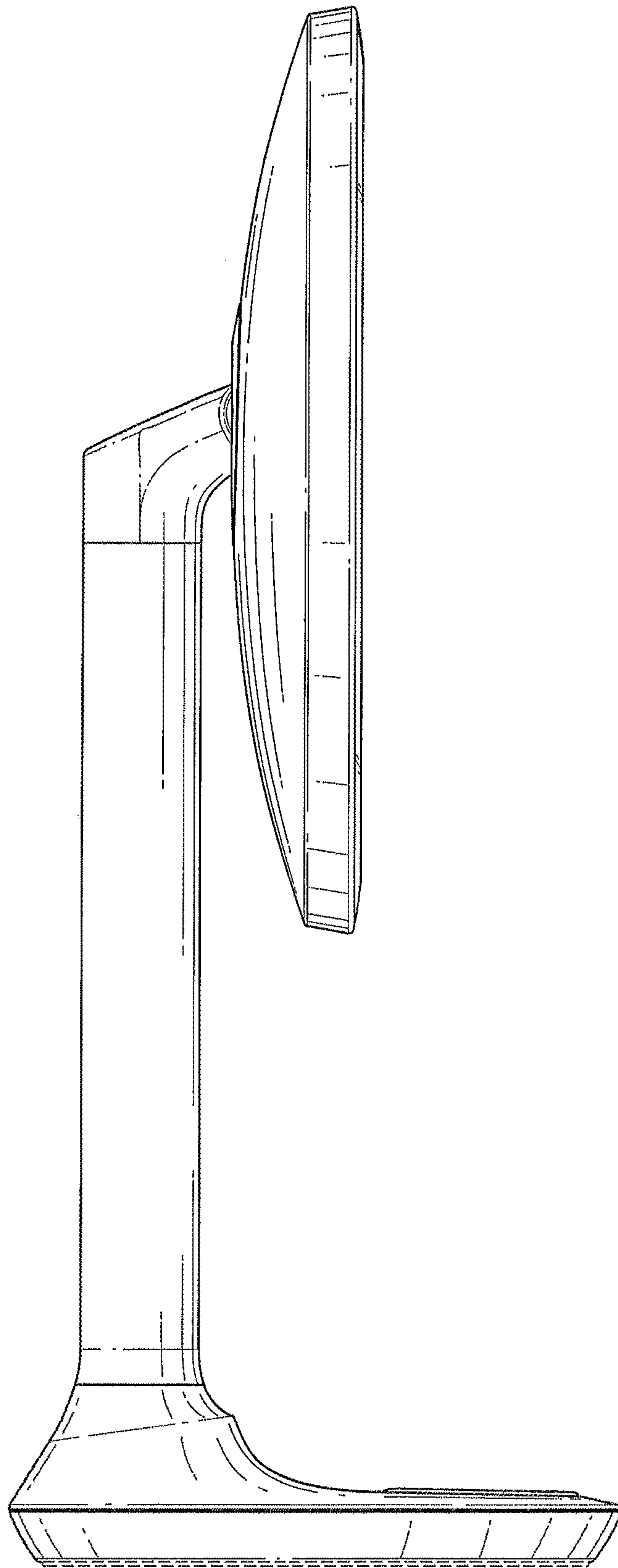


FIG. 6

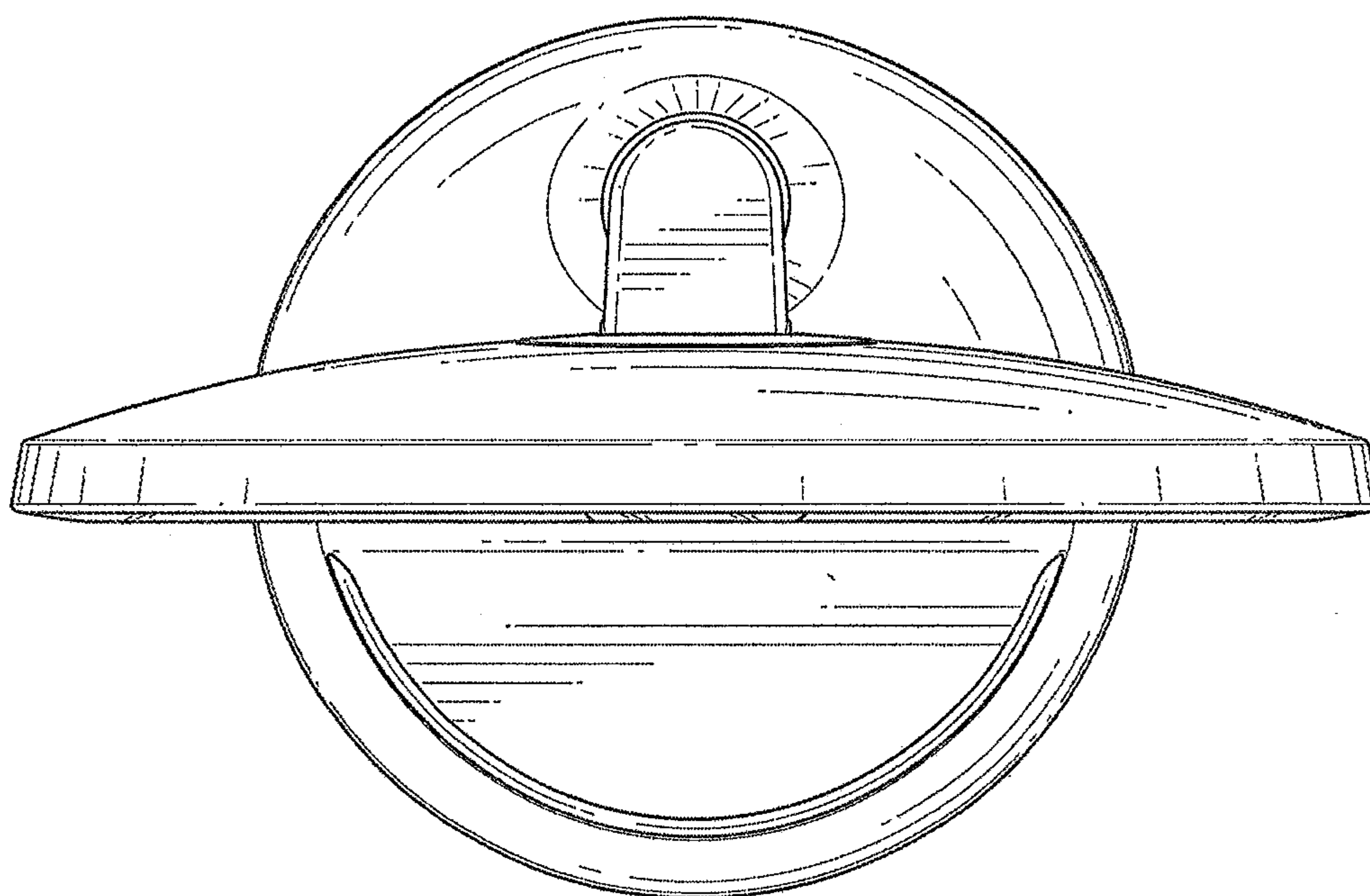


FIG. 7

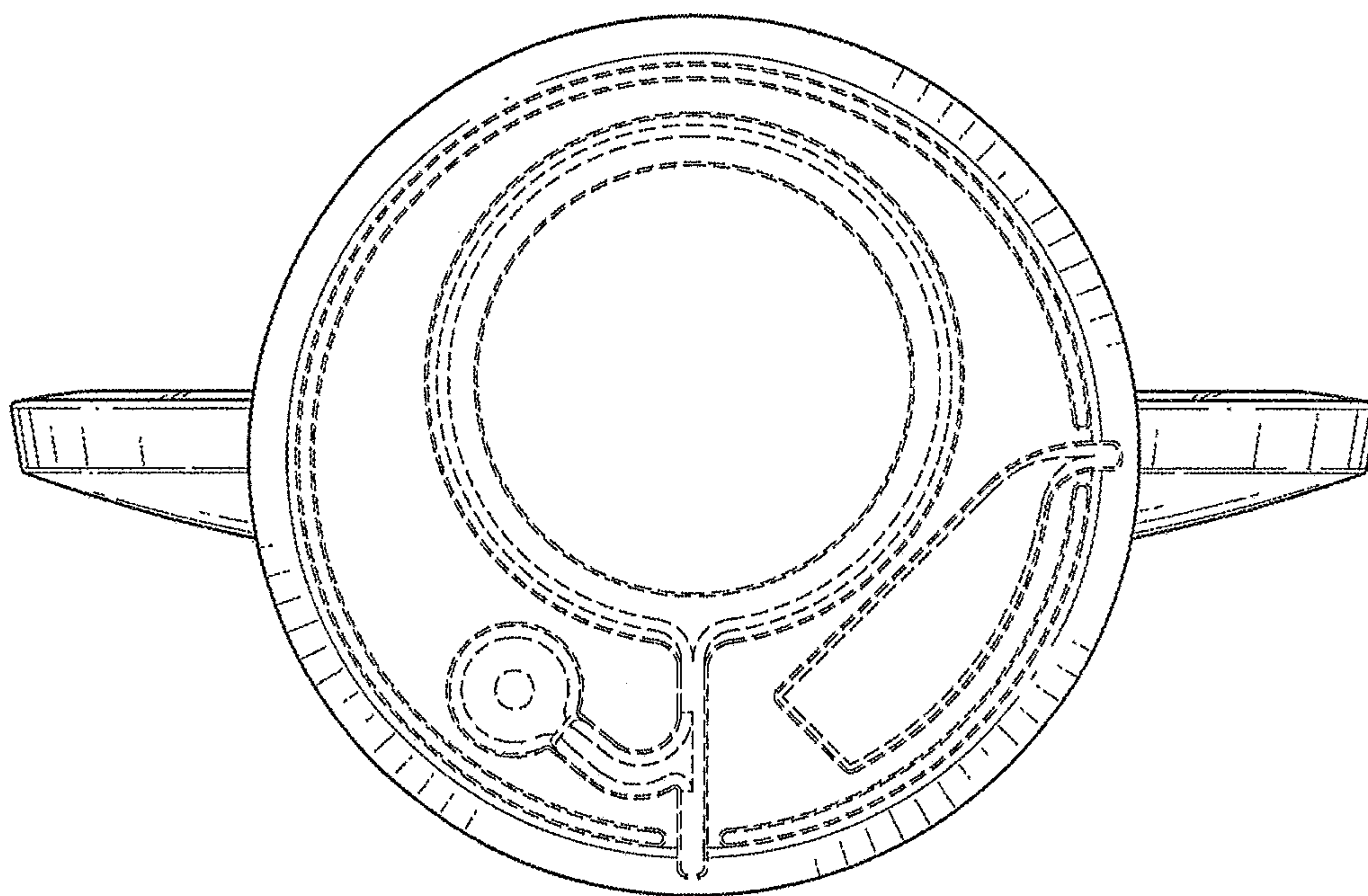


FIG. 8