



US00D846285S

(12) **United States Design Patent** (10) **Patent No.:** **US D846,285 S**  
**Bloch et al.** (45) **Date of Patent:** **\*\* Apr. 23, 2019**

(54) **ORAL CARE IMPLEMENT**  
(71) Applicant: **COLGATE-PALMOLIVE COMPANY**, New York, NY (US)  
(72) Inventors: **Brian Bloch**, Hillsborough, NJ (US); **Thuanchong Tan**, Shanghai (CN)  
(73) Assignee: **Colgate-Palmolive Company**, New York, NY (US)  
(\*\*) Term: **15 Years**  
(21) Appl. No.: **29/585,109**  
(22) Filed: **Nov. 21, 2016**  
(51) **LOC (11) Cl.** ..... **04-02**  
(52) **U.S. Cl.**  
USPC ..... **D4/104**  
(58) **Field of Classification Search**  
USPC ..... D4/100, 101, 102, 104, 105, 107, 108, D4/109, 110, 111, 112, 113, 114, 116,  
(Continued)

(56) **References Cited**  
**U.S. PATENT DOCUMENTS**  
1,255,028 A \* 1/1918 Omar Leonard et al. ....  
A61H 23/0254  
15/22.1  
4,795,343 A \* 1/1989 Choisser ..... A61C 17/005  
433/116  
(Continued)

**FOREIGN PATENT DOCUMENTS**  
CH 143200012 \* 5/2017  
EM 003862416-0014 \* 4/2017  
(Continued)

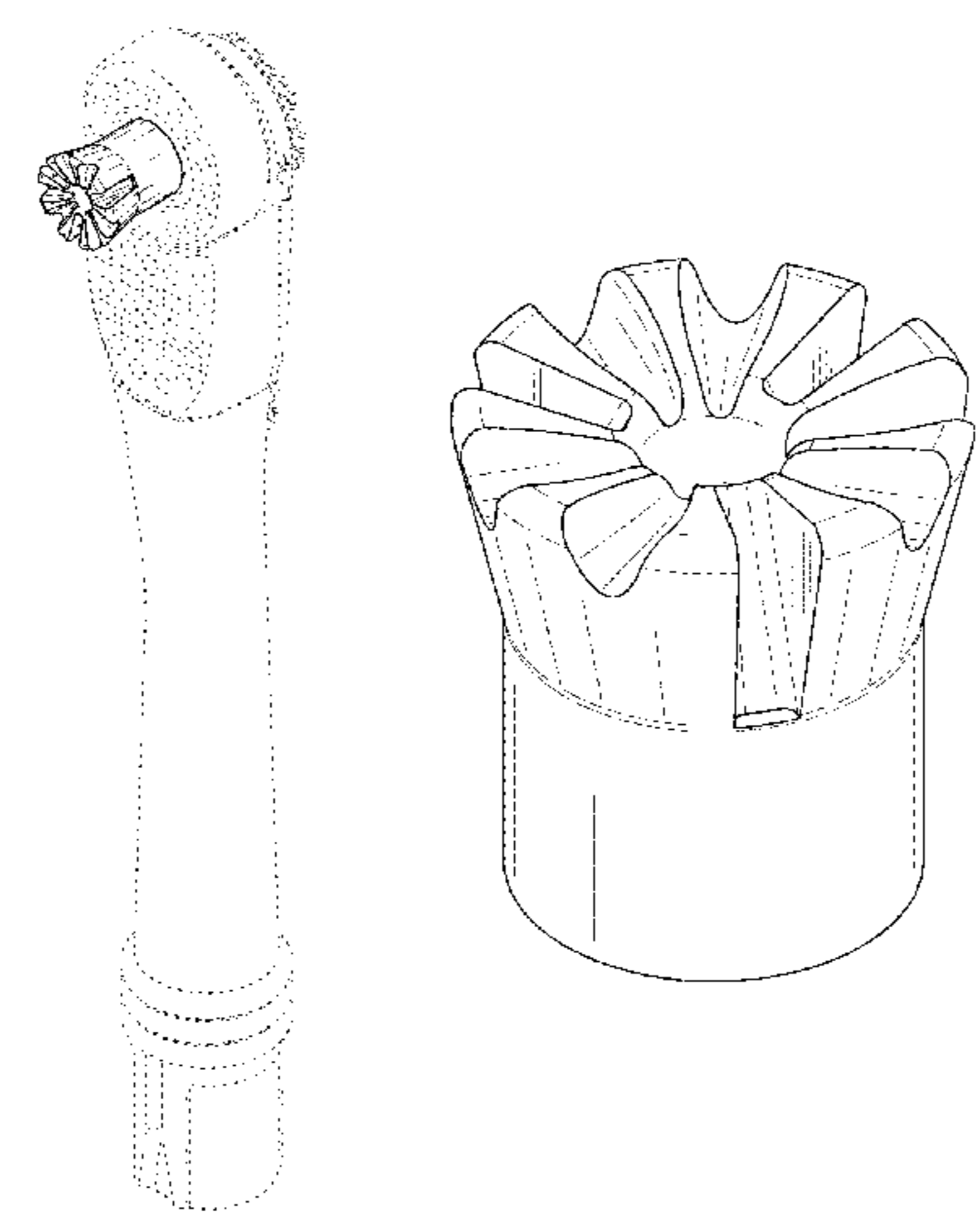
**OTHER PUBLICATIONS**  
Colgate 360 Optic White Platinum Powered Toothbrush . . .  
[on-line]; [review published to the Internet on Aug. 29, 2017];

[retrieved from the Internet on May 8, 2018]; URL: [https://www.amazon.com/gp/product/B0746NSWJ2/ref=s9\\_dcacsd\\_dcoop\\_bw\\_c\\_x\\_1\\_w](https://www.amazon.com/gp/product/B0746NSWJ2/ref=s9_dcacsd_dcoop_bw_c_x_1_w). (7 pgs). (Year: 2017).\*  
(Continued)  
*Primary Examiner* — Karen S Acker  
*Assistant Examiner* — Jasmine Mlinarcik

(57) **CLAIM**  
The ornamental design for oral care implement, as shown and described.

**DESCRIPTION**  
FIG. 1 is a front right perspective view of a oral care implement according to a first embodiment of the new design;  
FIG. 2 is a rear left perspective view thereof;  
FIG. 3 is an enlarged front view thereof;  
FIG. 4 is an enlarged rear view thereof;  
FIG. 5 is an enlarged left side view thereof;  
FIG. 6 is an enlarged right side view thereof;  
FIG. 7 is an enlarged top view thereof;  
FIG. 8 is an enlarged bottom view thereof;  
FIG. 9 is a front right perspective view of a cleaning element portion for an oral care implement according to a second embodiment of the new design;  
FIG. 10 is a rear left perspective view thereof;  
FIG. 11 is a front view thereof;  
FIG. 12 is a rear view thereof;  
FIG. 13 is a left side view thereof;  
FIG. 14 is a right side view thereof;  
FIG. 15 is a top view thereof; and,  
FIG. 16 is a bottom view thereof.  
The broken lines formed by even length segments shown in the drawings are for environmental structure only and form no part of the claimed design. The broken lines formed by dash dot dash lines define the bounds of the claimed design and form no part thereof.

**1 Claim, 9 Drawing Sheets**



(58) **Field of Classification Search**

USPC ..... D4/119, 124; D24/119, 136, 146, 147,  
D24/152, 156, 176, 221  
CPC ..... A46B 5/00; A46B 5/021; A46B 5/0095;  
A46B 9/04; A46B 9/10; A46B 13/008;  
A46B 13/02; A46B 13/04; A46B 13/08;  
A46B 15/0081; A46B 2200/1026; A46B  
2200/106; A46B 2200/1066; A46B  
2200/1073; A46B 2200/108; A46B  
2200/1086

See application file for complete search history.

(56) **References Cited**

U.S. PATENT DOCUMENTS

4,929,180	A	5/1990	Moreschini	
5,360,339	A	11/1994	Rosenberg	
5,416,942	A	5/1995	Baldacci et al.	
D371,199	S *	6/1996	Mendoza .....	D24/176
5,584,690	A	12/1996	Maassarani	
D413,385	S *	8/1999	Hanley .....	D24/176
6,018,840	A	2/2000	Guay et al.	
6,032,313	A	3/2000	Tsang	
6,146,140	A	11/2000	Bailey	
D501,605	S *	2/2005	Brown, Jr. ....	D4/101
6,889,401	B2	5/2005	Fattori et al.	
7,140,058	B2	11/2006	Gatzemeyer et al.	
7,153,133	B1 *	12/2006	Chia .....	A61C 17/005 433/125
7,160,108	B2	1/2007	Jaffe	
D561,475	S	2/2008	Wang et al.	
7,458,647	B2 *	12/2008	Fischer .....	A46B 3/06 15/110
D606,316	S	12/2009	Driesen et al.	
D606,318	S	12/2009	Driesen et al.	
D606,757	S	12/2009	Driesen et al.	
D611,711	S	3/2010	Driesen et al.	
D612,611	S *	3/2010	Brown, Jr. ....	D4/101
7,725,972	B2	6/2010	Berde et al.	
7,814,603	B2	10/2010	Gavney, Jr.	
7,861,356	B2	1/2011	Kunath et al.	
7,934,284	B2 *	5/2011	Braun .....	A46B 15/0002 15/110
7,941,886	B2	5/2011	Chenvainu et al.	
7,955,079	B2 *	6/2011	Chronister .....	A61C 17/005 433/125

D643,218	S	8/2011	Wagner	
8,141,192	B2	3/2012	Gavney, Jr.	
8,250,694	B2	8/2012	Gatzemeyer et al.	
8,302,238	B2	11/2012	Biro et al.	
8,444,416	B2	5/2013	Chenvainu et al.	
D690,515	S	10/2013	Fattori et al.	
8,578,544	B2	11/2013	Brown, Jr. et al.	
D703,443	S	4/2014	Gatzemeyer et al.	
8,695,149	B2	4/2014	Braun et al.	
8,784,102	B1	7/2014	Kumar	
D711,655	S	8/2014	Fattori et al.	
D734,614	S	7/2015	Driesen et al.	
9,144,299	B2	9/2015	Fritsch et al.	
D765,416	S *	9/2016	Sosa .....	D4/102
D769,626	S	10/2016	Bloch et al.	
D776,435	S	1/2017	Bloch et al.	
D799,218	S *	10/2017	Okai .....	D4/104
2002/0157198	A1	10/2002	Biro et al.	
2005/0050659	A1 *	3/2005	Chan .....	A46B 15/0036 15/22.1
2005/0060822	A1	3/2005	Chenvainu et al.	
2006/0064827	A1	3/2006	Chan	
2007/0130705	A1	6/2007	Chan et al.	
2009/0007357	A1	1/2009	Meadows et al.	
2010/0115724	A1	5/2010	Huang	
2010/0132141	A1	6/2010	Chan et al.	
2010/0299857	A1	12/2010	Stief et al.	
2014/0310901	A1	10/2014	Geiberger et al.	
2016/0045081	A1	2/2016	Kern	

FOREIGN PATENT DOCUMENTS

EM	003862416-0013	*	7/2017
EP	0435329		3/1991
EP	1132022		12/2001
JP	1271287		5/2006
WO	WO 01/01817		1/2001
WO	WO 2015/016595		5/2015

OTHER PUBLICATIONS

Colgate 360 Optic White Battery Toothbrush . . . [on-line]; [review published to the Internet on Mar. 2, 2014]; [retrieved from the Internet on May 8, 2018]; URL: <https://www.amazon.com/Colgate-Optic-Battery-Toothbrush-Replacement/dp/B009359FD6>. (6 pgs). (Year: 2014).\*

\* cited by examiner

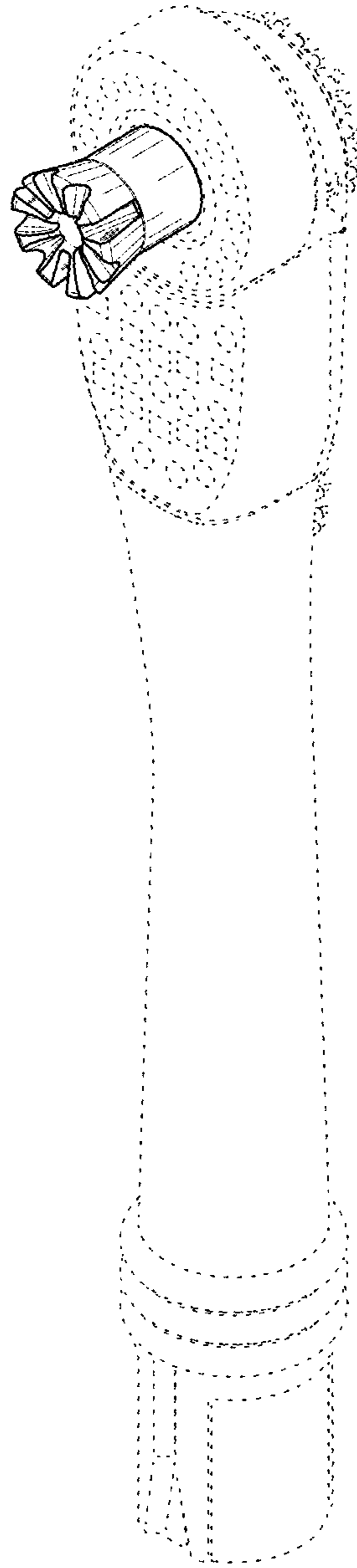


FIG. 1

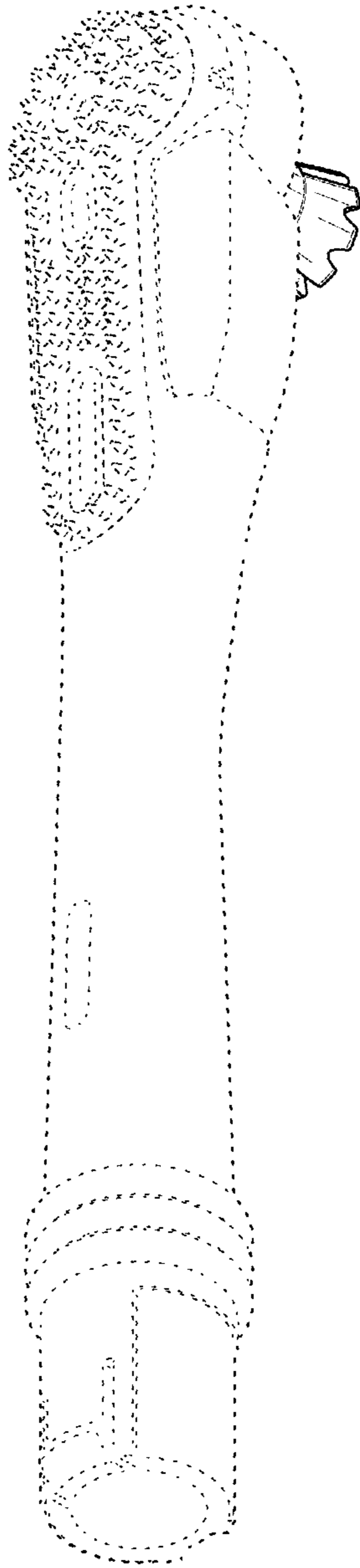


FIG. 2



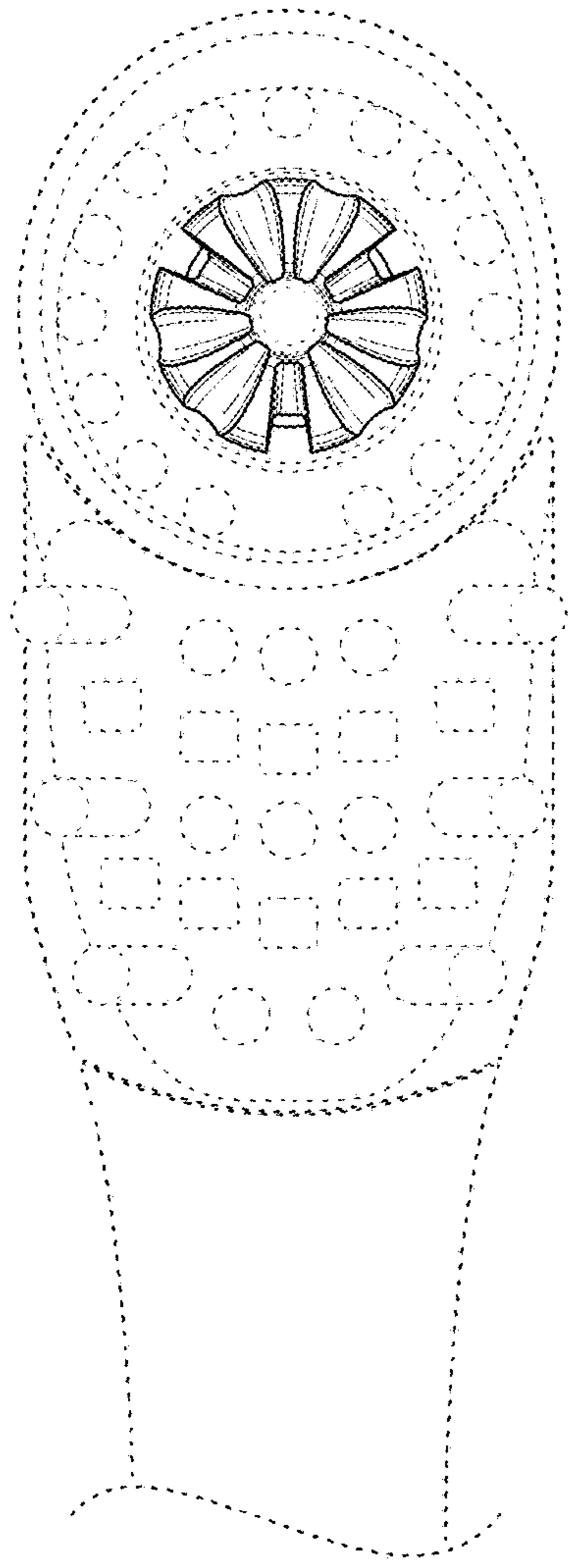


FIG. 3

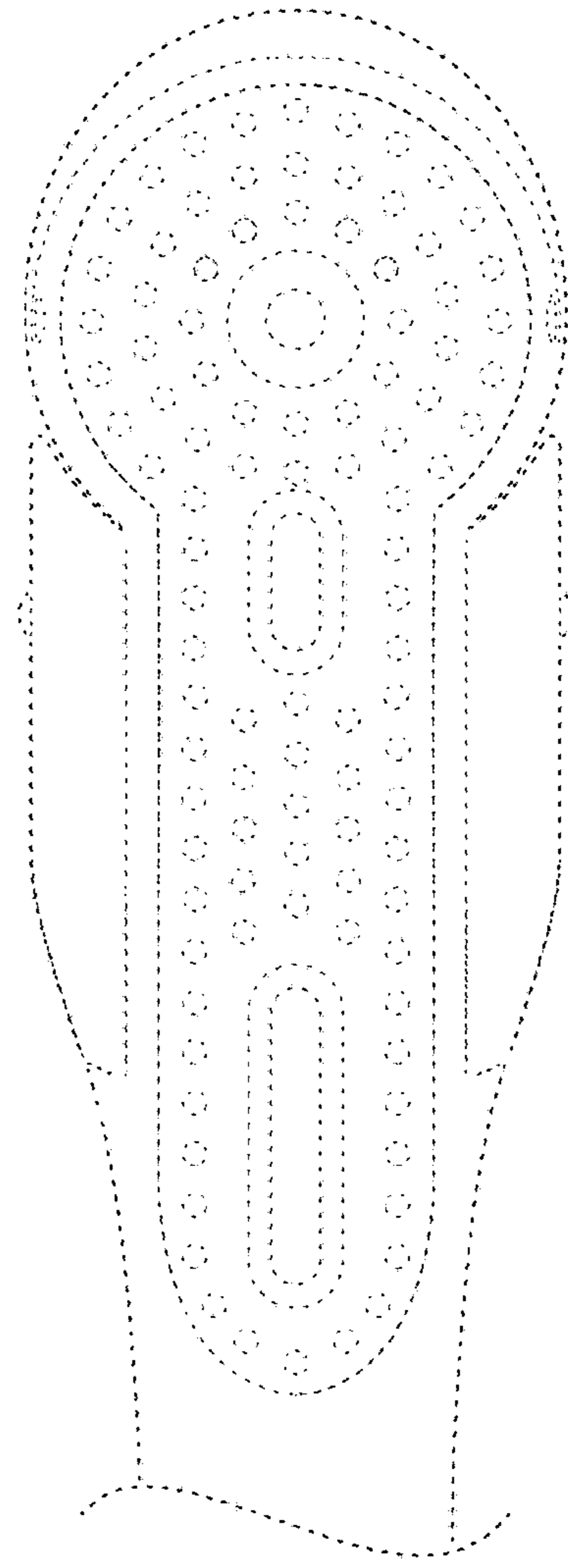


FIG. 4

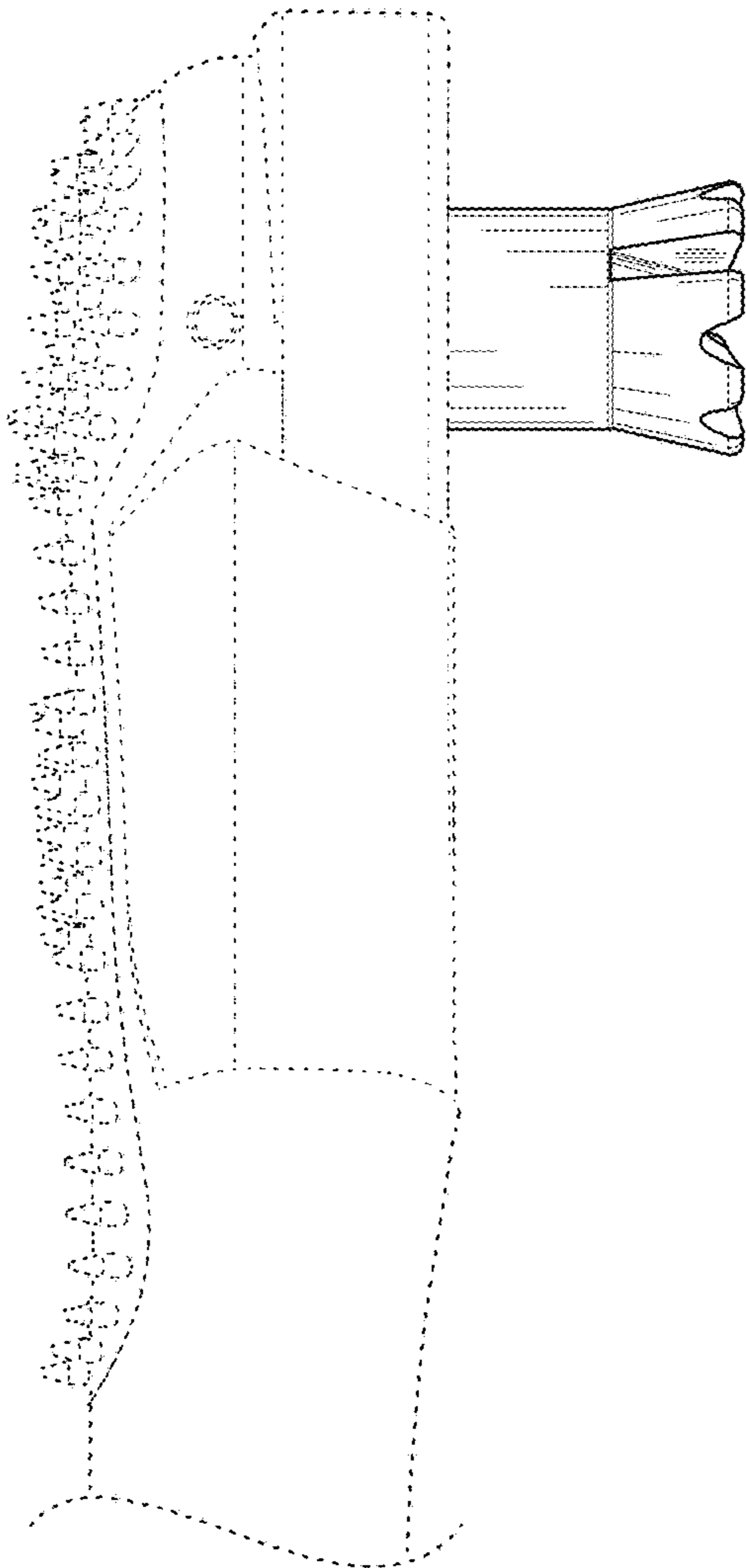


FIG. 5

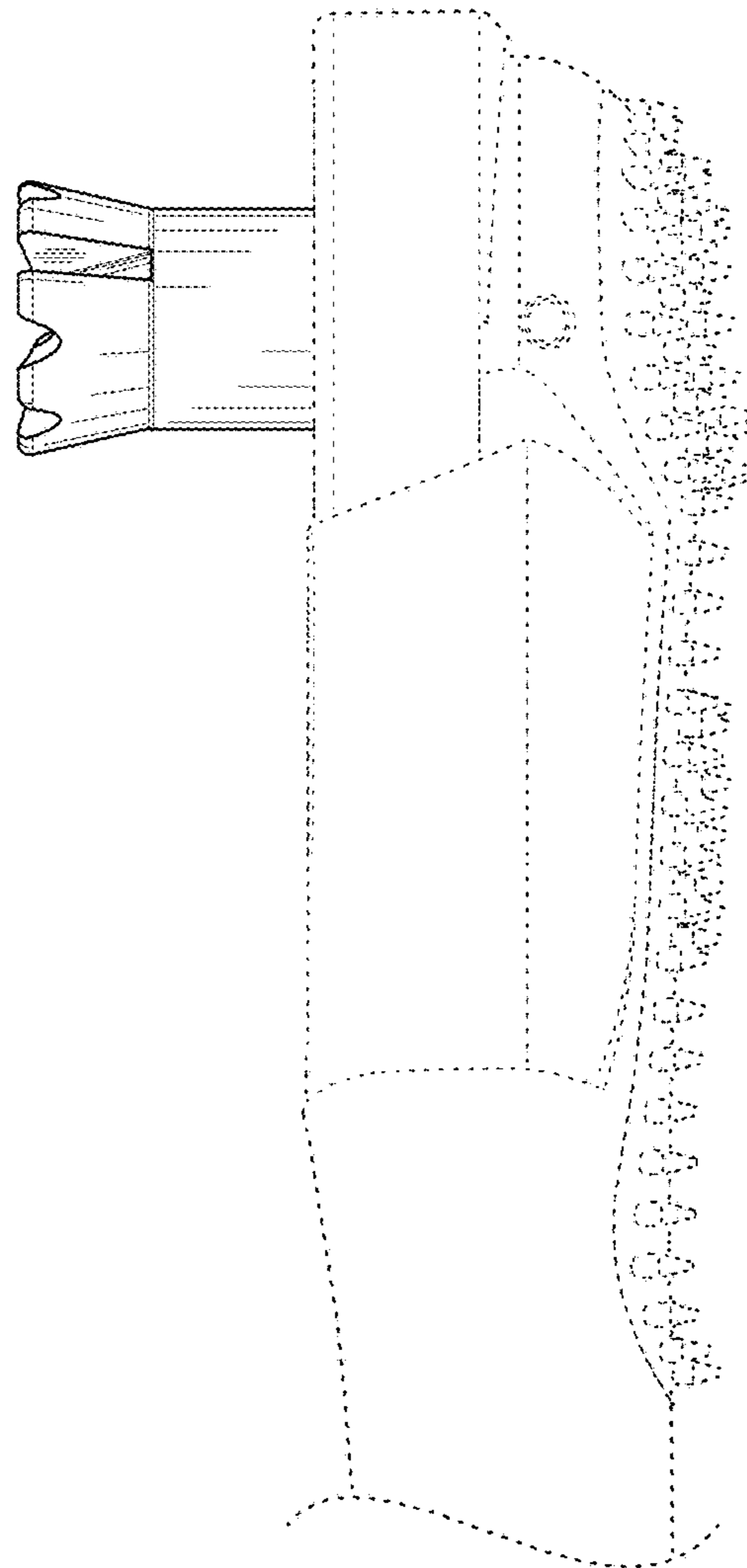


FIG. 6

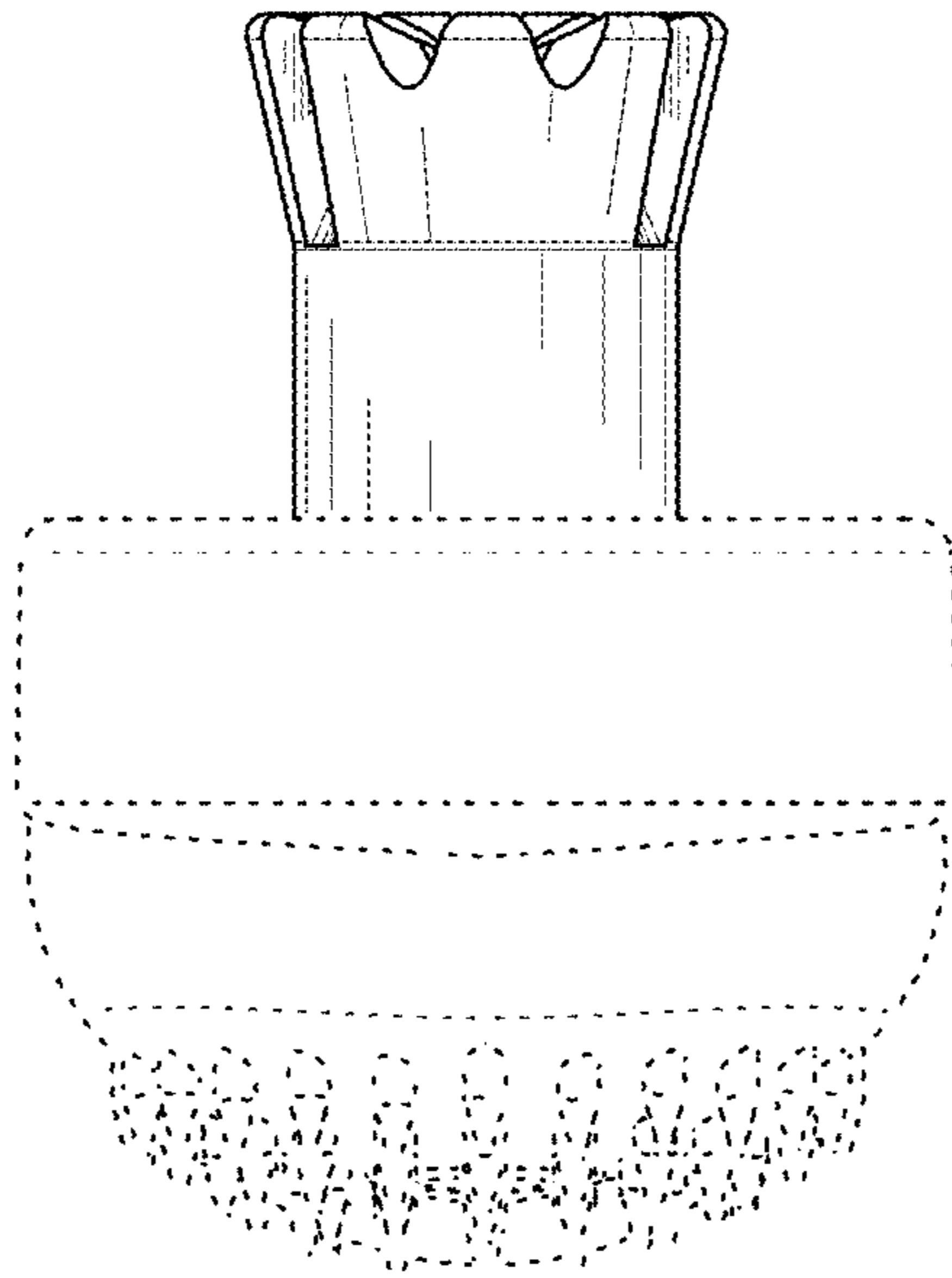


FIG. 7

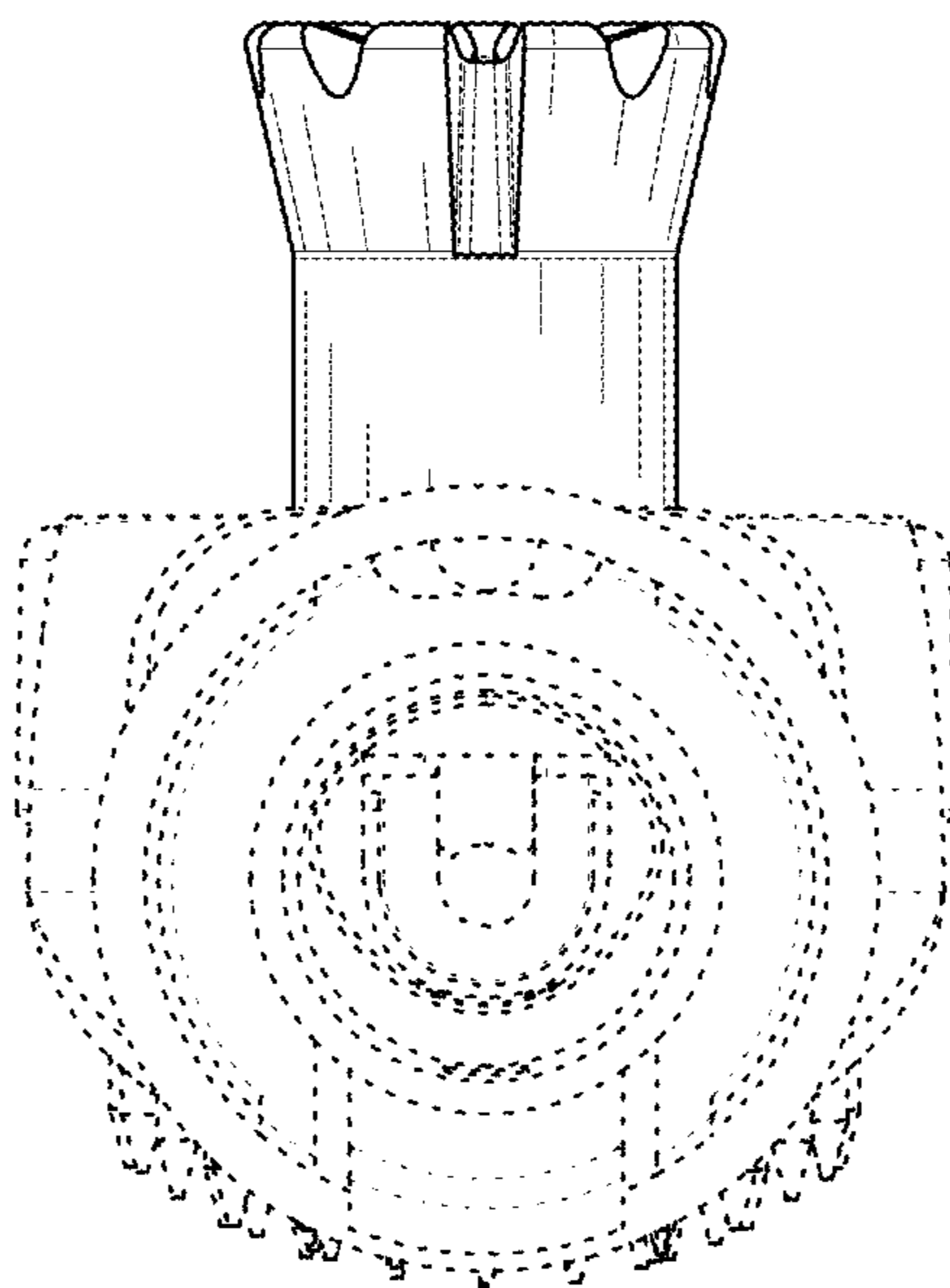


FIG. 8

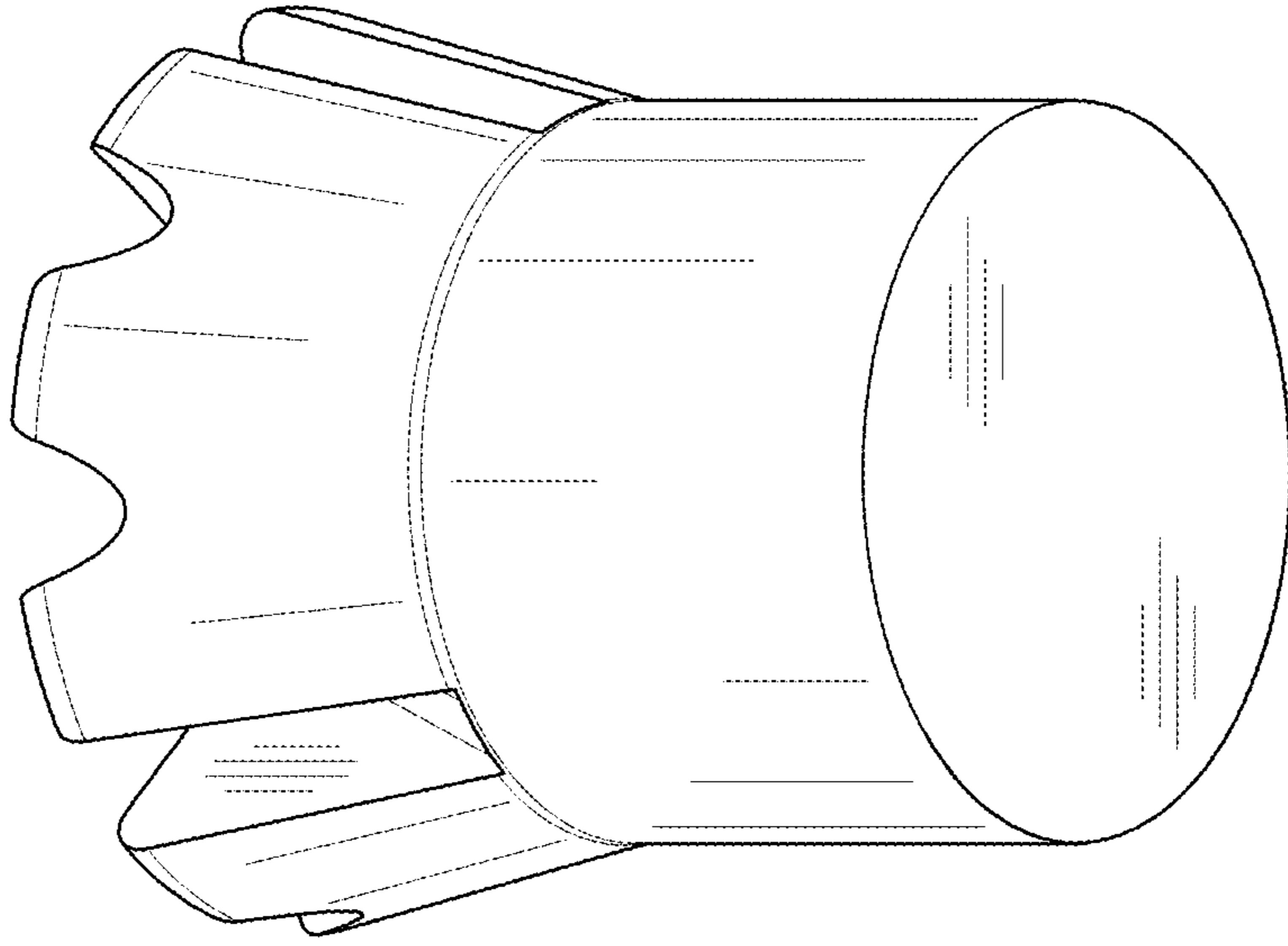


FIG. 9

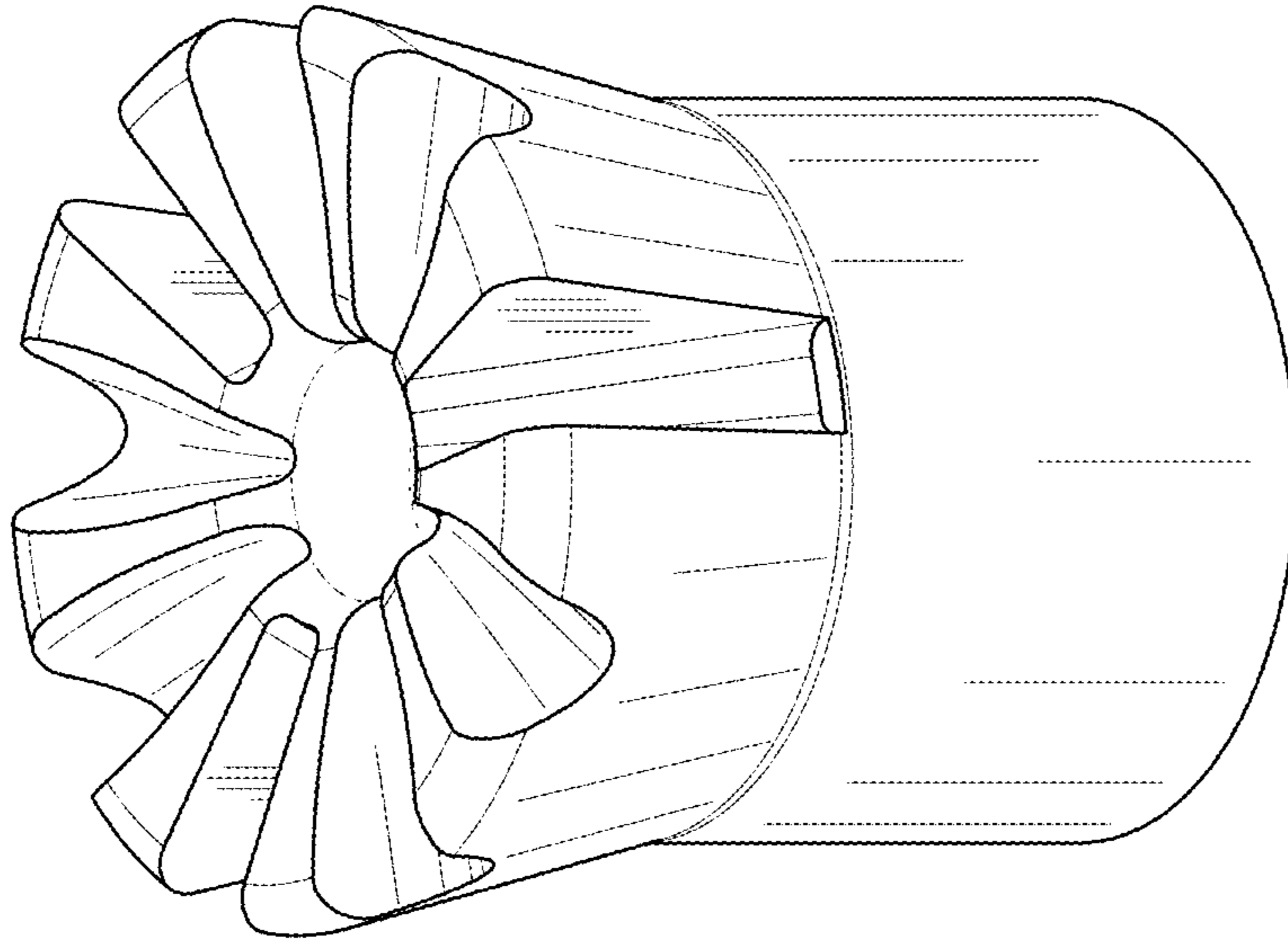


FIG. 10



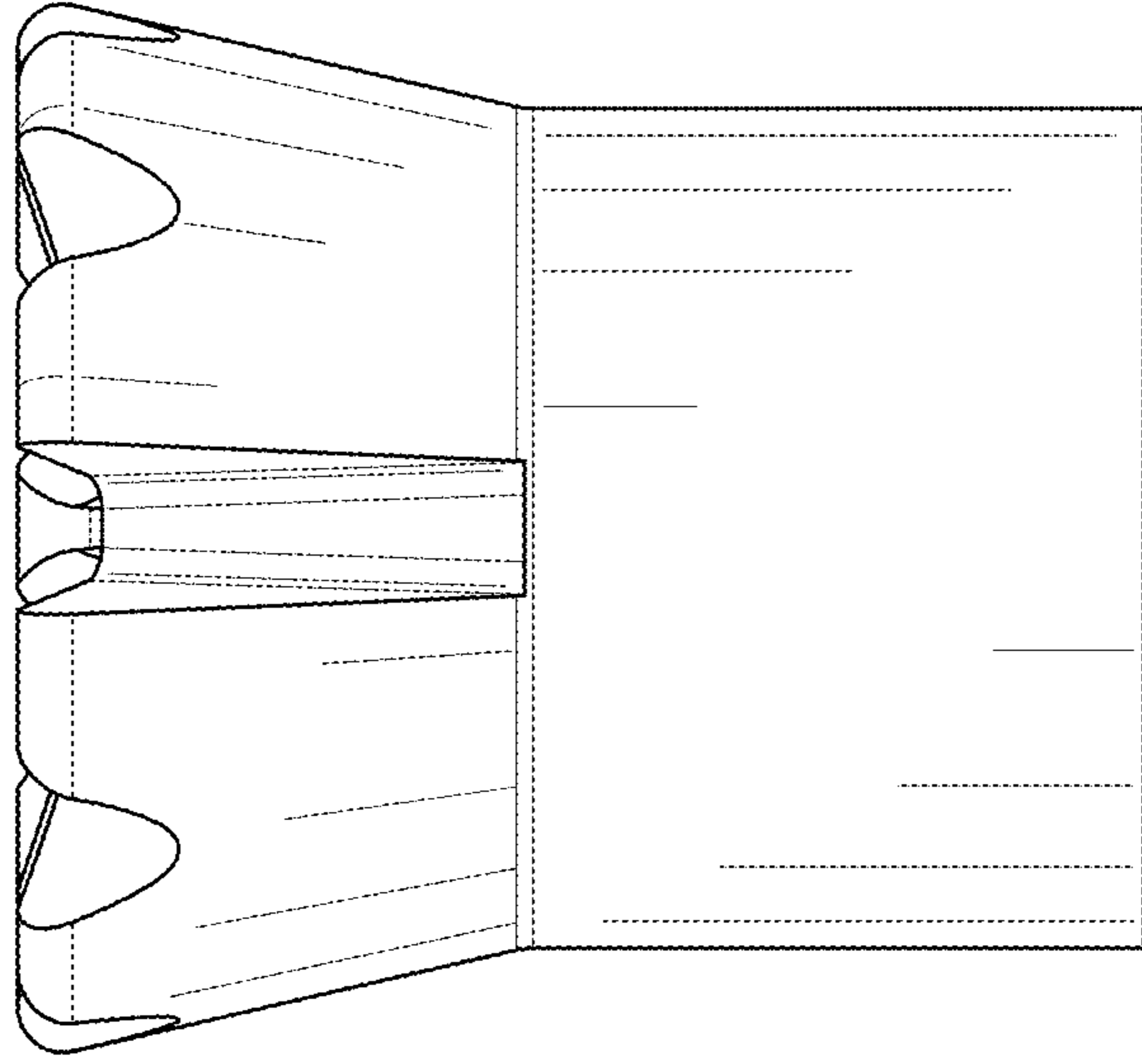


FIG. 11

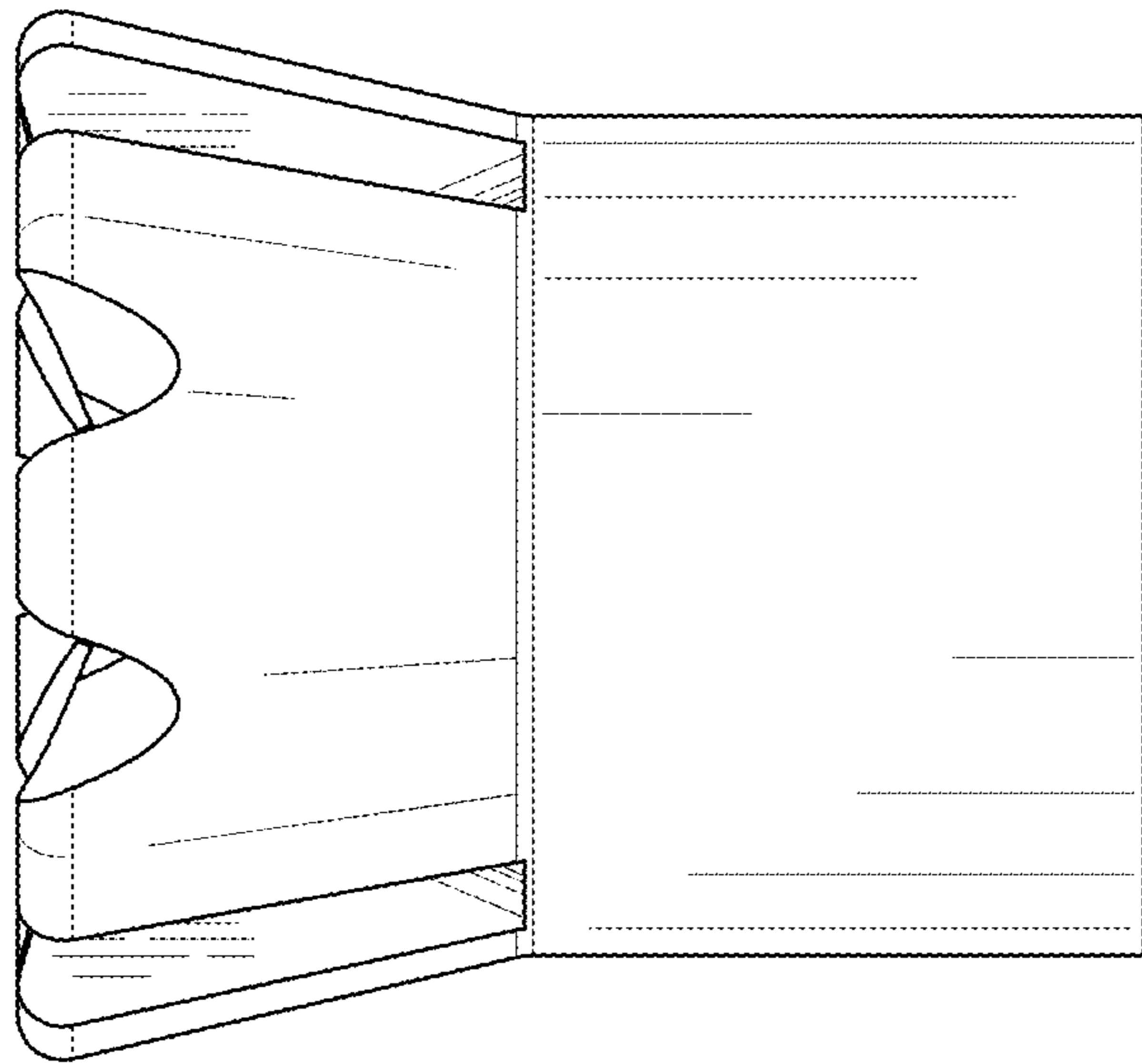


FIG. 12

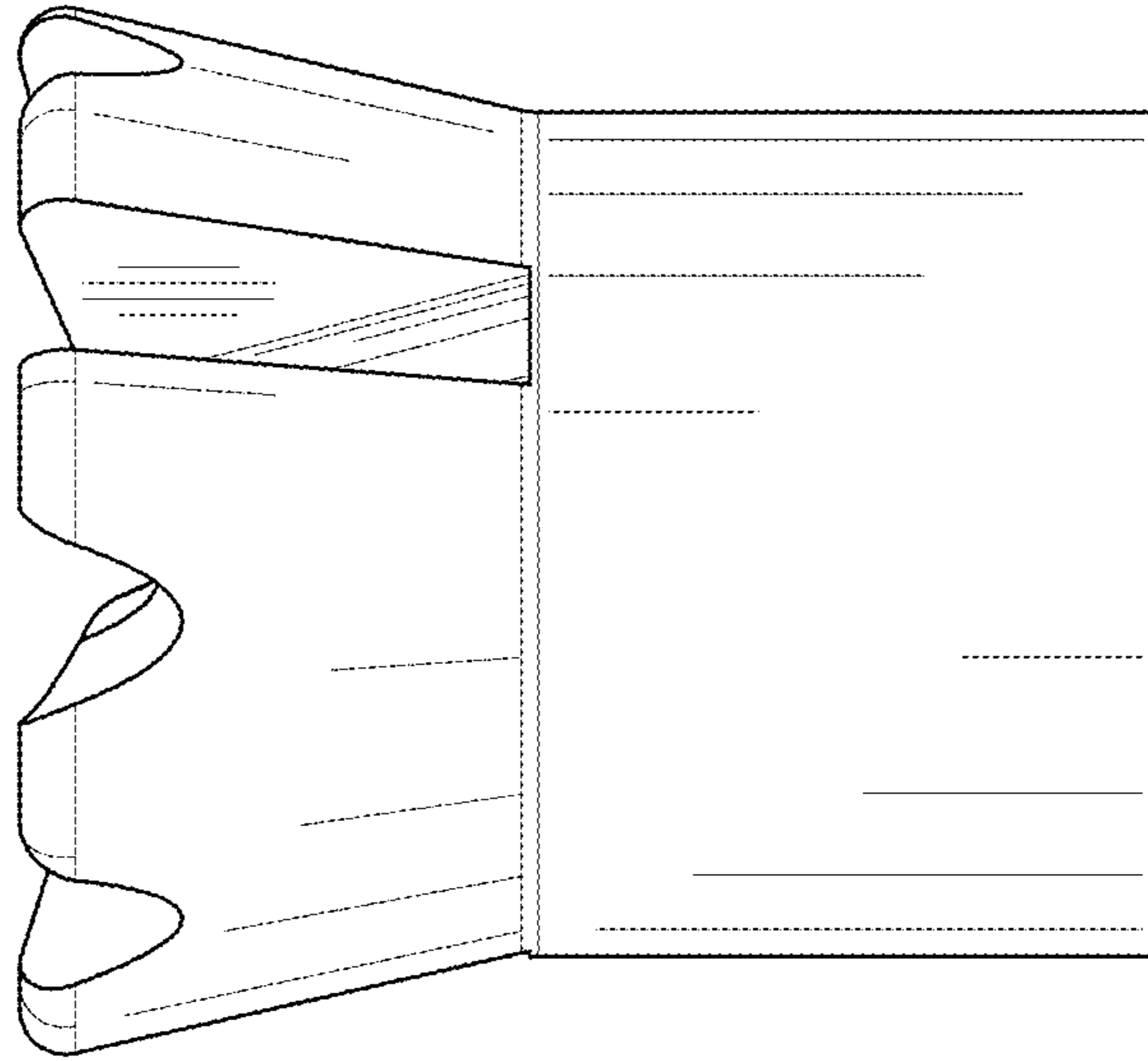


FIG. 13

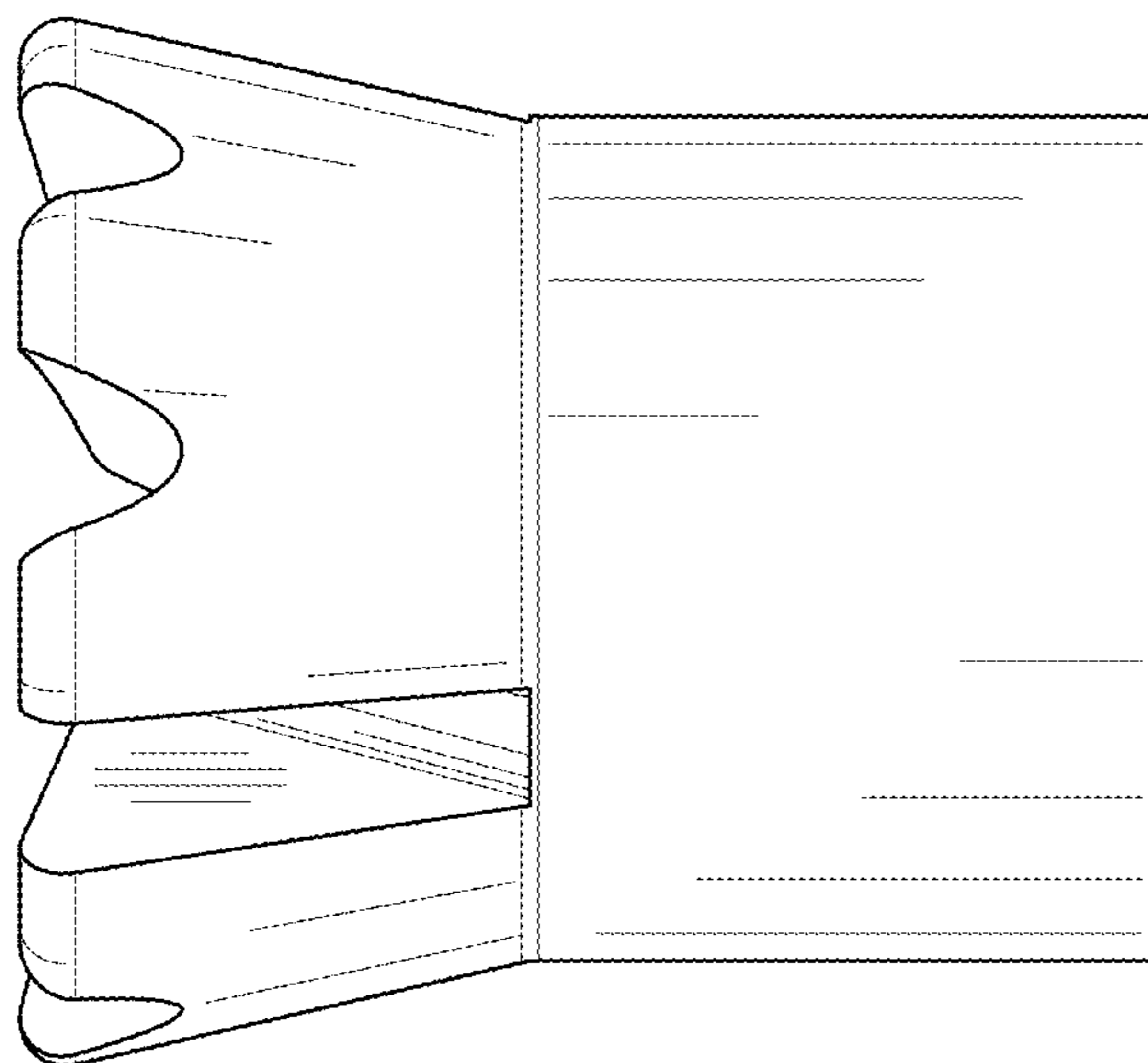


FIG. 14

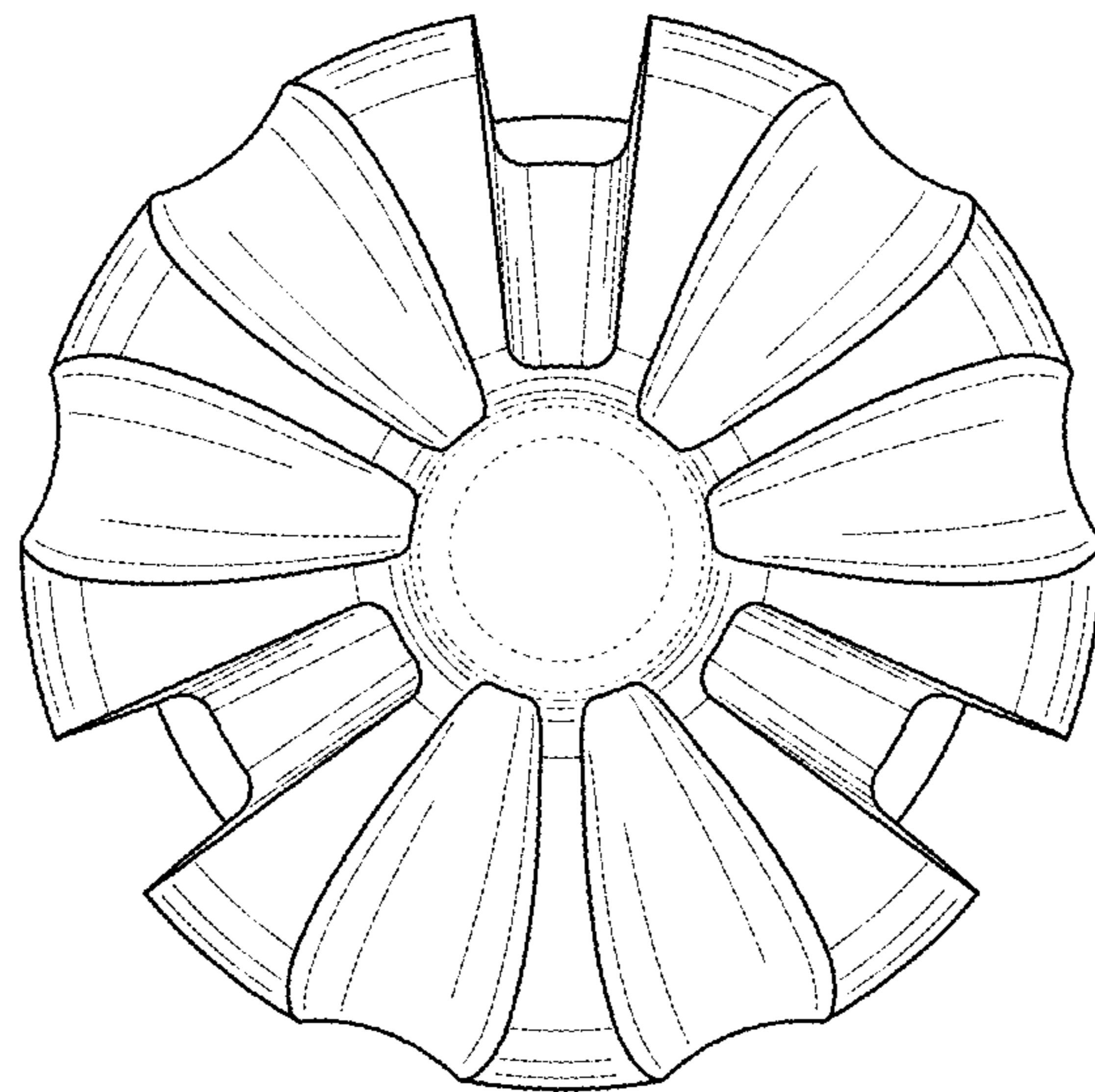


FIG. 15

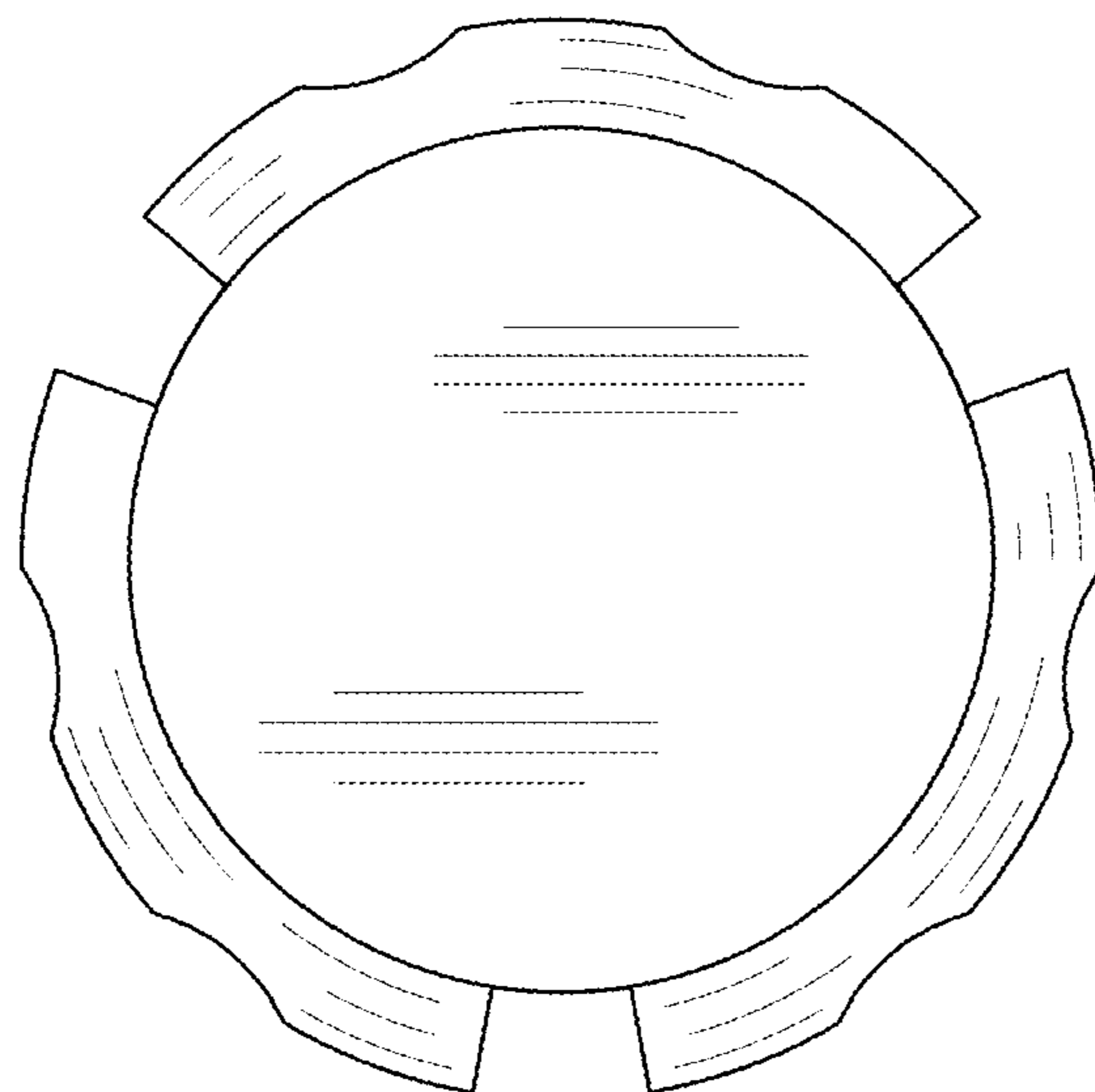


FIG. 16