



US00D846284S

(12) **United States Design Patent** (10) **Patent No.:** **US D846,284 S**  
**Labey** (45) **Date of Patent:** **\*\* Apr. 23, 2019**

(54) **BAG**  
(71) Applicant: **BERLUTI**, Paris (FR)  
(72) Inventor: **Pierre-Yves Labey**, Paris (FR)  
(73) Assignee: **BERLUTI**, Paris (FR)  
(\*\*) Term: **15 Years**  
(21) Appl. No.: **29/634,324**  
(22) Filed: **Jan. 19, 2018**

*Primary Examiner* — Holly H Baynham  
(74) *Attorney, Agent, or Firm* — Finnegan, Henderson, Farabow, Garrett & Dunner LLP

(57) **CLAIM**

The ornamental design for a bag, as shown and described.

**DESCRIPTION**

(30) **Foreign Application Priority Data**  
Jul. 21, 2017 (EM) ..... 004115020-0001  
(51) **LOC (11) Cl.** ..... **03-01**  
(52) **U.S. Cl.**  
USPC ..... **D3/318**  
(58) **Field of Classification Search**  
USPC ..... D3/232–233, 240–243, 245–246, 318  
CPC ..... A45C 1/024; A45C 3/06  
See application file for complete search history.

FIG. 1 is a top, front, left perspective view of a bag, showing the new design;  
FIG. 2 is a front elevation view thereof;  
FIG. 3 is a rear elevation view thereof;  
FIG. 4 is a left side view thereof;  
FIG. 5 is a right side view thereof;  
FIG. 6 is a top plan view thereof;  
FIG. 7 is a bottom plan view thereof;  
FIG. 8 is an enlarged top, front, left perspective view of the claimed portion of the bag; and,  
FIG. 9 is an enlarged front elevation view thereof.  
The straight dashed lines of equal length form no part of the claimed design.  
The dashed lines shown in FIGS. 1, 2, 6, 8, and 9 within the claimed area of the design represent stitching and form part of the claimed design.  
The dot-dash lines represent the boundary of the claimed design and form no part thereof.

(56) **References Cited**  
**U.S. PATENT DOCUMENTS**  
D808,173 S \* 1/2018 Seiders ..... D3/318  
D808,174 S \* 1/2018 Seiders ..... D3/318  
D808,175 S \* 1/2018 Seiders ..... D3/318  
D810,441 S \* 2/2018 Elias, II ..... D3/318  
D823,601 S \* 7/2018 Seiders ..... D3/318  
D823,602 S \* 7/2018 Seiders ..... D3/318  
D835,913 S \* 12/2018 Gorham ..... D3/318

\* cited by examiner

**1 Claim, 9 Drawing Sheets**



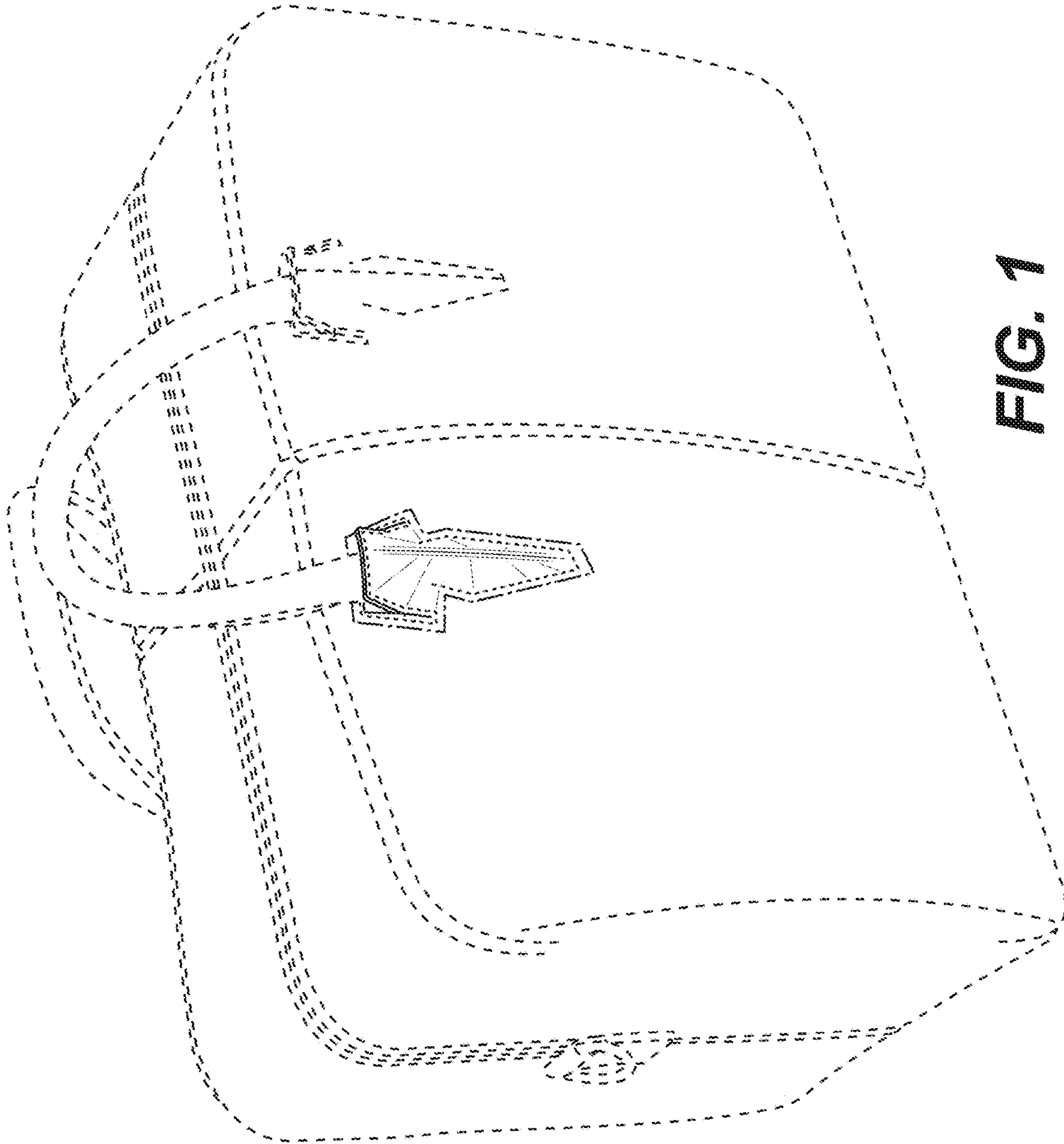
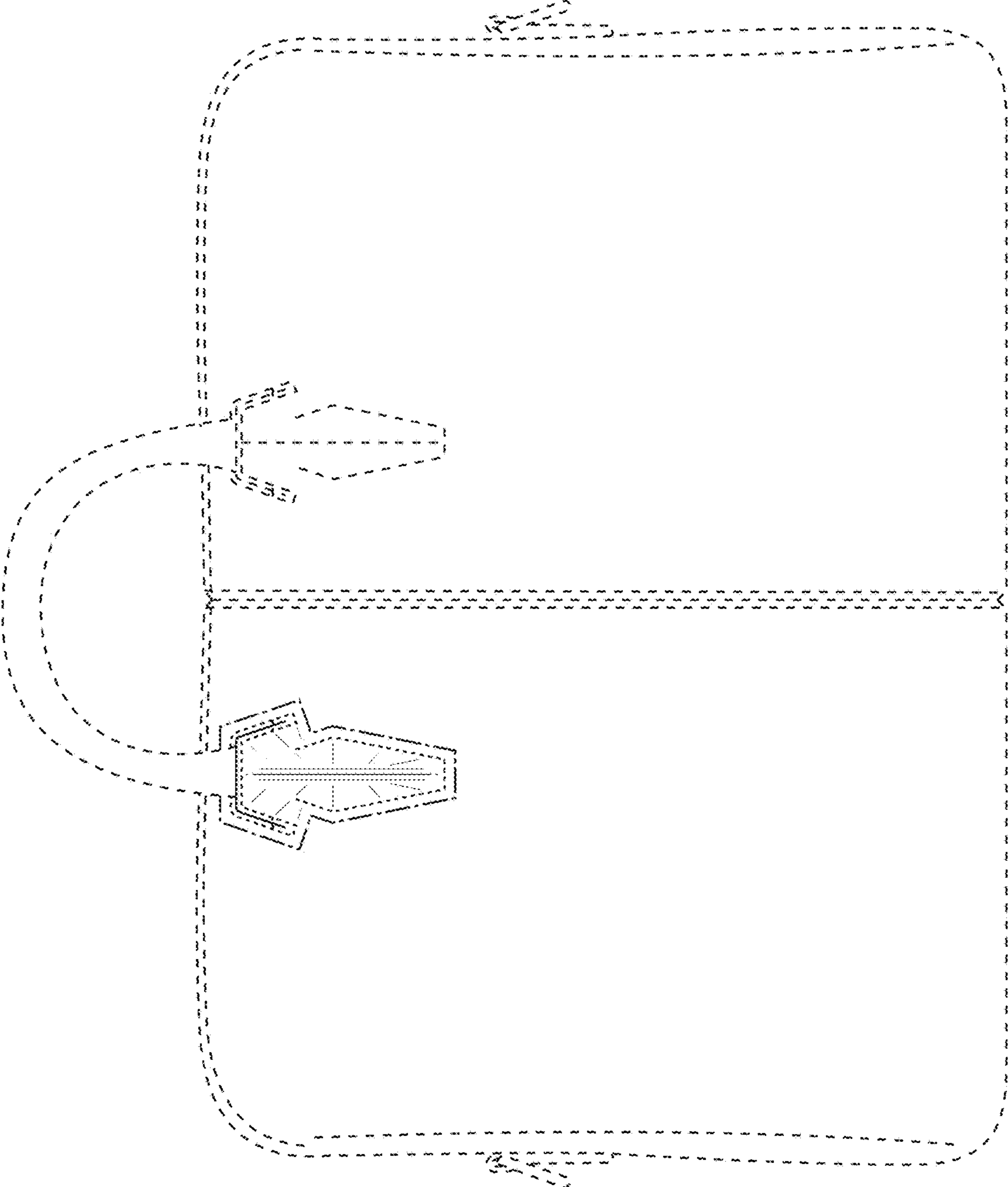


FIG. 1



**FIG. 2**

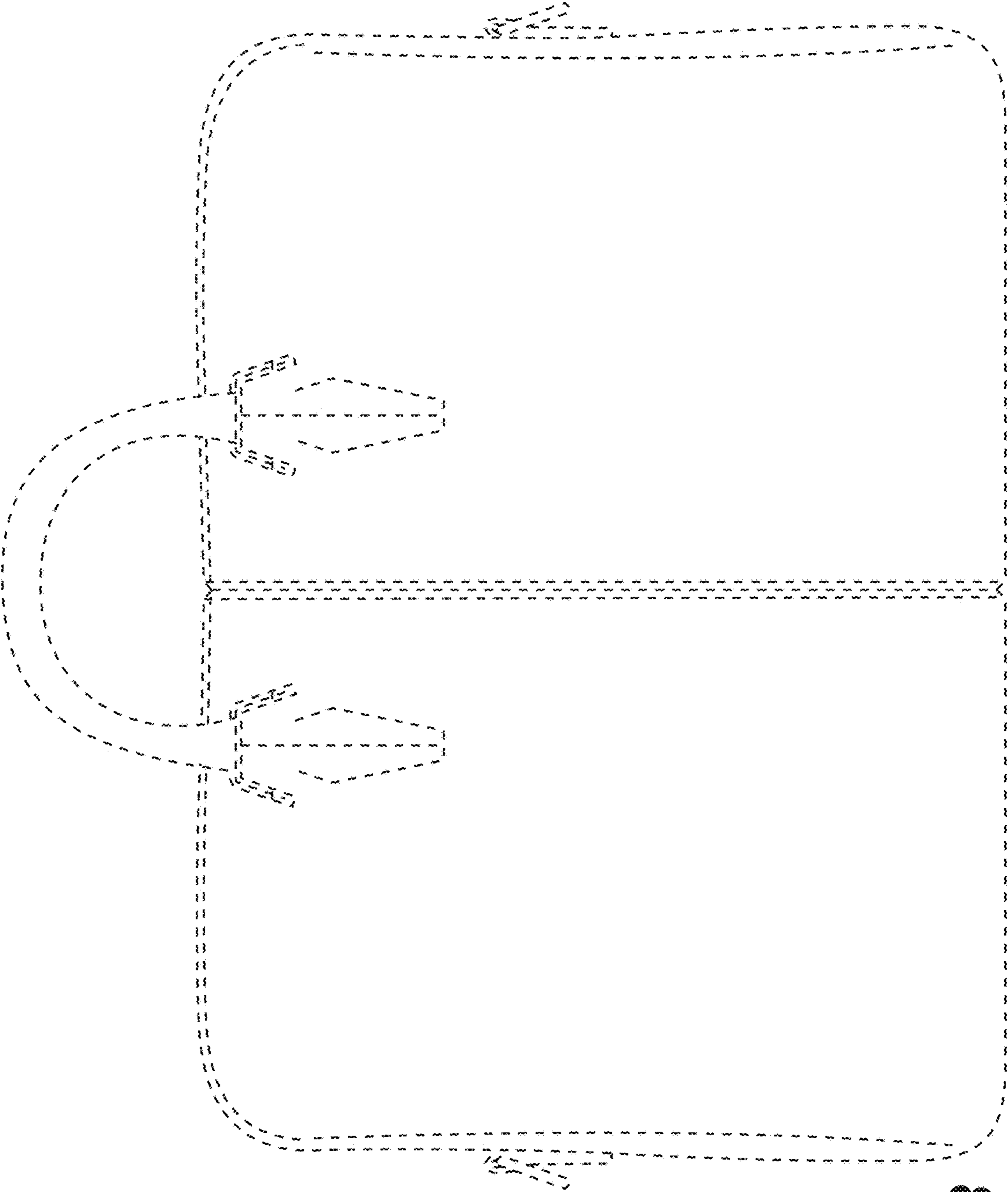
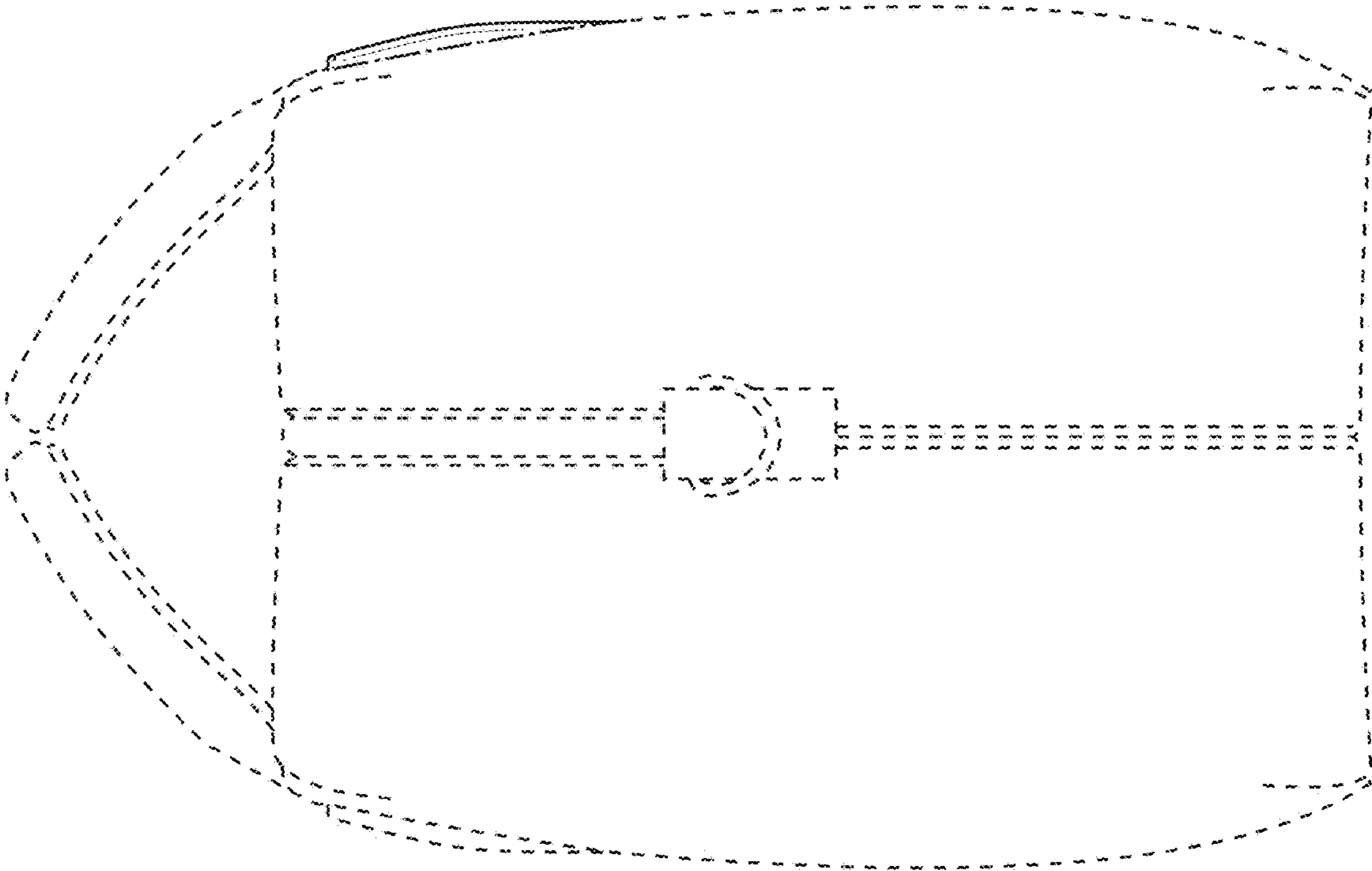
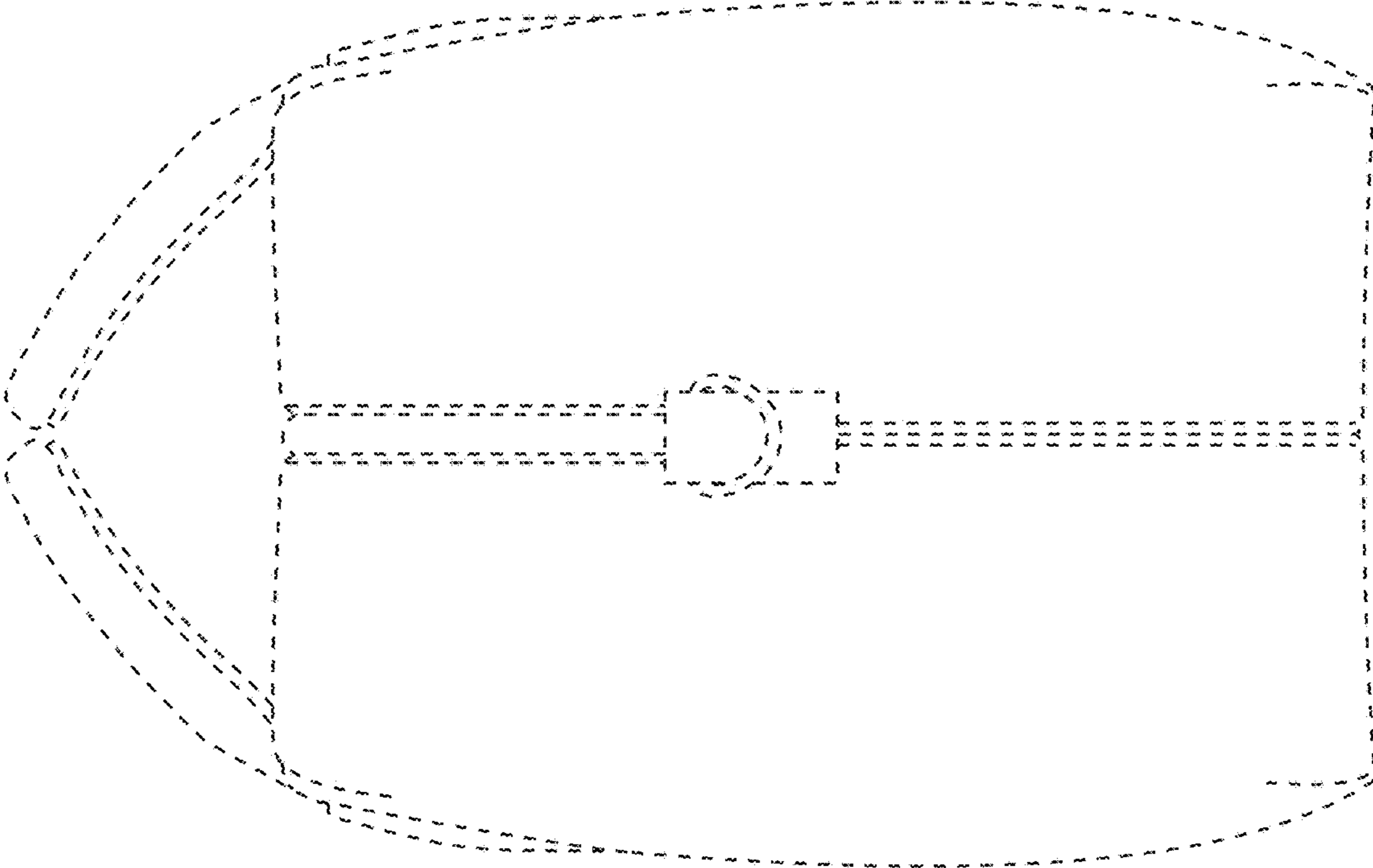


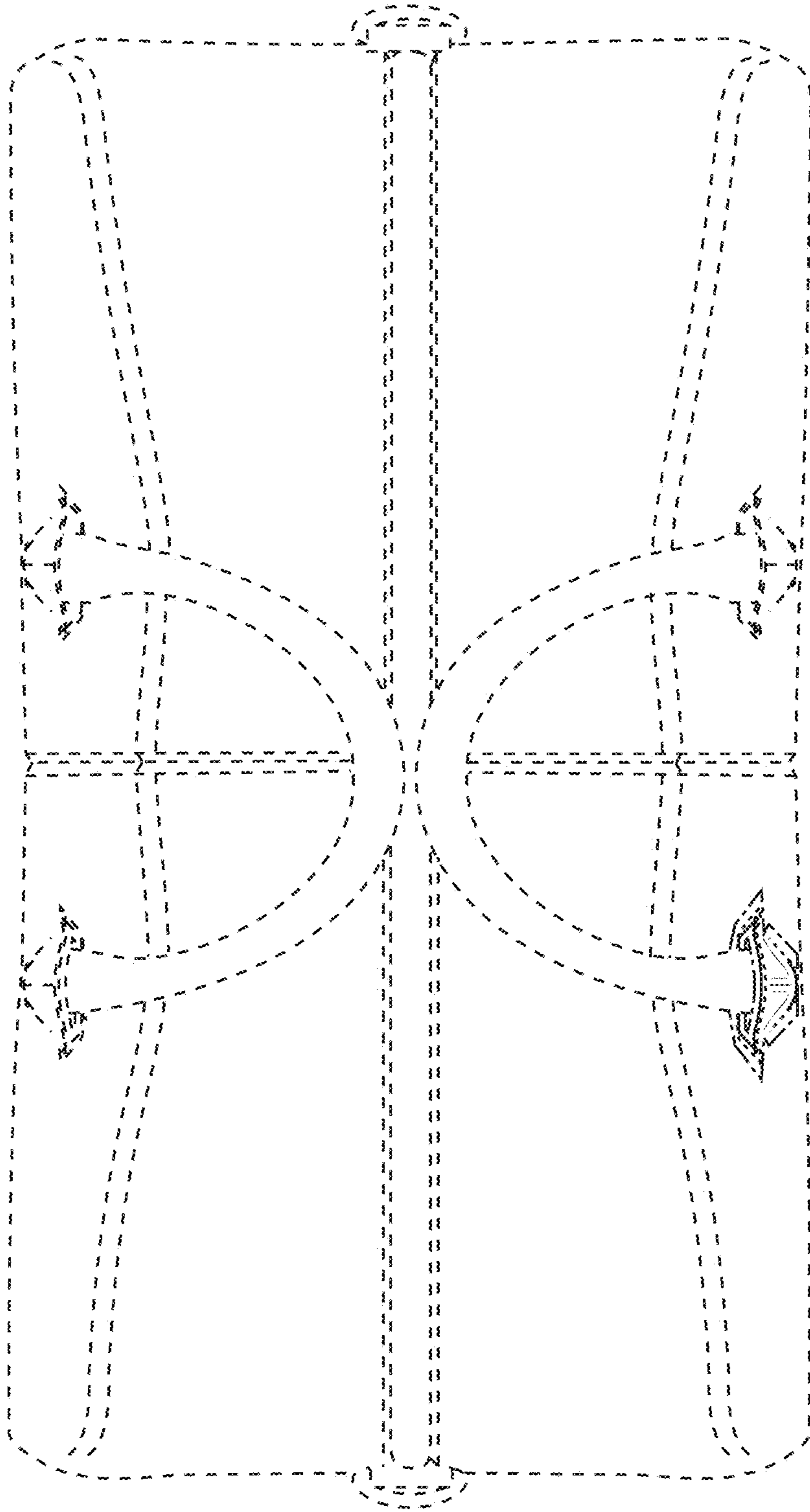
FIG. 3



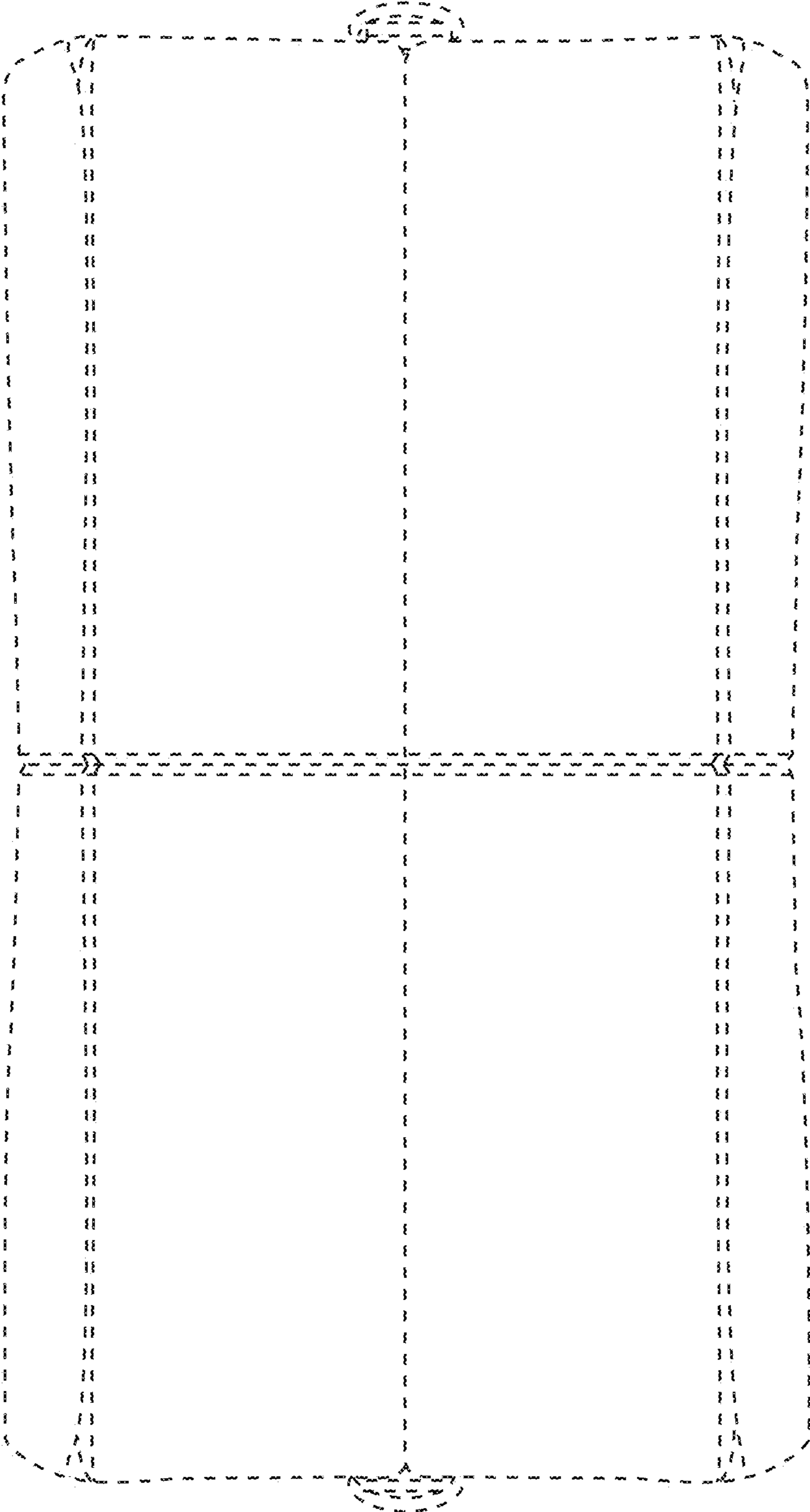
**FIG. 4**



**FIG. 5**

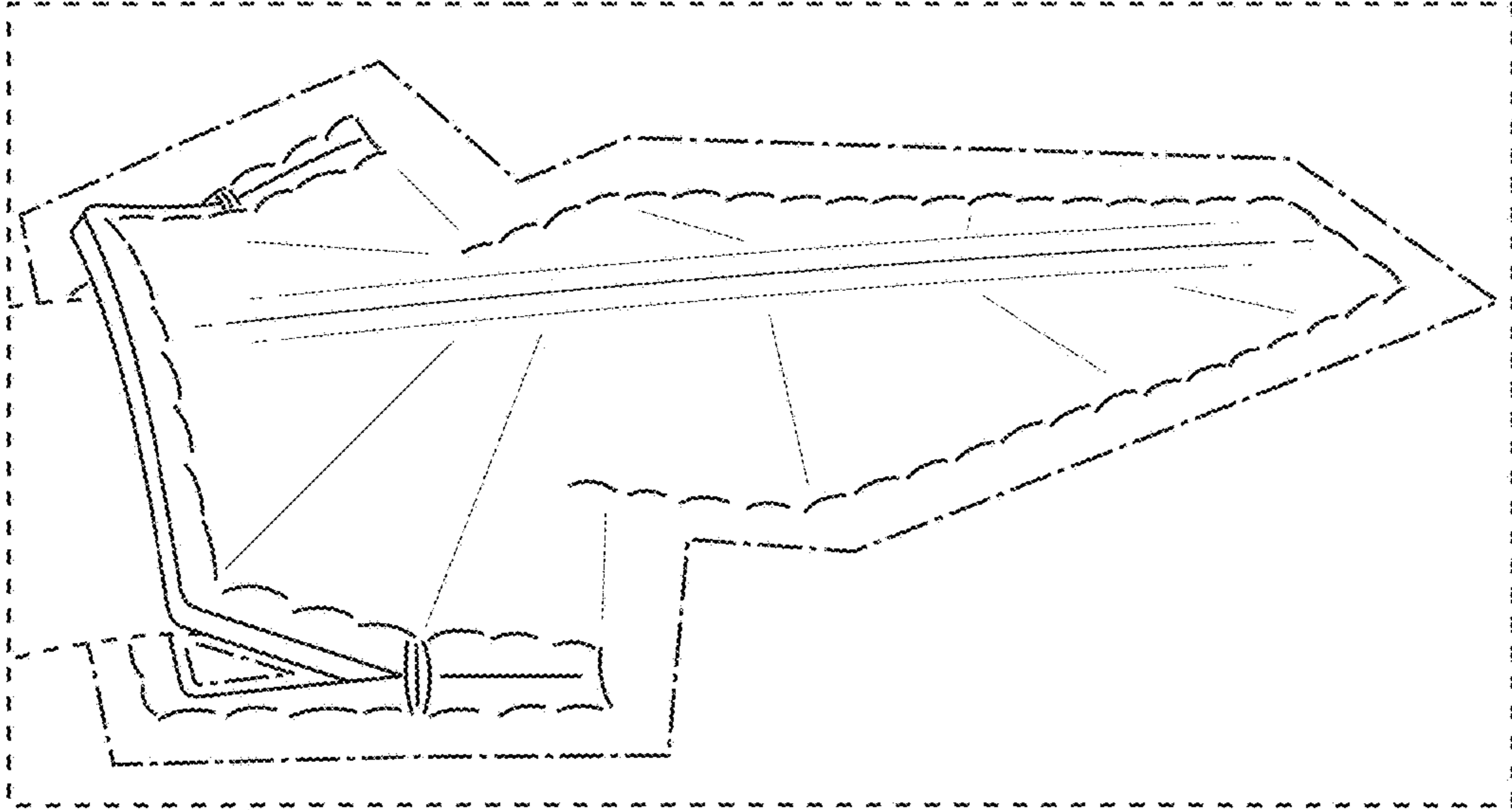


**FIG. 6**

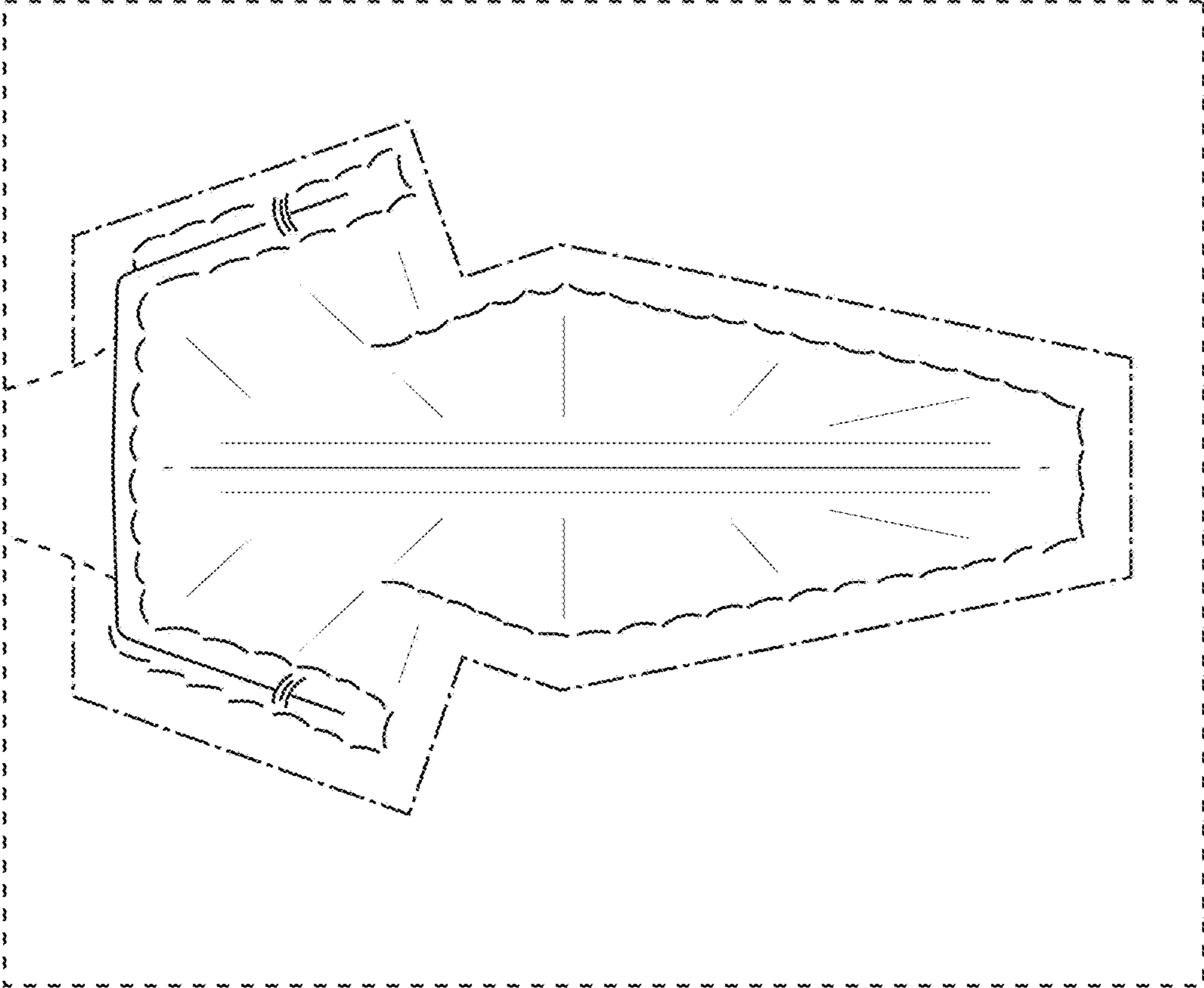


**FIG. 7**





**FIG. 8**



**FIG. 9**