

US00D846283S

(12) **United States Design Patent** (10) **Patent No.:** **US D846,283 S**
Blaser (45) **Date of Patent:** **** Apr. 23, 2019**

- (54) **WATERPROOF PURSE COVER**
- (71) Applicant: **Holly M. Blaser**, Maple Grove, MN (US)
- (72) Inventor: **Holly M. Blaser**, Maple Grove, MN (US)
- (**) Term: **15 Years**
- (21) Appl. No.: **29/612,767**
- (22) Filed: **Aug. 3, 2017**
- (51) **LOC (11) Cl.** **03-01**
- (52) **U.S. Cl.**
USPC **D3/318**
- (58) **Field of Classification Search**
USPC D3/213–217, 222, 229–234, 239, 318
CPC .. A45C 1/024; A45C 3/06; A45C 3/08; A45C 1/06; A45C 1/00; A45C 2003/007; A45C 3/10; A45C 5/00; A45C 5/03; A45C 7/00; A45C 9/00; A45C 11/20; A45C 13/008
See application file for complete search history.

(56) **References Cited**

U.S. PATENT DOCUMENTS

4,186,786	A	*	2/1980	Kirkpatrick	B65D 33/255
						383/63
D265,149	S	*	6/1982	Romano	D3/303
D344,407	S	*	2/1994	Derrickson	D3/245
D471,437	S	*	3/2003	Ichikawa	D9/709
D476,809	S	*	7/2003	Ko	D3/232
D483,181	S	*	12/2003	Evans	D3/318
D505,299	S	*	5/2005	Saint Georges	D3/232
D541,667	S	*	5/2007	Pokusa	D9/709
D555,895	S	*	11/2007	Lalier	D3/205
D564,218	S	*	3/2008	Bagus	D3/205
D567,668	S	*	4/2008	Lin	D9/707
D606,756	S	*	12/2009	Johnson	D3/318
D615,759	S	*	5/2010	Evans	D3/318

D621,610	S	*	8/2010	Parsley	D3/232
D624,752	S	*	10/2010	Fried	D3/276
D658,380	S	*	5/2012	Divita	D3/318
D672,550	S	*	12/2012	Gavrieli	D3/232
D675,819	S	*	2/2013	Cyterski	D3/232
D705,541	S	*	5/2014	Harris	D3/318
D709,702	S	*	7/2014	Coleman	D3/303
D719,354	S	*	12/2014	Yu	D3/318
D747,219	S	*	1/2016	Yu	D9/709
D754,438	S	*	4/2016	Sarner	D3/318
D765,391	S	*	9/2016	Dybdahl	D3/205
D778,613	S	*	2/2017	Custer	D3/318

* cited by examiner

Primary Examiner — Holly H Baynham

(74) *Attorney, Agent, or Firm* — Dykema Gossett PLLC

(57) **CLAIM**

The ornamental design for a waterproof purse cover, as shown and described.

DESCRIPTION

FIG. 1 is an isometric view of a waterproof purse cover according to the present invention.

FIG. 2 is a front elevational view of the waterproof purse cover depicted in FIG. 1.

FIG. 3 is a top plan view of the waterproof purse cover depicted in FIG. 1.

FIG. 4 is a back elevational view of the waterproof purse cover depicted in FIG. 1.

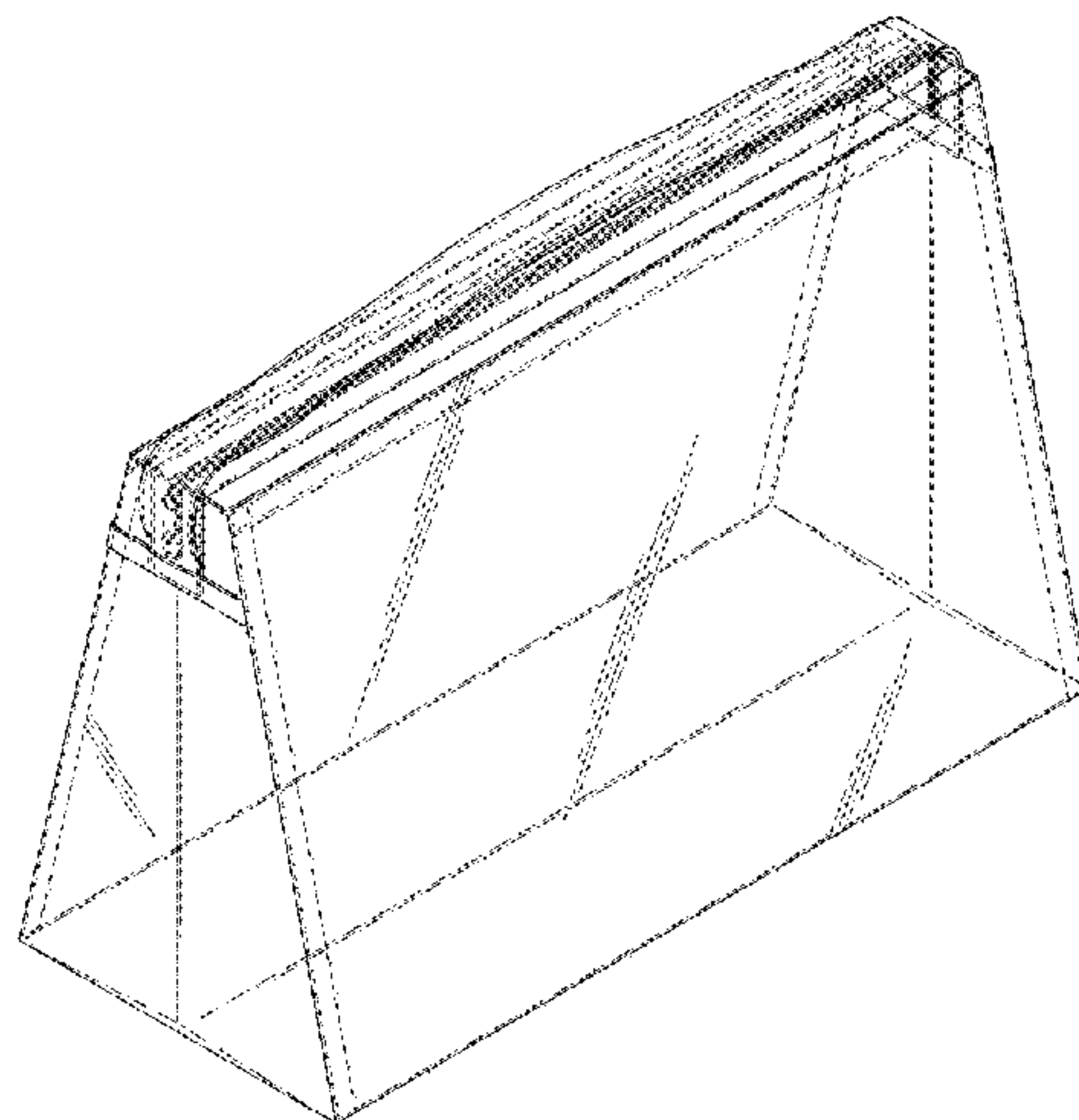
FIG. 5 is a bottom plan view of waterproof purse cover depicted in FIG. 1.

FIG. 6 is a left side elevational view of waterproof purse cover depicted in FIG. 1; and,

FIG. 7 is a right side elevational view of waterproof purse cover depicted in FIG. 1.

The broken lines visible on the surface of the Waterproof Purse Cover represent claimed stitching.

1 Claim, 3 Drawing Sheets



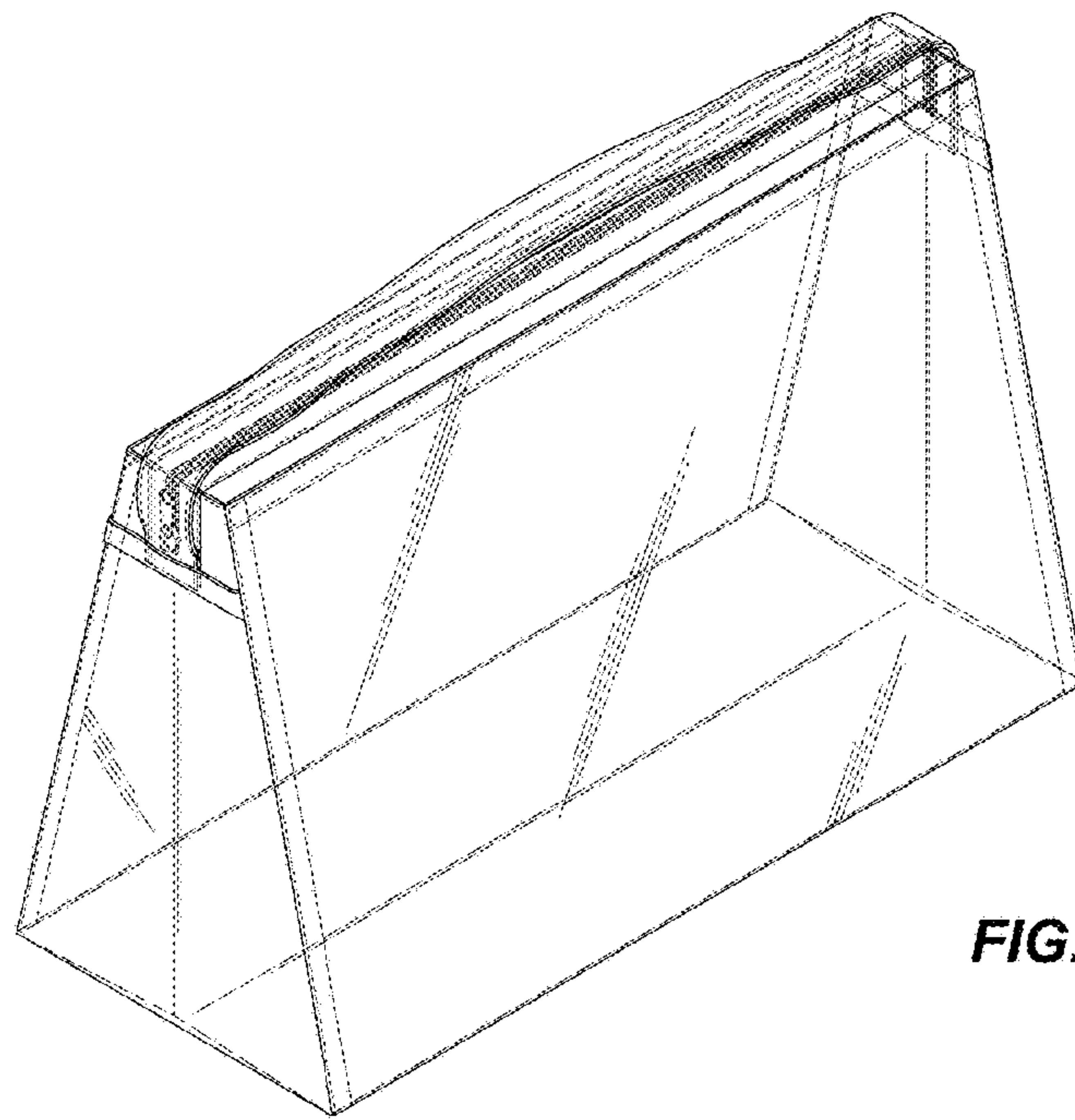


FIG. 1

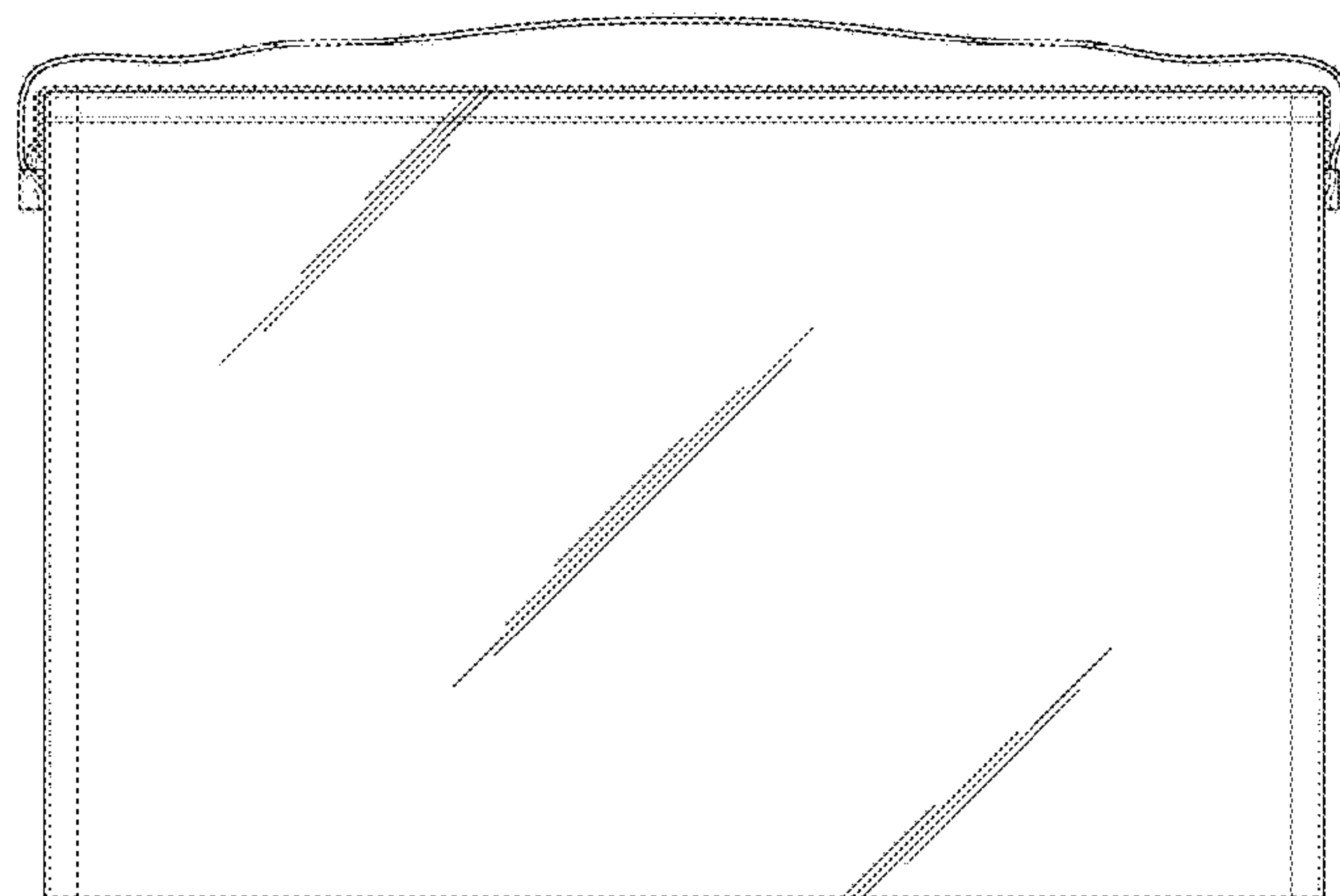


FIG. 2

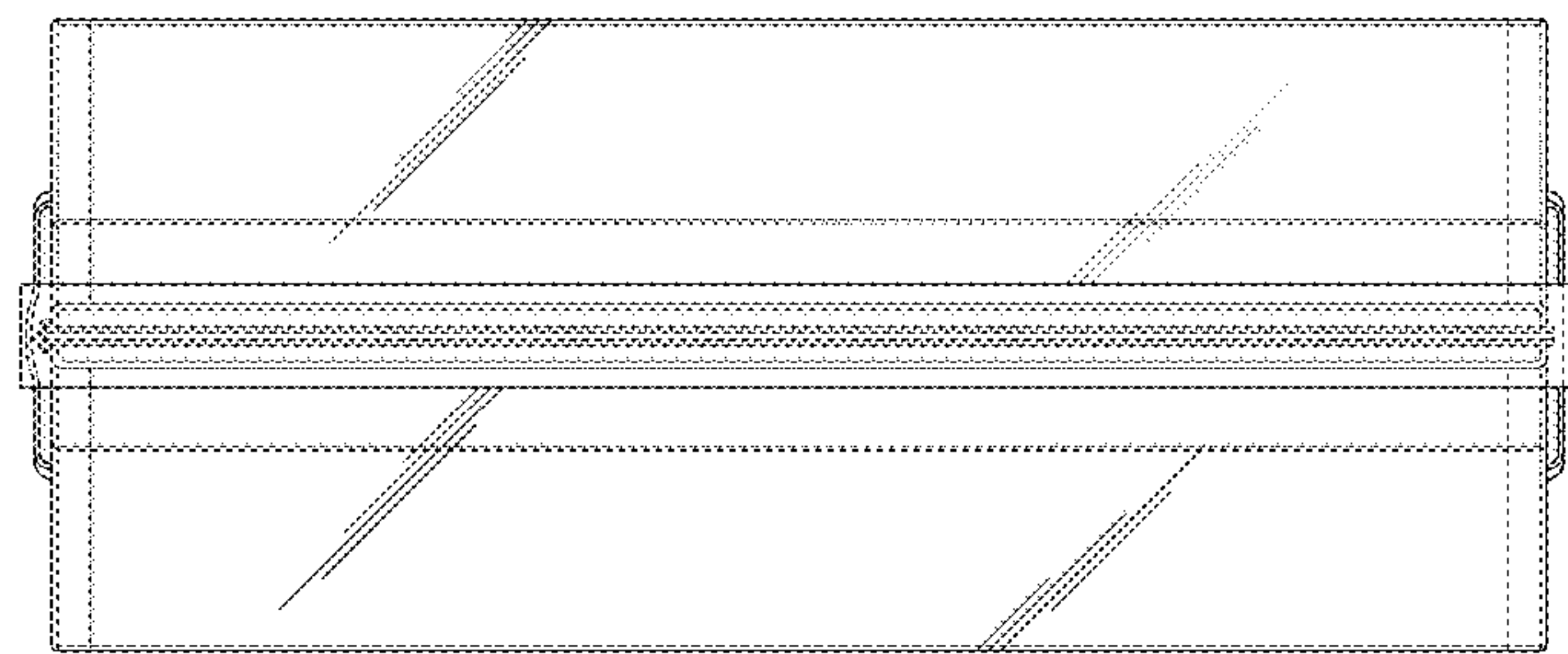


FIG. 3

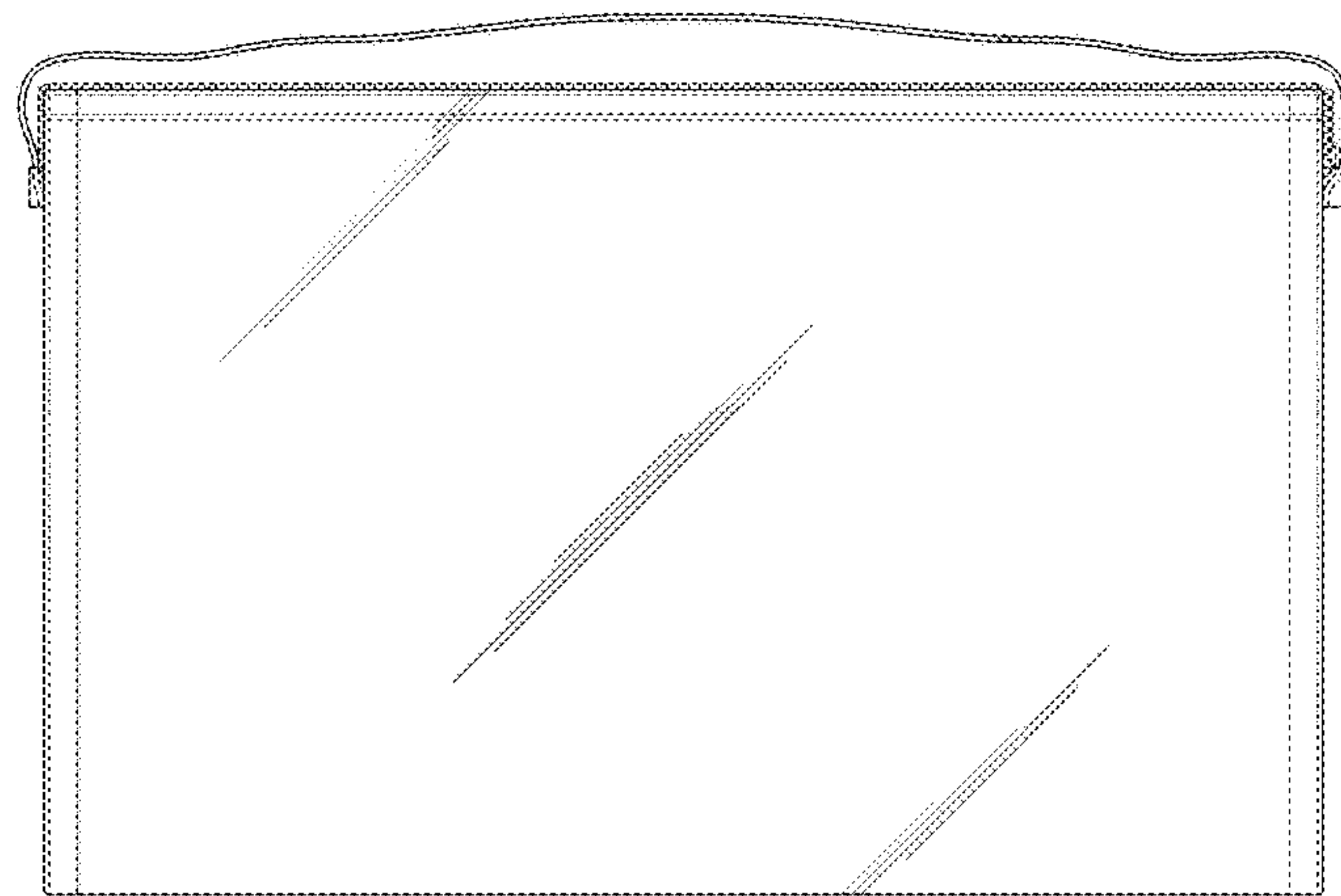


FIG. 4

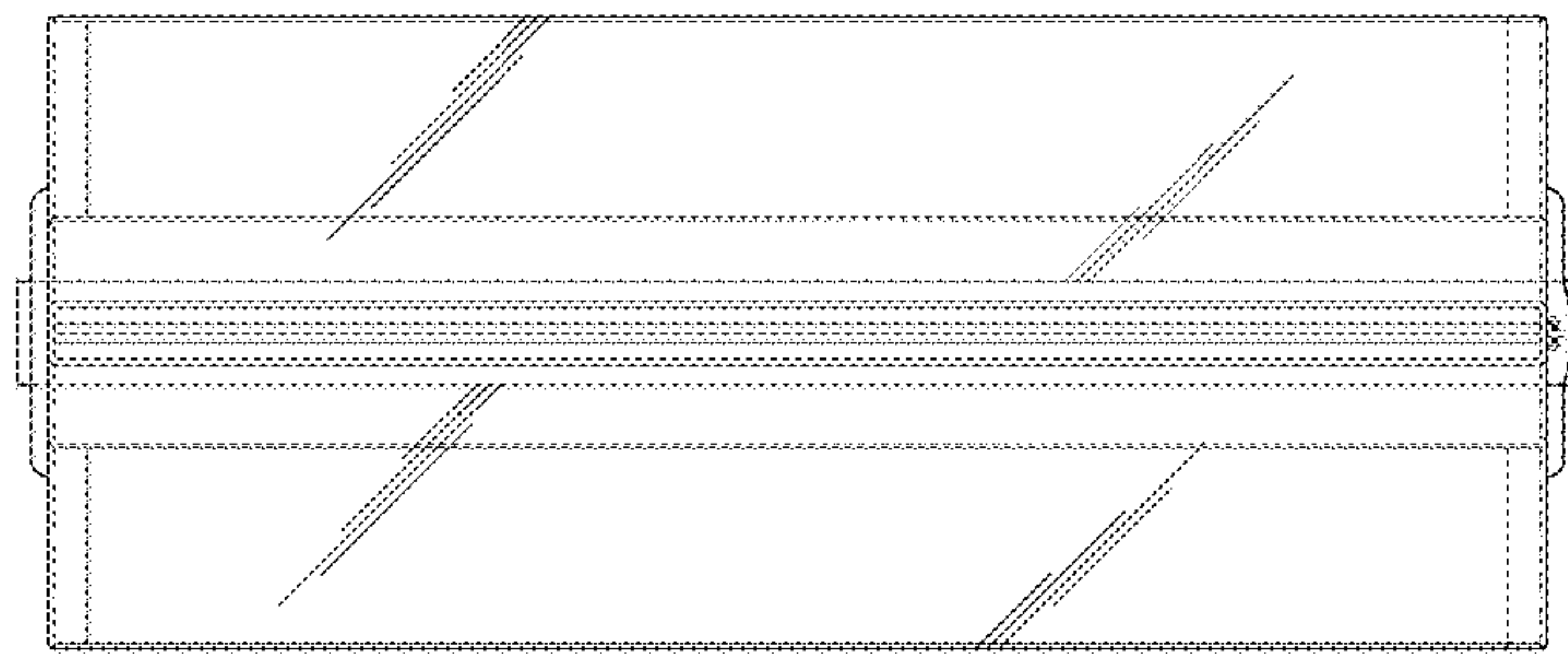


FIG. 5

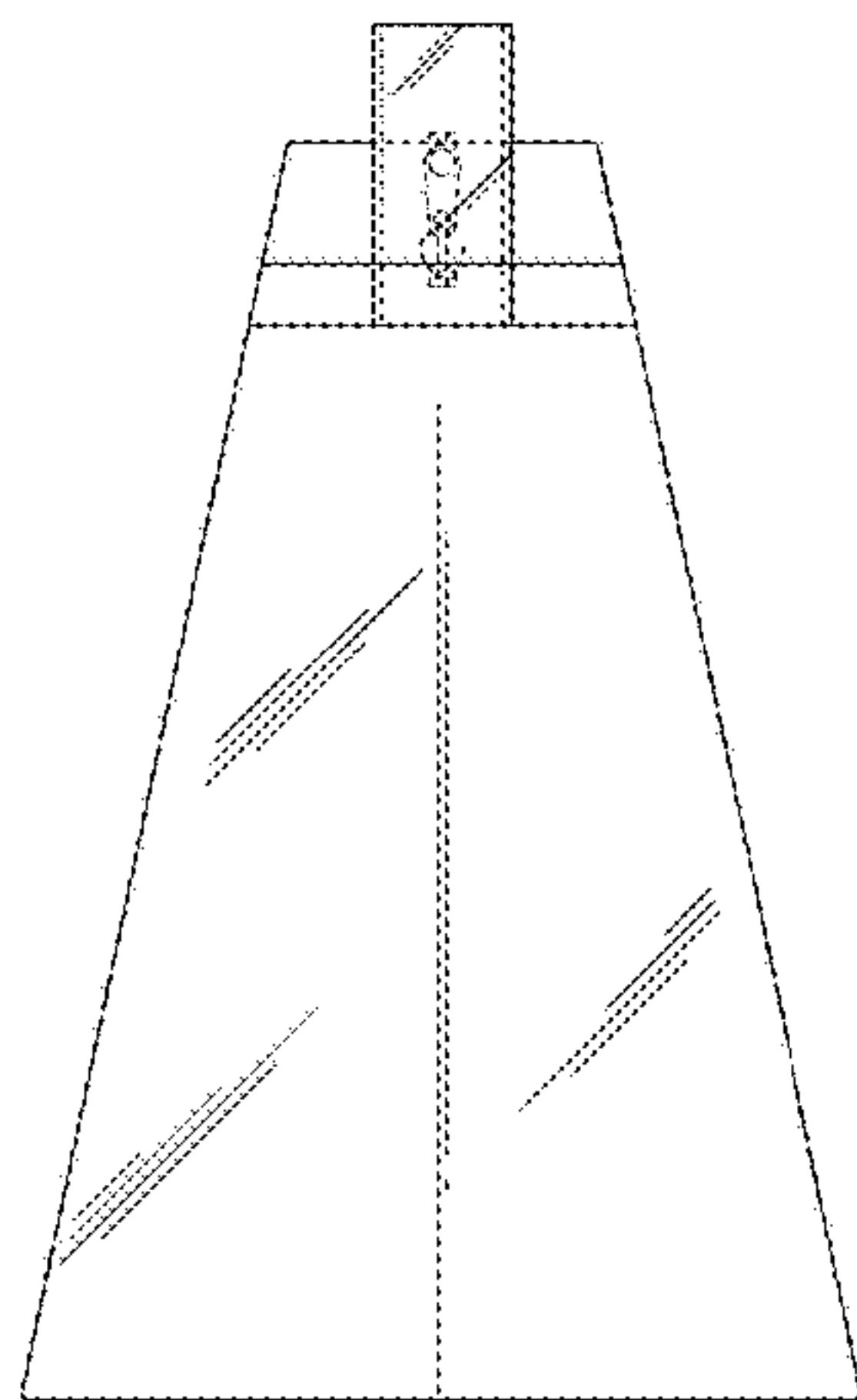


FIG. 6

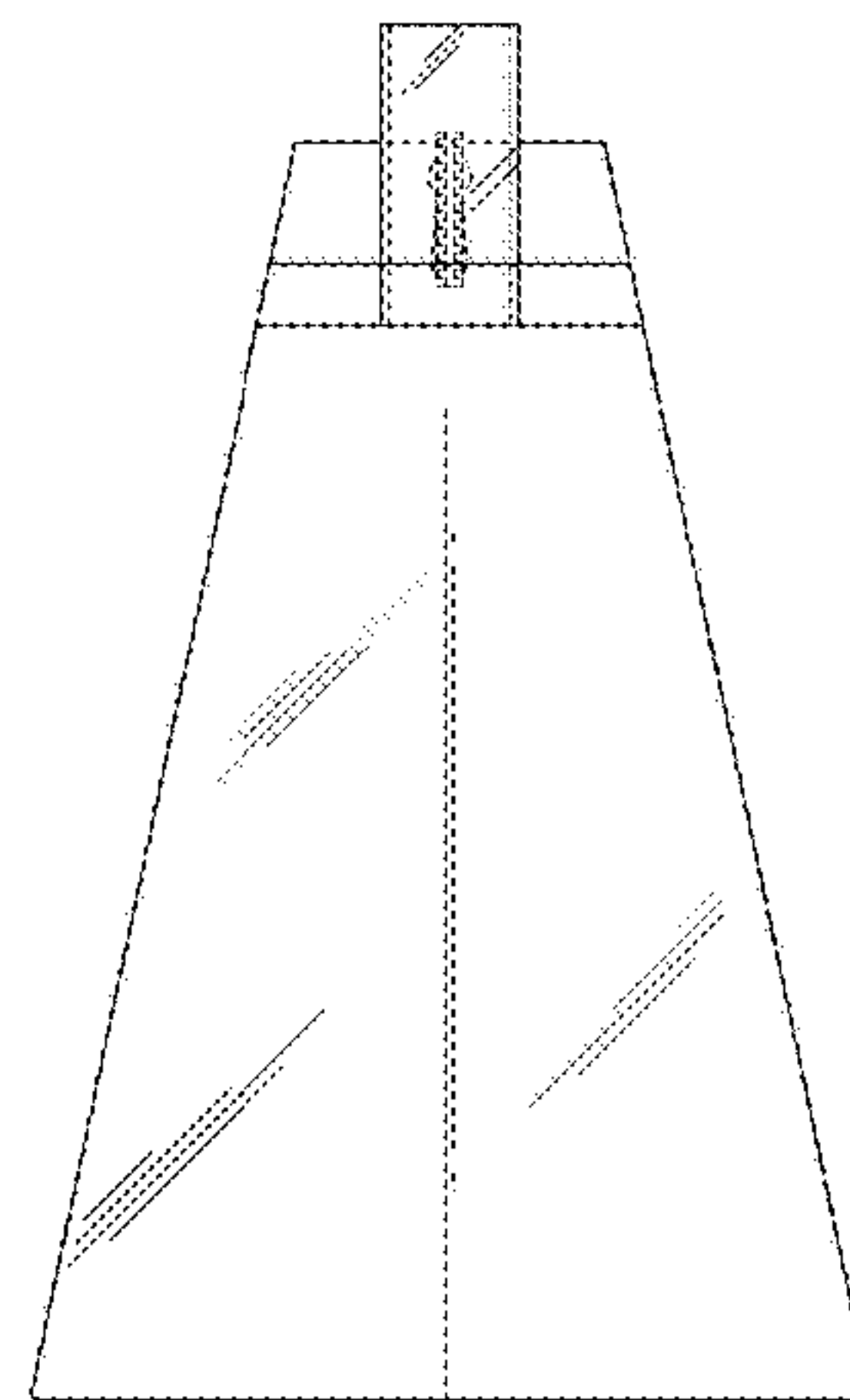


FIG. 7