



US00D846282S

(12) **United States Design Patent** (10) **Patent No.:** **US D846,282 S**  
**Brouard** (45) **Date of Patent:** **\*\* Apr. 23, 2019**

(54) **TOOL CARRIER**  
(71) Applicant: **Veto Pro Pac, LLC**, Norwalk, CT (US)  
(72) Inventor: **Roger Brouard**, Norwalk, CT (US)  
(73) Assignee: **Veto Pro Pac, LLC**, Norwalk, CT (US)  
(\*\*) Term: **15 Years**

D670,500 S \* 11/2012 Sosnovsky ..... D3/304  
D701,045 S \* 3/2014 Menirom ..... D3/283  
D739,654 S 9/2015 Brouard  
9,345,301 B2 5/2016 Brouard et al.  
D776,929 S \* 1/2017 Noh ..... D3/315  
9,914,206 B1 \* 3/2018 Guirlinger ..... A45C 13/10  
D823,600 S \* 7/2018 Pennington ..... D3/315  
D825,921 S \* 8/2018 Pennington ..... D3/283  
(Continued)

(21) Appl. No.: **29/602,693**  
(22) Filed: **May 2, 2017**  
(51) **LOC (11) Cl.** ..... **03-01**  
(52) **U.S. Cl.**  
USPC ..... **D3/315; D3/313; D3/905**  
(58) **Field of Classification Search**  
USPC ..... D3/203.6, 217, 218, 233, 249, 269, 274,  
D3/276, 279, 282, 284, 288-290,  
D3/302-305, 310, 315, 318, 900, 90, 905,  
D3/903, 272, 261, 285; 383/40;  
220/735; 206/373, 372  
CPC . B25H 3/00; B25H 3/02; B25H 3/003; B25H  
3/023; B25H 3/028; B25H 3/06; B25H  
3/021; B25H 1/04; B25H 1/12; B65D  
30/22; B65D 85/00; A45C 13/26; A45C  
3/00; A45C 7/0077; A45C 13/02; A45C  
13/10  
See application file for complete search history.

**OTHER PUBLICATIONS**

Veto Pro Pac Tech OT MC (via YouTube), available Jun. 16, 2017, [online], [site visited Nov. 9, 2018]. Available from internet, <URL: <https://www.youtube.com/watch?v=gnv1qpDqFJc> (Year: 2017).\*  
(Continued)

*Primary Examiner* — Cathron C Brooks  
*Assistant Examiner* — W. A. Teddy Falloway  
(74) *Attorney, Agent, or Firm* — Alix, Yale & Ristas, LLP

(57) **CLAIM**

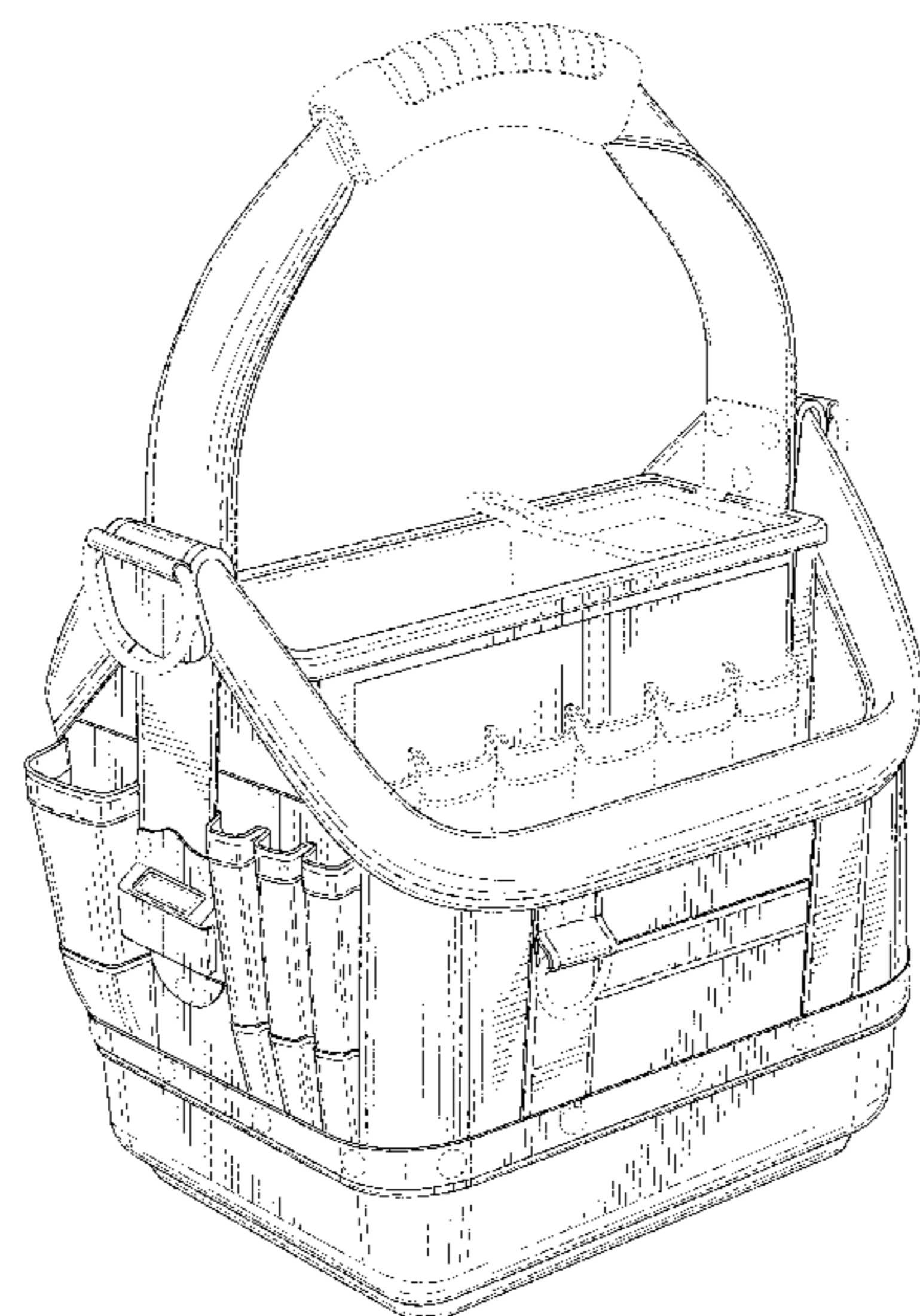
The ornamental design for the tool carrier, as shown and described.

**DESCRIPTION**

FIG. 1 is a front perspective view of a tool carrier showing my new design;  
FIG. 2 is a front elevation view of the tool carrier of FIG. 1;  
FIG. 3 is a rear elevation view of the tool carrier of FIG. 1;  
FIG. 4 is a left end view of the tool carrier of FIG. 1;  
FIG. 5 is a right end view of the tool carrier of FIG. 1;  
FIG. 6 is a top view, looking down into the tool carrier of FIG. 1; and,  
FIG. 7 is a bottom view, looking up at the tool carrier of FIG. 1.  
The broken lines shown in the drawings illustrate portions of the tool carrier that form no part of the claimed design.

(56) **References Cited**  
U.S. PATENT DOCUMENTS  
D426,384 S 6/2000 Brouard  
6,126,003 A 10/2000 Brouard  
D487,345 S 3/2004 Brouard  
D490,245 S 5/2004 Brouard  
6,915,902 B2 7/2005 Brouard  
D553,362 S \* 10/2007 Godshaw ..... D3/310  
D613,507 S 4/2010 Brouard  
D635,769 S \* 4/2011 Sosnovsky ..... D3/304  
D648,533 S \* 11/2011 Sosnovsky ..... D3/283  
D662,714 S \* 7/2012 Fraiman ..... D3/315

**1 Claim, 7 Drawing Sheets**



(56)

**References Cited**

## U.S. PATENT DOCUMENTS

2004/0055679 A1\* 3/2004 Gordon ..... A45C 11/24  
150/112  
2006/0011502 A1\* 1/2006 Redzisz ..... A45C 13/04  
206/373  
2008/0035509 A1\* 2/2008 Redzisz ..... A45C 13/04  
206/373  
2008/0073361 A1 3/2008 Brouard  
2008/0179370 A1\* 7/2008 Williams ..... A45C 13/02  
224/682  
2008/0202962 A1 8/2008 Brouard  
2008/0230416 A1 9/2008 Brouard  
2009/0008281 A1\* 1/2009 Williams ..... B25H 3/00  
206/373  
2015/0201722 A1 7/2015 Brouard  
2018/0319541 A1\* 11/2018 Brouard ..... B65D 25/06

## OTHER PUBLICATIONS

Veto Pro Pac Tech OT-MC Tool Bag Review (via YouTube), available Jul. 9, 2017, [online], [site visited Nov. 9, 2018]. Available from internet, <URL: [https://www.youtube.com/watch?v=l\\_dkiKgtqFw](https://www.youtube.com/watch?v=l_dkiKgtqFw) (Year: 2017).\*

Jackson Palmer 9" Tool Carrier (via amazon.com), available Dec. 14, 2017, [online], [site visited Nov. 9, 2018]. Available from internet, <URL: <https://www.amazon.com/Jackson-Palmer-Additional-Electrical-Maintenance/dp/B0788W8HWW> (Year: 2017).\*

Tradesman Pro 8-Inch Klein Tools (via amazon.com), available Mar. 7, 2013, [online], [site visited Nov. 9, 2018]. Available from internet, <URL: [https://www.amazon.com/dp/B00MVRGYC8/ref=sxbs\\_sxwds-stvpv2\\_2?pf\\_rd\\_m=ATVPDKIKX0DER&pf\\_rd\\_p=6375e697-f226-4dbd-a63a-](https://www.amazon.com/dp/B00MVRGYC8/ref=sxbs_sxwds-stvpv2_2?pf_rd_m=ATVPDKIKX0DER&pf_rd_p=6375e697-f226-4dbd-a63a-) (Year: 2013).\*

\* cited by examiner

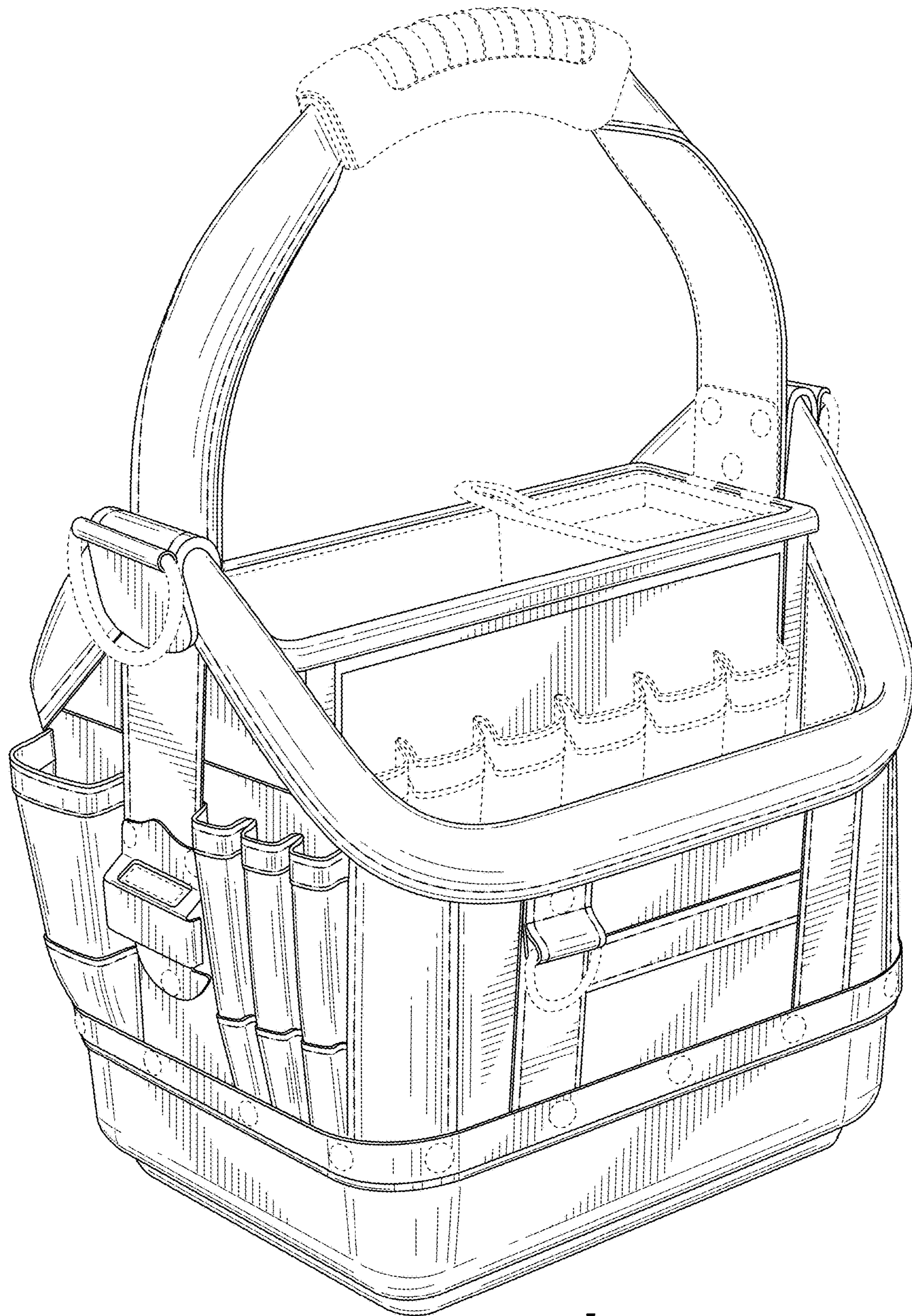


FIG. 1

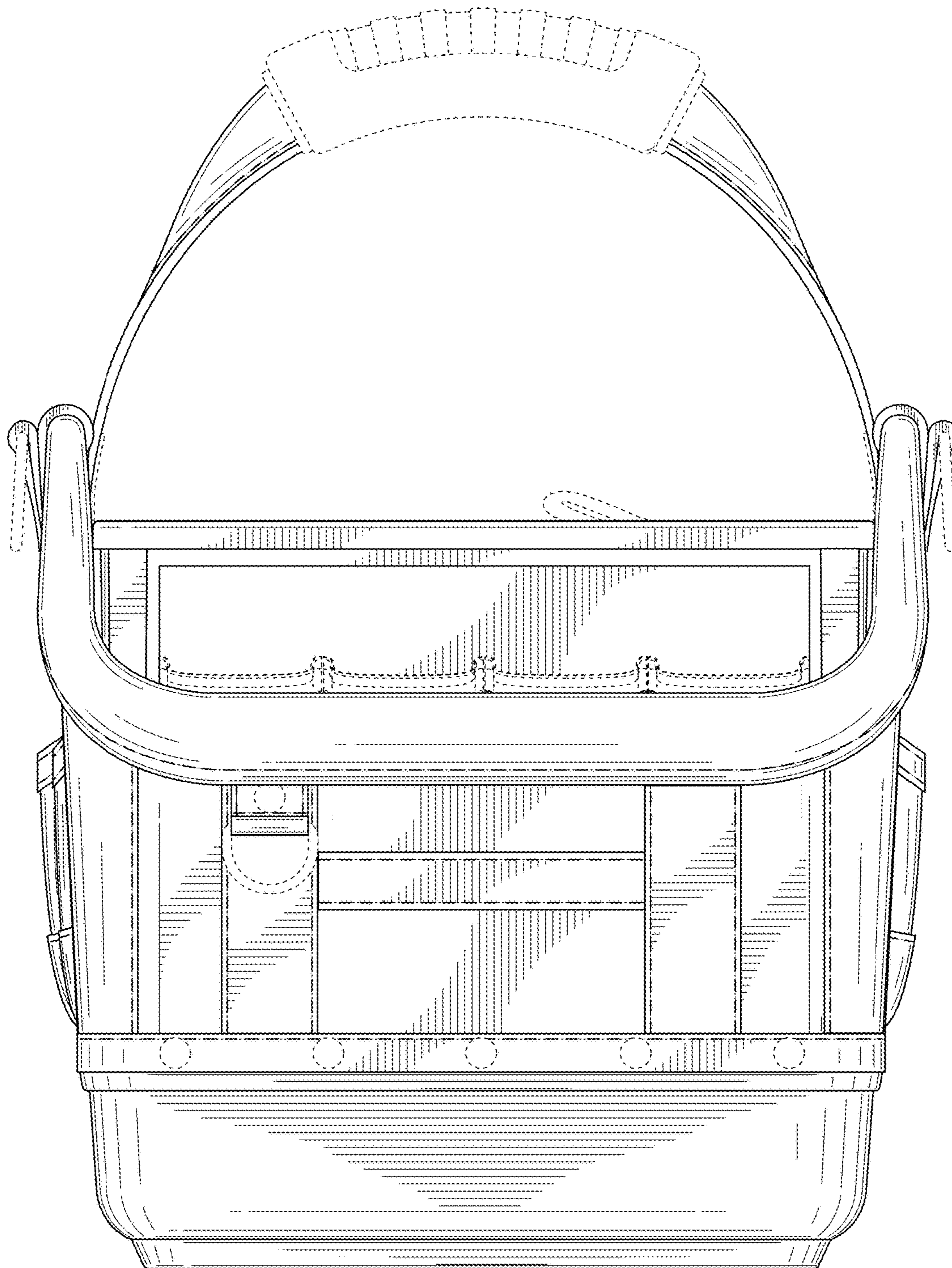


FIG. 2

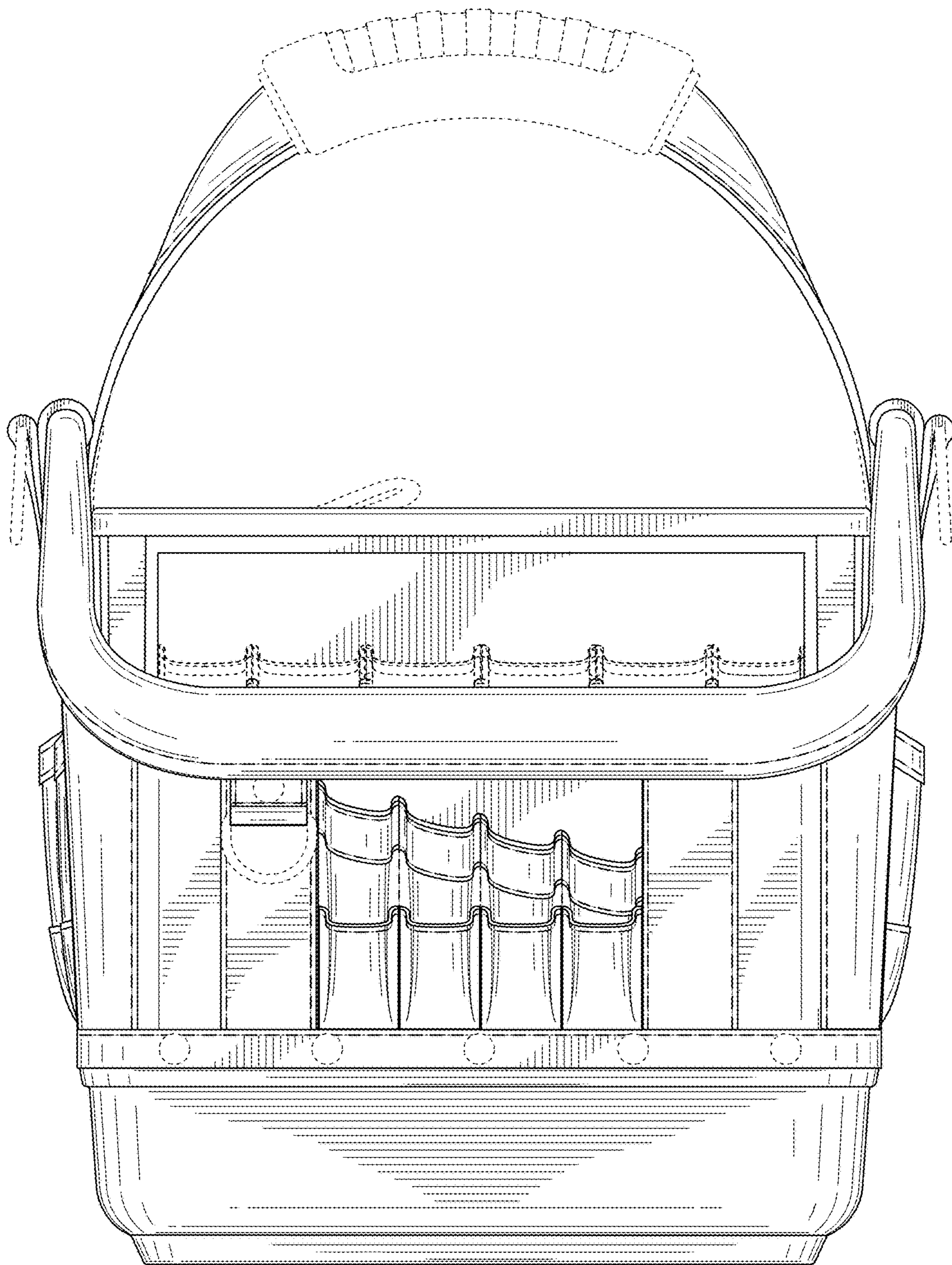


FIG. 3

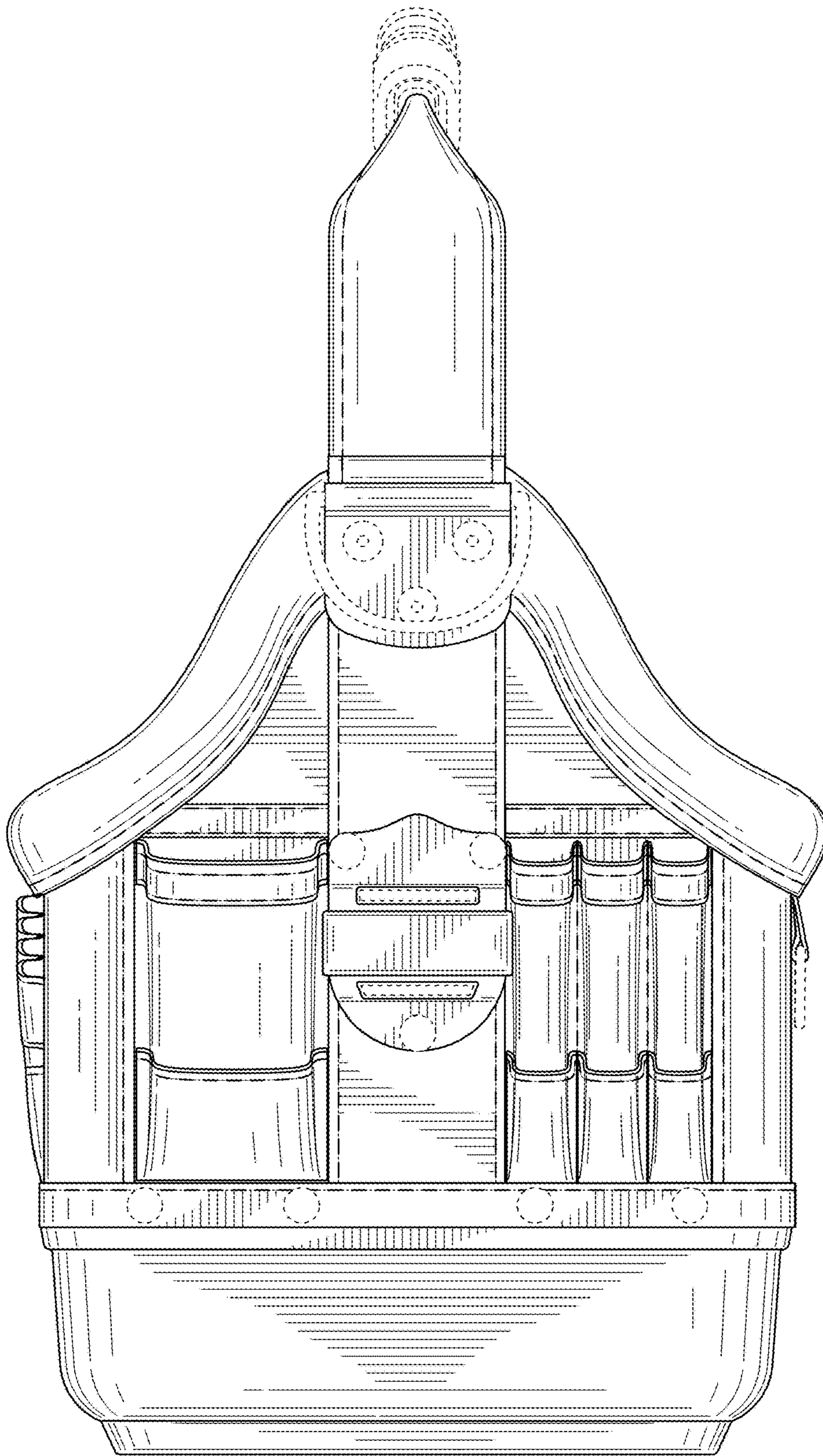


FIG. 4

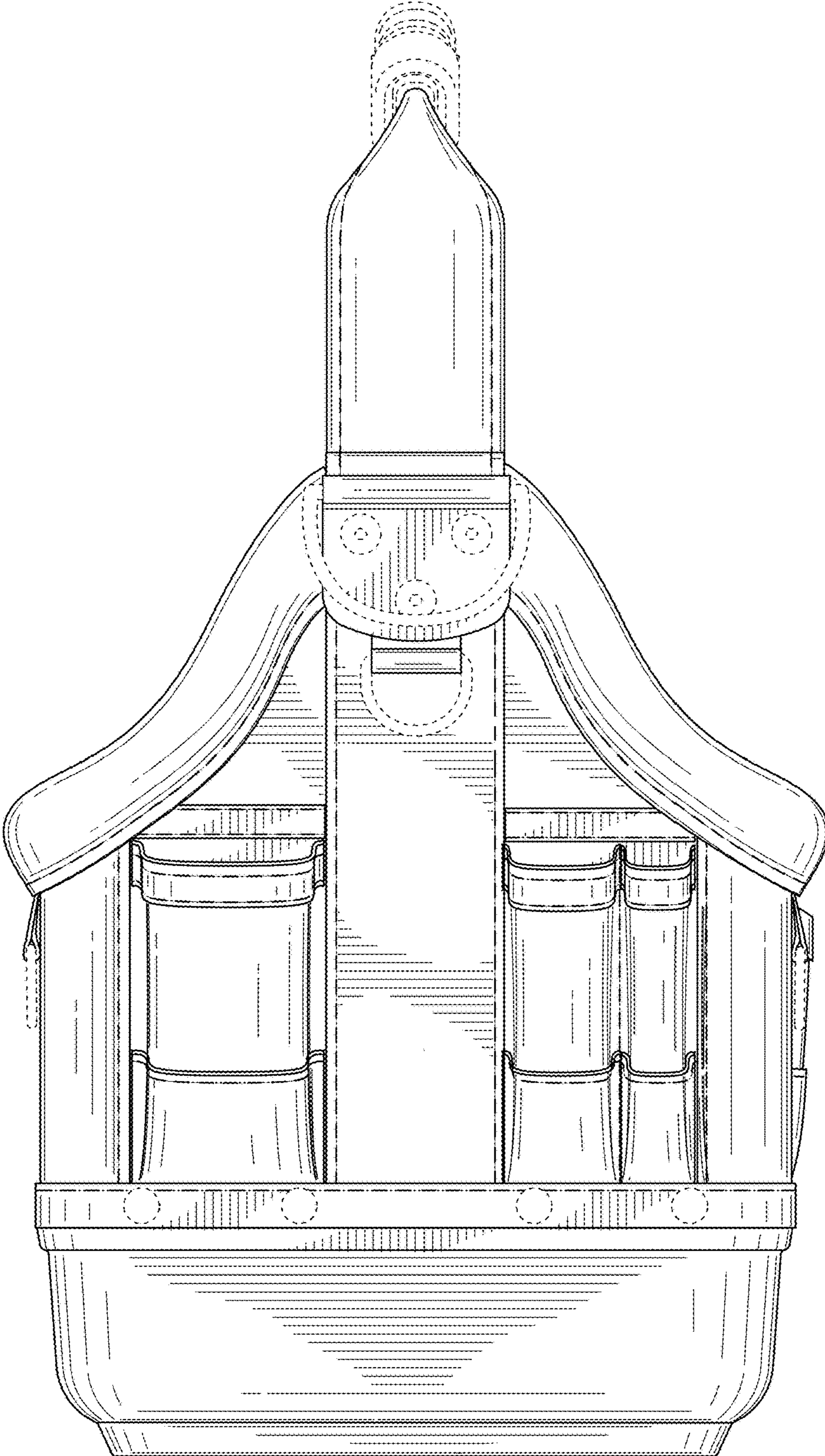


FIG. 5

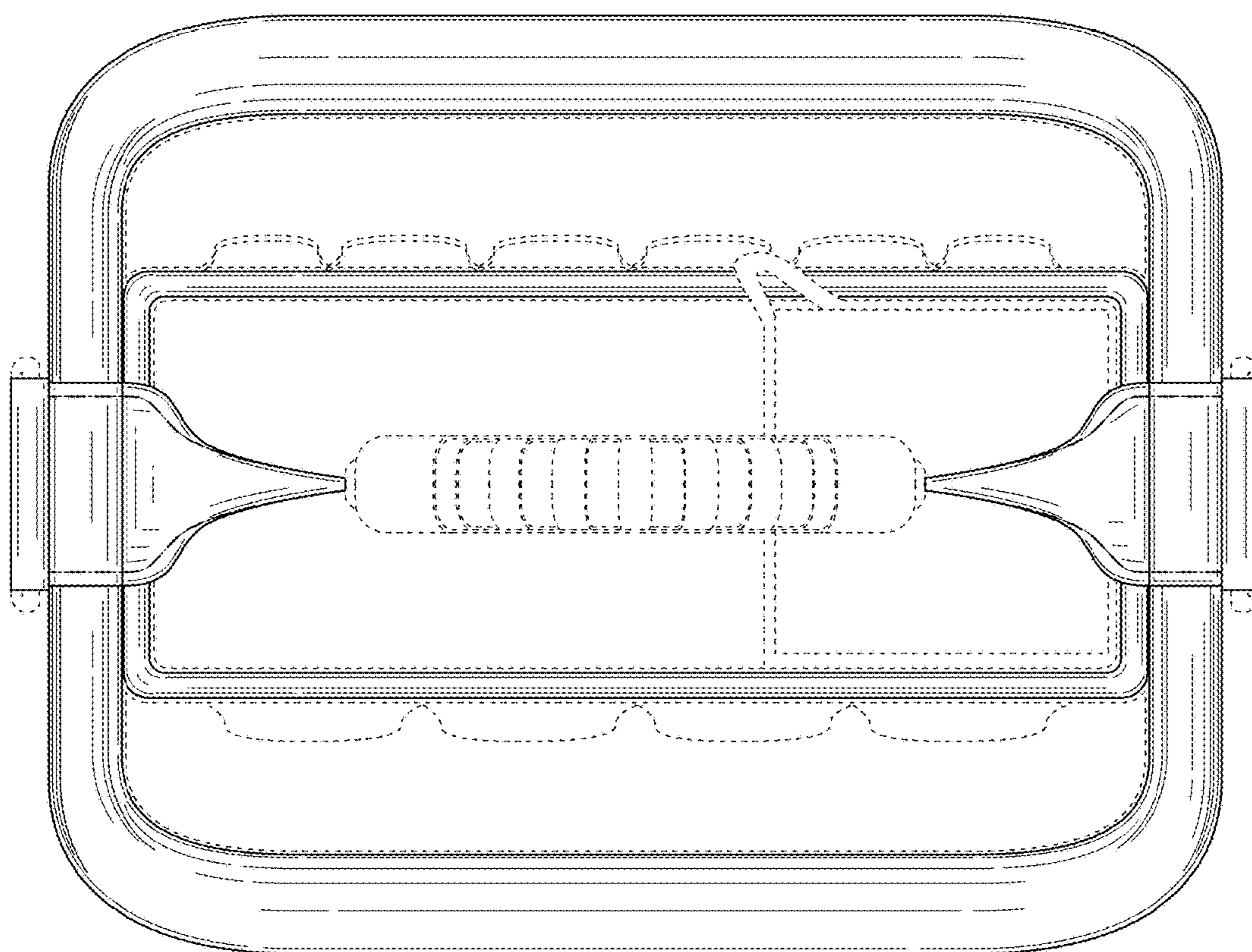


FIG. 6



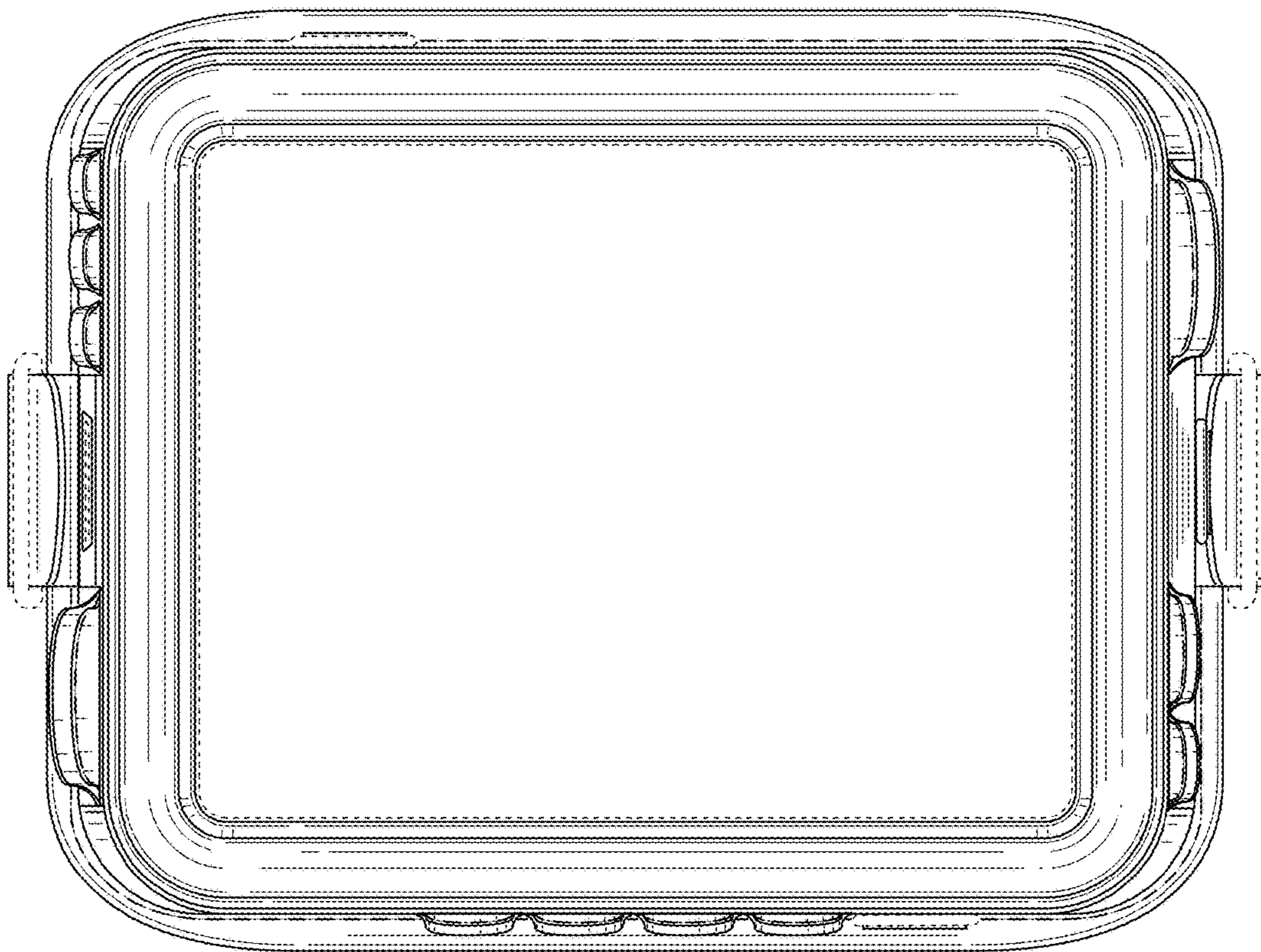


FIG. 7