



US00D846281S

(12) **United States Design Patent**  
**Greenwood**

(10) **Patent No.:** **US D846,281 S**

(45) **Date of Patent:** **\*\* Apr. 23, 2019**

(54) **TRAY WITH DIVIDER**

(71) Applicant: **YouCopia Products Inc**, Chicago, IL  
(US)

(72) Inventor: **Mark Greenwood**, Arlington Hts., IL  
(US)

(73) Assignee: **YouCopia Products Inc.**, Chicago, IL  
(US)

(\*\*) Term: **15 Years**

(21) Appl. No.: **29/639,934**

(22) Filed: **Mar. 9, 2018**

(51) **LOC (11) Cl.** ..... **03-01**

(52) **U.S. Cl.**  
USPC ..... **D3/313**

(58) **Field of Classification Search**  
USPC ..... D3/304, 313, 314, 318-319;  
D7/637-638; D8/71  
CPC ..... A47G 21/14; A45F 2200/05; A45F  
2200/0575; B25H 3/006  
See application file for complete search history.

(56) **References Cited**

**U.S. PATENT DOCUMENTS**

D219,263 S *	11/1970	Castelli et al.	.....	D7/546
D224,554 S *	8/1972	Swett	.....	220/529
D232,302 S *	8/1974	Lazure	.....	D9/761
4,346,813 A *	8/1982	Cho	.....	B65D 25/04 220/532
4,574,174 A *	3/1986	McGonigle	.....	B65D 81/3453 206/541
D283,666 S *	5/1986	Holz Kopf	.....	D7/357
5,419,451 A *	5/1995	Bitel, Jr.	.....	B65D 1/36 206/508
D367,172 S *	2/1996	Brightbill	.....	D3/310
D372,170 S *	7/1996	Ahern, Jr.	.....	D7/543
5,624,051 A *	4/1997	Ahern, Jr.	.....	B65D 1/36 220/281

D380,299 S *	7/1997	Schlaeger	.....	D3/310
D387,559 S *	12/1997	Williamson	.....	D3/313
D466,758 S *	12/2002	Bradley	.....	220/23.8
D510,684 S *	10/2005	Crosby	.....	D3/313
D512,836 S *	12/2005	Marnell, II	.....	D3/313
D530,625 S *	10/2006	Darin	.....	D9/761
D537,633 S *	3/2007	Marnell, II	.....	D3/313
D563,673 S *	3/2008	Dretzka	.....	D3/304
D649,838 S *	12/2011	Stamper	.....	D7/602
D676,070 S *	2/2013	Hammer	.....	D15/136
D710,061 S *	7/2014	Scherrer	.....	D32/3

(Continued)

*Primary Examiner* — Kelley A Donnelly

(74) *Attorney, Agent, or Firm* — Lowe Graham Jones  
PLLC

(57) **CLAIM**

I claim the ornamental design for a tray with divider, as shown and described.

**DESCRIPTION**

FIG. 1 is a top perspective view of a tray with divider, showing my new design.

FIG. 2 is a bottom perspective view of the tray with divider.

FIG. 3 is a front elevational view of the tray with divider, the rear view being a mirror image.

FIG. 4 is a right side elevational view of the tray with divider, the left side view being a mirror image.

FIG. 5 is a top plan view of the tray with divider.

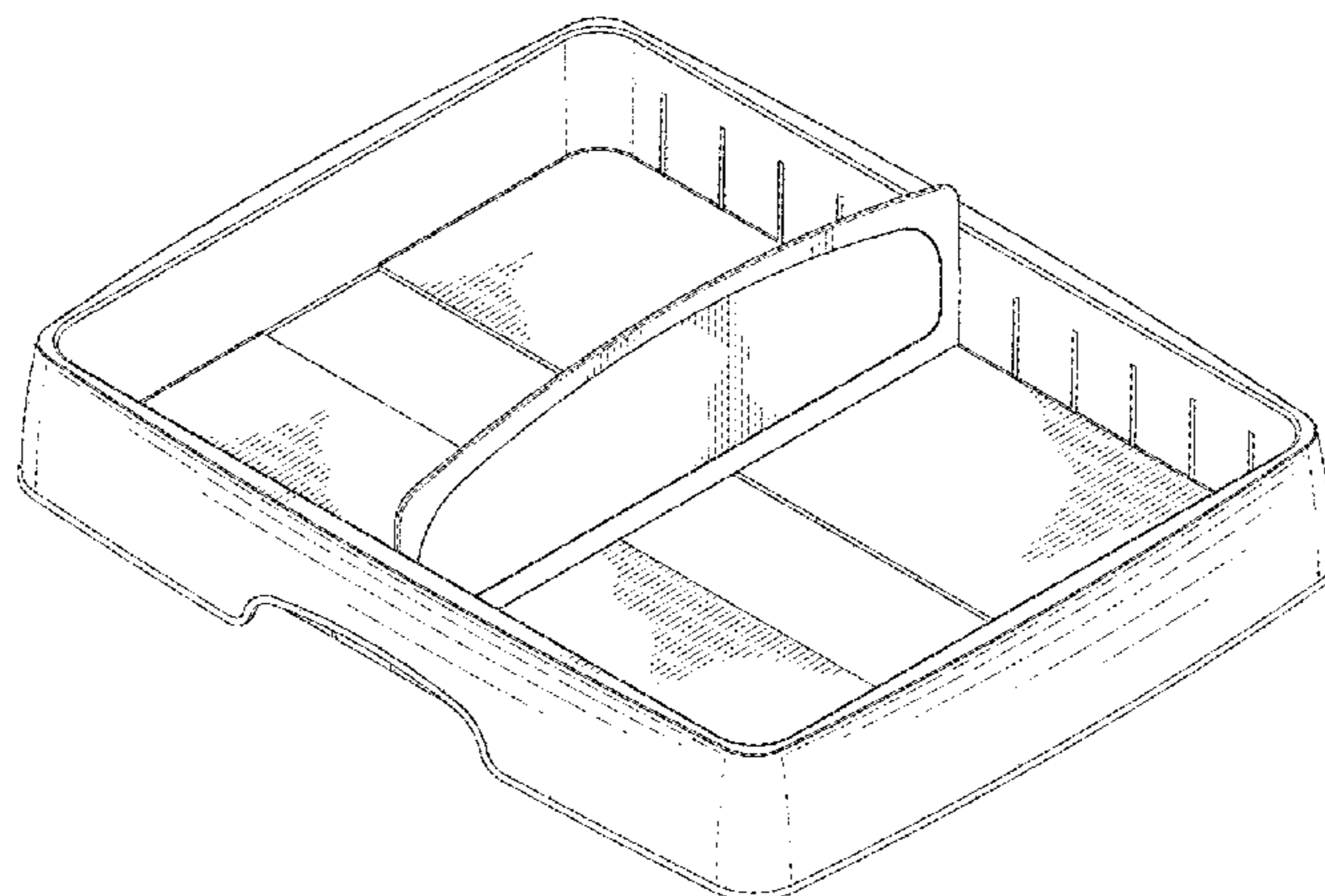
FIG. 6 is a bottom plan view of the tray with divider.

FIG. 7 is a top perspective exploded view of the tray with divider.

FIG. 8 is a front elevational exploded view of the tray with divider, the rear elevational exploded view being a mirror image; and,

FIG. 9 is a right side elevational exploded view of the tray with divider, the left side elevational exploded view being a mirror image.

**1 Claim, 9 Drawing Sheets**



(56)

**References Cited**

U.S. PATENT DOCUMENTS

9,386,865 B2 \* 7/2016 Bally ..... A47F 3/14  
D792,222 S \* 7/2017 Sill ..... D9/456  
D802,928 S \* 11/2017 Serimian ..... D3/313  
D824,171 S \* 7/2018 Brunner ..... D3/313

\* cited by examiner

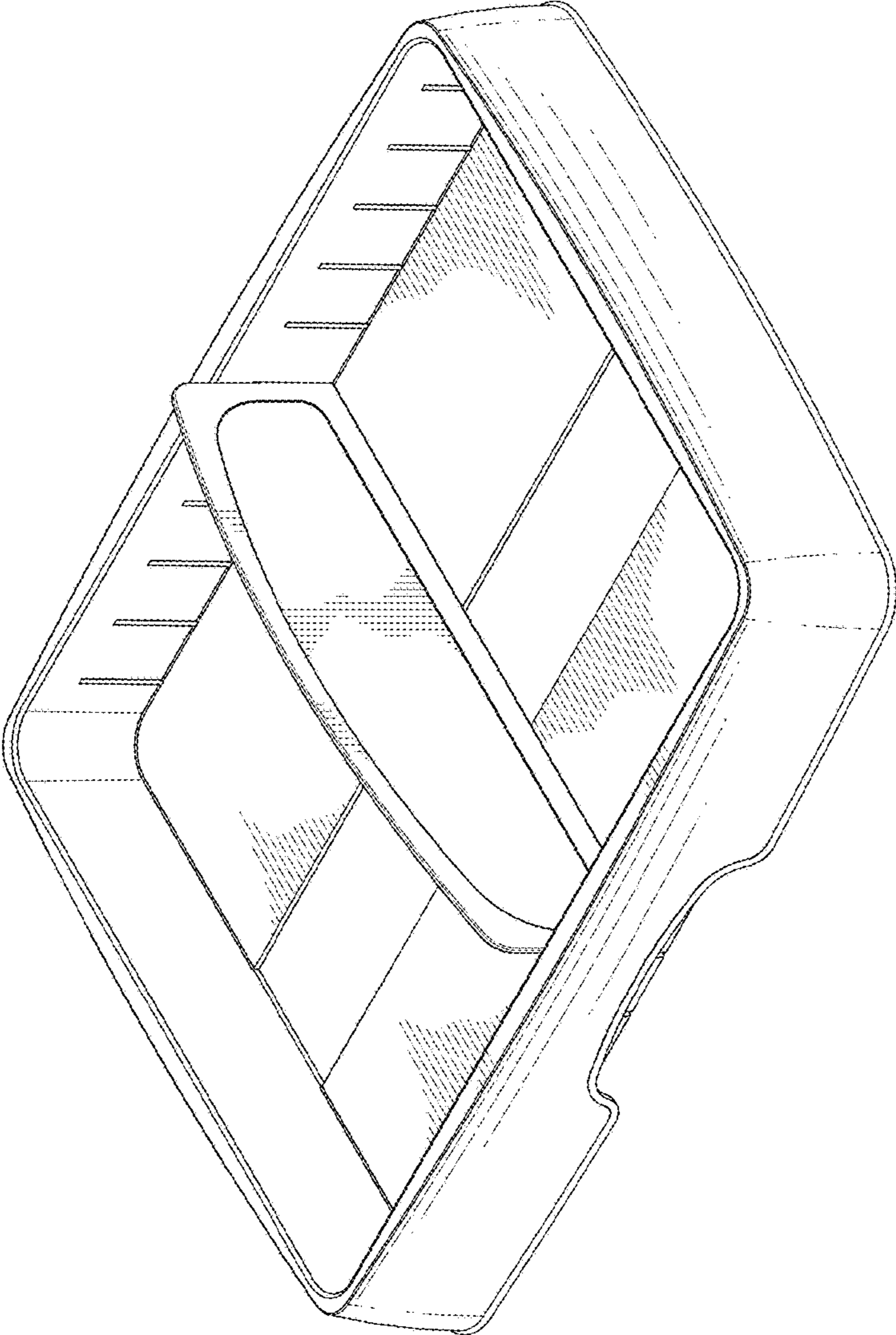


FIG.1

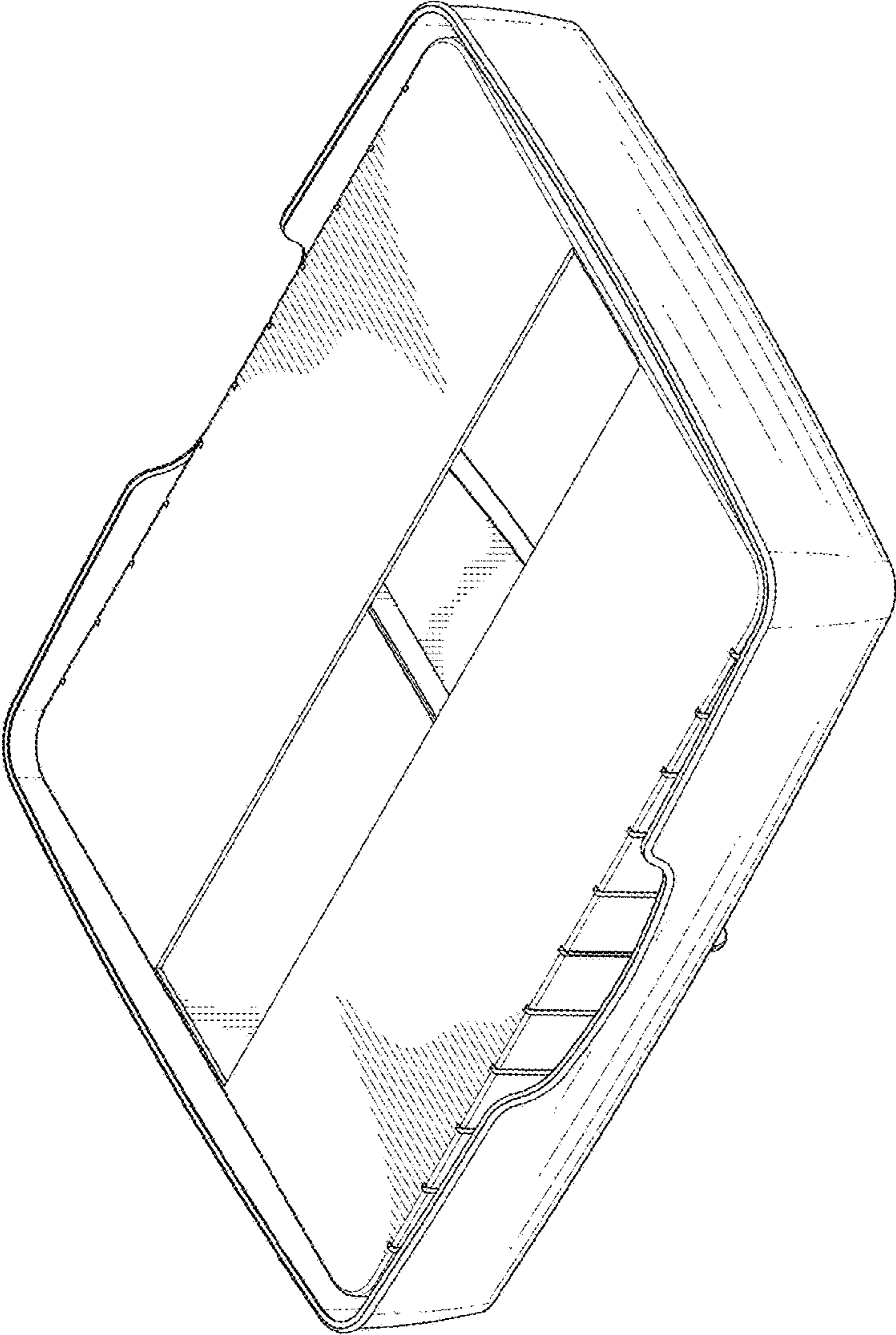


FIG.2

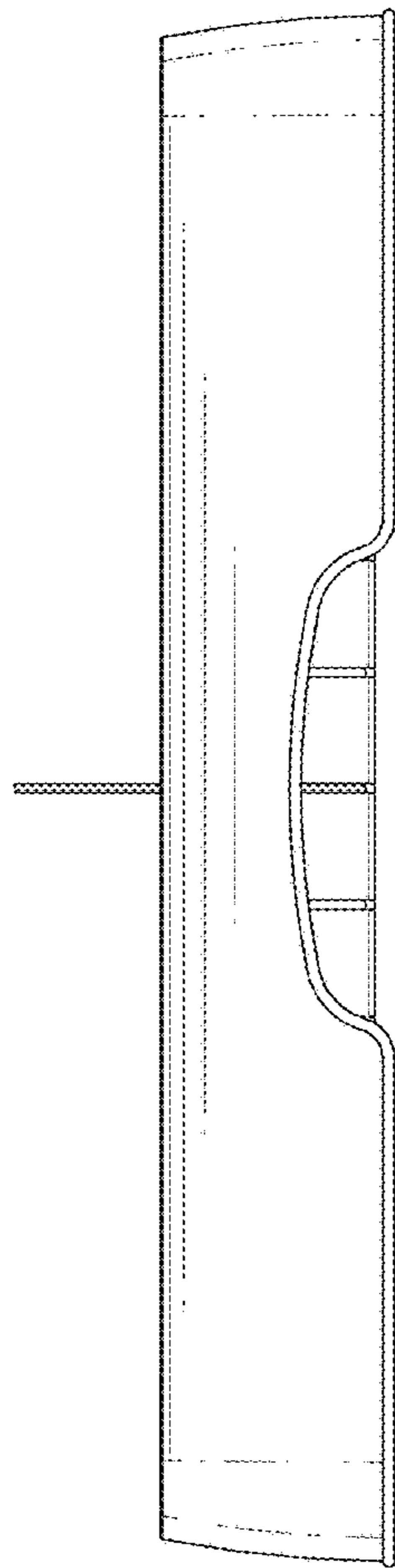


FIG. 3

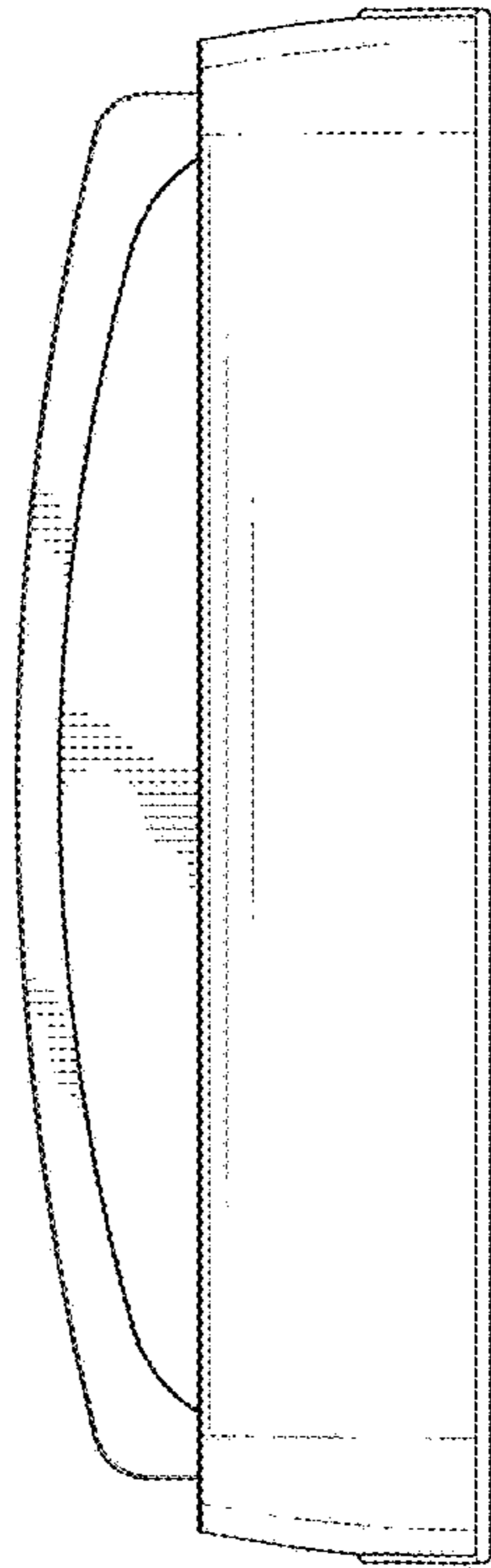


FIG. 4

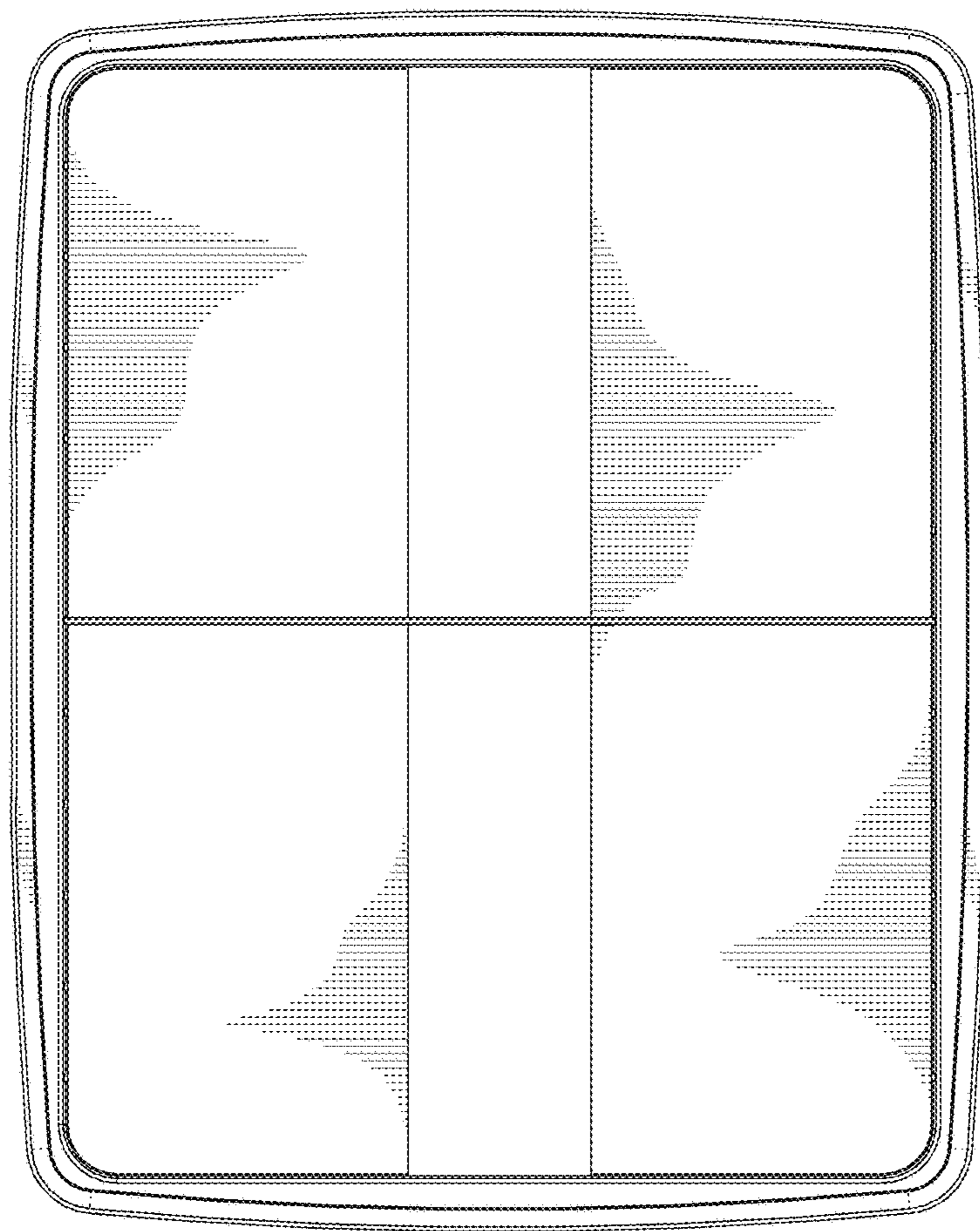


FIG.5

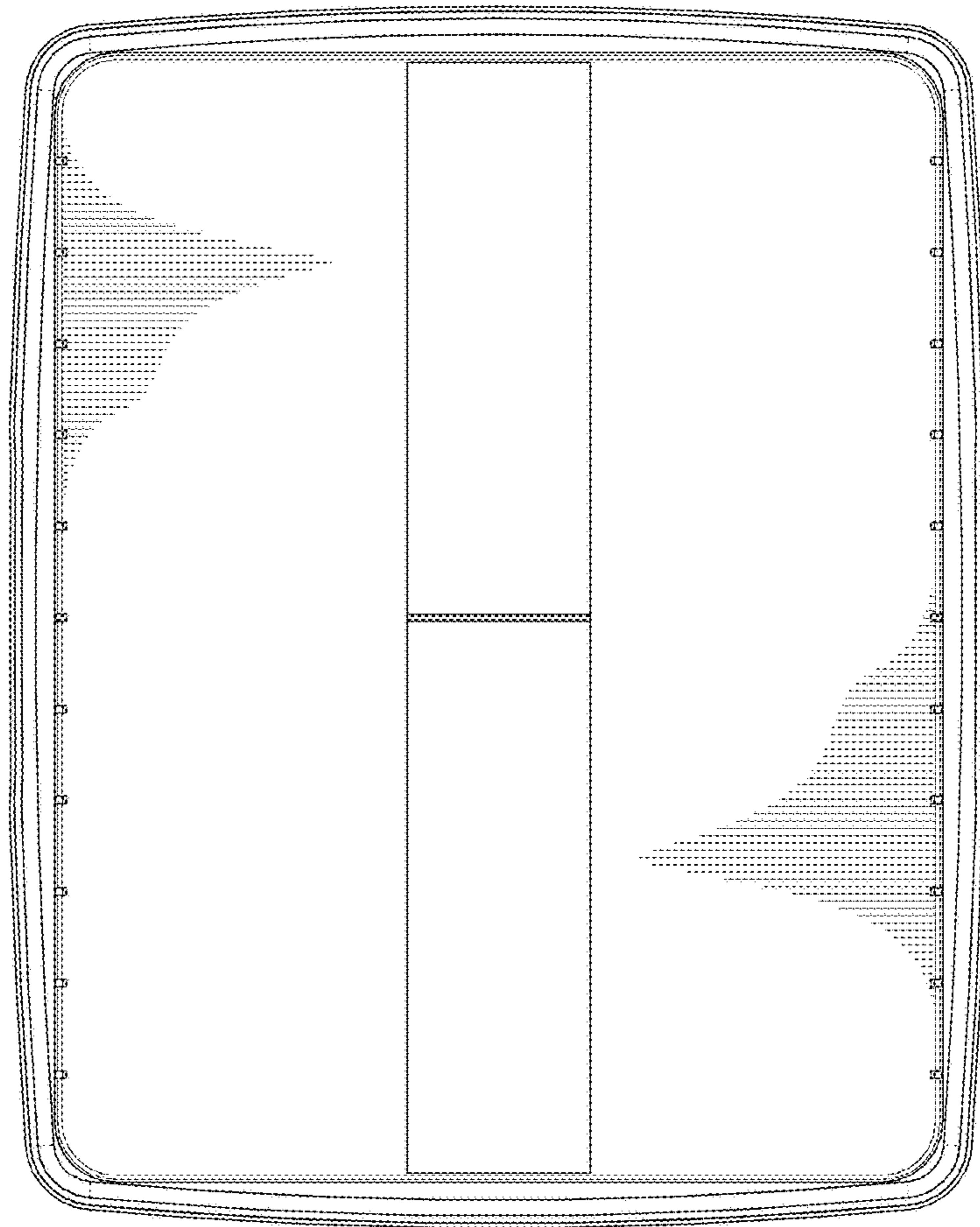


FIG. 6



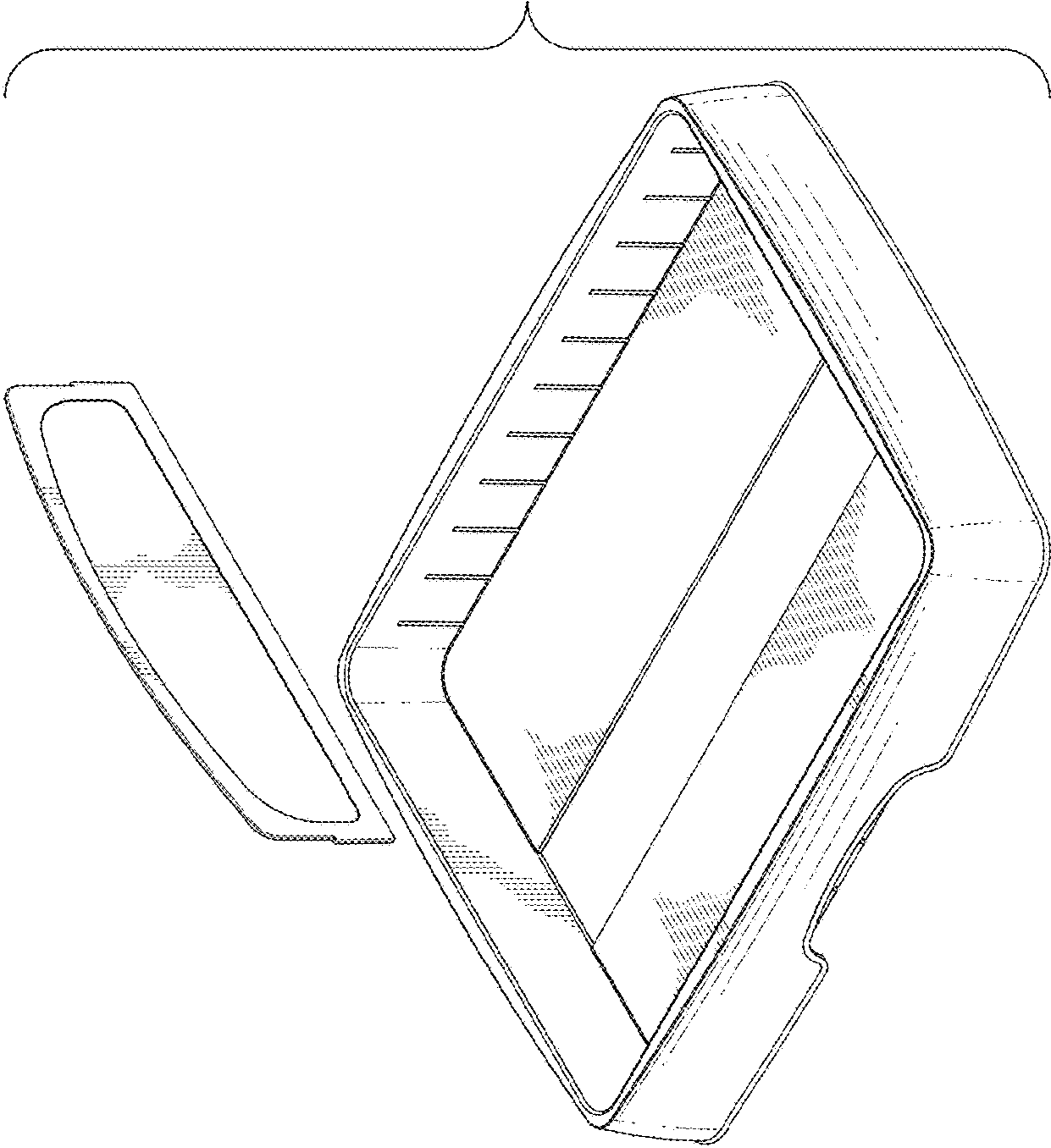


FIG. 7

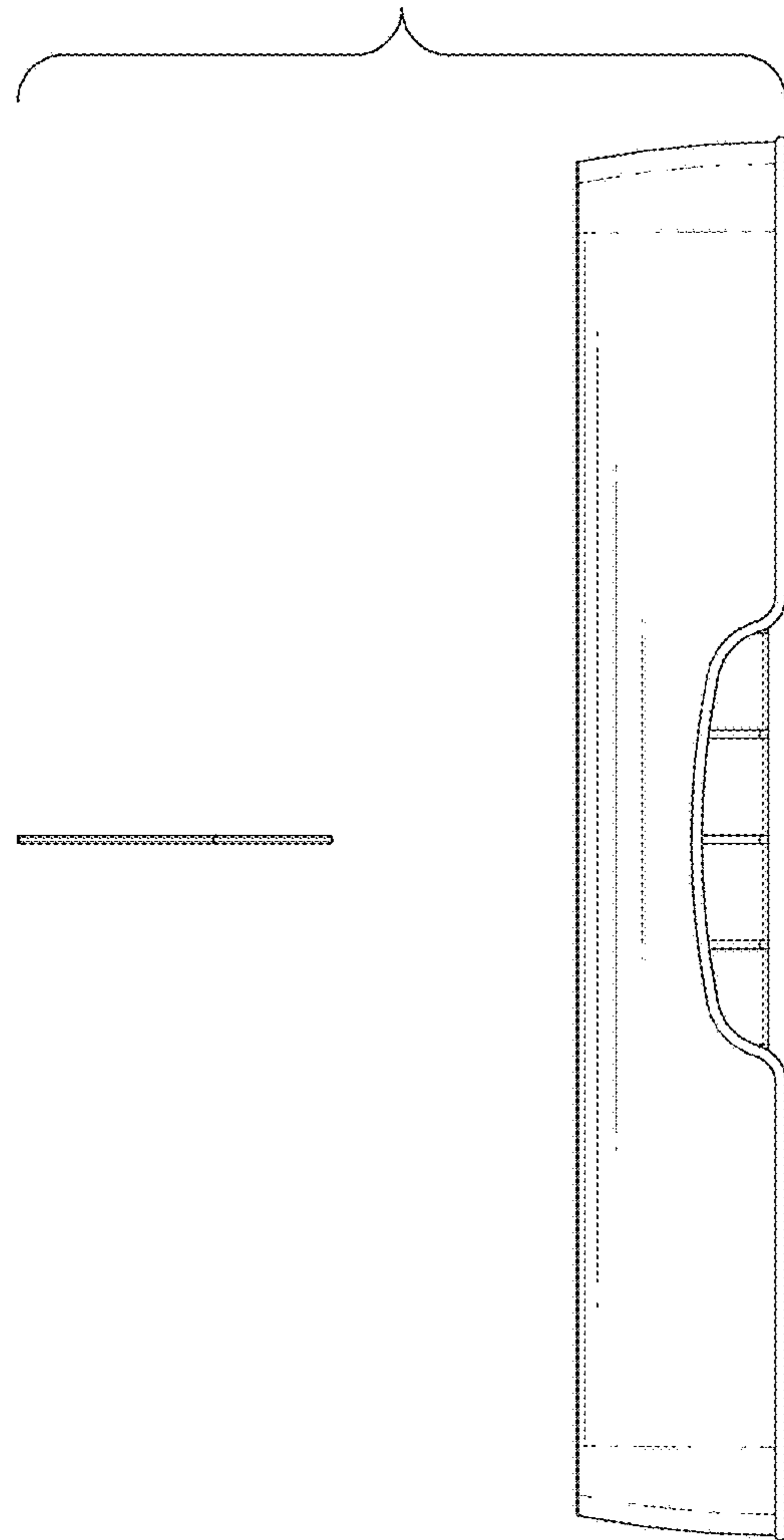


FIG. 8

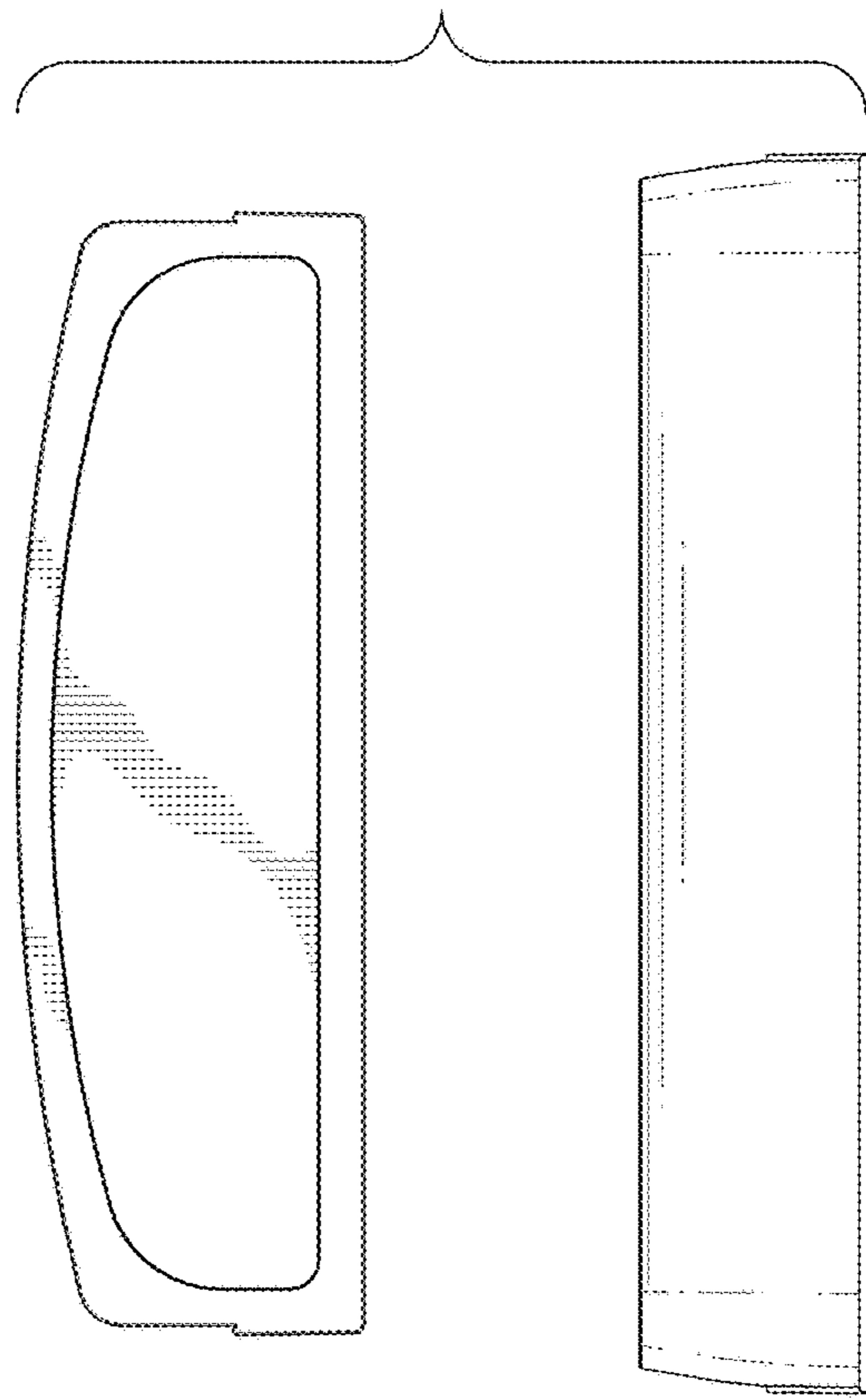


FIG. 9