



US00D846279S

(12) **United States Design Patent**
Oakley et al.

(10) **Patent No.:** **US D846,279 S**
(45) **Date of Patent:** **** Apr. 23, 2019**

(54) **RECEPTACLE**

(71) Applicant: **ZAMBRINI, LLC**, Chicago, IL (US)

(72) Inventors: **Annalee Oakley**, Chicago, IL (US);
Gloria Alicia Schwartz, Chicago, IL (US)

(73) Assignee: **ZAMBRINI, LLC**, Chicago, IL (US)

(**) Term: **15 Years**

(21) Appl. No.: **29/583,001**

(22) Filed: **Nov. 1, 2016**

(51) **LOC (11) Cl.** **03-01**

(52) **U.S. Cl.**
USPC **D3/301**

(58) **Field of Classification Search**
USPC D3/201, 203.6, 205, 212, 217, 218, 226,
D3/229, 238, 257, 270, 272, 273, 276,
D3/301, 307, 247; D6/632, 634, 407;
D11/226, 220; D9/445, 454; 206/232,
206/307.1, 308.1, 308.2, 308.3, 309-313;
383/42, 61.3
CPC G11B 33/0444; G11B 33/0422;
B65D 85/30; B65D 85/57; B60R 7/00
See application file for complete search history.

(56) **References Cited**

U.S. PATENT DOCUMENTS

488,219	A	12/1892	Platt	
1,360,914	A	11/1920	Forslund	
1,410,916	A	3/1922	Hendrix	
1,729,778	A	10/1929	Hoag	
1,732,837	A	10/1929	Fenton	
1,769,685	A	7/1930	Goddu	
1,796,525	A	3/1931	Gustav	
1,872,968	A	8/1932	Kimbell	
2,012,241	A	8/1935	Dill	
2,843,170	A *	7/1958	Frankfurt A45C 11/24 150/112
3,141,211	A	7/1964	Blake	

3,534,446 A 10/1970 Silver
4,050,184 A 9/1977 Chiari
D246,591 S * 12/1977 Sollazzi 190/100
(Continued)

OTHER PUBLICATIONS

Chatty Snaps search in Google, [online], [site visited Nov. 5, 2018]. Available from internet, <URL: <https://www.google.com/search?biw=1920&bih=1051&tbm=isch&sa=1&ei=wk3gW9WGC8rszgKTupOwCQ&q=chatty+snaps+zambrini&oq=chatty+snaps+zambrini&gs> (Year: 2018).*

Primary Examiner — Cathron C Brooks
Assistant Examiner — W. A. Teddy Falloway
(74) *Attorney, Agent, or Firm* — AP Patents

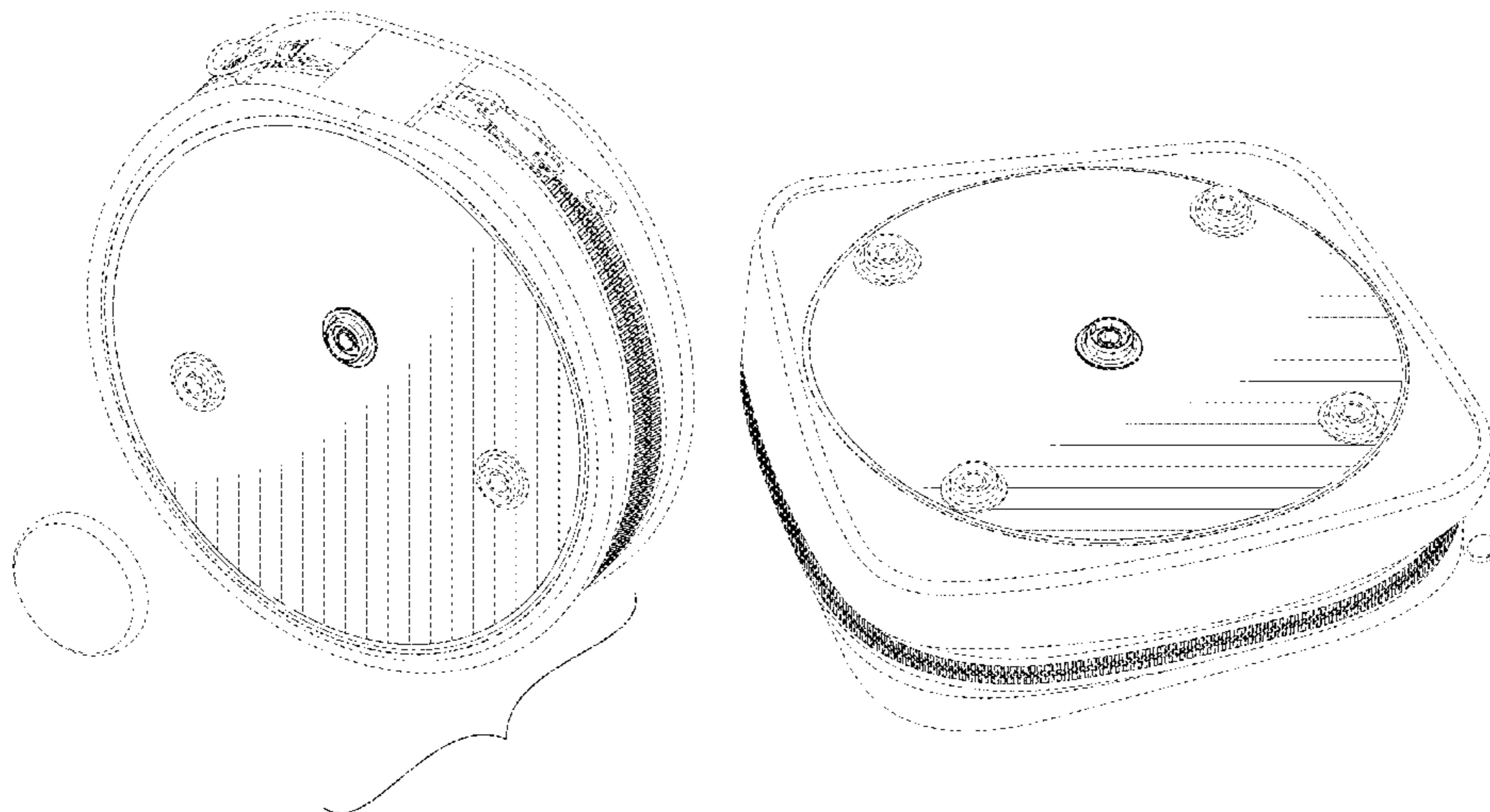
(57) **CLAIM**

The ornamental design for a receptacle, as shown and described.

DESCRIPTION

FIG. 1 is a front perspective view of a receptacle showing our new design.
FIG. 2 is a front environmental perspective view of the receptacle of FIG. 1.
FIG. 3 is a front view of the receptacle in FIG. 1.
FIG. 4 is a right side view of the receptacle in FIG. 1.
FIG. 5 is a left side view of the receptacle in FIG. 1.
FIG. 6 is a top view of the receptacle in FIG. 1.
FIG. 7 is a bottom view of the receptacle in FIG. 1.
FIG. 8 is a perspective view of another embodiment of the receptacle of FIG. 1.
FIG. 9 is a perspective view of the receptacle of FIG. 1, but shown in a partially open configuration; and,
FIG. 10 is a perspective view of the receptacle of FIG. 1, but shown in a fully open configuration.
The dash-dash broken lines illustrate portions of the receptacle. The dash-dot broken lines represent the bounds of the claim. The broken lines form no part of the claimed design.

1 Claim, 5 Drawing Sheets



(56)

References Cited

U.S. PATENT DOCUMENTS

D247,066 S *	1/1978	Tomatsuri	D3/267	D497,508 S *	10/2004	Dardashti	D6/407
4,344,240 A	8/1982	Schiller			D511,895 S *	11/2005	Vish	D3/318
4,481,696 A	11/1984	Kanzaka			6,976,579 B2 *	12/2005	Molnar	A45C 11/24 206/308.1
4,607,415 A	8/1986	Fukuroi			D517,364 S *	3/2006	Nieves	D6/407
4,662,033 A	5/1987	Wieland, Jr. et al.			7,100,765 B2 *	9/2006	Collins, IV	G11B 33/0422 206/308.1
4,686,749 A	8/1987	Fukuroi			7,698,836 B2	4/2010	Schmelzer et al.		
4,698,881 A	10/1987	Watanabe			8,069,538 B2	12/2011	Wilcox		
4,875,257 A	10/1989	Anderson et al.			8,122,519 B2	2/2012	Schmelzer et al.		
4,969,241 A	11/1990	Griffin			D670,911 S *	11/2012	Bollinger	D3/301
5,014,400 A	5/1991	Ban			D681,936 S *	5/2013	Basas	D3/203.2
5,093,965 A	3/1992	Mauras et al.			8,561,264 B2	10/2013	Hasegawa et al.		
5,212,851 A	5/1993	Wantanabe			D767,986 S *	10/2016	Epstein	D3/289
D383,620 S *	9/1997	Smith	D6/407	2004/0188287 A1 *	9/2004	Molnar	A45C 11/24 206/311
5,745,964 A	5/1998	Luer			2004/0245130 A1 *	12/2004	Chi	G11B 33/0444 206/308.1
5,926,920 A	7/1999	Denison			2006/0021198 A1	2/2006	Raccosta		
D418,287 S *	1/2000	Moor	D3/201	2008/0203659 A1	8/2008	Cabrera		
6,012,203 A	1/2000	Pearson			2009/0113678 A1	5/2009	Shimizu		
6,012,575 A *	1/2000	Eskandry	B60R 7/088 206/308.1	2009/0229030 A1	9/2009	Devisch et al.		
D425,295 S *	5/2000	Borja	D3/203.1	2011/0016679 A1	1/2011	Candotti		
D432,344 S *	10/2000	Eskandry	D3/201	2012/0137409 A1	6/2012	Chrysostom		
D435,385 S *	12/2000	Eskandry	D3/218	2012/0199505 A1	8/2012	Black et al.		
D451,674 S *	12/2001	Leins	D3/206	2012/0317760 A1	12/2012	Kamiya et al.		
D477,857 S	7/2003	Kuna			2015/0257494 A1 *	9/2015	Oakley	A44B 17/0082 273/157 R
D484,731 S *	1/2004	Tung	D3/270					
D489,529 S *	5/2004	Vish	D3/218					
D494,104 S	8/2004	Okonkwo							

* cited by examiner

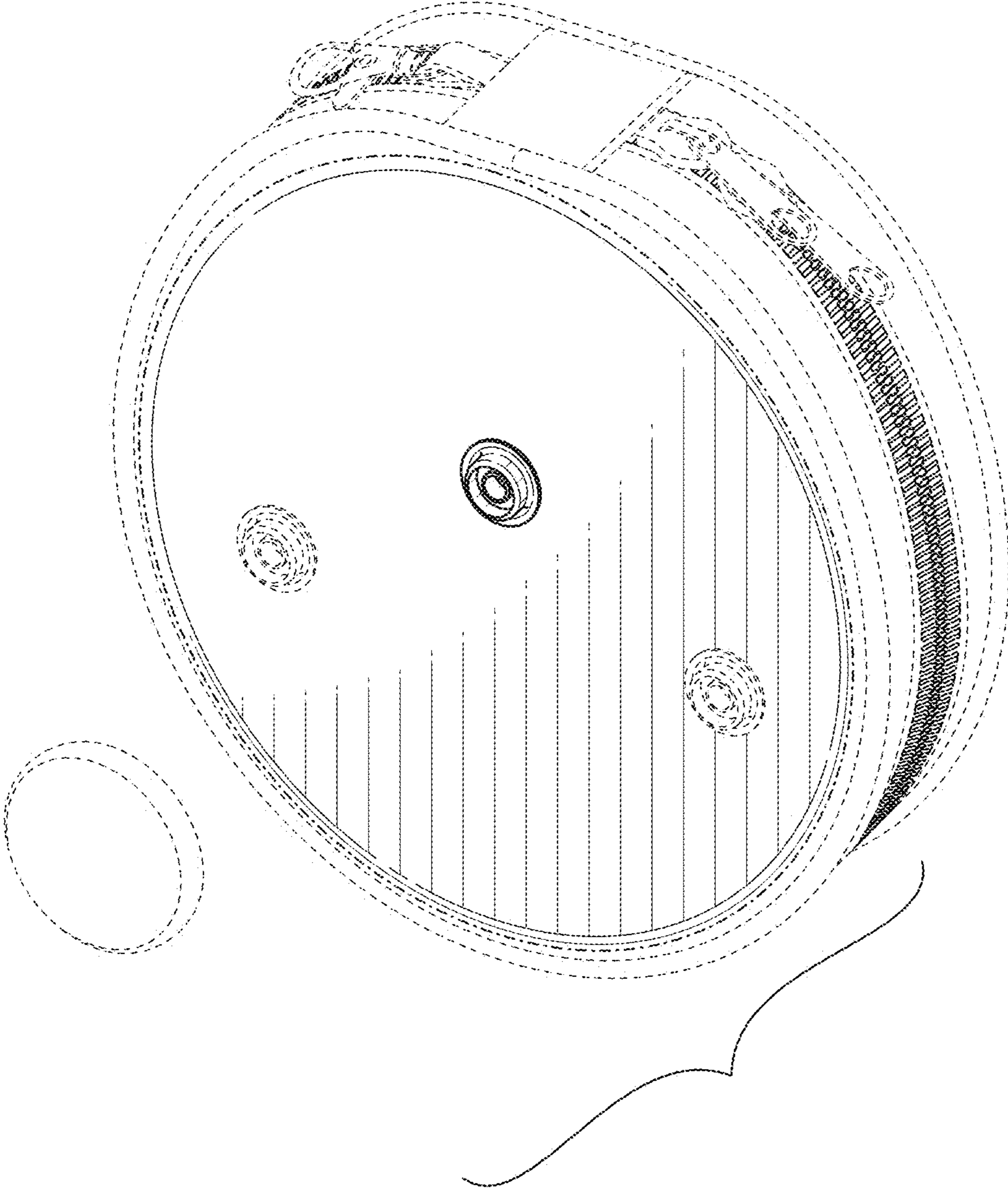


FIG. 1

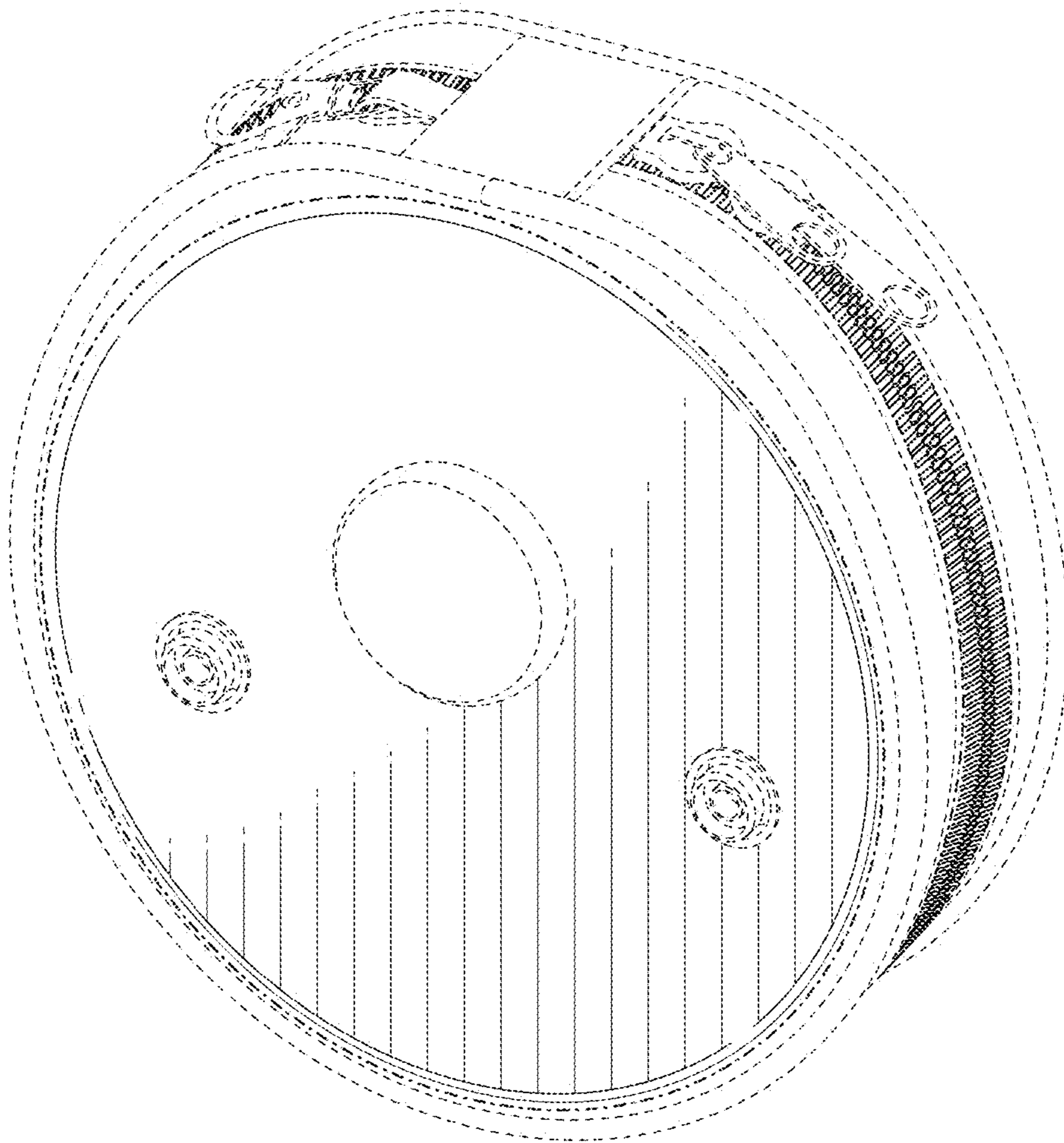


FIG. 2

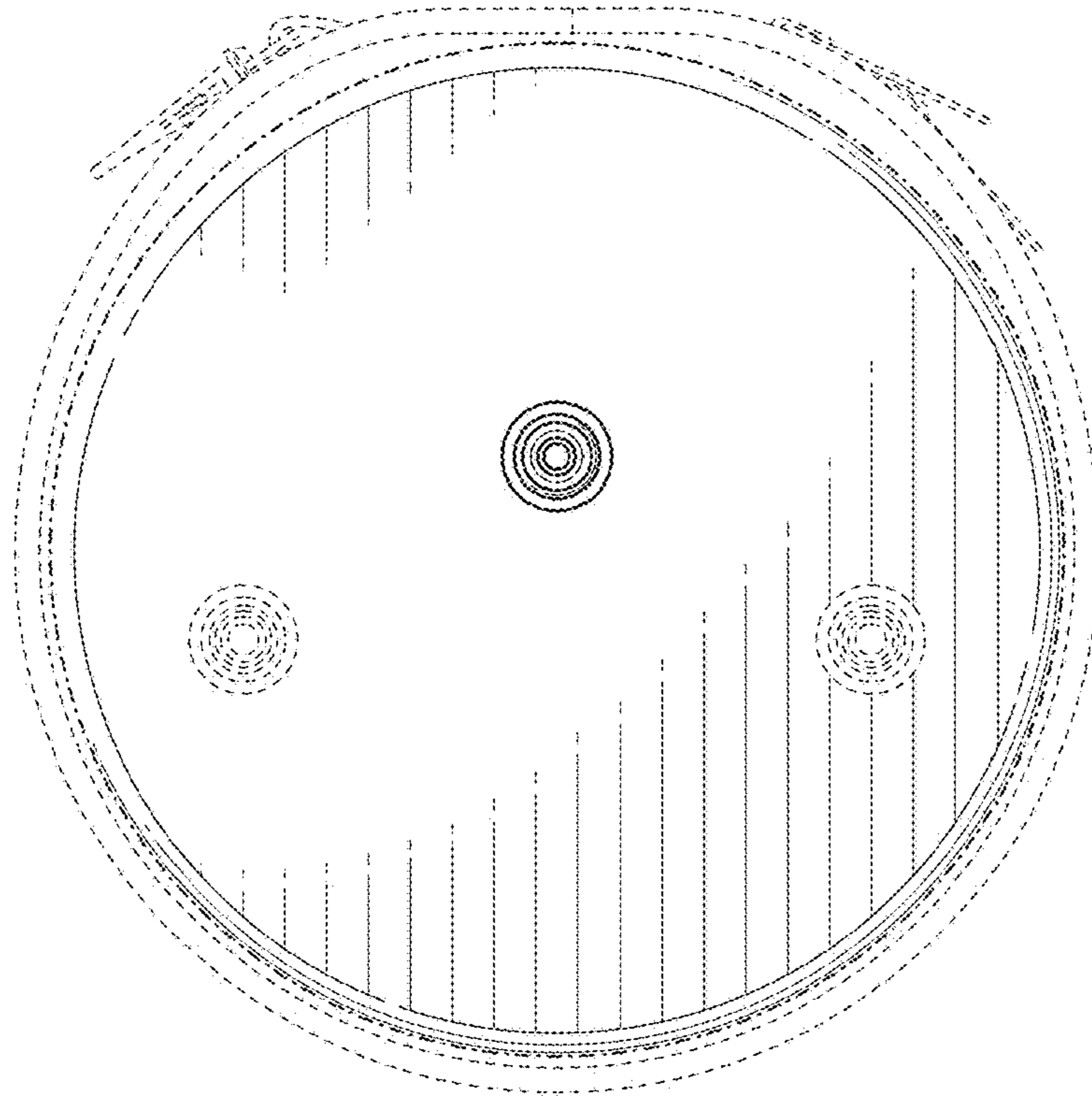


FIG. 3

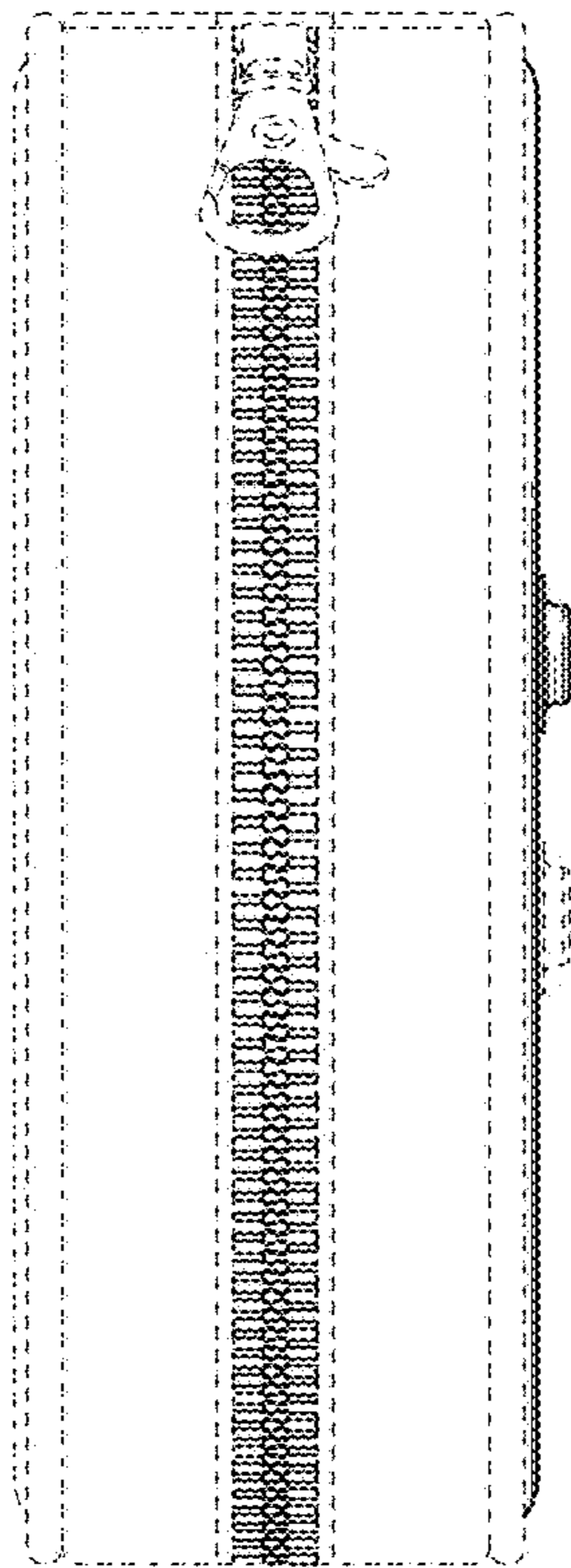


FIG. 4

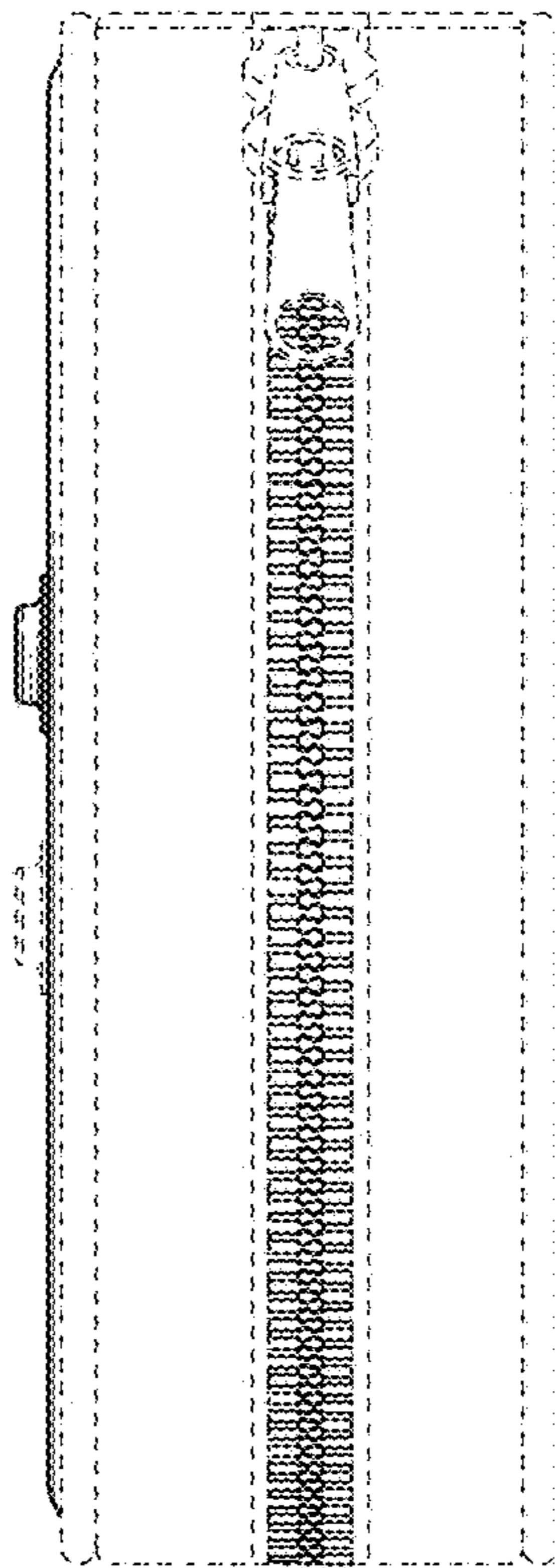


FIG. 5

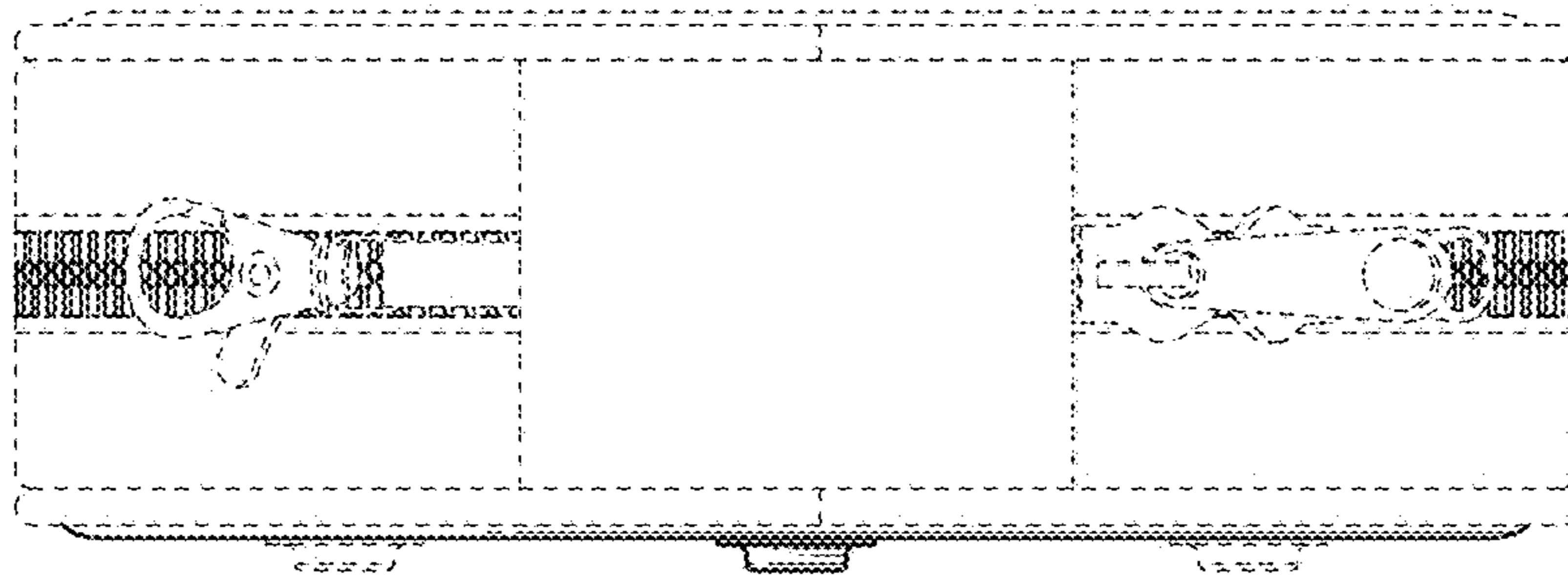


FIG. 6

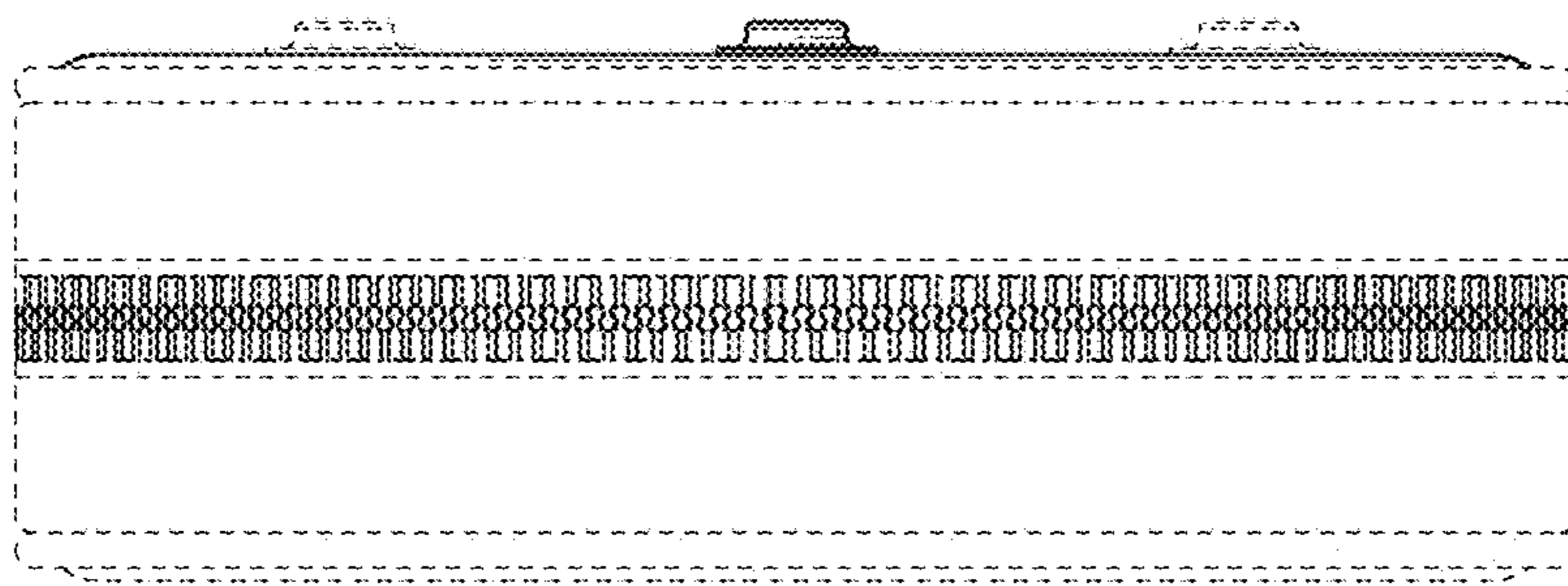


FIG. 7

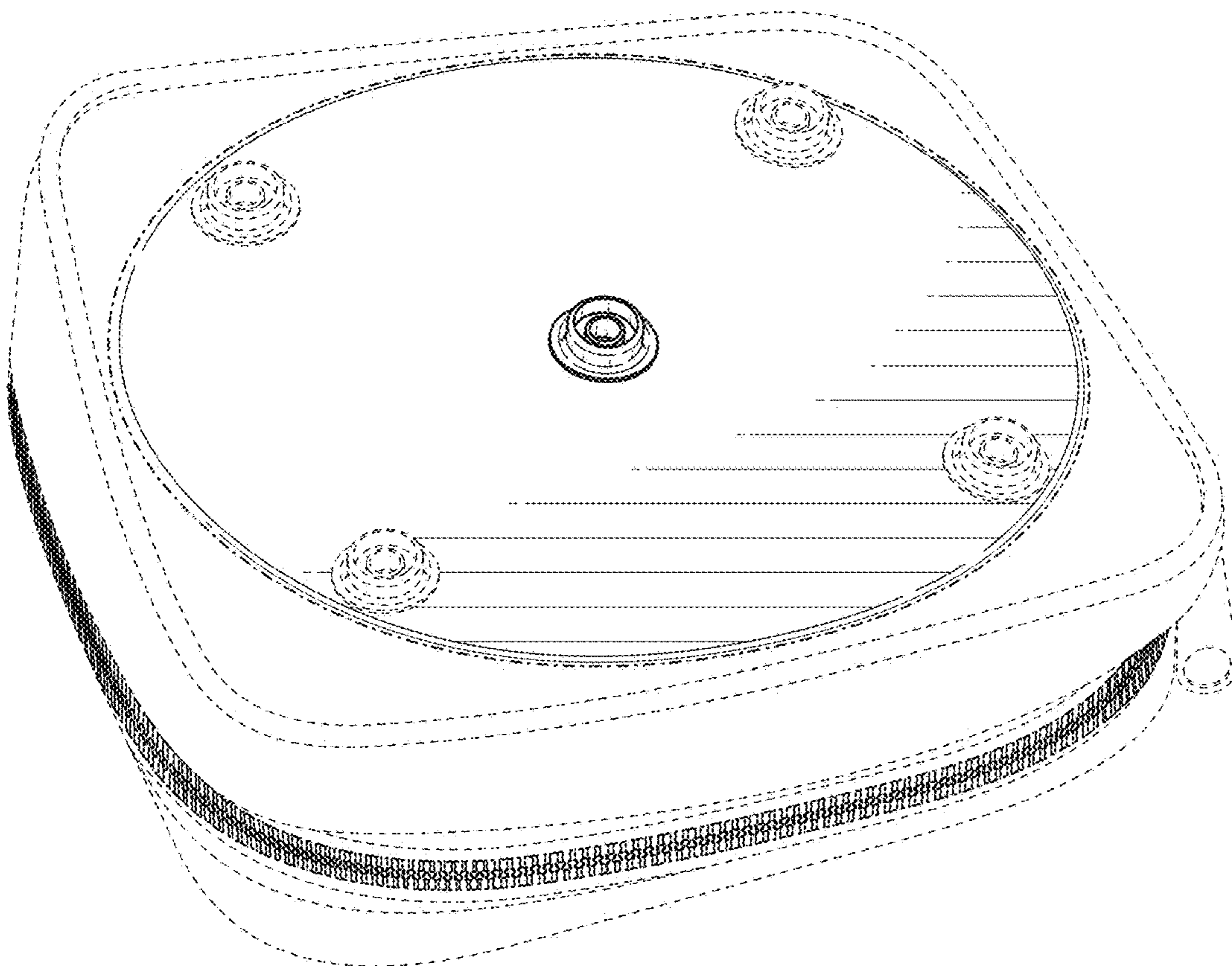


FIG. 8

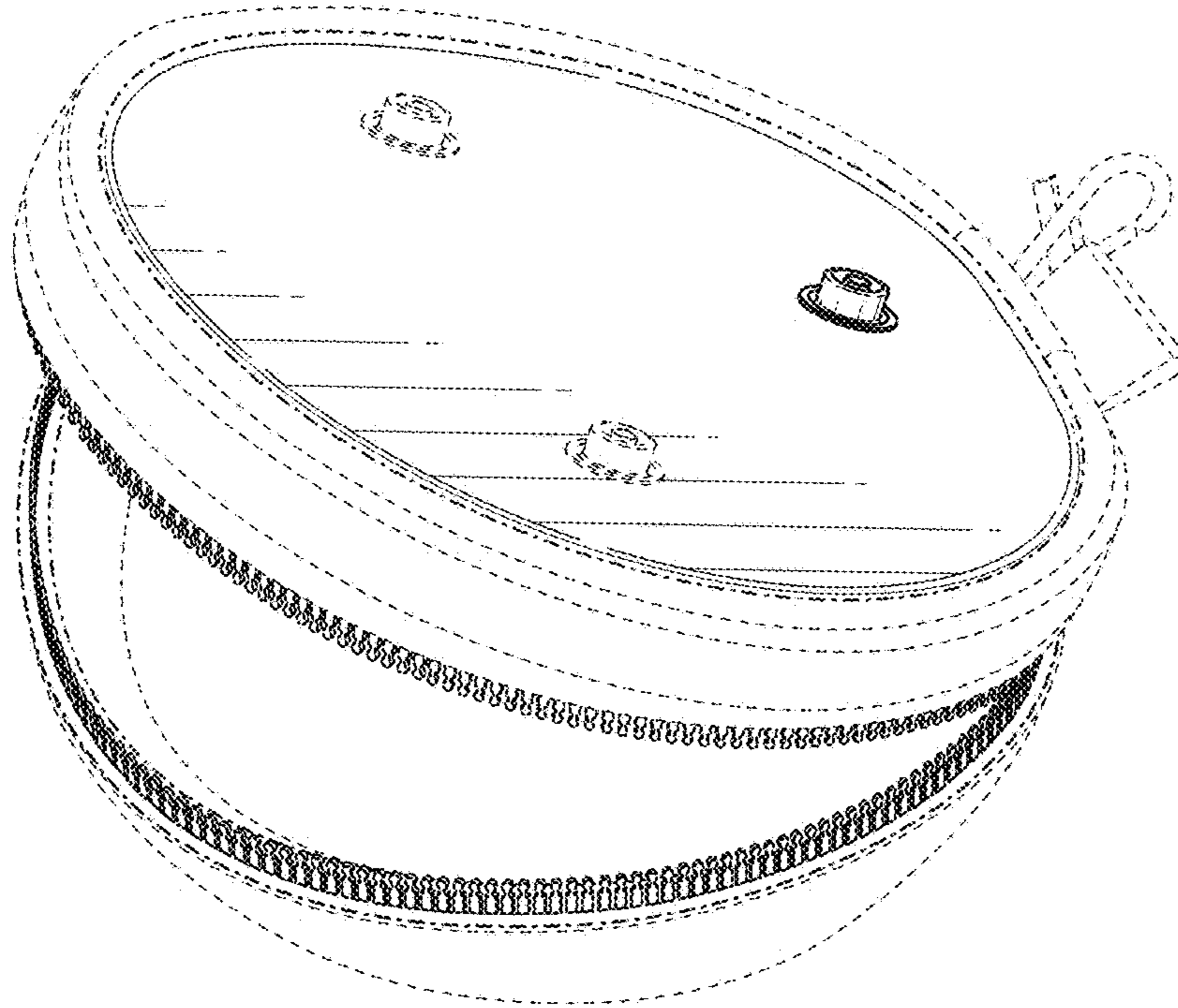


FIG. 9

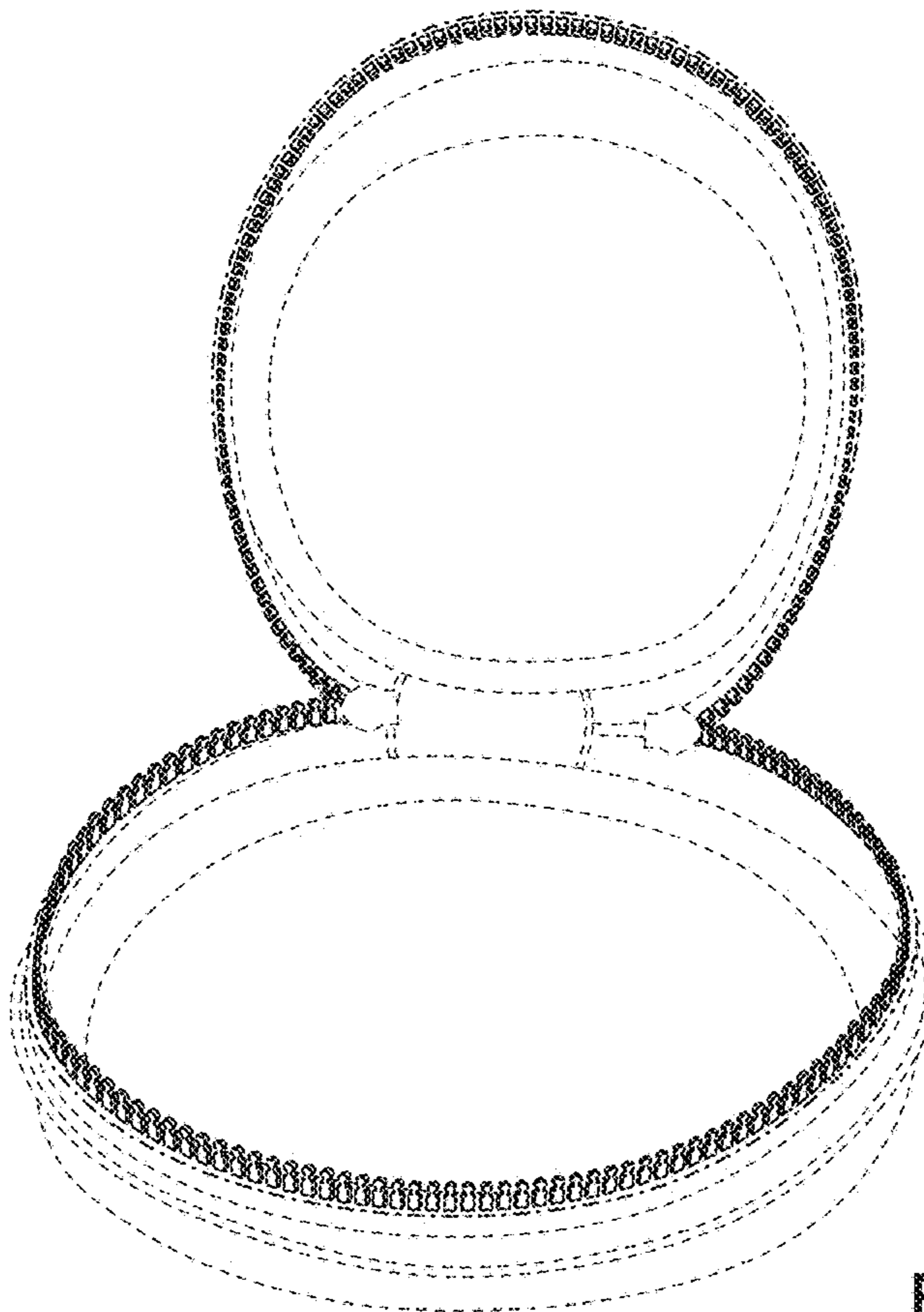


FIG. 10