



US00D846277S

(12) **United States Design Patent**
Tillery et al.

(10) **Patent No.:** **US D846,277 S**
(45) **Date of Patent:** **** Apr. 23, 2019**

- (54) **COMBINED CARRYING CASE AND TRAY**
- (71) Applicants: **Leah Tillery**, Laurel, MD (US); **James Smythe**, Columbia, MD (US)
- (72) Inventors: **Leah Tillery**, Laurel, MD (US); **James Smythe**, Columbia, MD (US)
- (**) Term: **15 Years**
- (21) Appl. No.: **29/581,098**
- (22) Filed: **Oct. 17, 2016**
- (51) **LOC (11) Cl.** **03-01**
- (52) **U.S. Cl.**
USPC **D3/274**
- (58) **Field of Classification Search**
USPC D3/203.6, 217, 218, 233, 249, 269, 274,
D3/276, 279, 282, 284, 288, 289, 290,
(Continued)

(56) **References Cited**

U.S. PATENT DOCUMENTS

3,326,445 A 6/1967 Goings
 3,632,161 A 1/1972 Arfaras et al.
 (Continued)

FOREIGN PATENT DOCUMENTS

EP 1405758 4/2004
 WO WO 2004/033255 4/2004

OTHER PUBLICATIONS

Jalopnik, "The Mercedes S-Class Has The Best Fold-Out Table Ever", Accessed Oct. 25, 2017, Article posted Sep. 13, 2013. (<https://jalopnik.com/the-mercedes-s-class-has-the-best-fold-out-table-ever-1308425887>).*

Primary Examiner — Jennifer Rivard
Assistant Examiner — April Rivas

(74) *Attorney, Agent, or Firm* — Hoang Steve Ngo

(57) **CLAIM**

The ornamental design for a combined carrying case and tray, as shown and described.

DESCRIPTION

FIG. 1 is a front, left side, perspective view of a combined carrying case and tray according to the present invention, wherein a carrying case has an open top and a tray is in a stowed position;
 FIG. 2 is a front, right side, perspective view of the combined carrying case and tray of FIG. 1;
 FIG. 3 is a right side view of the combined carrying case and tray of FIG. 1;
 FIG. 4 is a left side view of the combined carrying case and tray of FIG. 1;
 FIG. 5 is a rear, right side, perspective view of the combined carrying case and tray of FIG. 1;
 FIG. 6 is a rear, left side, perspective view of the combined carrying case and tray of FIG. 1;
 FIG. 7 is a right side, perspective view of the combined carrying case and tray of FIG. 1;
 FIG. 8 is a left side, perspective view of the combined carrying case and tray of FIG. 1;
 FIG. 9 is a bottom view of the combined carrying case and tray of FIG. 1;
 FIG. 10 is a top view of the combined carrying case and tray of FIG. 1;
 FIG. 11 is a rear view of the combined carrying case and tray of FIG. 1;
 FIG. 12 is a front view of the combined carrying case and tray of FIG. 1;
 FIG. 13 is a front, left side, perspective view of a combined carrying case and tray according to the present invention, wherein a carrying case has a substantially-closed top and a tray is in a stowed position;
 FIG. 14 is a front, right side, perspective view of the combined carrying case and tray of FIG. 13;
 FIG. 15 is a right side view of the combined carrying case and tray of FIG. 13;
 FIG. 16 is a left side view of the combined carrying case and tray of FIG. 13;
 FIG. 17 is a rear, left side, perspective view of the combined carrying case and tray of FIG. 13;

(Continued)

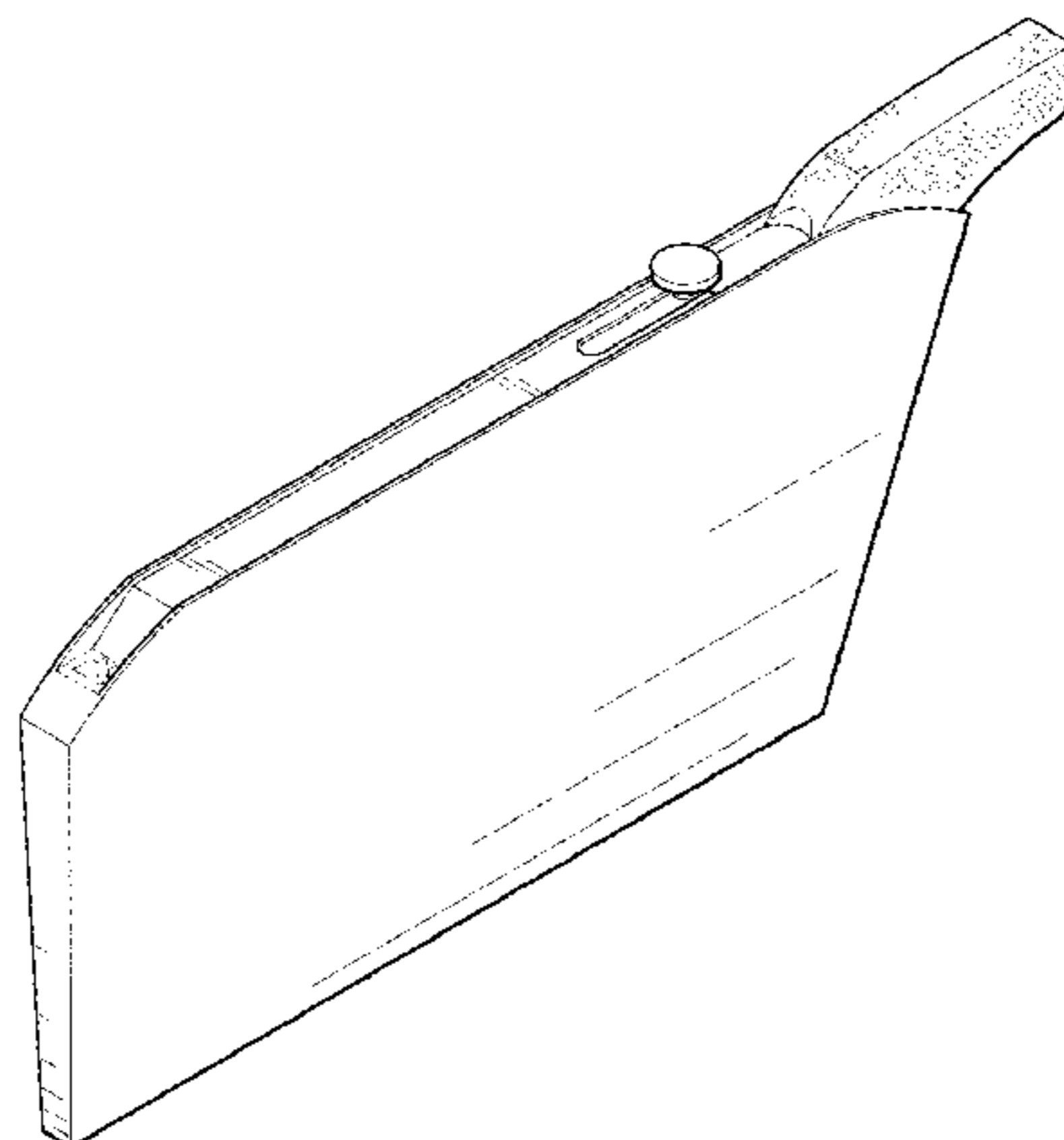


FIG. 18 is a rear, right side, perspective view of the combined carrying case and tray of FIG. 13;
 FIG. 19 is a right side, perspective view of the combined carrying case and tray of FIG. 13;
 FIG. 20 is a left side, perspective view of the combined carrying case and tray of FIG. 13;
 FIG. 21 is a top view of the combined carrying case and tray of FIG. 13;
 FIG. 22 is a bottom view of the combined carrying case and tray of FIG. 13;
 FIG. 23 is a rear view of the combined carrying case and tray of FIG. 13; and,
 FIG. 24 is a front view of the combined carrying case and tray of FIG. 13.
 The broken lines illustrate portions of the combined carrying case and tray and form no part of the claimed design.

1 Claim, 12 Drawing Sheets

(58) **Field of Classification Search**

USPC D3/900, 901, 902, 905, 313, 903, 272,
 D3/302, 261; D12/425, 426.1, 415
 CPC .. B65D 85/68; A45C 3/00; A45C 5/00; A45C
 2003/007; A45C 2003/008; A45C 5/03;
 A45C 5/04; A45C 7/0036; A45C
 2009/007; A45C 11/16; A45C 7/00; A45C
 7/0059

See application file for complete search history.

(56)

References Cited

U.S. PATENT DOCUMENTS

4,174,669	A	11/1979	Lalonde	
4,359,004	A	11/1982	Chappell	
4,524,701	A	6/1985	Chappell	
5,279,488	A	1/1994	Fleming	
5,425,455	A	6/1995	Miller et al.	
5,588,697	A	12/1996	Yoshida et al.	
6,347,590	B1	2/2002	D'Annunzio et al.	
7,798,072	B2	9/2010	Becker et al.	
7,963,231	B2 *	6/2011	Osborne	A47B 5/006 108/40
D661,892	S *	6/2012	Ramos	D3/218
D676,655	S *	2/2013	Lin	D3/294
D708,849	S *	7/2014	Armstrong	D3/276
8,894,121	B2	11/2014	Eilers et al.	
9,027,486	B1 *	5/2015	Berkovitz	B60N 2/468 108/40
D784,015	S *	4/2017	Woodhouse	D3/276
2008/0083351	A1 *	4/2008	Lippert	A47B 3/10 108/44
2010/0019118	A1 *	1/2010	Nagpal	A45C 5/02 248/460
2014/0216873	A1 *	8/2014	Torres Montes	A45C 9/003 190/11
2014/0305349	A1	10/2014	Lippert et al.	
2017/0164729	A1 *	6/2017	Dashti	A47B 3/10

* cited by examiner

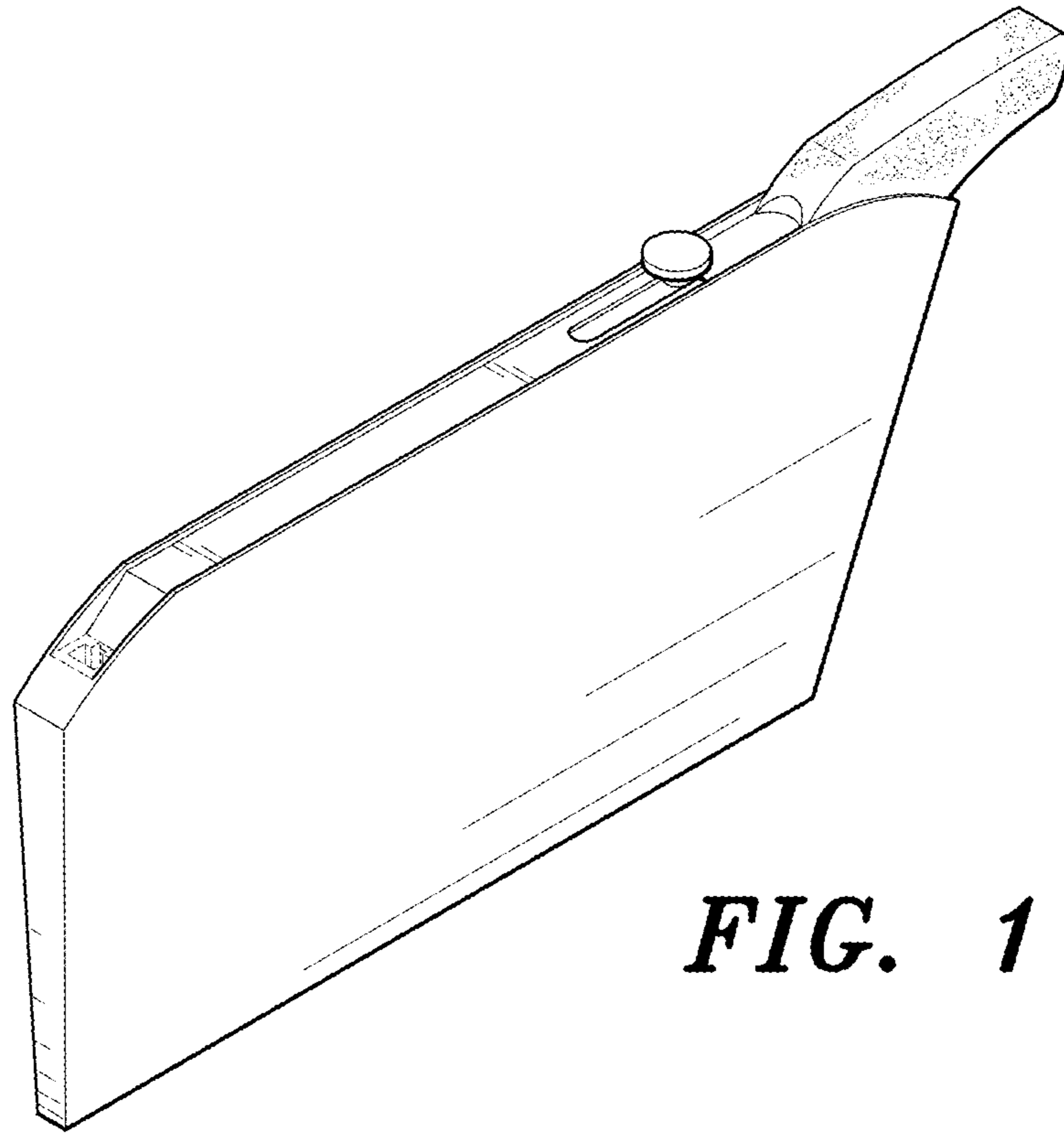


FIG. 1

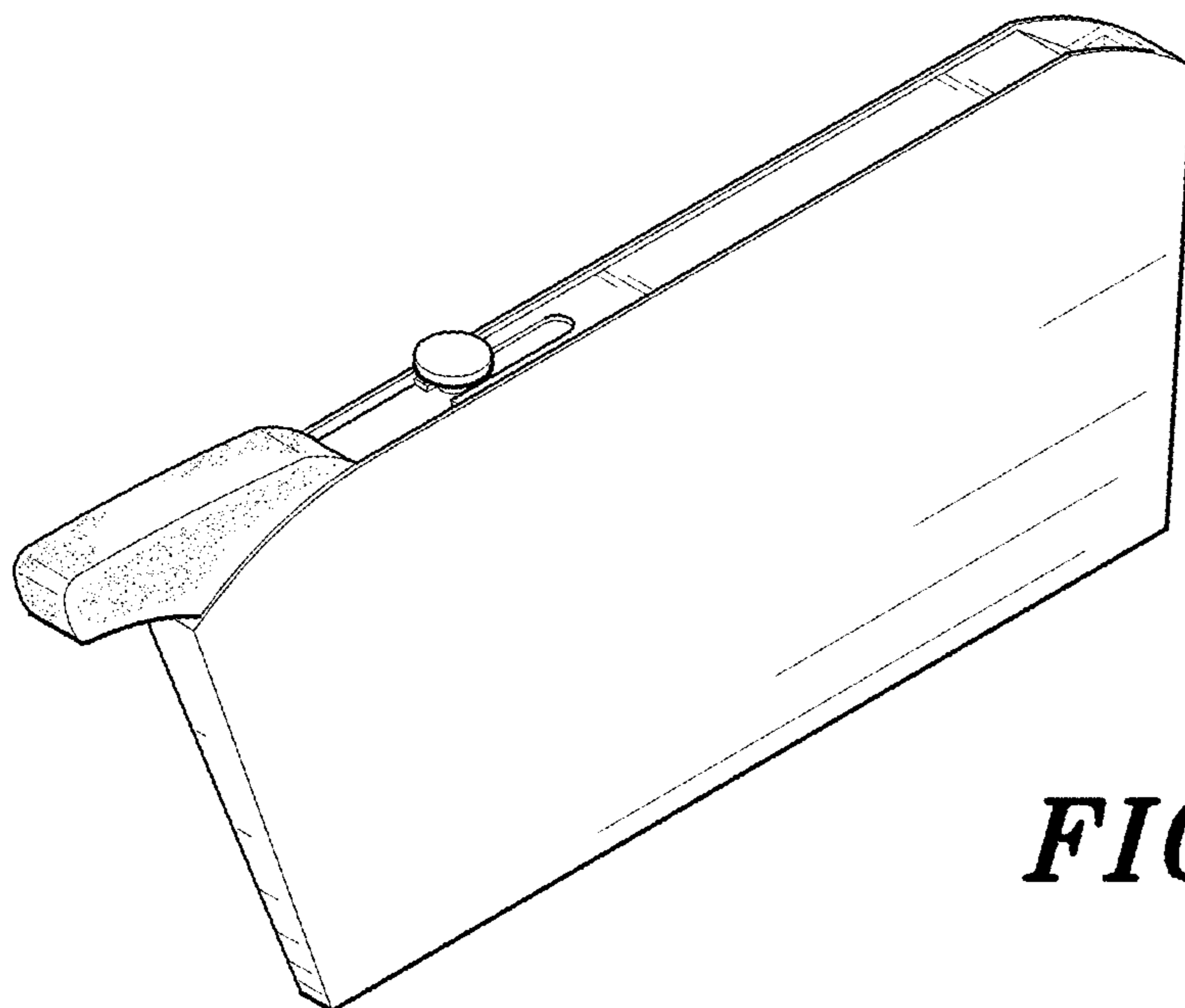


FIG. 2

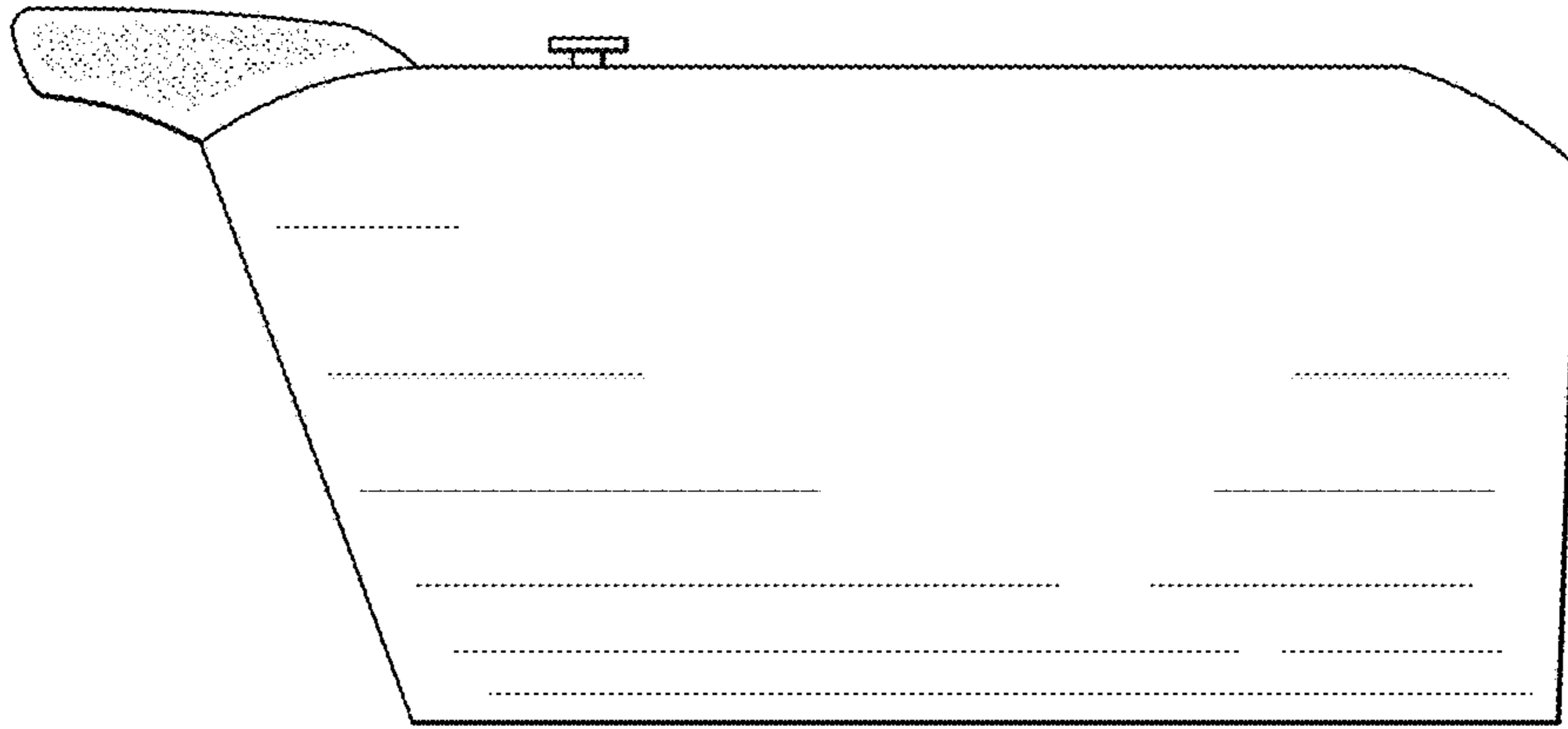


FIG. 3

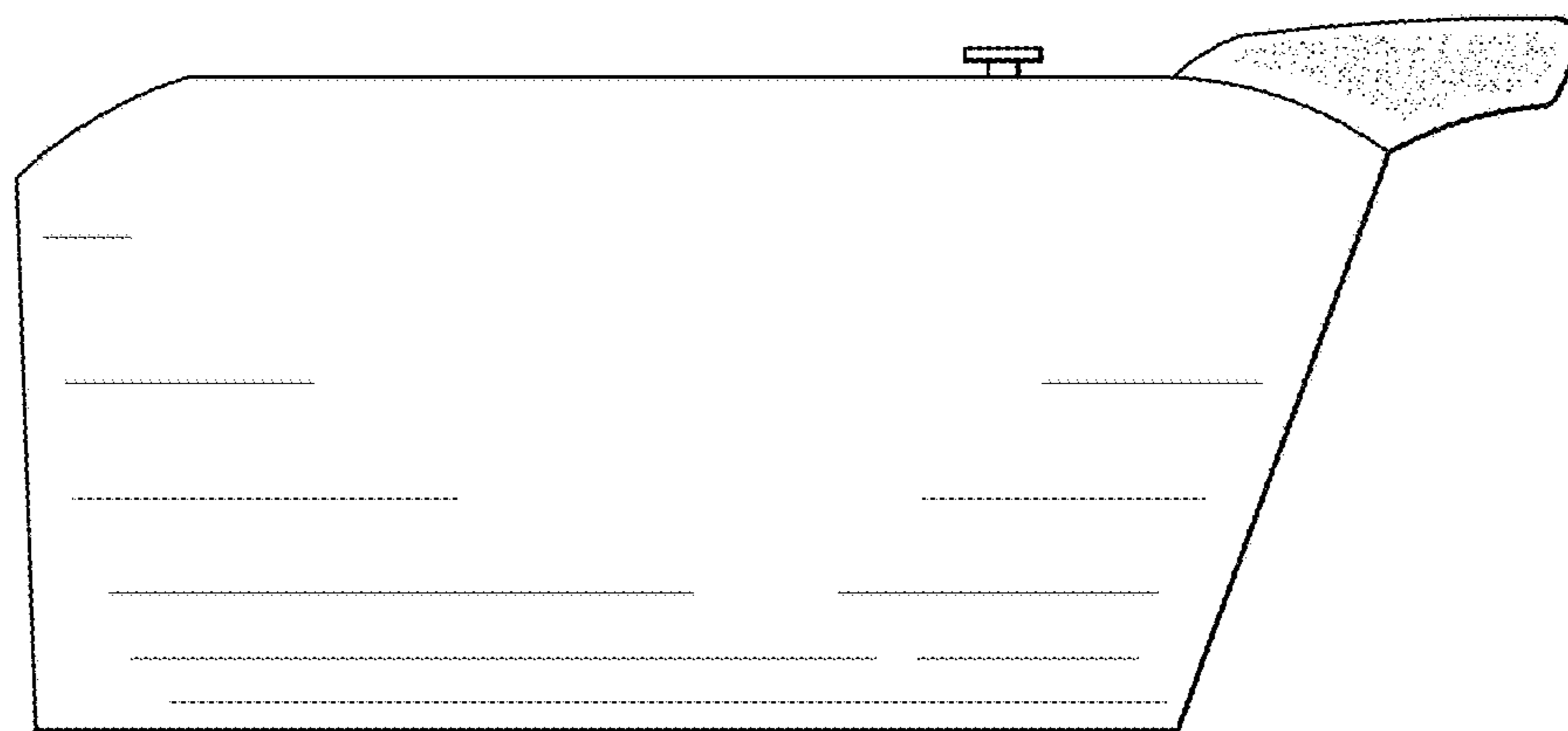


FIG. 4

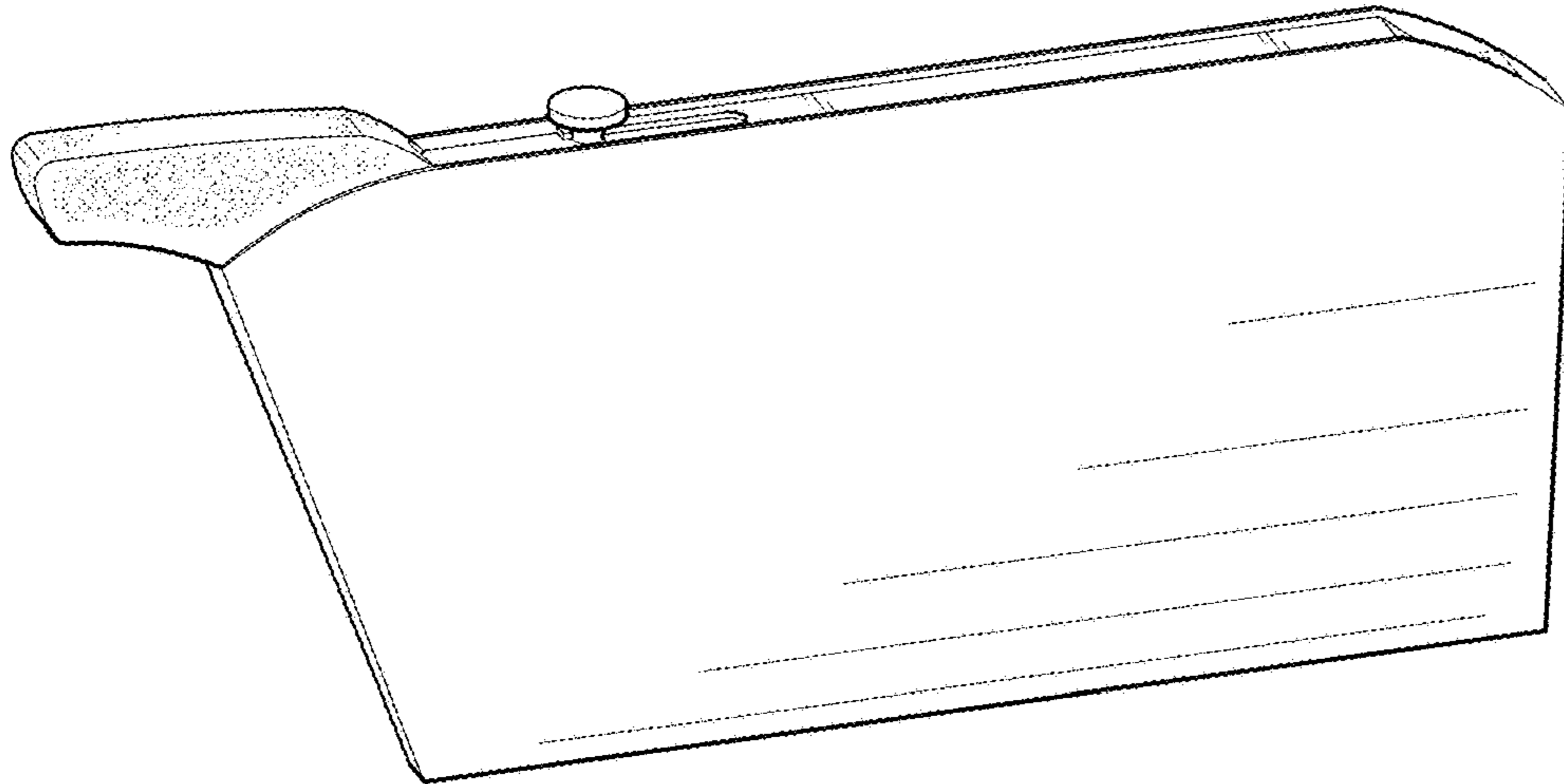


FIG. 5

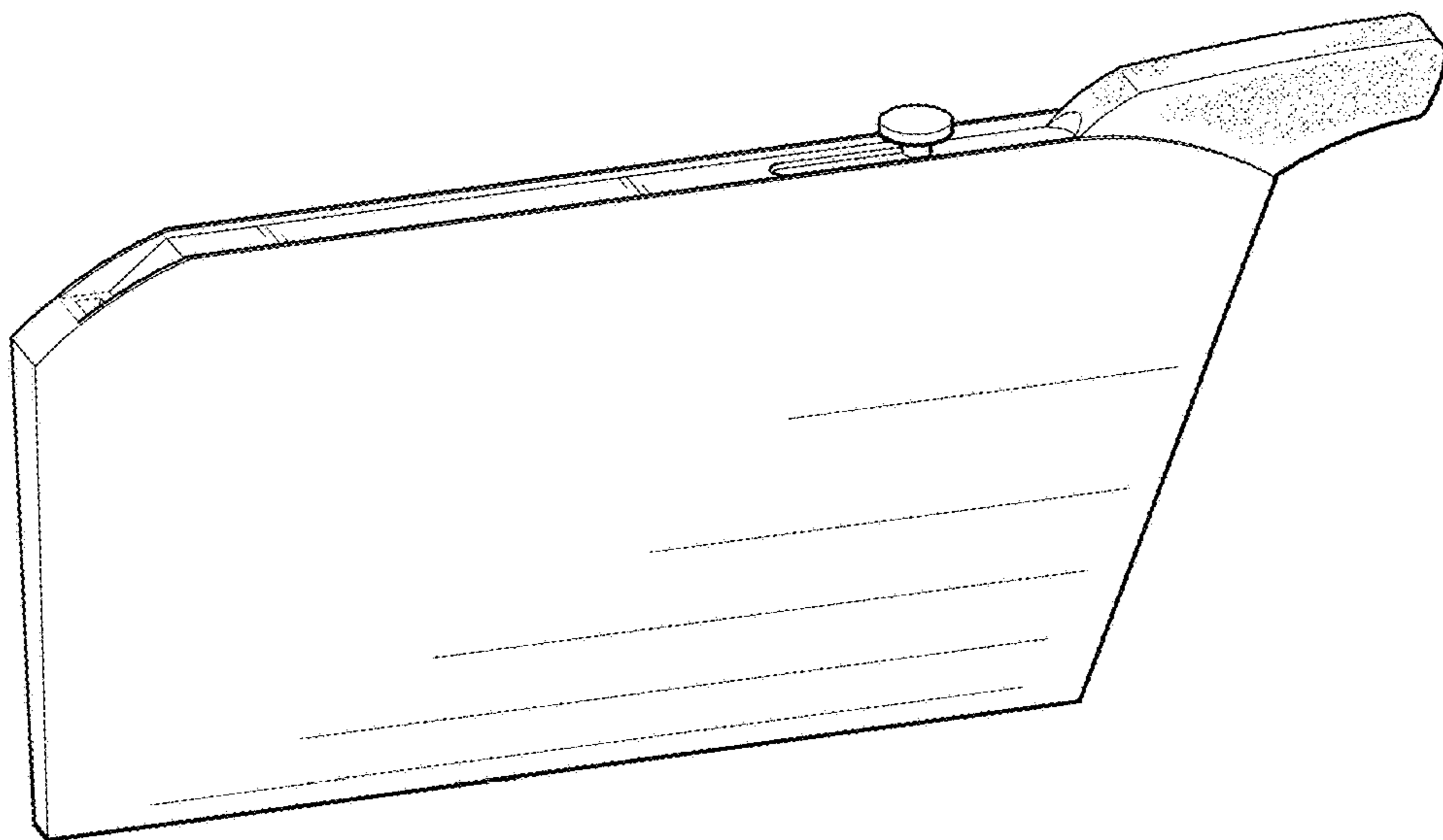


FIG. 6

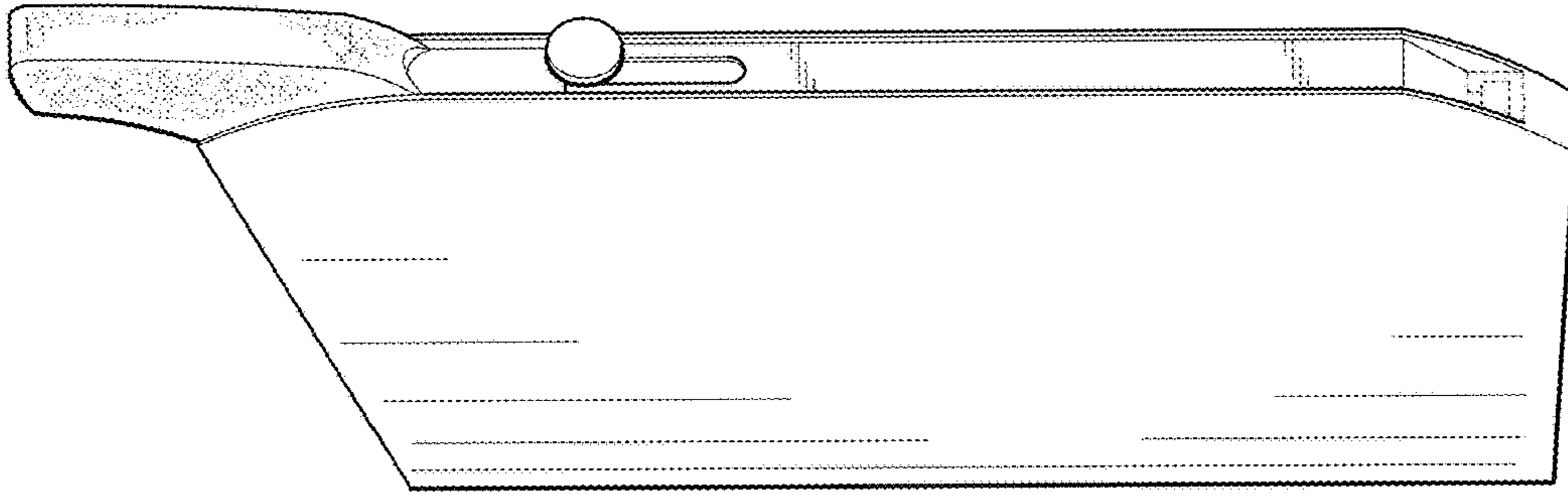


FIG. 7

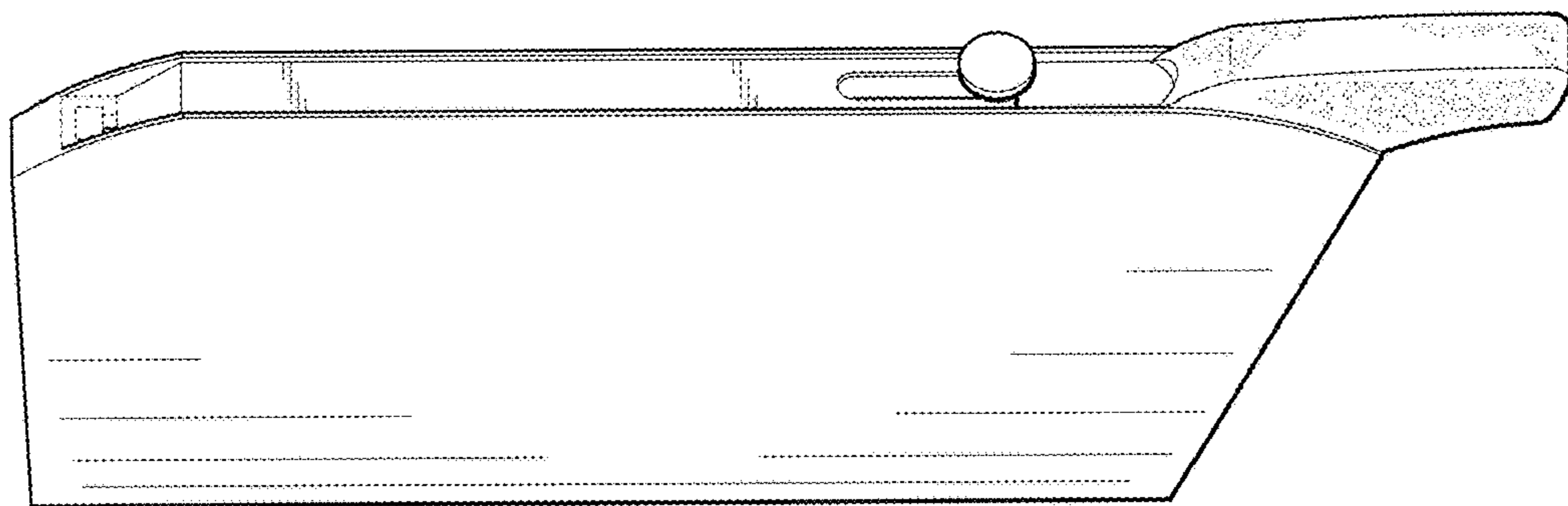


FIG. 8



FIG. 9

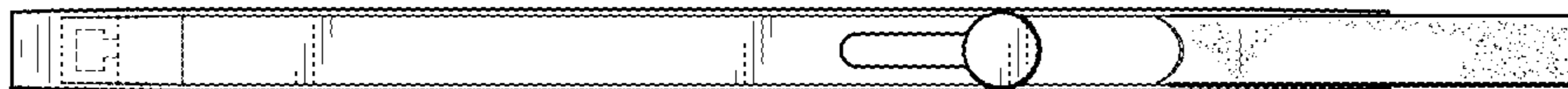


FIG. 10

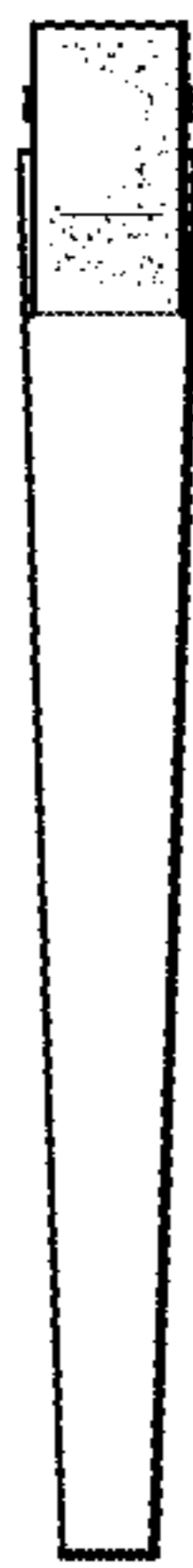


FIG. 11



FIG. 12

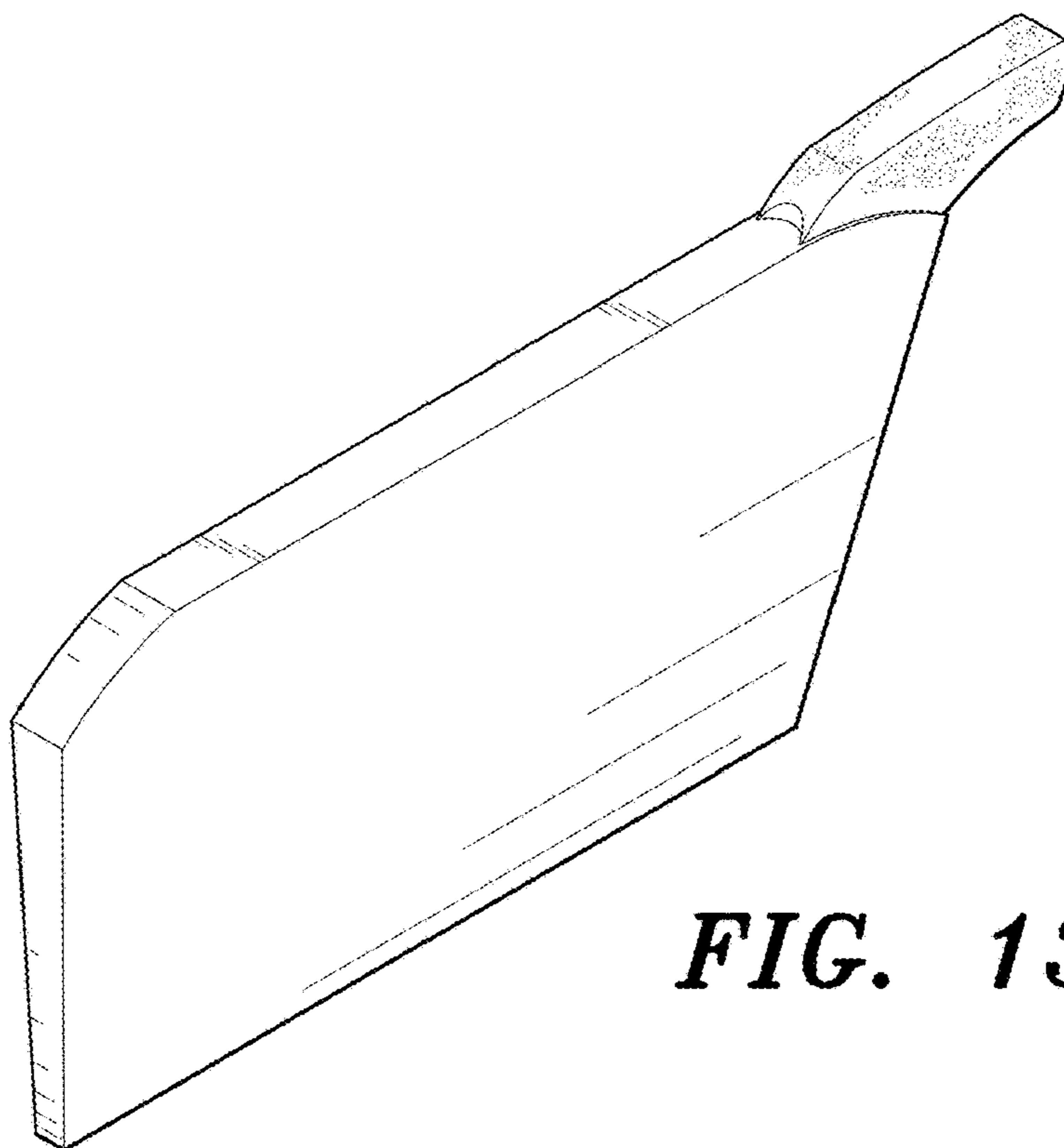


FIG. 13

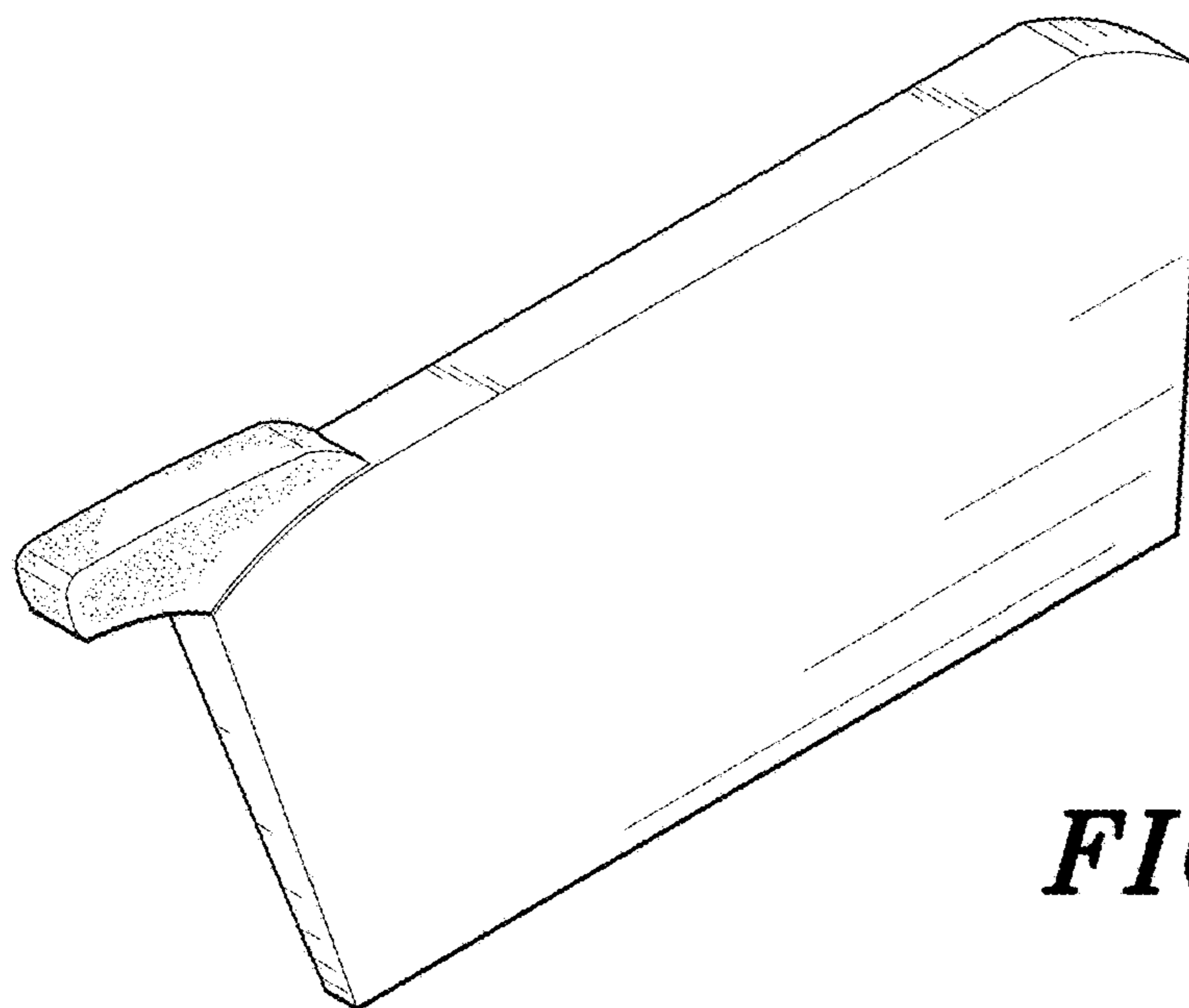


FIG. 14

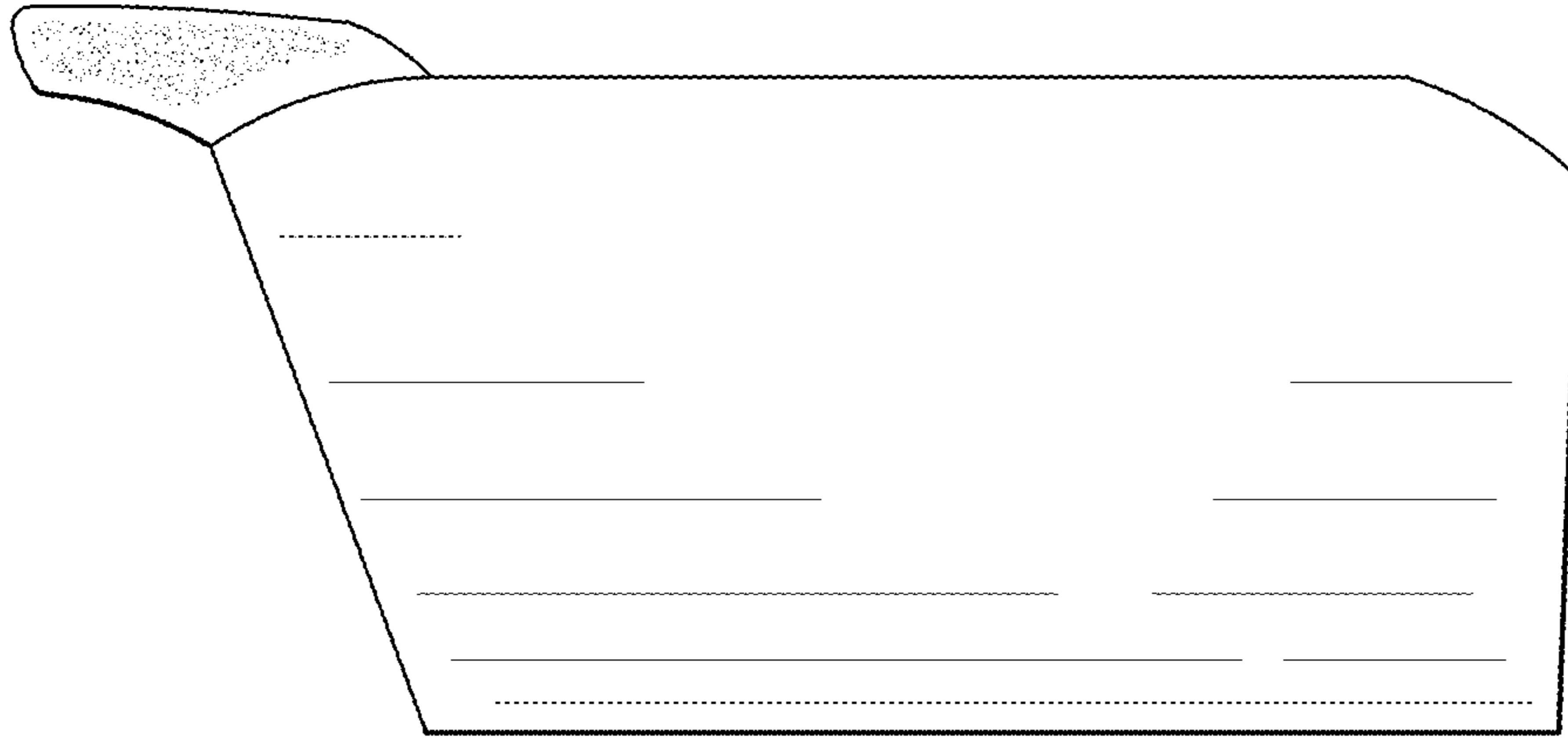


FIG. 15

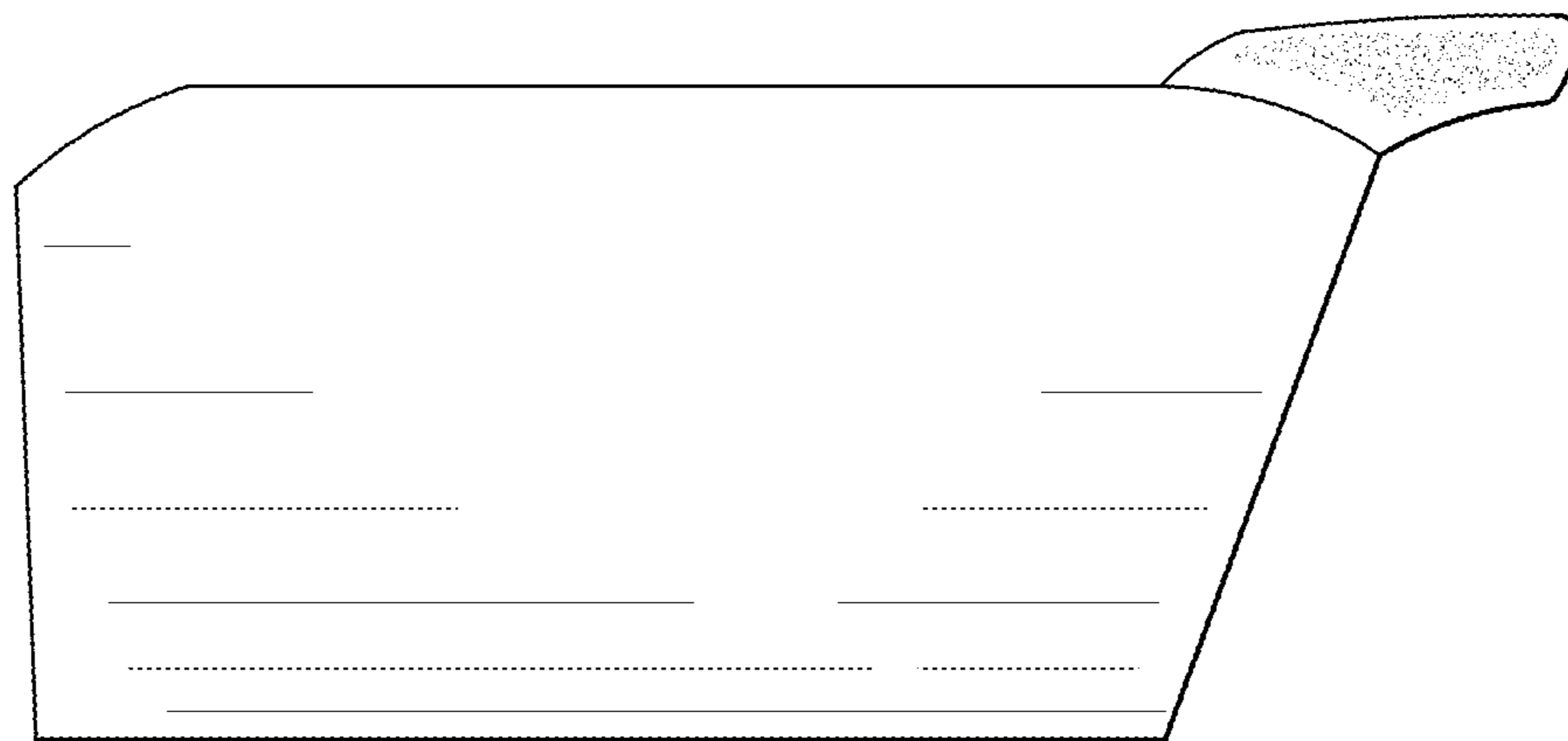


FIG. 16

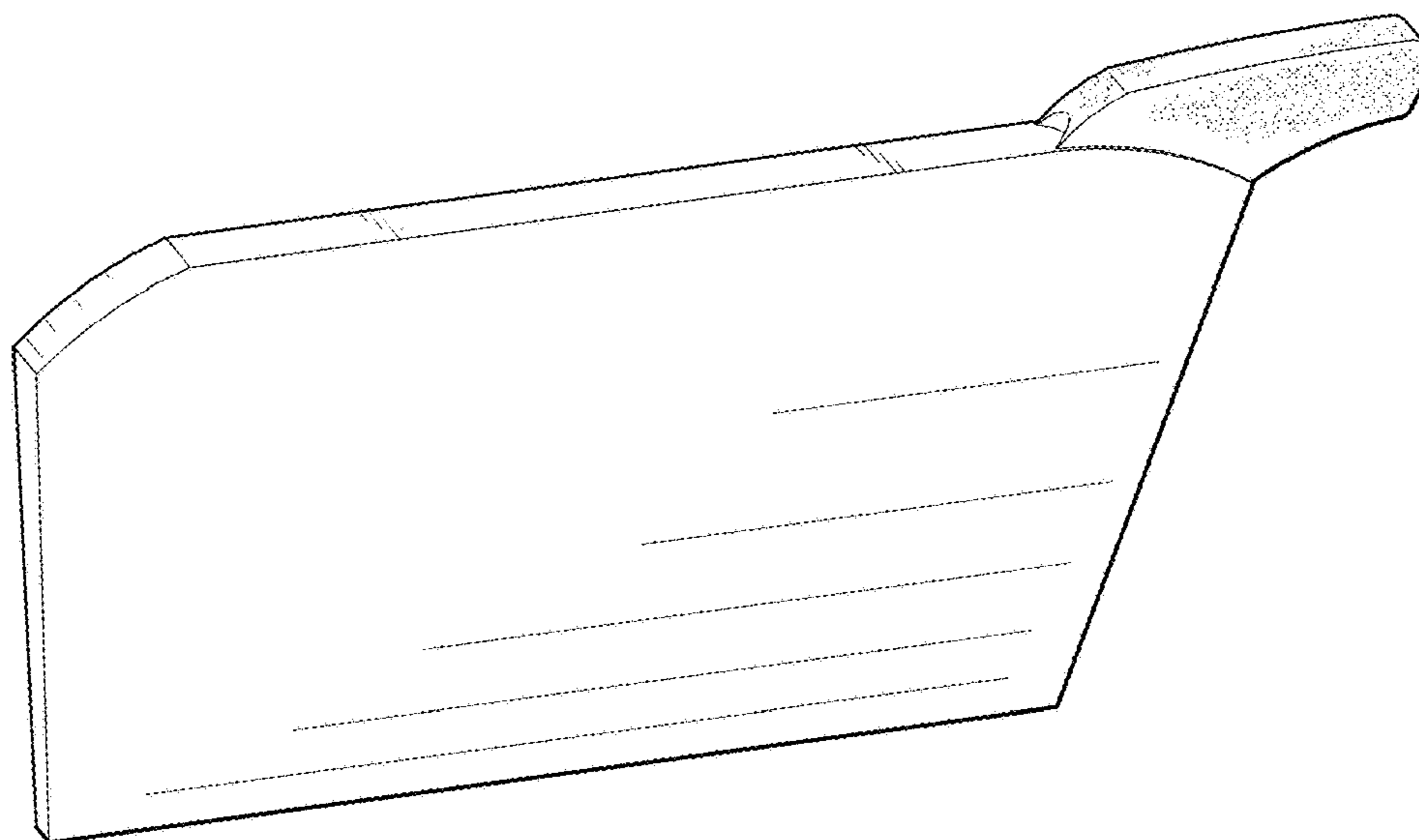


FIG. 17

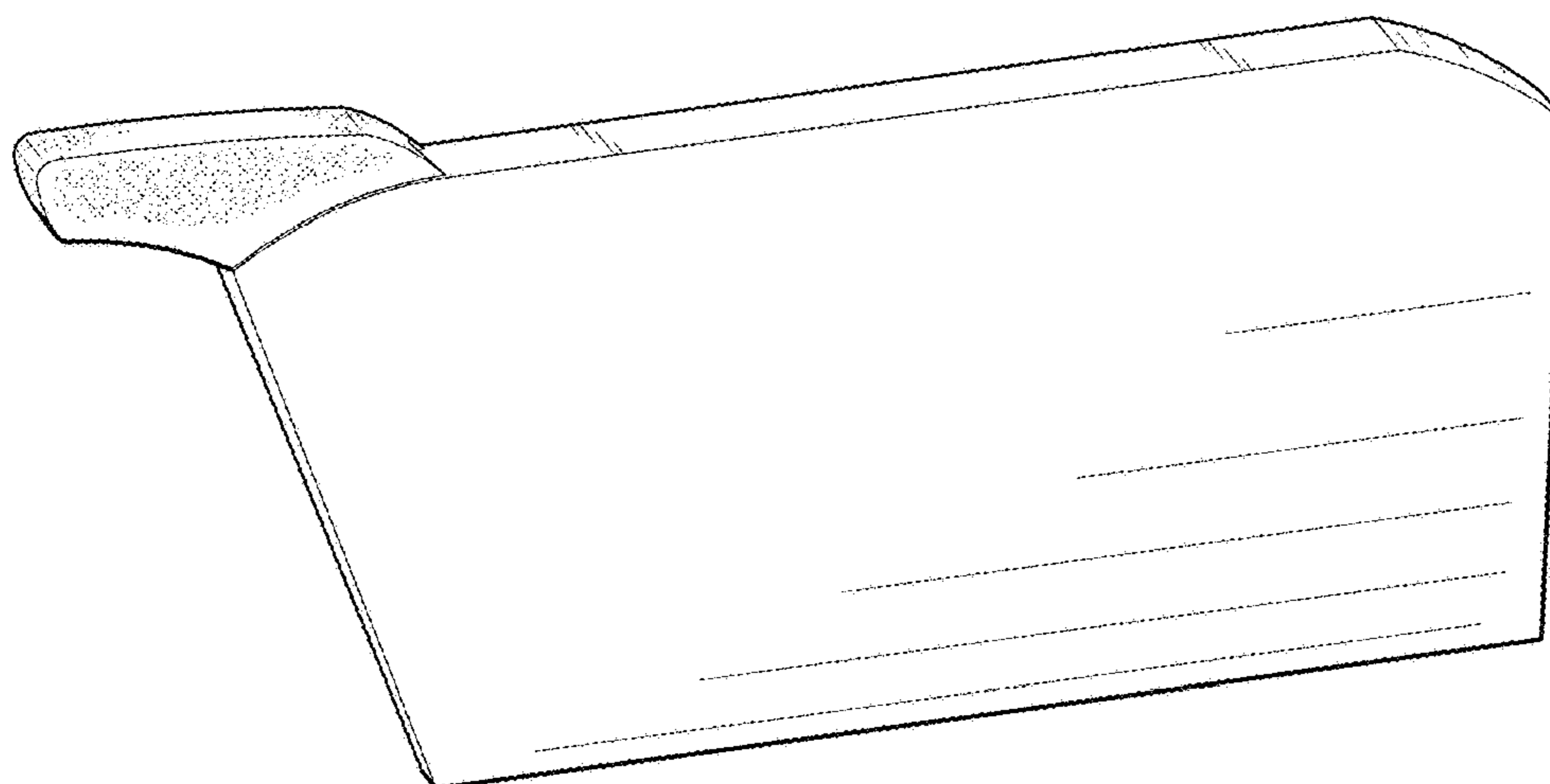


FIG. 18

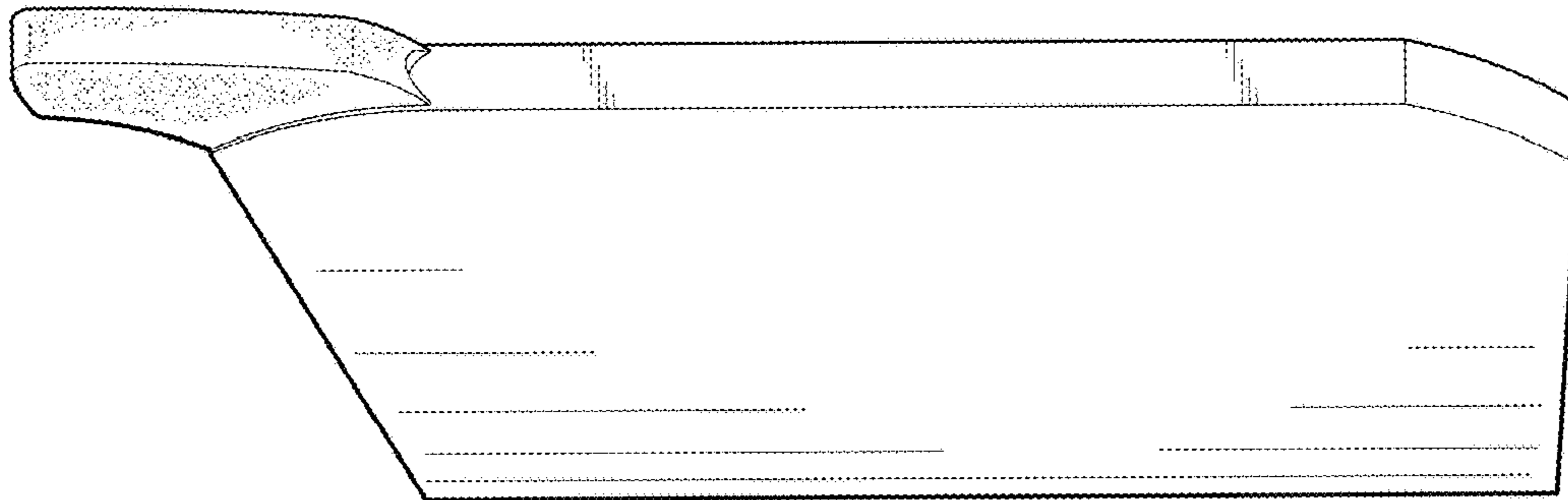


FIG. 19

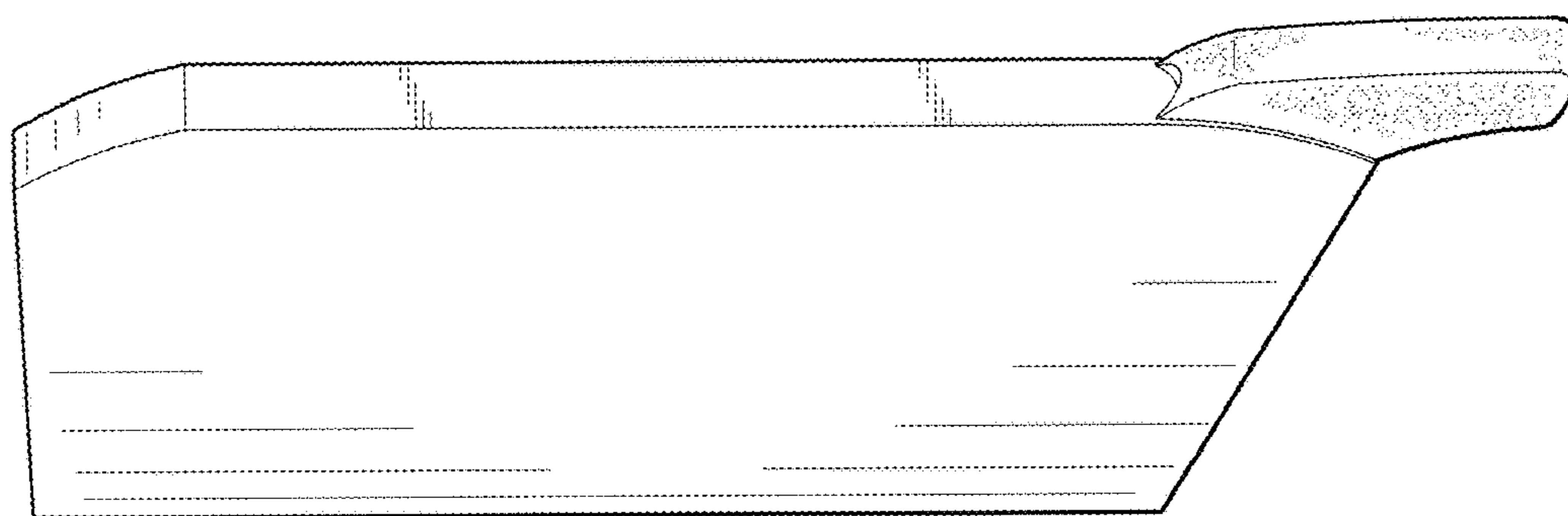


FIG. 20



FIG. 21

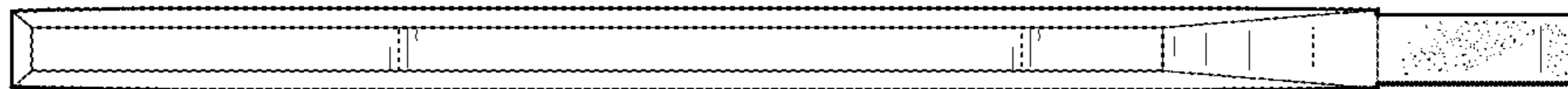


FIG. 22

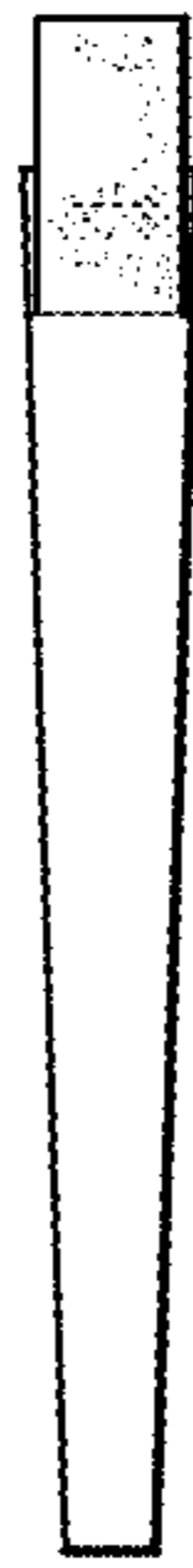


FIG. 23



FIG. 24