

US00D846276S

(12) **United States Design Patent** (10) **Patent No.:** **US D846,276 S**  
**Paganis** (45) **Date of Patent:** **\*\* Apr. 23, 2019**

- (54) **CASE AND CARTRIDGE GAUGE**
- (71) Applicant: **The Shooters Box LLC**, Malden, MA (US)
- (72) Inventor: **Stathe Paganis**, Malden, MA (US)
- (73) Assignee: **The Shooter's Box, LLC**, Malden, MA (US)
- (\*\*) Term: **15 Years**
- (21) Appl. No.: **29/634,403**
- (22) Filed: **Jan. 22, 2018**
- (51) **LOC (11) Cl.** ..... **03-01**
- (52) **U.S. Cl.**  
USPC ..... **D3/262; D22/108**
- (58) **Field of Classification Search**  
USPC ..... D22/108; 206/3; D3/201, 215, 216, 217, D3/219, 221, 222, 223, 224, 225, 226, D3/227, 230, 232, 239, 254, 255, 256, D3/257, 258, 259, 260, 261, 262, 263, D3/265, 271.9, 271.11, 271.12, 273, 303, D3/274, 276, 282, 283, 284, 285, 286, D3/287, 288, 290, 291, 293, 294, 295  
CPC ..... F42B 39/26; F42B 39/02; F42B 39/28  
See application file for complete search history.

(56) **References Cited**  
U.S. PATENT DOCUMENTS

2,465,182	A	3/1949	Windnagle	
4,918,825	A	4/1990	Lesh et al.	
5,546,667	A	8/1996	Thalhammer	
D679,774	S *	4/2013	Burzel	D22/108
D764,621	S *	8/2016	Dueck	D22/108
D768,873	S	10/2016	Stedman et al.	
9,612,097	B1 *	4/2017	Gross	F42B 39/26
D790,648	S *	6/2017	Pezeshk	D22/108
D792,545	S *	7/2017	Green	D22/108
D792,549	S *	7/2017	McKillips	D22/108

D802,700	S *	11/2017	Shults	D22/108
2011/0174639	A1 *	7/2011	Sibley	F42B 39/22
				206/3
2015/0021216	A1 *	1/2015	Blagojevic	B65D 53/00
				206/223

(Continued)

**OTHER PUBLICATIONS**

Case / Ammunition Gauge, 9mm Case & Ammunition Gauge—All New Tri-Step Face design, posted at theshootersbox.com, available Sep. 4, 2018, online, URL: [https://web.archive.org/web/20180904021759/http://www.theshootersbox.com/Case-Ammunition-Gauge\\_c\\_1223.html](https://web.archive.org/web/20180904021759/http://www.theshootersbox.com/Case-Ammunition-Gauge_c_1223.html) (Year: 2018).\*

(Continued)

*Primary Examiner* — Anhdao Doan  
*Assistant Examiner* — Mary Shannon Malley  
(74) *Attorney, Agent, or Firm* — Antoinette G Giugliano; AGG Intellectual Property Law

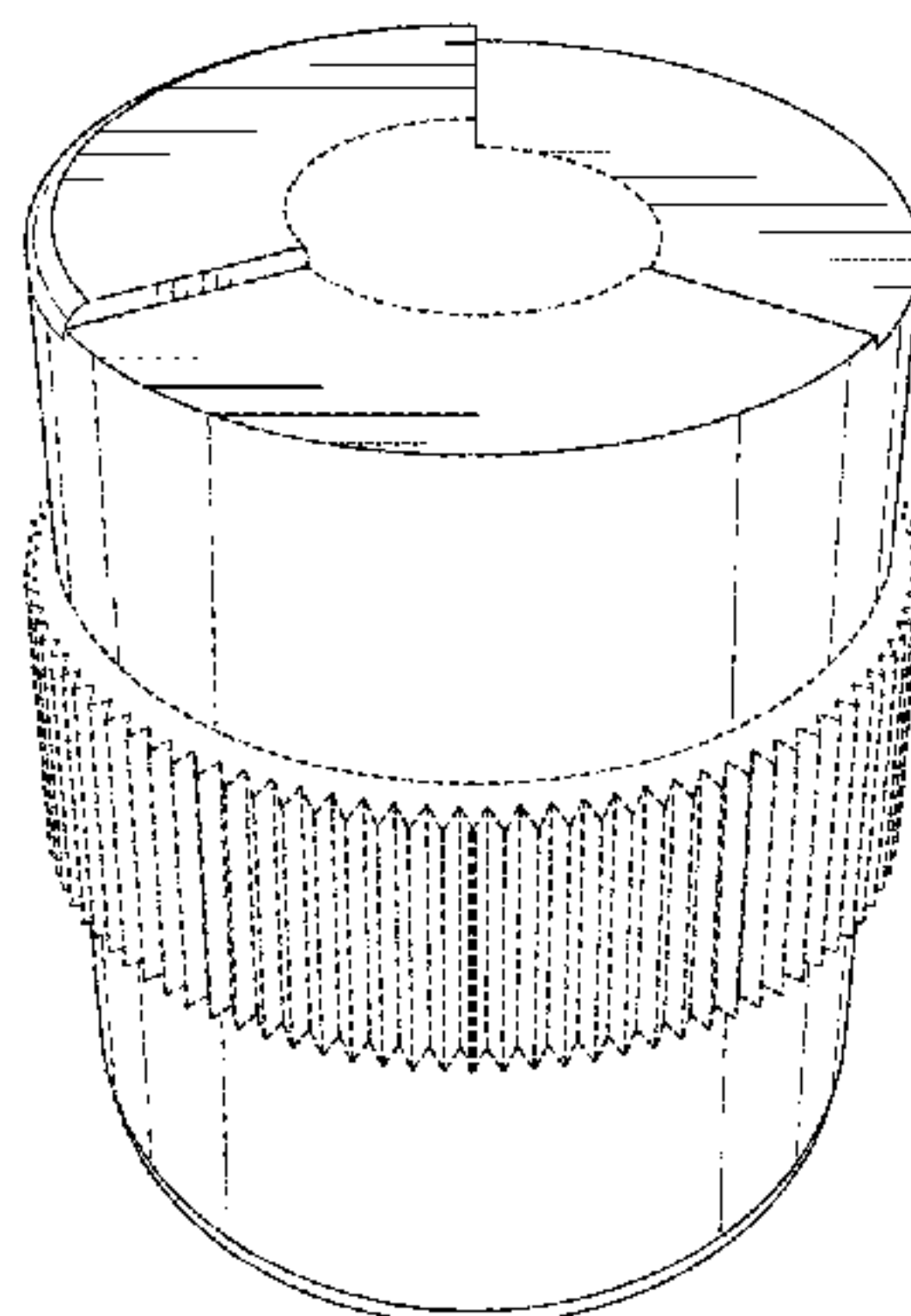
(57) **CLAIM**

The ornamental design for a case and cartridge gauge, as shown and described.

**DESCRIPTION**

FIG. 1 is a perspective view of the case and cartridge gauge, for use with a cartridge or case.  
FIG. 2 is a rear elevation view thereof.  
FIG. 3 is a front elevation view thereof.  
FIG. 4 is a left side elevation view thereof.  
FIG. 5 is a right side elevation view thereof.  
FIG. 6 is a top view thereof.  
FIG. 7 is a bottom view thereof.  
FIG. 8 is a perspective view with a cartridge shown above, to be inserted; and,  
FIG. 9 is a perspective view with a cartridge inserted into the case and cartridge gauge.  
The broken lines show portions of the case and cartridge gauge that form no part of the claimed design.

**1 Claim, 9 Drawing Sheets**



(56)

**References Cited**

U.S. PATENT DOCUMENTS

2016/0010968 A1\* 1/2016 Jacques ..... F42B 39/02  
224/660  
2017/0299351 A1 10/2017 Baxter et al.  
2017/0328658 A1\* 11/2017 Butler ..... F42B 39/26  
2018/0310644 A1\* 11/2018 Poupyrev ..... G06F 3/167

OTHER PUBLICATIONS

The Shooter's Box LLC, "Case/Ammunition Gauge" [http://www.theshootersbox.com/Case-Ammunition-Gauge\\_c\\_1223.html](http://www.theshootersbox.com/Case-Ammunition-Gauge_c_1223.html) ; Downloaded Jan. 8, 2018.

Sheridan Engineering, "Gauges, Ammunition Gauges." <http://www.sheridanengineering.com/index-1.htm> ; Downloaded Jan. 8, 2018.

Dillon Precision "Dillon Precision Handgun Case Gage 45 ACP Stainless Steel Casegage" [https://www.amazon.com/Dillon-Precision-Handgun-Stainless-Casegage/dp/B00COTKM0S/ref=sr\\_1\\_2?ie=UTF8&qid=1515440457&sr=8-2&keywords=dillon+case+gage](https://www.amazon.com/Dillon-Precision-Handgun-Stainless-Casegage/dp/B00COTKM0S/ref=sr_1_2?ie=UTF8&qid=1515440457&sr=8-2&keywords=dillon+case+gage) ; Downloaded Jan. 8, 2018.

L.E. Wilson "L.E. Wilson CG-223R Remington Case Gage" [https://www.amazon.com/L-Wilson-CG-223R-Remington/dp/B00M7D03PA/ref=sr\\_1\\_sc\\_1?s=sporting-goods&ie=UTF8&qid=1515440593&sr=1-1-spell&keywords=willson+case+gage](https://www.amazon.com/L-Wilson-CG-223R-Remington/dp/B00M7D03PA/ref=sr_1_sc_1?s=sporting-goods&ie=UTF8&qid=1515440593&sr=1-1-spell&keywords=willson+case+gage) ; Downloaded Jan. 8, 2018.

Hornady "Hornady HK66 Lock-N-Load Headspace Gauge Kit with Body" [https://www.amazon.com/Hornady-HK66-Lock-N-Load-Headspace-Gauge/dp/B000PD5VN8/ref=sr\\_1\\_1?ie=UTF8&qid=1515440712&sr=8-1&keywords=hornady+case+gage](https://www.amazon.com/Hornady-HK66-Lock-N-Load-Headspace-Gauge/dp/B000PD5VN8/ref=sr_1_1?ie=UTF8&qid=1515440712&sr=8-1&keywords=hornady+case+gage) ; Downloaded Jan. 8, 2018.

\* cited by examiner

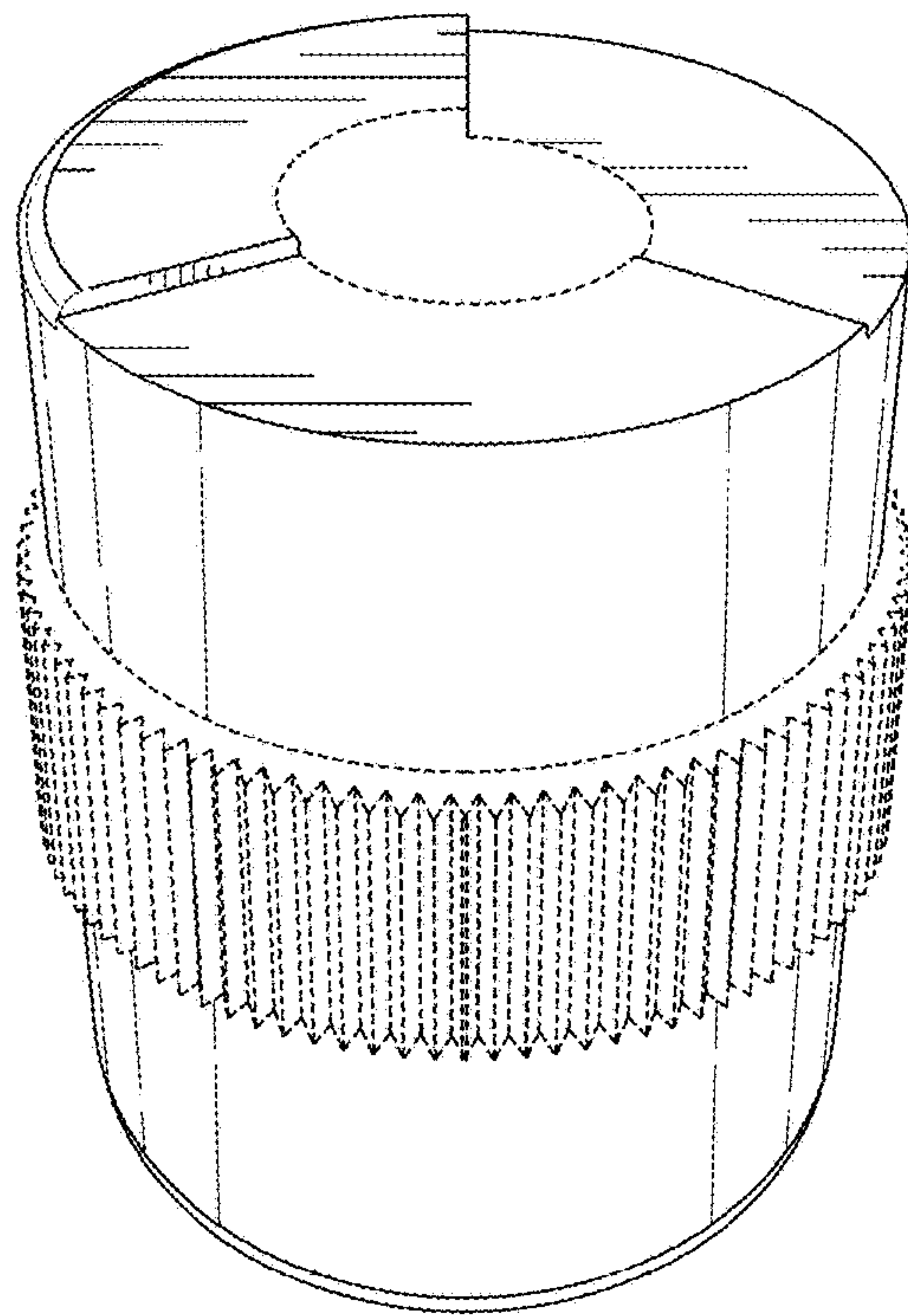


FIG. 1

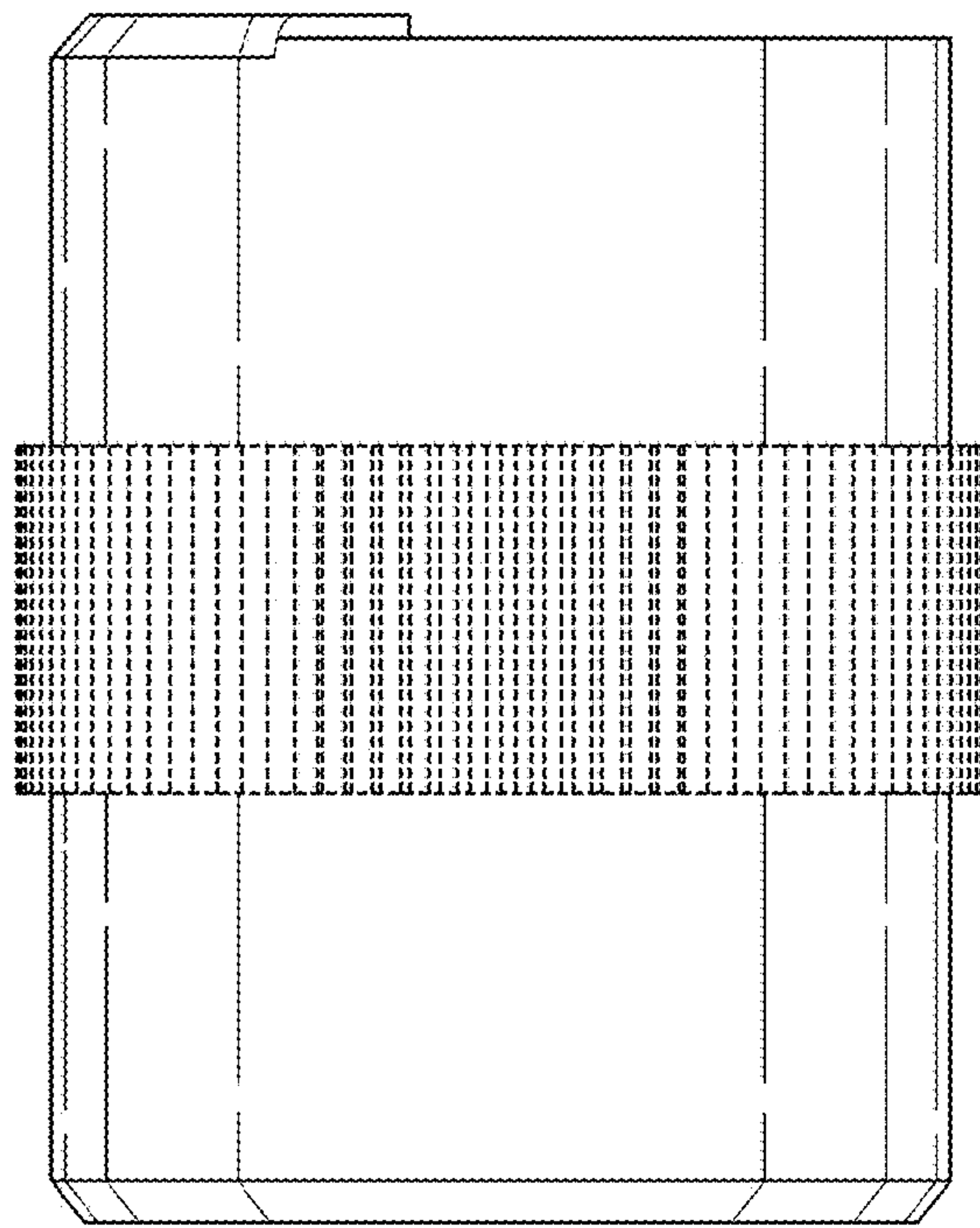


FIG. 2

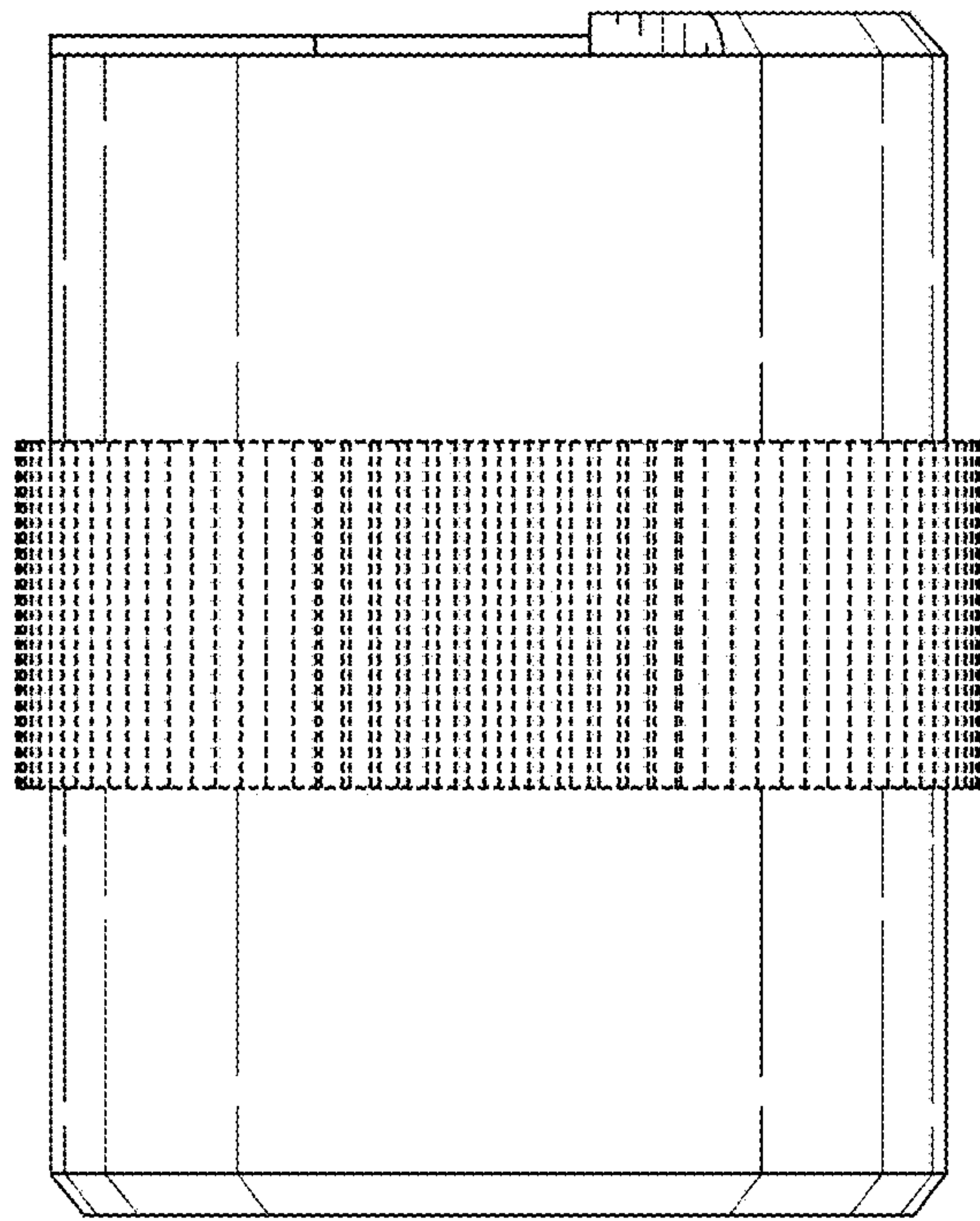


FIG. 3



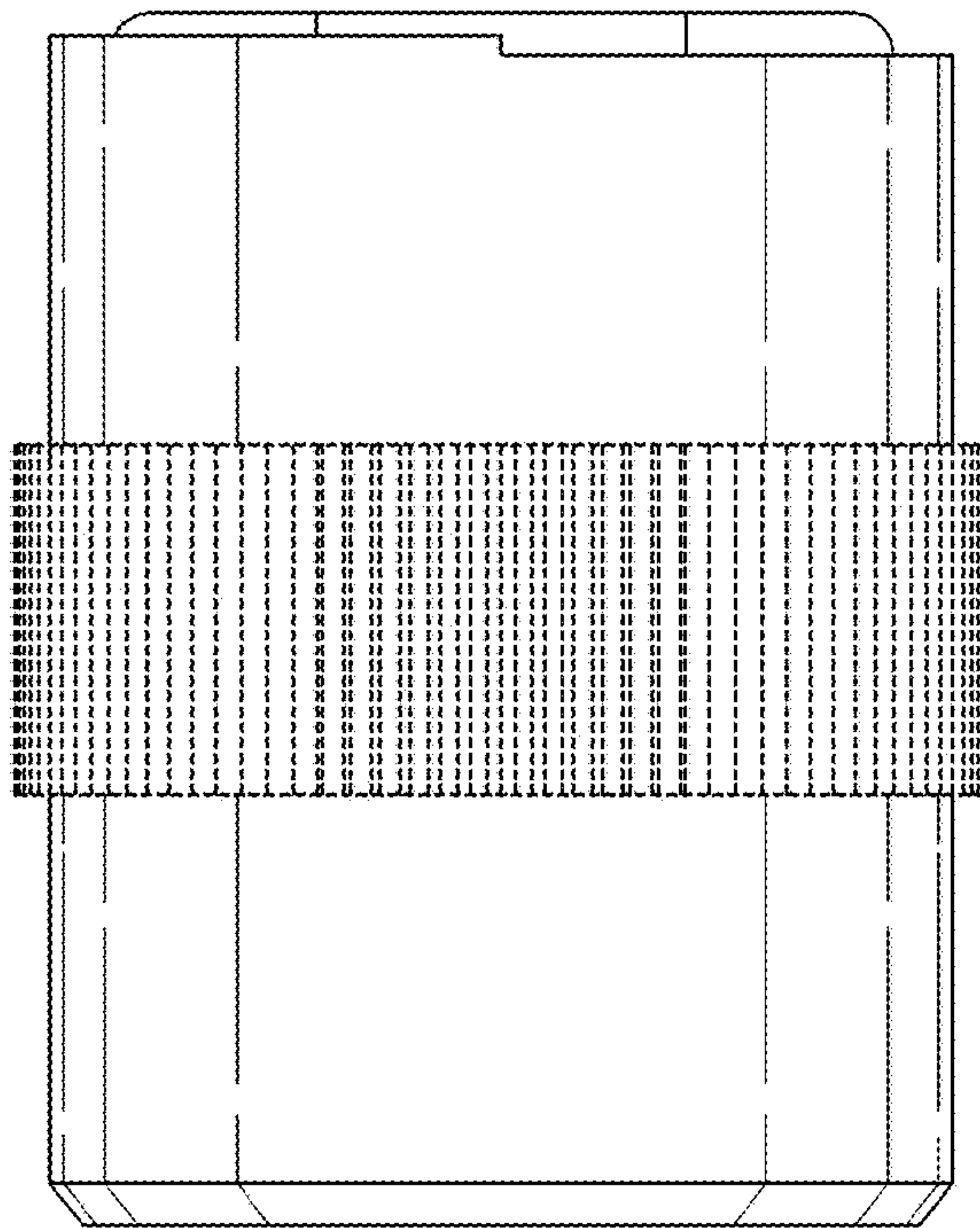


FIG. 4

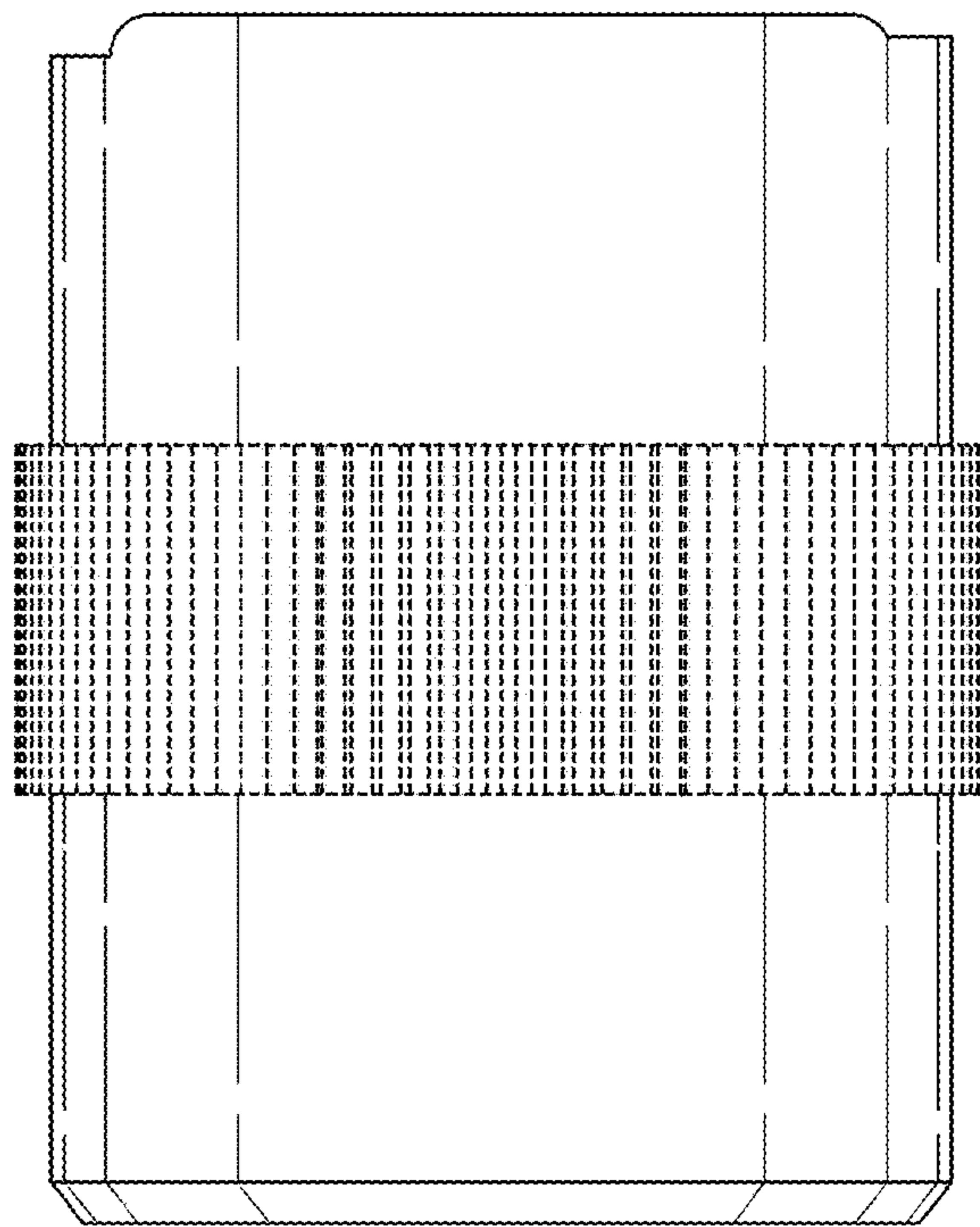


FIG. 5

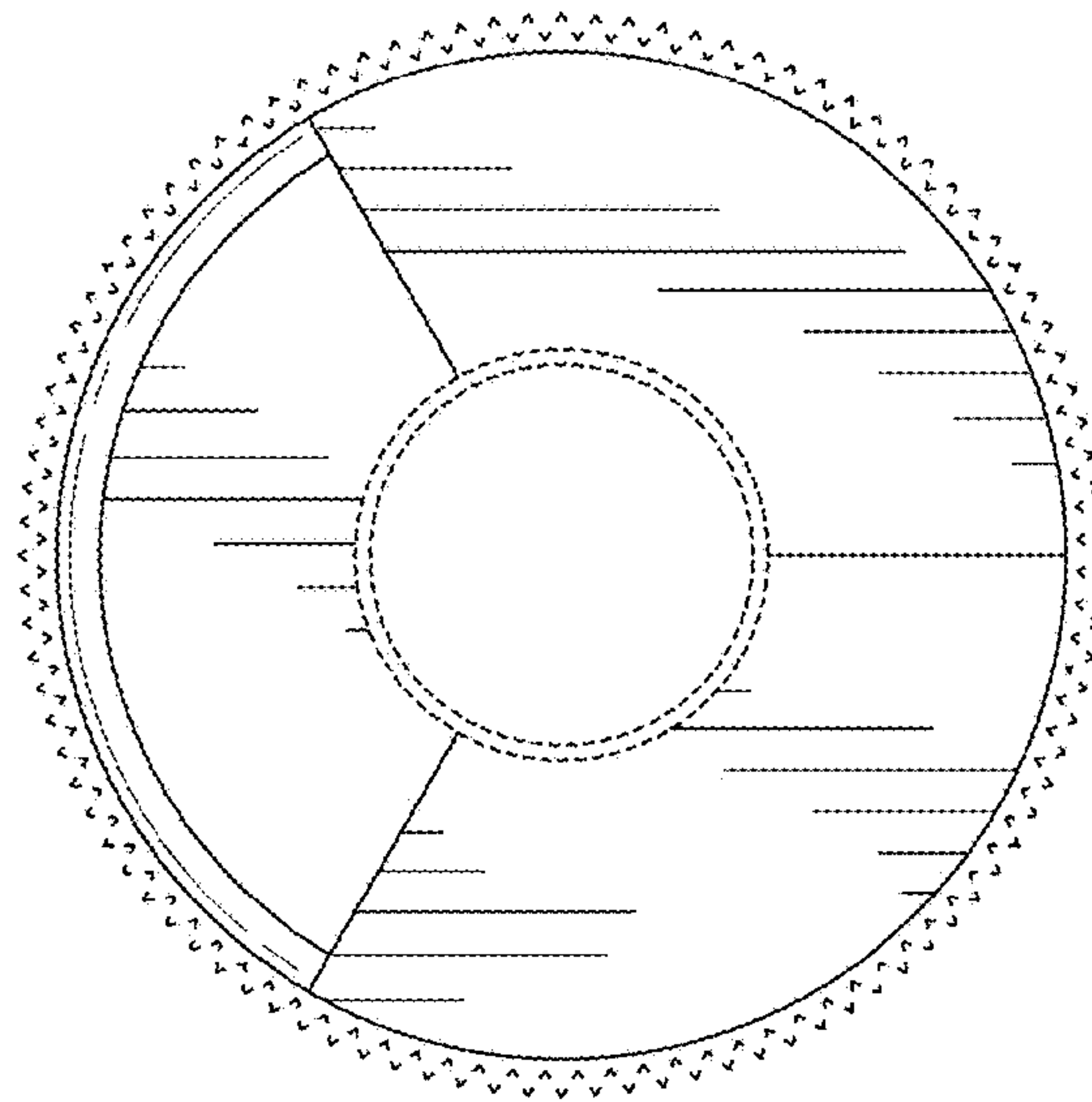


FIG. 6



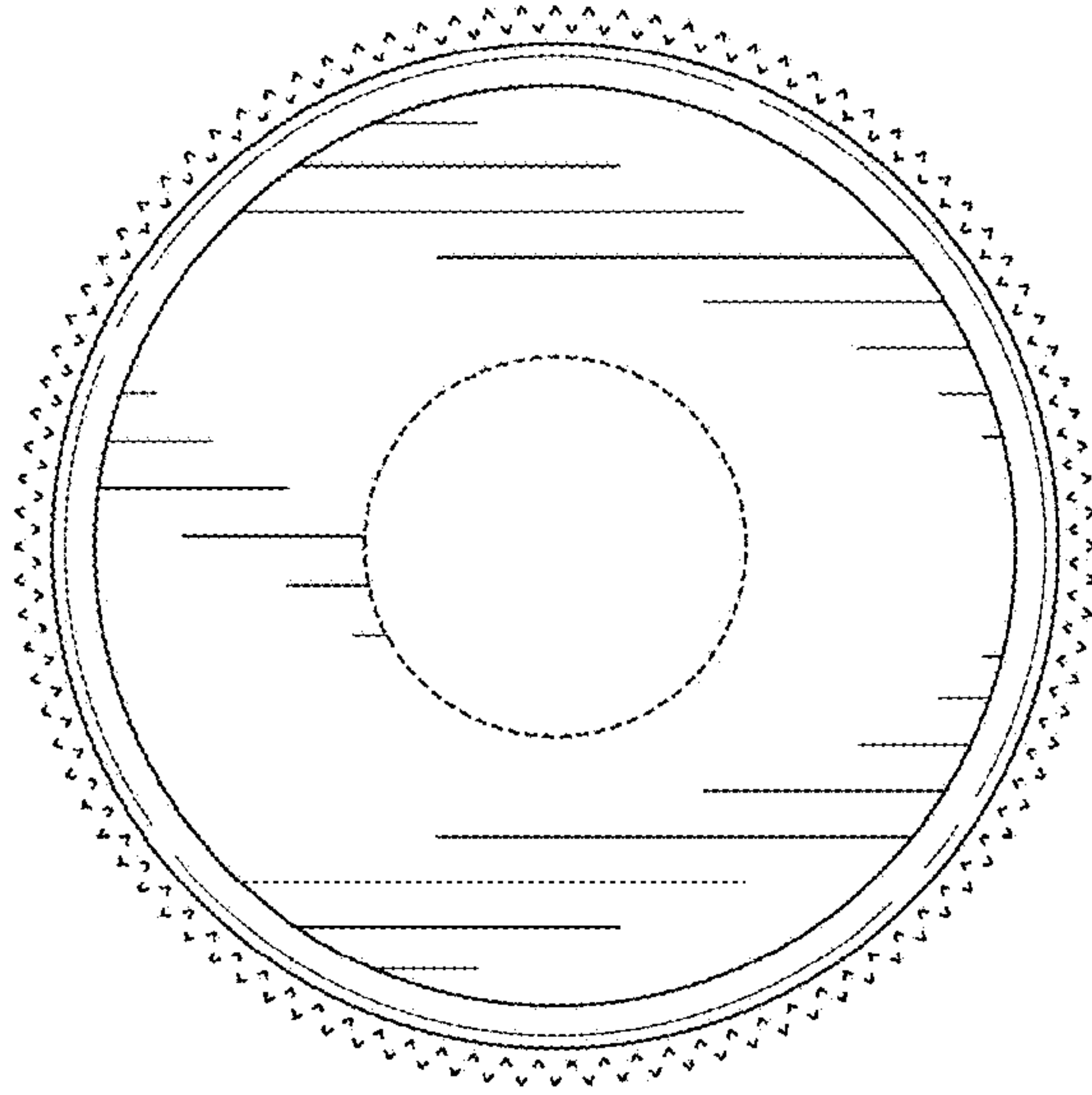


FIG. 7

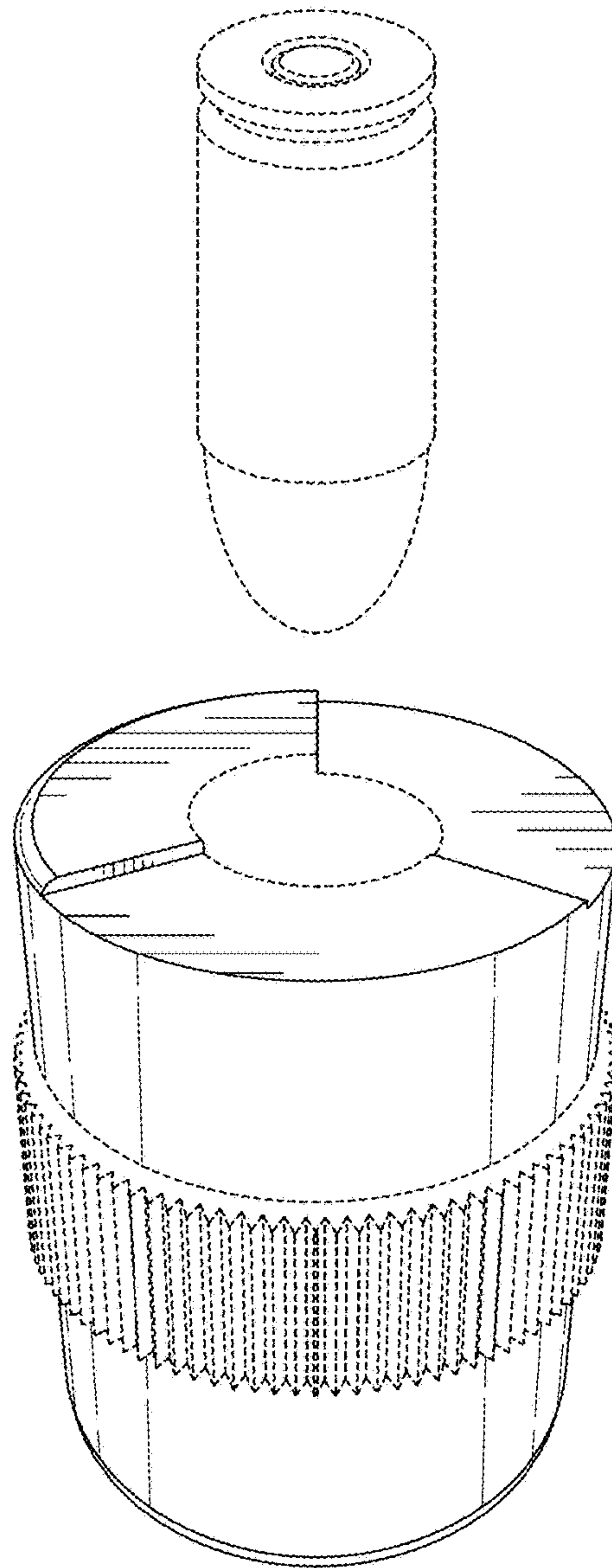


FIG. 8

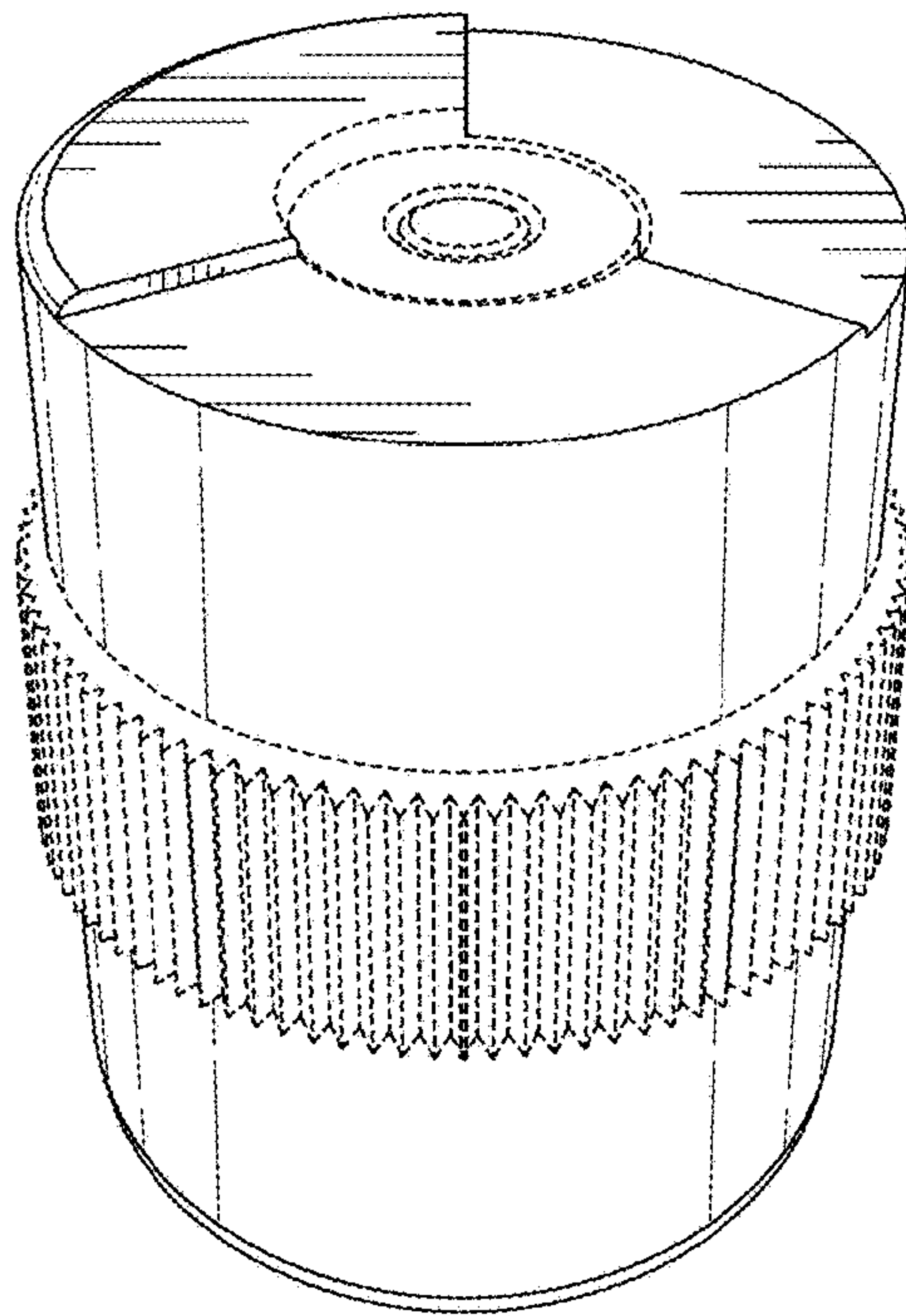


FIG. 9