



US00D846269S

(12) **United States Design Patent**
de Jonge et al.

(10) **Patent No.:** **US D846,269 S**

(45) **Date of Patent:** **** Apr. 23, 2019**

(54) **HOLSTER**

(71) Applicant: **Butterfly Network, Inc.**, Guilford, CT
(US)

(72) Inventors: **Matthew de Jonge**, New York, NY
(US); **Stephen Christopher**,
Philadelphia, PA (US)

(73) Assignee: **Butterfly Network, Inc.**, Guilford, CT
(US)

(**) Term: **15 Years**

(21) Appl. No.: **29/631,757**

(22) Filed: **Jan. 2, 2018**

(51) **LOC (11) Cl.** **03-01**

(52) **U.S. Cl.**
USPC **D3/222**

(58) **Field of Classification Search**
USPC D3/215, 228, 203.5; D24/128; 224/240,
224/245, 251, 349, 673, 676-677, 904
CPC ... A45F 5/00; A45F 5/02; A45F 5/021; B25H
3/00; B25H 3/002
See application file for complete search history.

(56) **References Cited**

U.S. PATENT DOCUMENTS

D313,507 S * 1/1991 Sawyer D3/228
D388,955 S * 1/1998 Markiewicz D3/228

D420,216 S * 2/2000 Birkbeck, III D3/215
D533,343 S * 12/2006 Gringer D3/228
D541,933 S * 5/2007 White D11/146
8,056,715 B2 * 11/2011 Conklin B25H 3/00
224/245
D762,058 S * 7/2016 Moore D3/203.5
D789,681 S * 6/2017 Grisamore D3/215
D823,596 S * 7/2018 Grisamore D3/215
2015/0032002 A1 1/2015 Rothberg et al.
2017/0360397 A1 12/2017 Rothberg et al.

* cited by examiner

Primary Examiner — Catherine R Oliver-Garcia
(74) *Attorney, Agent, or Firm* — Wolf, Greenfield &
Sacks, P.C.

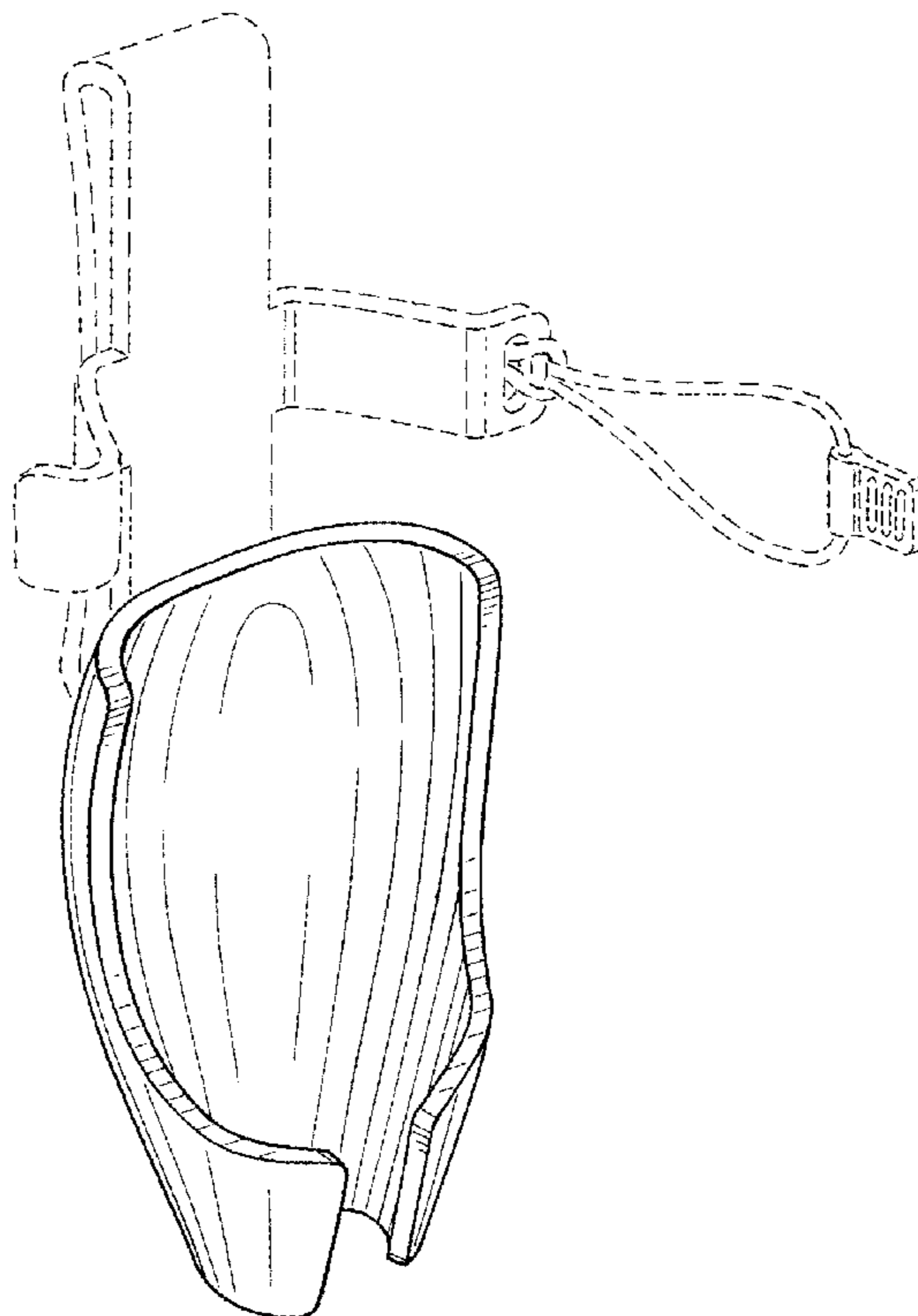
(57) **CLAIM**

The ornamental design for a holster, as shown and described.

DESCRIPTION

FIG. 1 is a top, front, left side perspective view of a holster according to our new design;
FIG. 2 is a front elevation view thereof;
FIG. 3 is a rear elevation view thereof;
FIG. 4 is a left side elevation view thereof;
FIG. 5 is a right side elevation view thereof;
FIG. 6 is a top plan view thereof; and,
FIG. 7 is a bottom plan view thereof.
The broken lines illustrate portions of the holster that form no part of the claimed design.

1 Claim, 6 Drawing Sheets



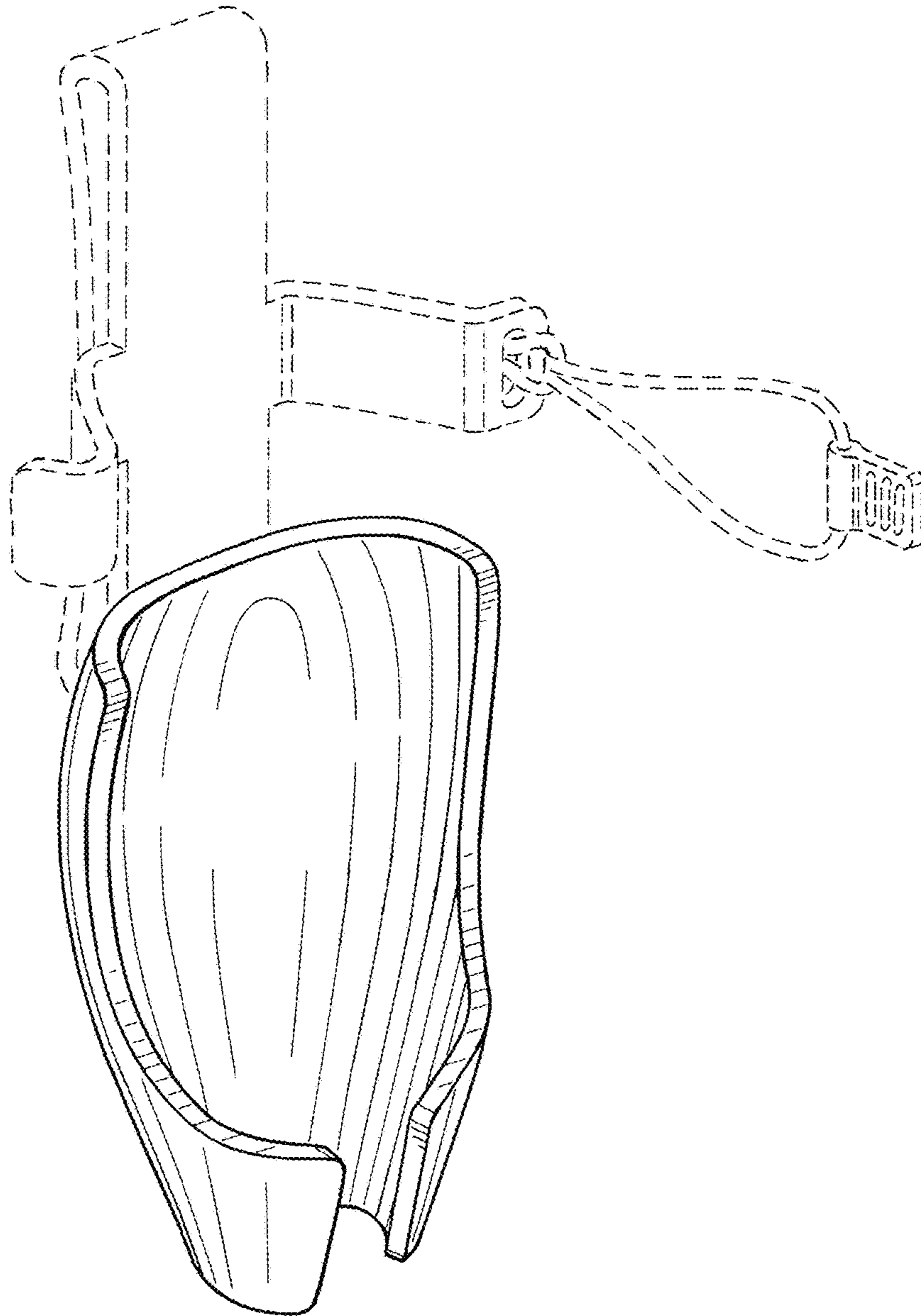


Fig. 1

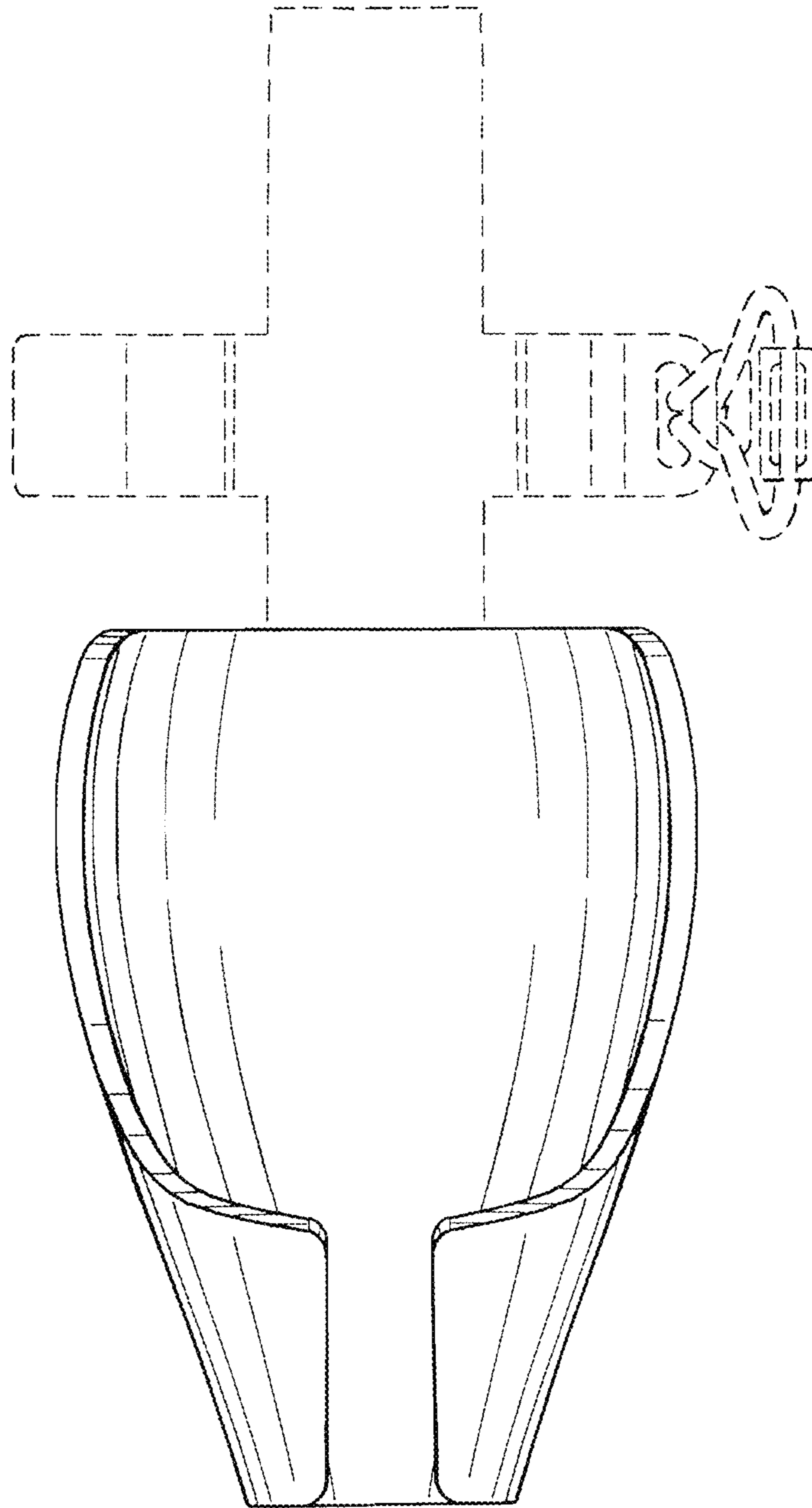


Fig. 2

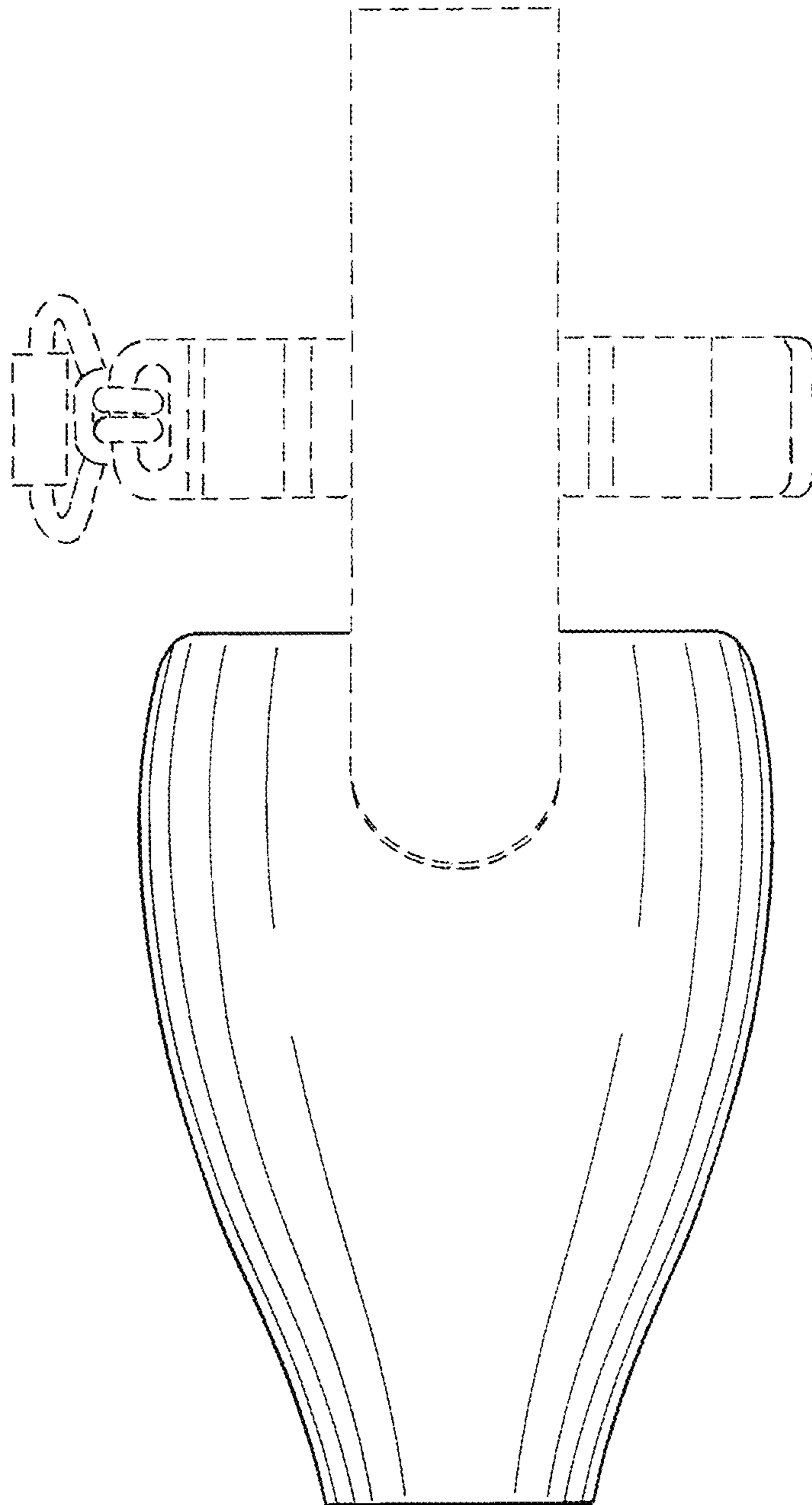


Fig. 3

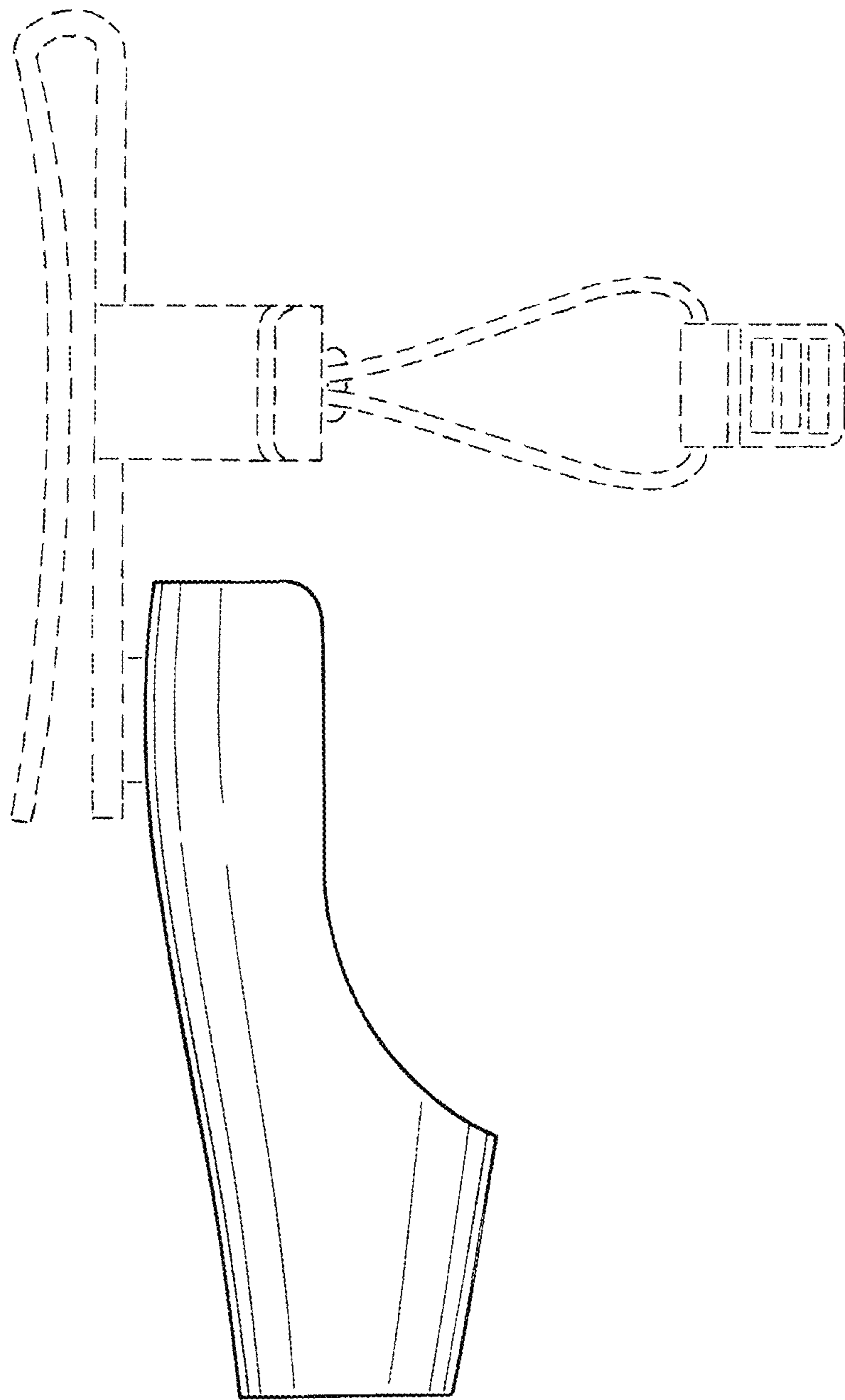


Fig. 4

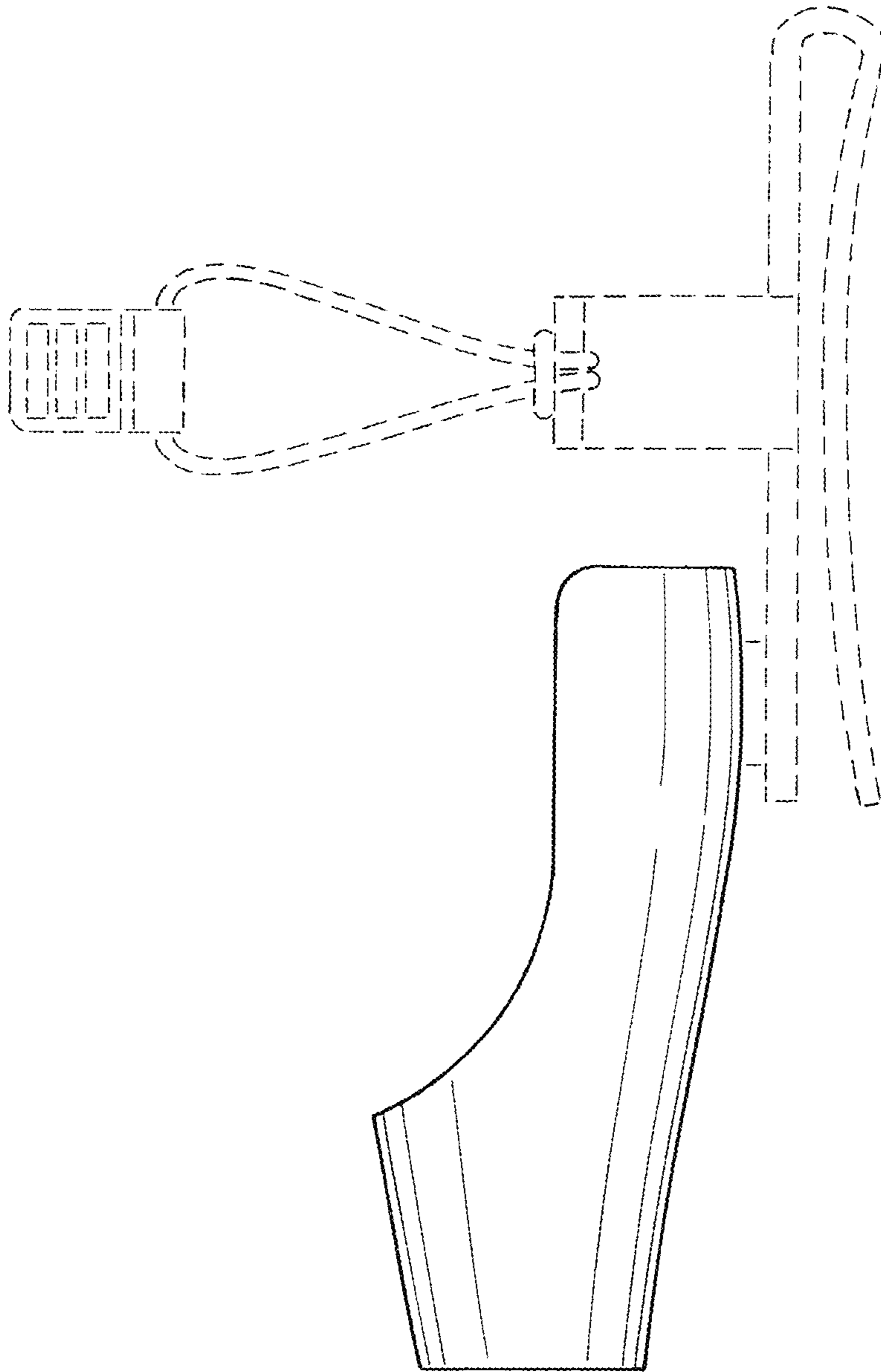


Fig. 5

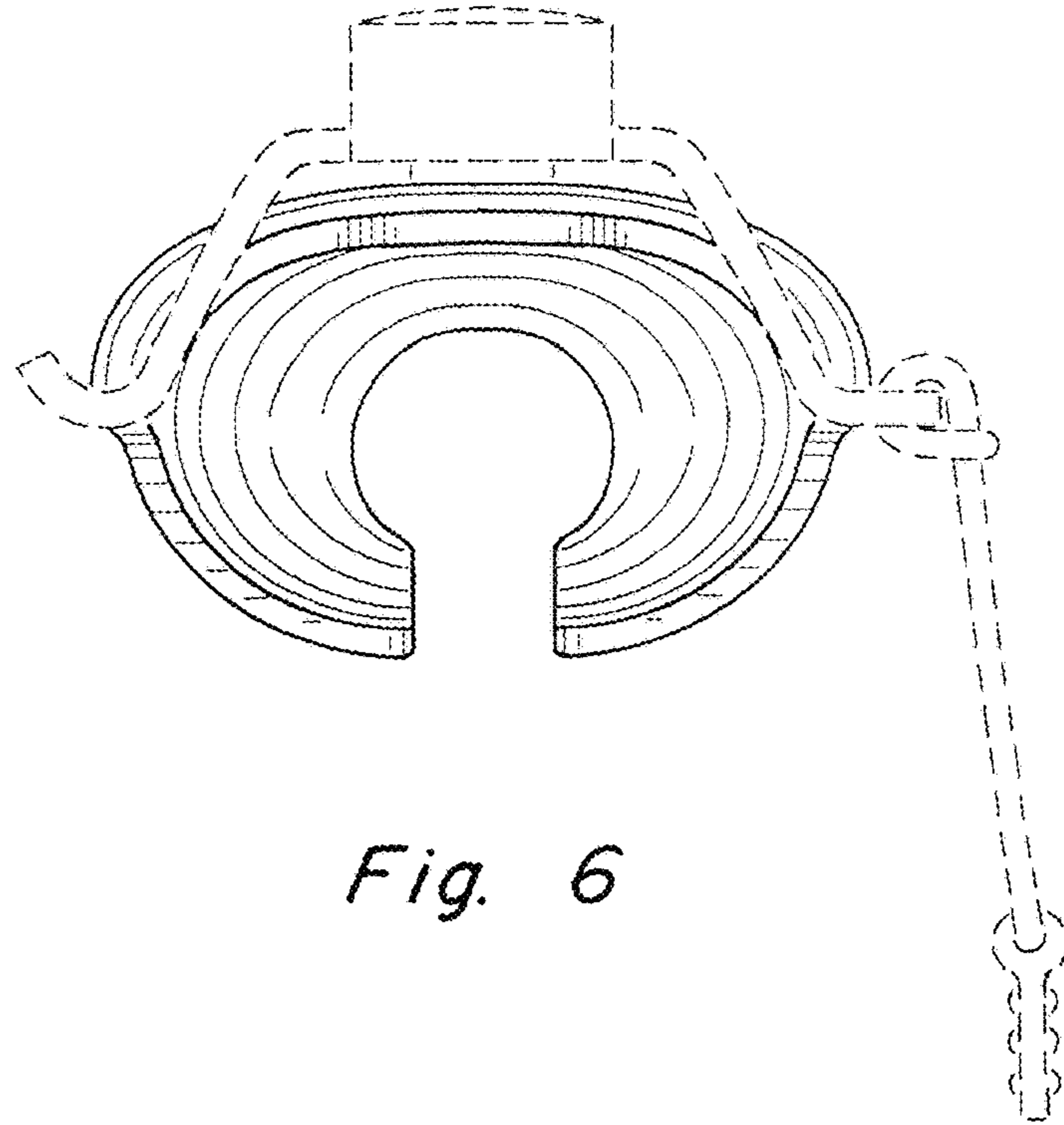


Fig. 6

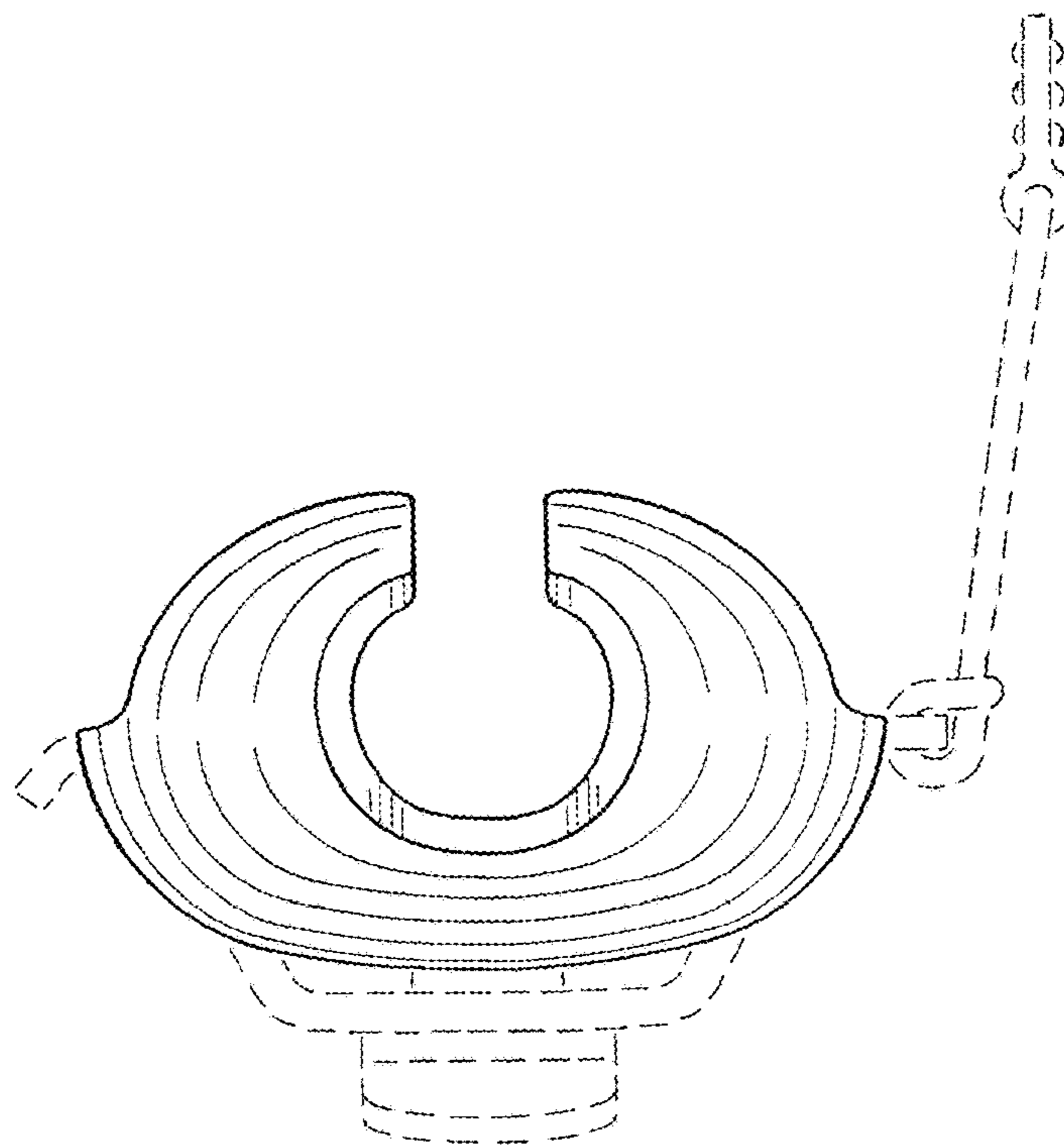


Fig. 7