



US00D846267S

(12) **United States Design Patent** (10) **Patent No.:** **US D846,267 S**
Lian (45) **Date of Patent:** **** Apr. 23, 2019**

(54) **SCOOTER SUITCASE**
(71) Applicant: **Shenzhen Qianhai Yafei Supply Chain Co., ltd, Shenzhen (CN)**
(72) Inventor: **Sunping Lian, Shenzhen (CN)**
(73) Assignee: **Shenzhen Qianhai Yafei Supply Chain Co., ltd, Shenzhen (CN)**
(**) Term: **15 Years**
(21) Appl. No.: **29/605,627**
(22) Filed: **May 27, 2017**
(51) **LOC (11) Cl.** **03-01**
(52) **U.S. Cl.**
USPC **D3/217; D3/274; D3/279**
(58) **Field of Classification Search**
USPC **D3/269, 272, 273, 274, 276, 277, 279, D3/280, 281, 283, 284, 285, 289, 302, D3/900, 902, 904, 271.2**
CPC **A45C 5/00; A45C 5/03; A45C 2005/032; A45C 5/08; A45C 5/14; A45C 2009/005**
See application file for complete search history.

D758,076 S * 6/2016 Boer D3/274
9,629,430 B1 * 4/2017 Getahun A45C 9/00
D786,362 S * 5/2017 Pickavance D21/423
D793,086 S * 8/2017 Mahanavanont D3/279
9,770,080 B2 * 9/2017 Dourado A45F 3/04
D809,795 S * 2/2018 Law D3/279
9,993,057 B2 * 6/2018 Chen B62K 13/00

OTHER PUBLICATIONS

Amazon, "PRODG Scooter Blackage Travel Garment Bag, 55 cm, Black", First on sale Dec. 15, 2017. (<https://www.amazon.co.uk/PRODG-Scooter-Blackage-Travel-Garment/dp/B0788BRFX9/>).*

(Continued)

Primary Examiner — Jennifer Rivard
Assistant Examiner — April Rivas
(74) *Attorney, Agent, or Firm* — Gokalp Bayramoglu

(57) **CLAIM**

The ornamental design for a scooter suitcase, as shown and described.

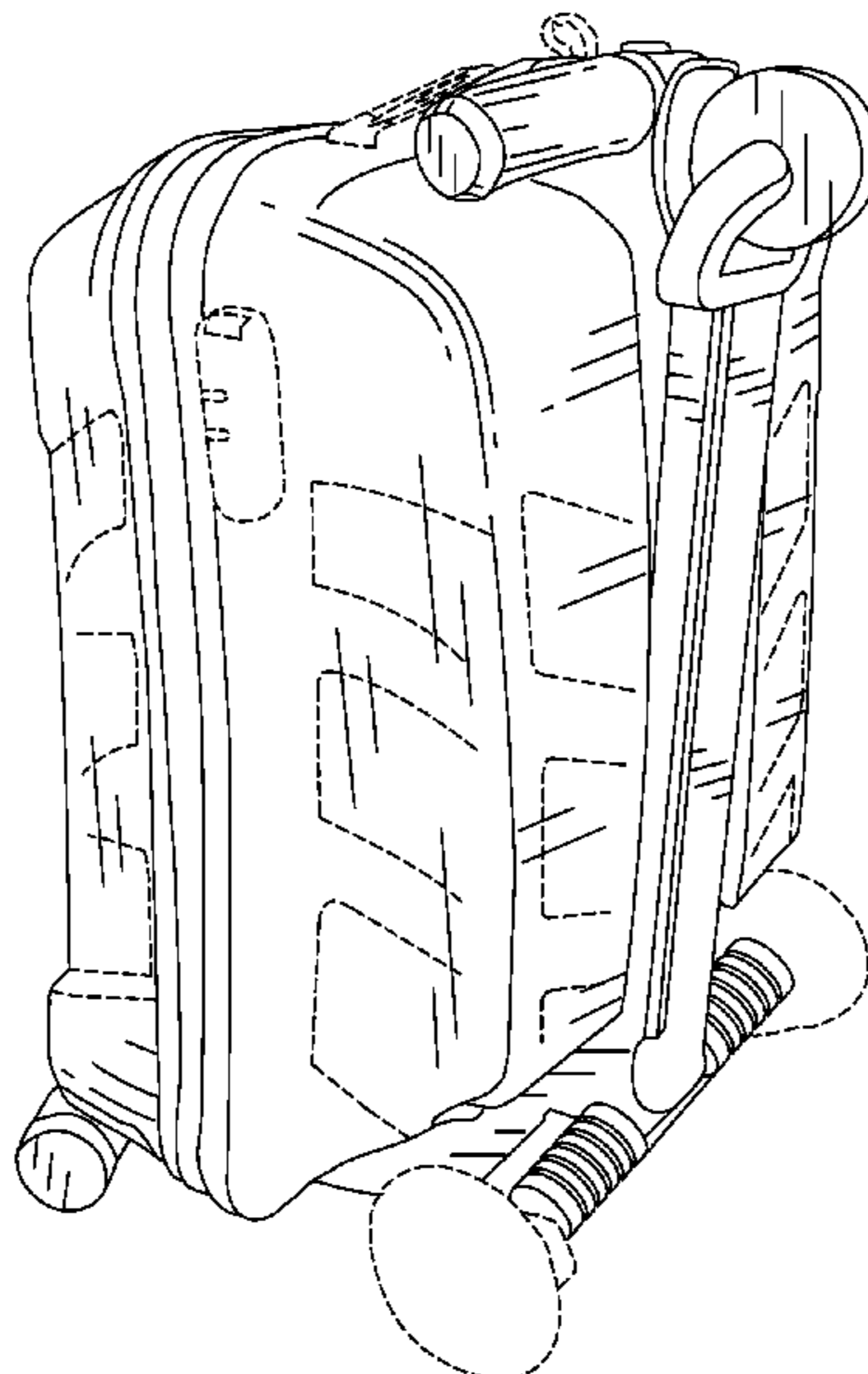
DESCRIPTION

FIG. 1 is a back view of a scooter suitcase showing my new design;
FIG. 2 is a bottom view thereof;
FIG. 3 is a top view thereof;
FIG. 4 is a perspective view thereof;
FIG. 5 is a right side view thereof;
FIG. 6 is a left side view thereof showing an alternate state in which the scooter and the handle are in an extended state;
FIG. 7 is a front view thereof; and,
FIG. 8 is a left side view thereof showing a state in which the scooter and the handle are in a closed state.
The broken lines depict portions of a scooter suitcase in which the design is embodied that form no part of the claimed design.

(56) **References Cited**
U.S. PATENT DOCUMENTS

D327,170 S * 6/1992 Maloney D3/279
5,447,261 A * 9/1995 Mitomi A45C 5/14
190/110
D375,199 S * 11/1996 Stokes D3/279
D428,698 S * 8/2000 Cheng D3/276
6,460,866 B1 * 10/2002 Altschul A45F 4/02
150/159
D468,528 S * 1/2003 Tornell D3/255
7,029,015 B2 * 4/2006 Lin A45C 9/00
190/18 A
8,282,113 B2 * 10/2012 Veal A45C 5/14
280/43.1

1 Claim, 8 Drawing Sheets



(56)

References Cited

OTHER PUBLICATIONS

Amazon, "Micro Scooters Luggage Foldable 2 Wheel With Suitcase Suitable For 12 Years+ Adult Teenager", first on sale Jan. 11, 2011. (<https://www.amazon.co.uk/dp/B004IU0OZY/>).*

Amazon, "Penn trolley travel adults luggage wheeled suitcase bag scooter black", first on sale Oct. 19, 2017. (Penn trolley travel adults luggage wheeled suitcase bag scooter black).*

Amazon, "Suitcase Scooter Trolley Case 21 inch Hand Luggage-Durable All-direction Heavy Duty . . .", first on sale Jul. 31, 2017. (<https://www.amazon.co.uk/dp/B074FTWY4W/>).*

* cited by examiner

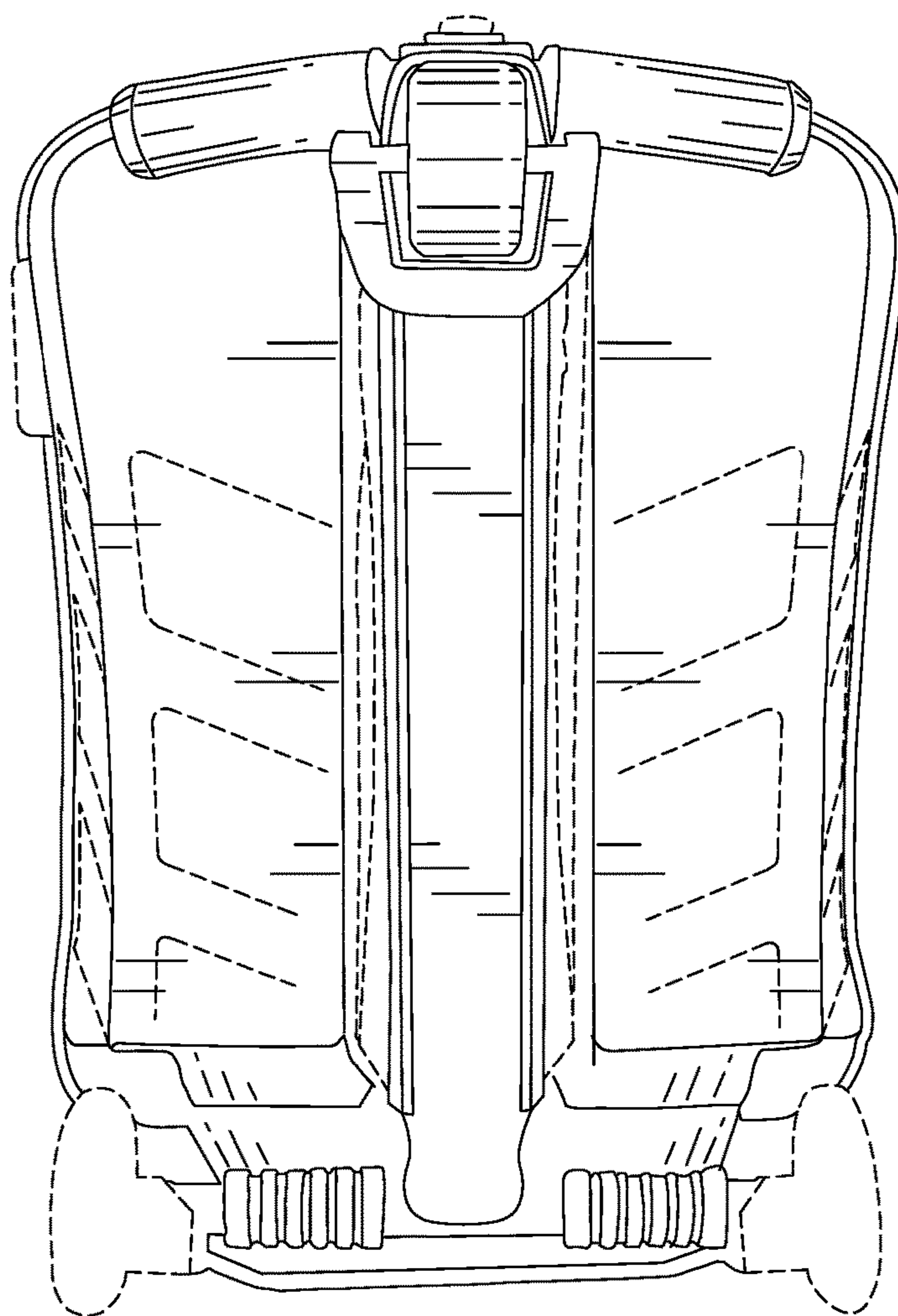


FIG. 1

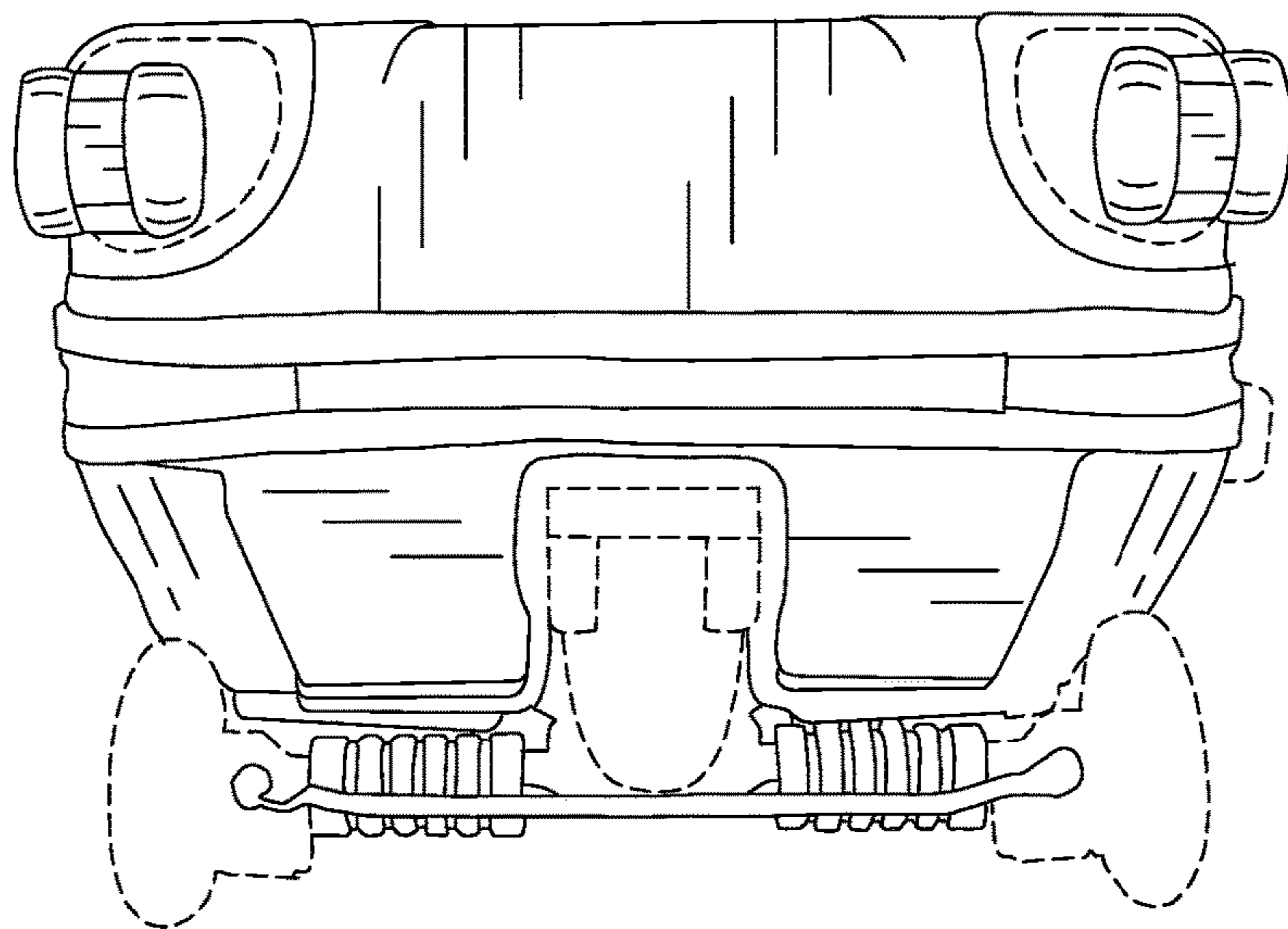


FIG. 2

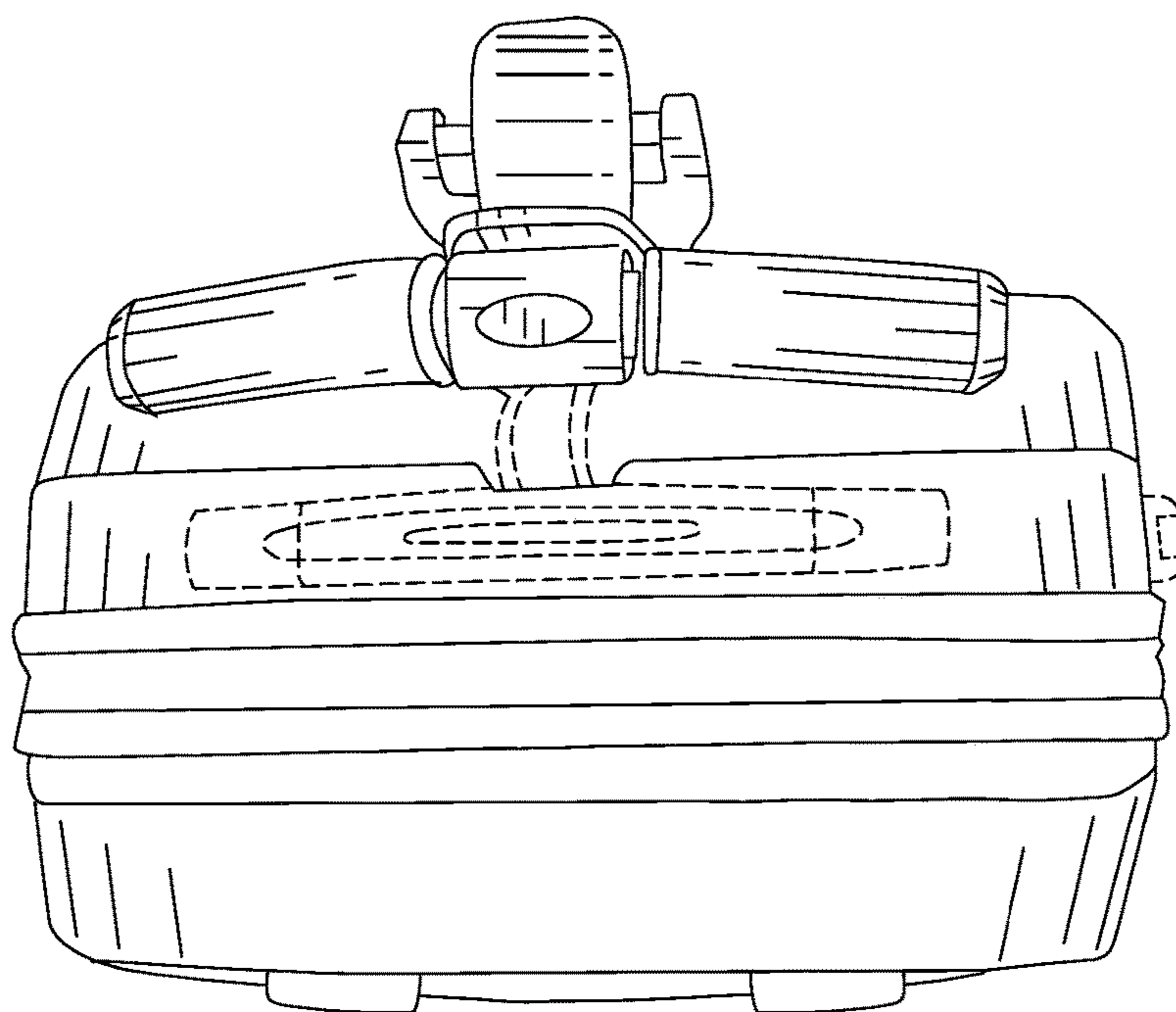


FIG. 3

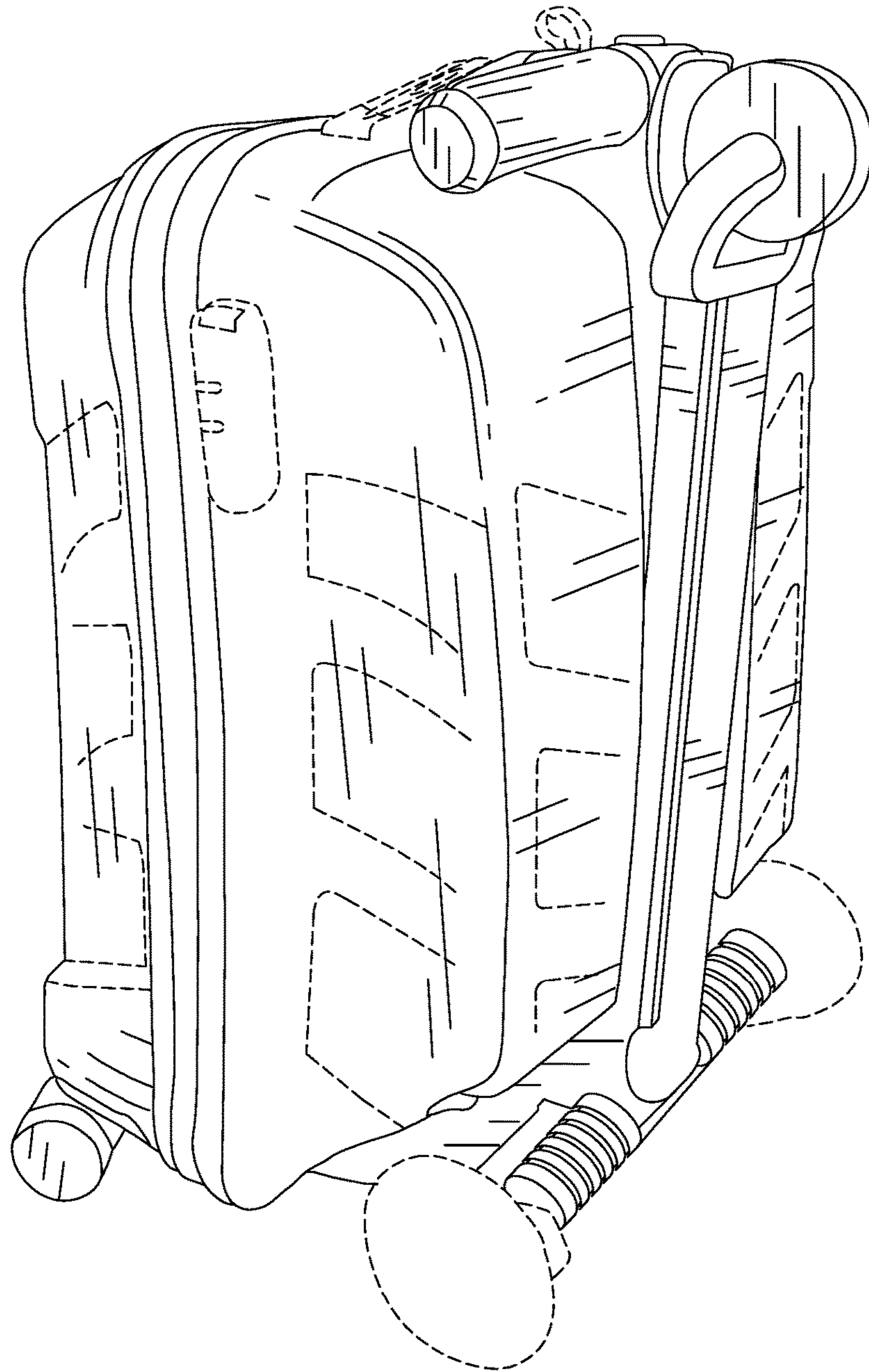


FIG. 4

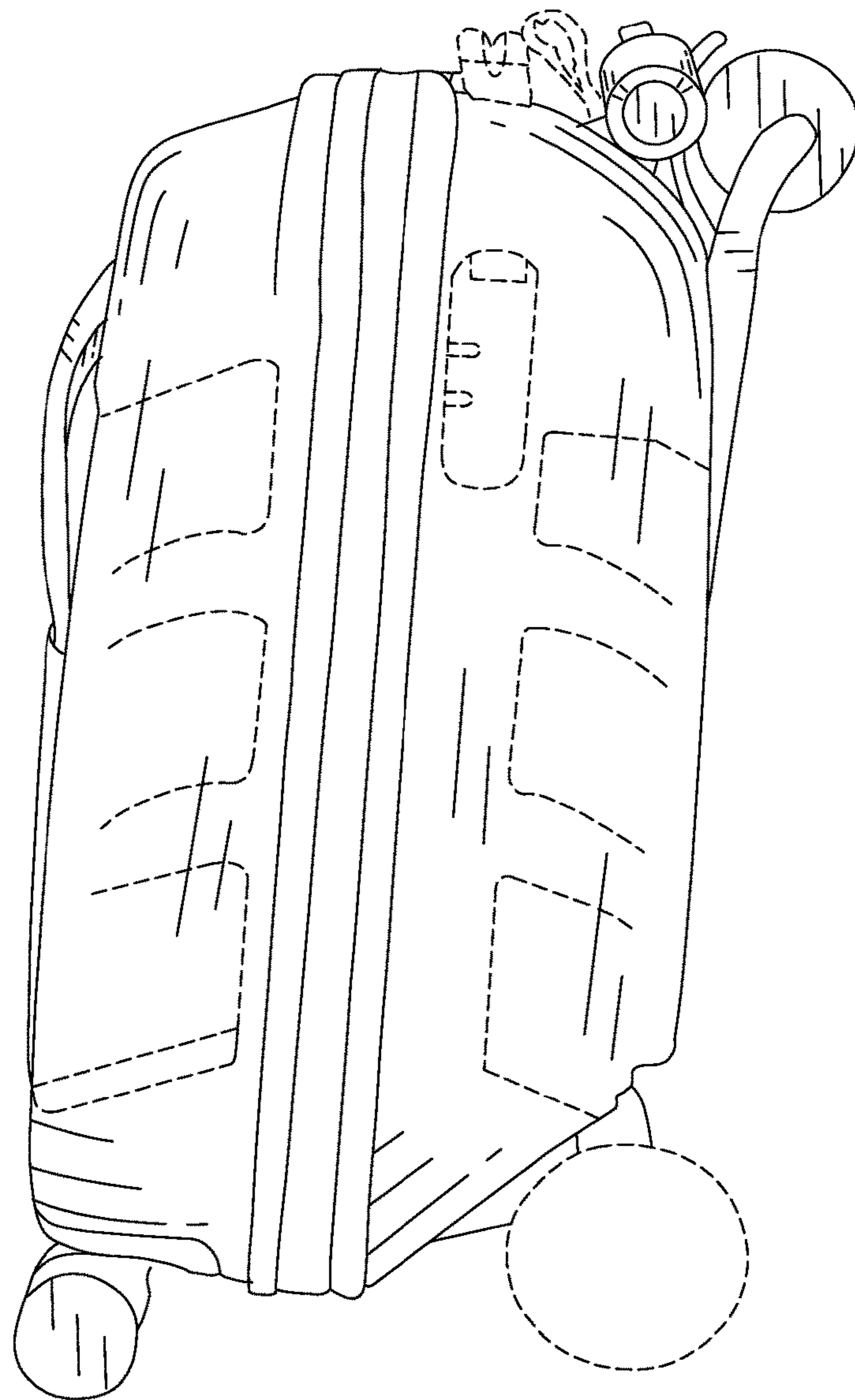


FIG. 5

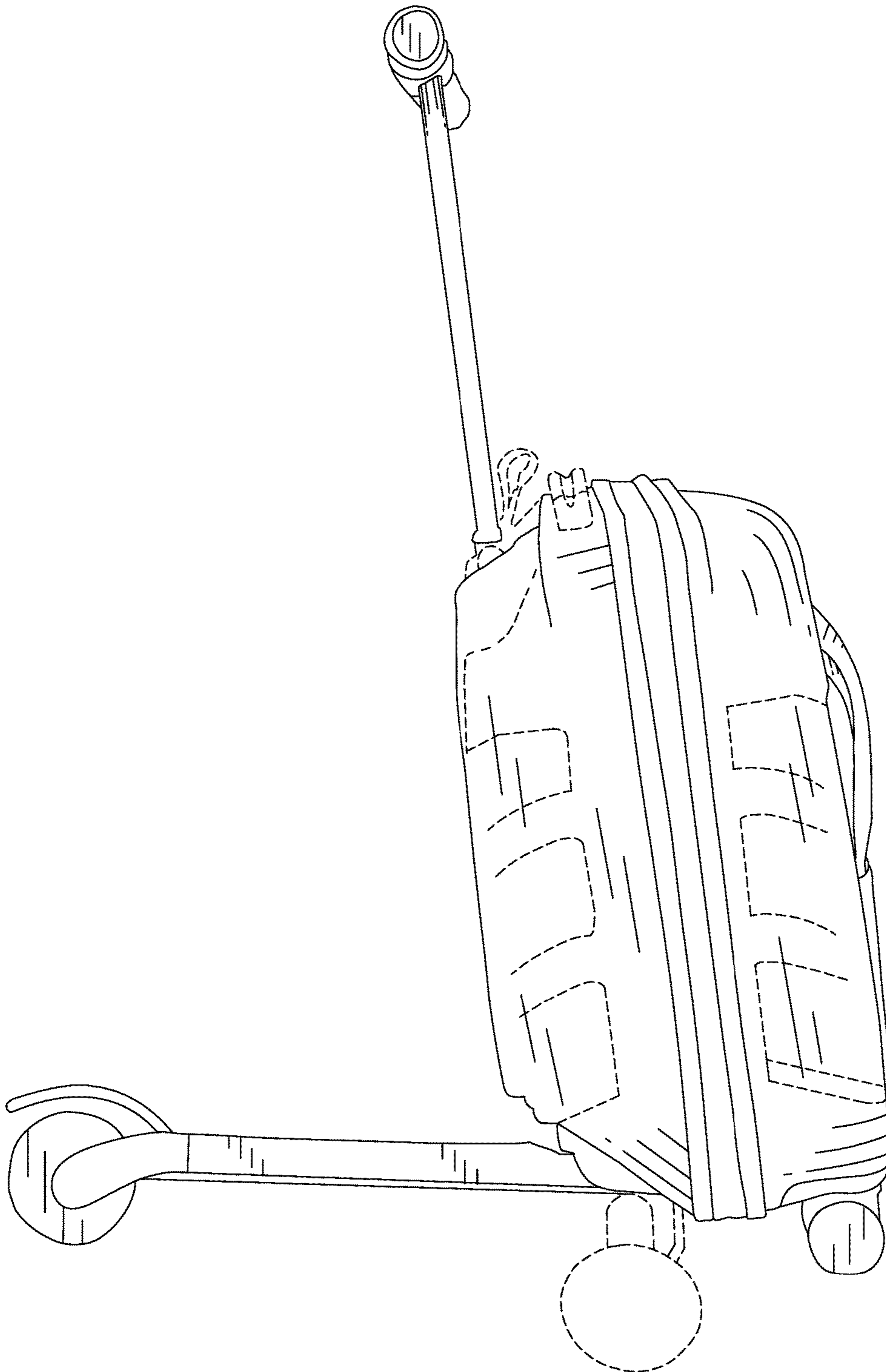


FIG. 6

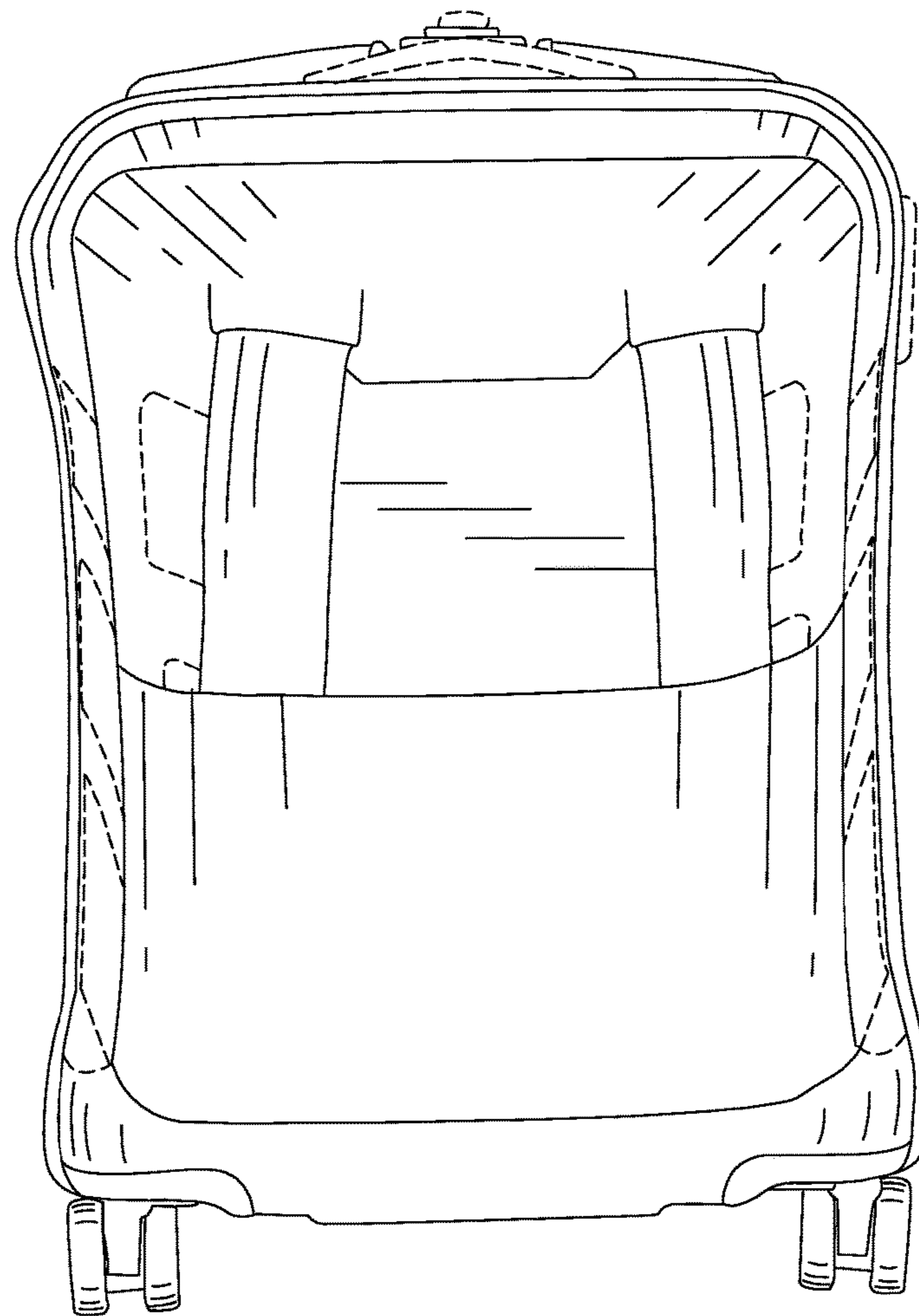


FIG. 7

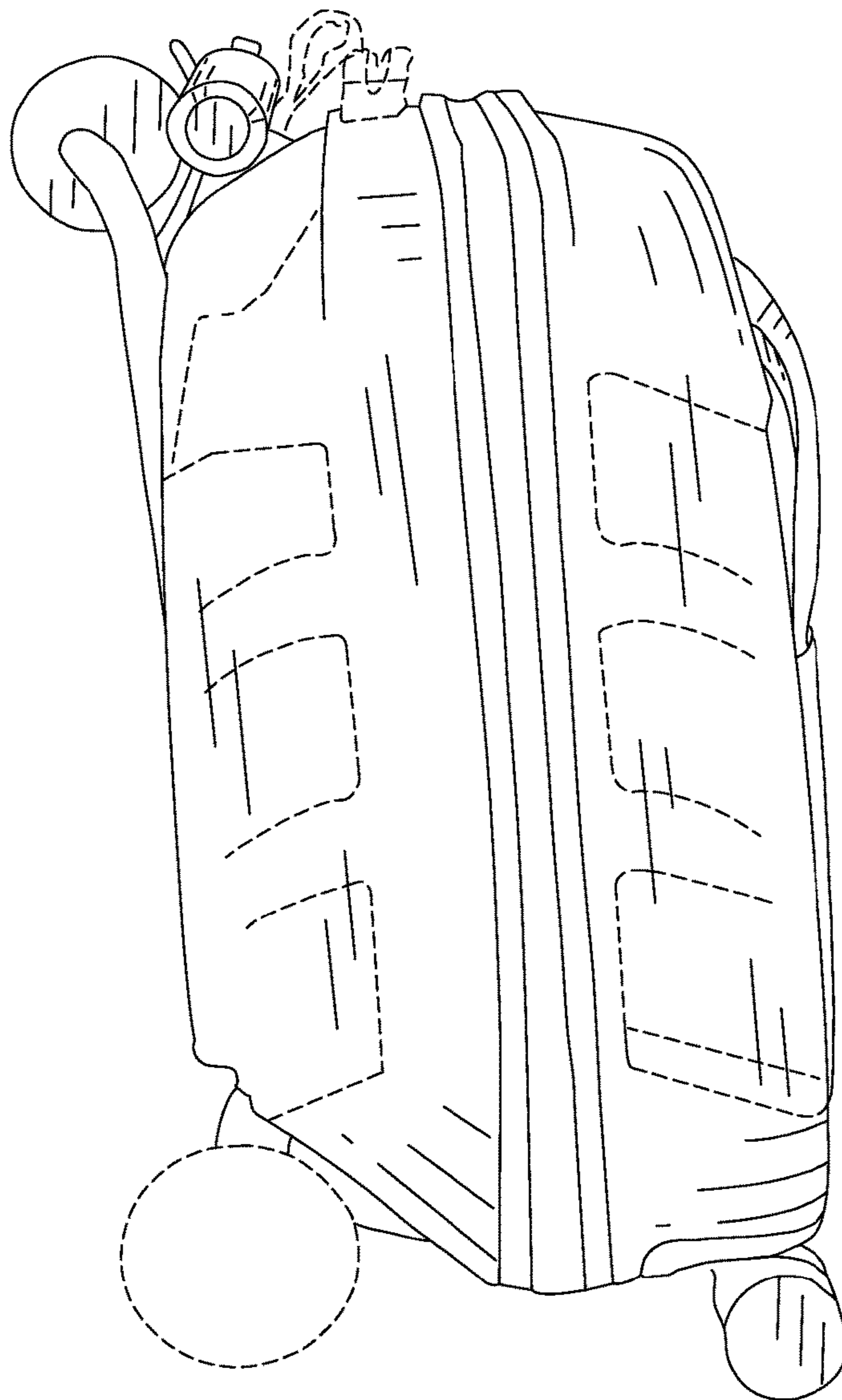


FIG. 8