



US00D846264S

(12) **United States Design Patent** (10) **Patent No.:** **US D846,264 S**
Wu (45) **Date of Patent:** **** Apr. 23, 2019**

(54) **EARPHONES BOX**
(71) Applicant: **Shenzhen Meilianfa Technology Co., Ltd., Shenzhen (CN)**
(72) Inventor: **Yun-Fei Wu, Shenzhen (CN)**
(73) Assignee: **Shenzhen Meilianfa Technology Co., Ltd., Shenzhen (CN)**
(**) Term: **15 Years**
(21) Appl. No.: **29/655,263**
(22) Filed: **Jul. 2, 2018**
(51) **LOC (11) Cl.** **03-01**
(52) **U.S. Cl.**
USPC **D3/201**
(58) **Field of Classification Search**
USPC D3/201, 203.1, 203.2, 205, 206, 263, D3/266, 273, 280, 294; D9/700, 414, D9/426
CPC B65D 85/187; B65D 21/086; B65D 25/04; B65D 53/00; B65D 25/102; B65D 43/02; B65D 25/10; B65D 43/16; A45C 5/00; A45C 7/0027; A45C 13/03; A45C 11/22; A45C 11/16
See application file for complete search history.

(56) **References Cited**
U.S. PATENT DOCUMENTS
D257,790 S * 1/1981 Kesling D24/227
D259,596 S * 6/1981 Gray D3/205
D269,249 S * 6/1983 Cillario D9/424
D367,211 S * 2/1996 Cautereels D3/294
D397,865 S * 9/1998 Lin D3/218
D423,772 S * 5/2000 Cooper D3/201
D430,727 S * 9/2000 Wisniewski D3/201
D454,689 S * 3/2002 Gonda D3/294
D458,127 S * 6/2002 de Groote D3/294
D481,532 S * 11/2003 Sayers D3/203.1

D511,039 S * 11/2005 Gerard D3/263
D527,182 S * 8/2006 Ham D3/274
D538,031 S * 3/2007 Costa D3/203.1
D548,970 S * 8/2007 Huang D3/294
D565,298 S * 4/2008 Braun D3/273
D566,395 S * 4/2008 Langer D3/294
D586,557 S * 2/2009 Jalet D3/294
D592,398 S * 5/2009 Roesler D3/294
D592,399 S * 5/2009 Sage D3/295
D592,494 S * 5/2009 Wichowski D9/414
D593,316 S * 6/2009 Ruwiel D3/203.2
D604,501 S * 11/2009 Lee D3/201
D612,595 S * 3/2010 McCurdy D3/218
D620,257 S * 7/2010 Fujimura D3/294
D640,131 S * 6/2011 Gibson D9/426
D641,164 S * 7/2011 Cornu D3/294
D646,159 S * 10/2011 Bellamah D9/424

(Continued)

Primary Examiner — John Windmuller
Assistant Examiner — Steven J Czyz
(74) *Attorney, Agent, or Firm* — ScienBiziP, P.C.

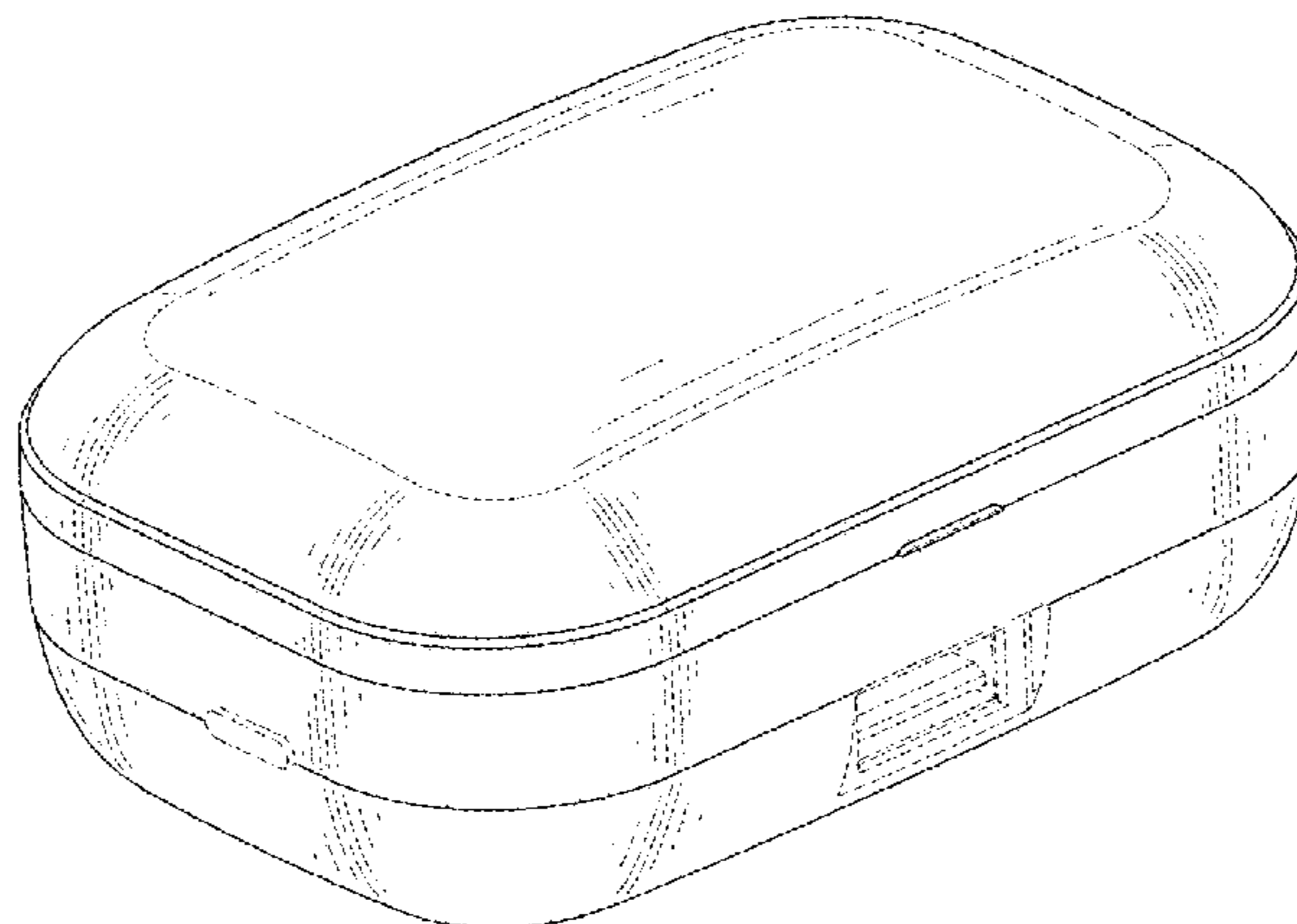
(57) **CLAIM**

The ornamental design for an earphones box, as shown and described.

DESCRIPTION

FIG. 1 is a top front perspective view of an earphones box showing the new claimed design;
FIG. 2 is a bottom rear perspective view thereof;
FIG. 3 is a front elevation view thereof;
FIG. 4 is a rear elevation view thereof;
FIG. 5 is a right side elevation view thereof;
FIG. 6 is a left side elevation view thereof;
FIG. 7 is a top plan view thereof;
FIG. 8 is a bottom plan view thereof; and,
FIG. 9 is a perspective view of the earphones box shown in an open position.
The broken lines depict portions of the article and environment that form no part of the claimed design.

1 Claim, 9 Drawing Sheets



(56)

References Cited

U.S. PATENT DOCUMENTS

D655,079 S * 3/2012 Patenaude D3/203.1
D660,440 S * 5/2012 Roehrig D24/194
D665,253 S * 8/2012 Bellamah D9/424
D672,554 S * 12/2012 Penttinen D3/273
D672,660 S * 12/2012 Vural D9/721
D673,366 S * 1/2013 Schumann D3/294
D694,102 S * 11/2013 Bellamah D9/424
D706,643 S * 6/2014 Akana D9/432
D709,384 S * 7/2014 Vural D9/721
8,910,781 B2 * 12/2014 Pipes B65B 7/28
206/236
D723,792 S * 3/2015 Anderson D3/201
D731,781 S * 6/2015 Behar D3/201
D734,944 S * 7/2015 Levinson D3/242
D740,018 S * 10/2015 Zhang D3/201
D740,653 S * 10/2015 Akana D9/418

D740,692 S * 10/2015 Christie D9/748
D745,775 S * 12/2015 Provost D3/205
D758,065 S * 6/2016 Zwetzig D3/201
9,445,631 B1 * 9/2016 Patel A24F 23/00
D772,572 S * 11/2016 Palmborg D3/201
D775,818 S * 1/2017 Ingraham D3/218
D786,093 S * 5/2017 Christie D9/748
D796,968 S * 9/2017 Akana D14/223
D799,316 S * 10/2017 Thain D9/415
9,796,523 B2 * 10/2017 Benoit B65D 85/187
D810,421 S * 2/2018 Ross D3/203.1
D817,640 S * 5/2018 Dang D3/294
D818,268 S * 5/2018 Akana D3/294
D822,374 S * 7/2018 Hung D3/201
D832,572 S * 11/2018 Bae D3/201
D834,301 S * 11/2018 Poissant D3/201
2007/0256946 A1 * 11/2007 Godshaw B65D 25/10
206/320

* cited by examiner

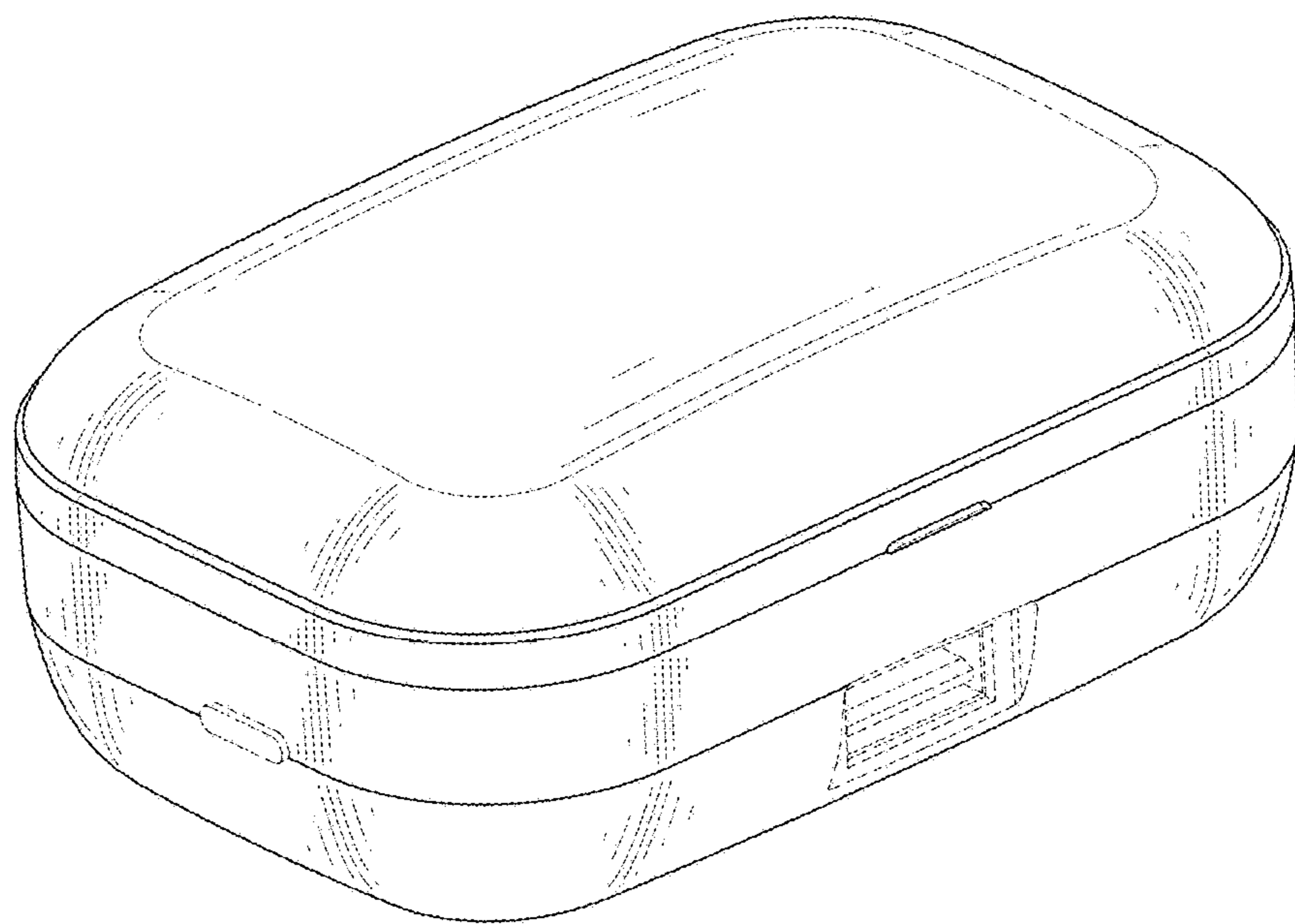


FIG. 1

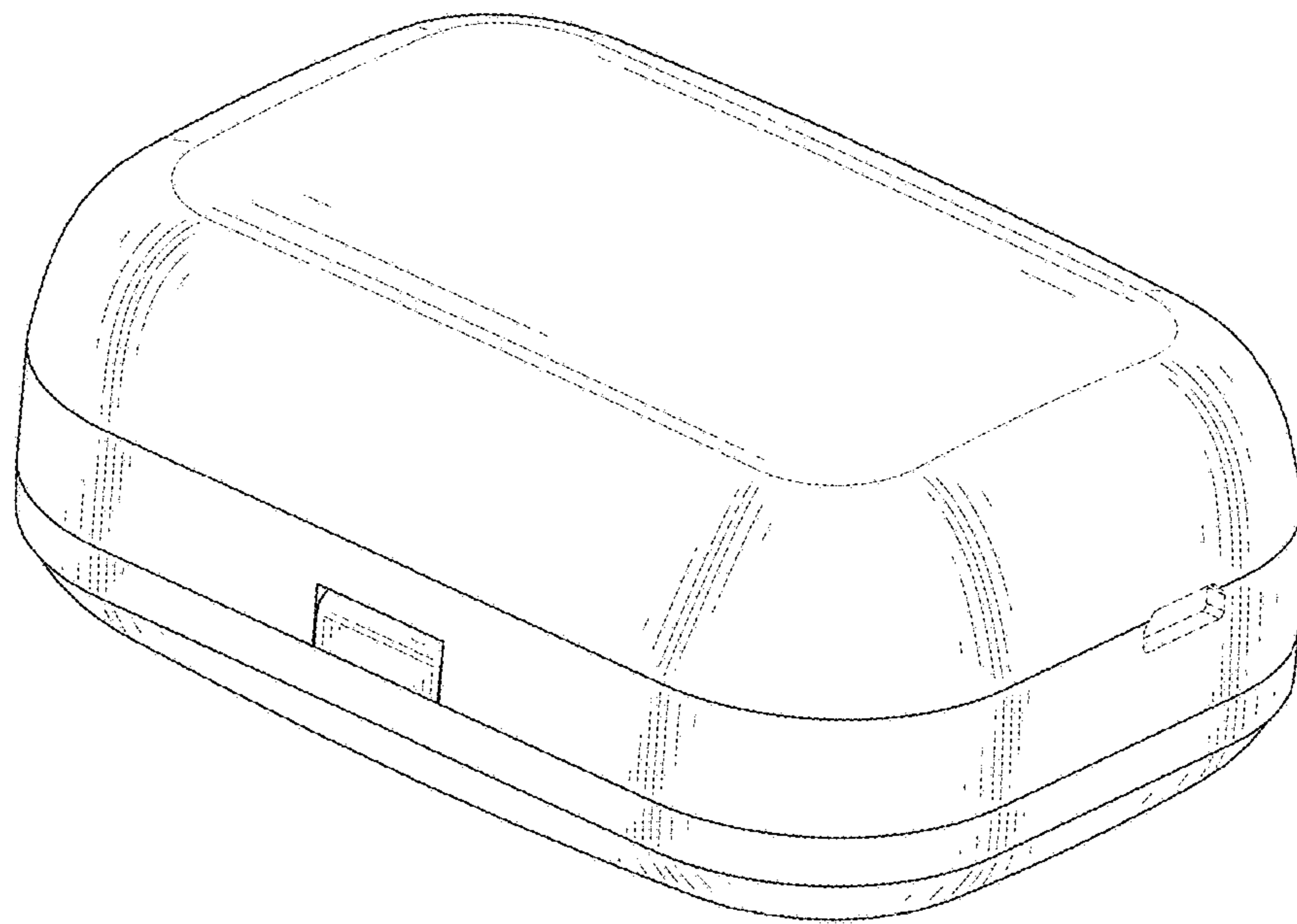


FIG. 2

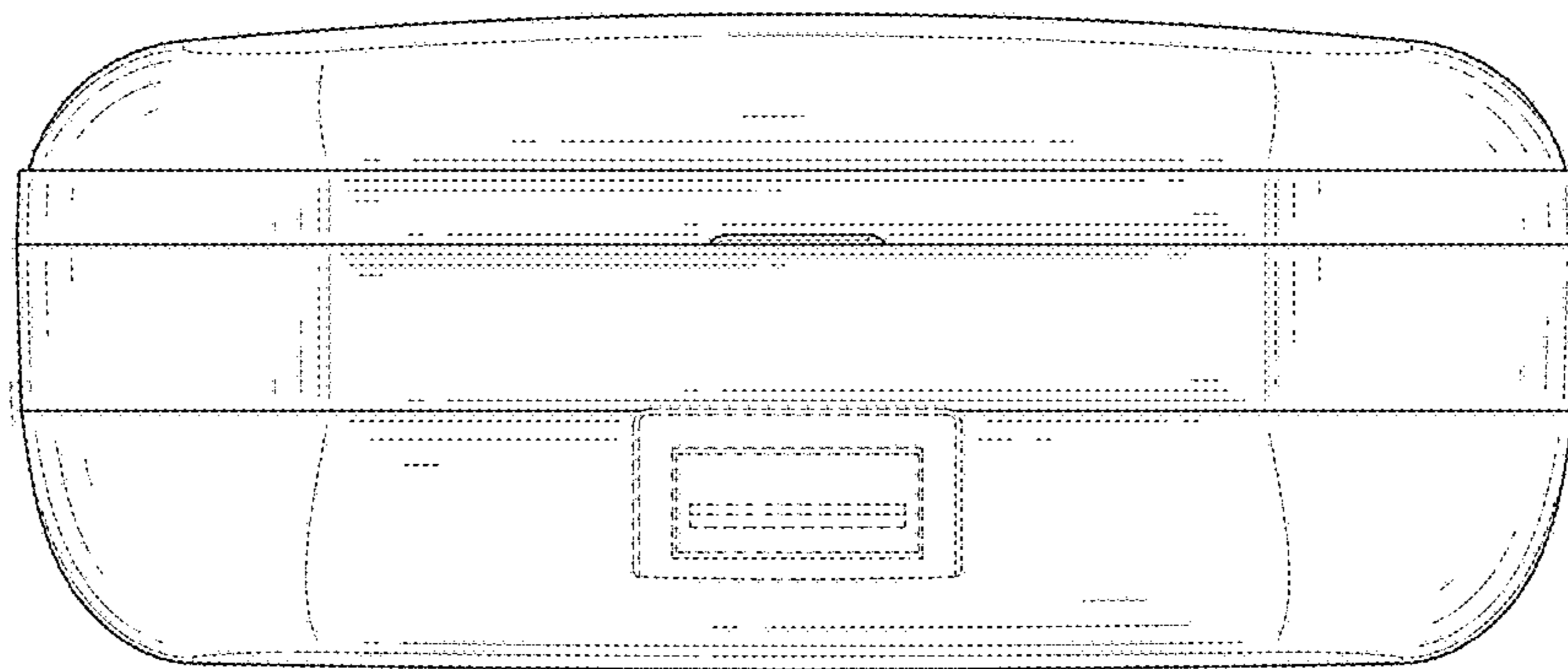


FIG. 3

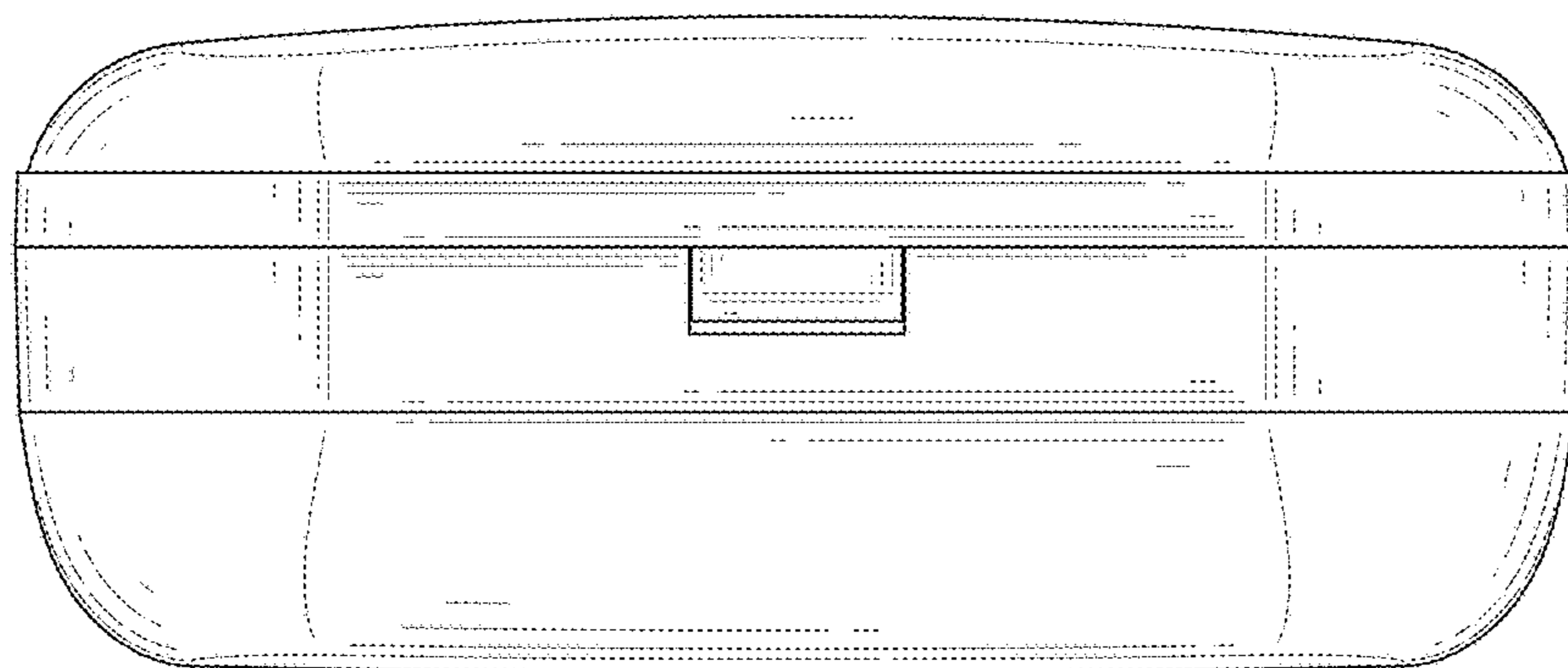


FIG. 4

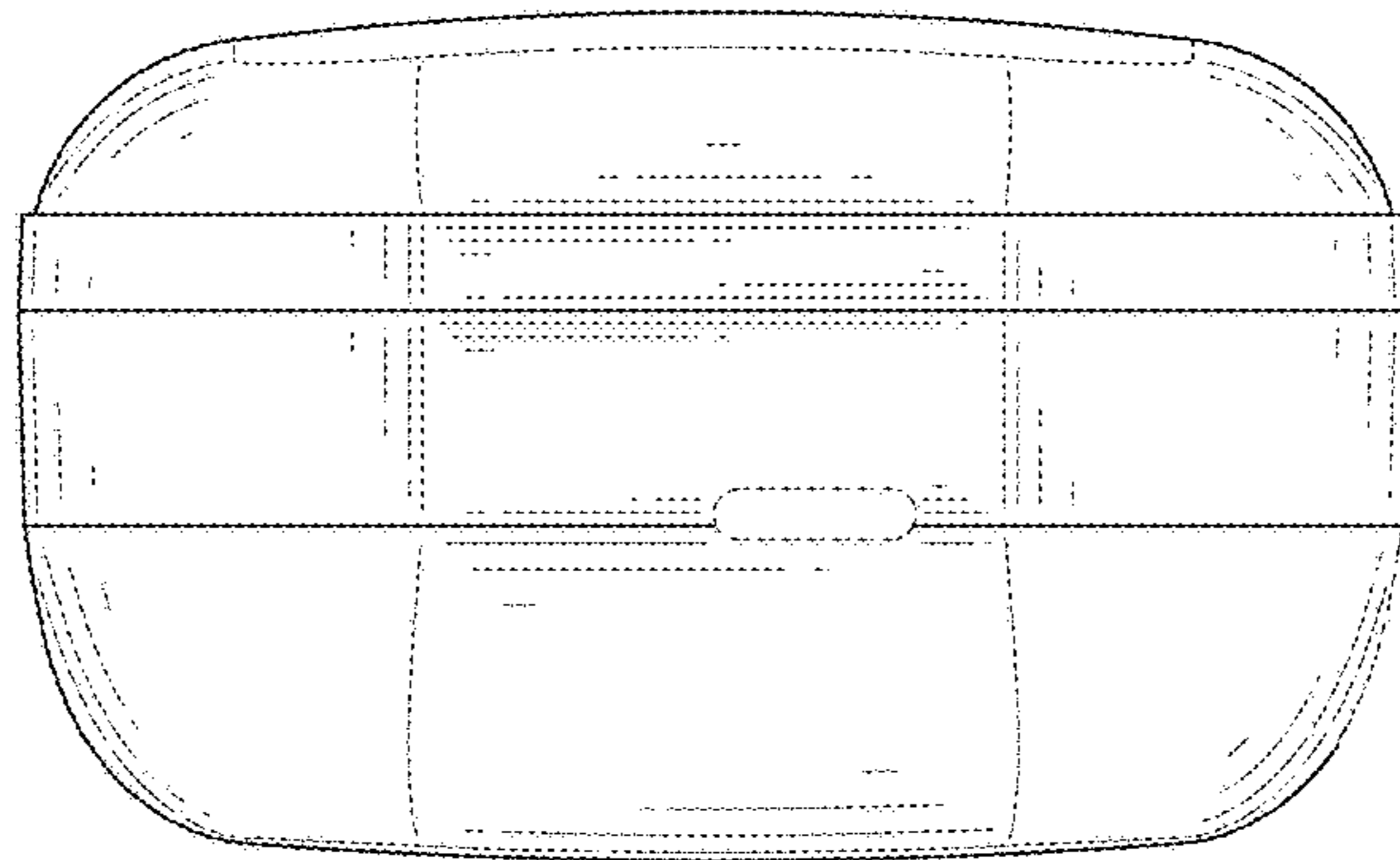


FIG. 5

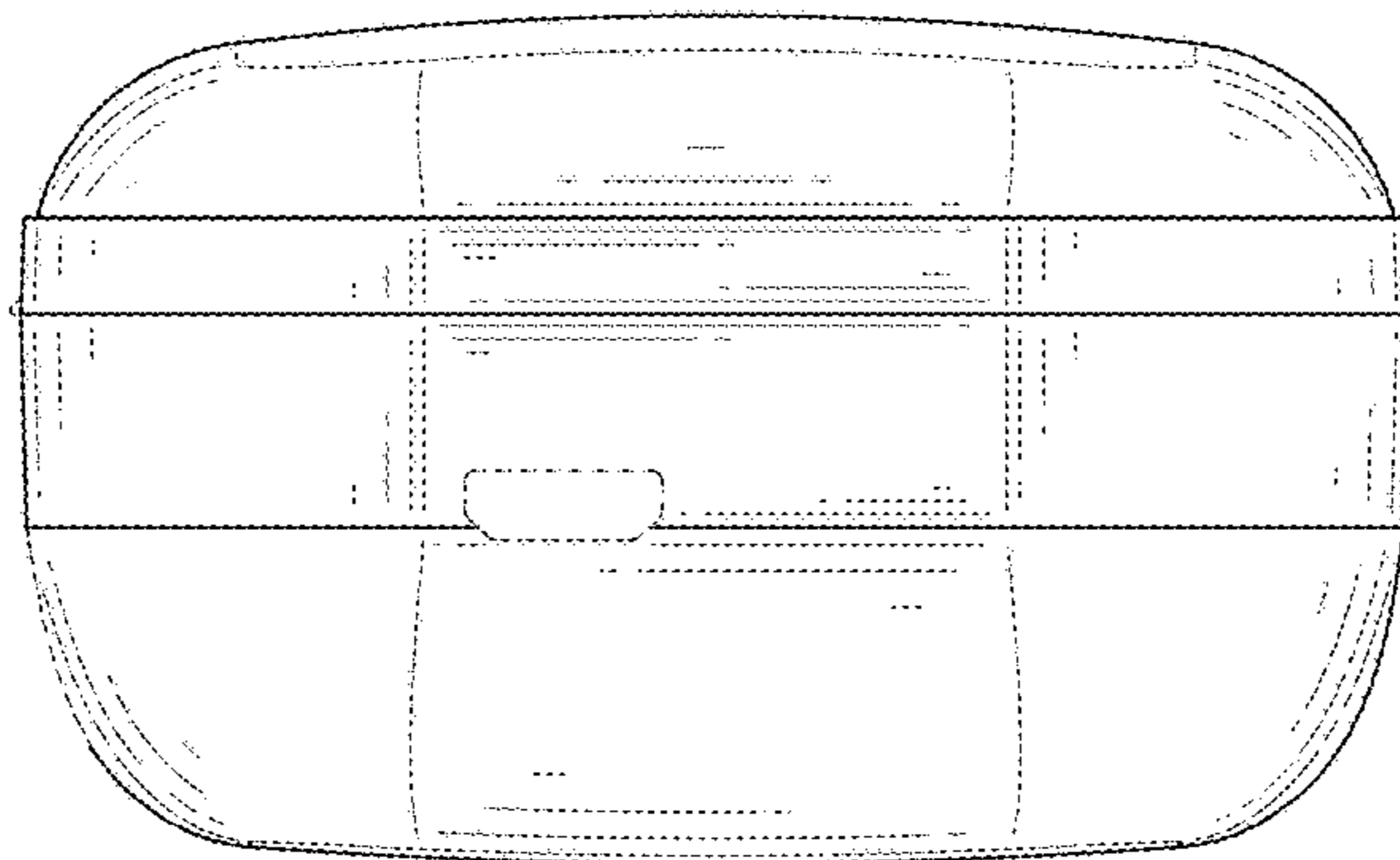


FIG. 6

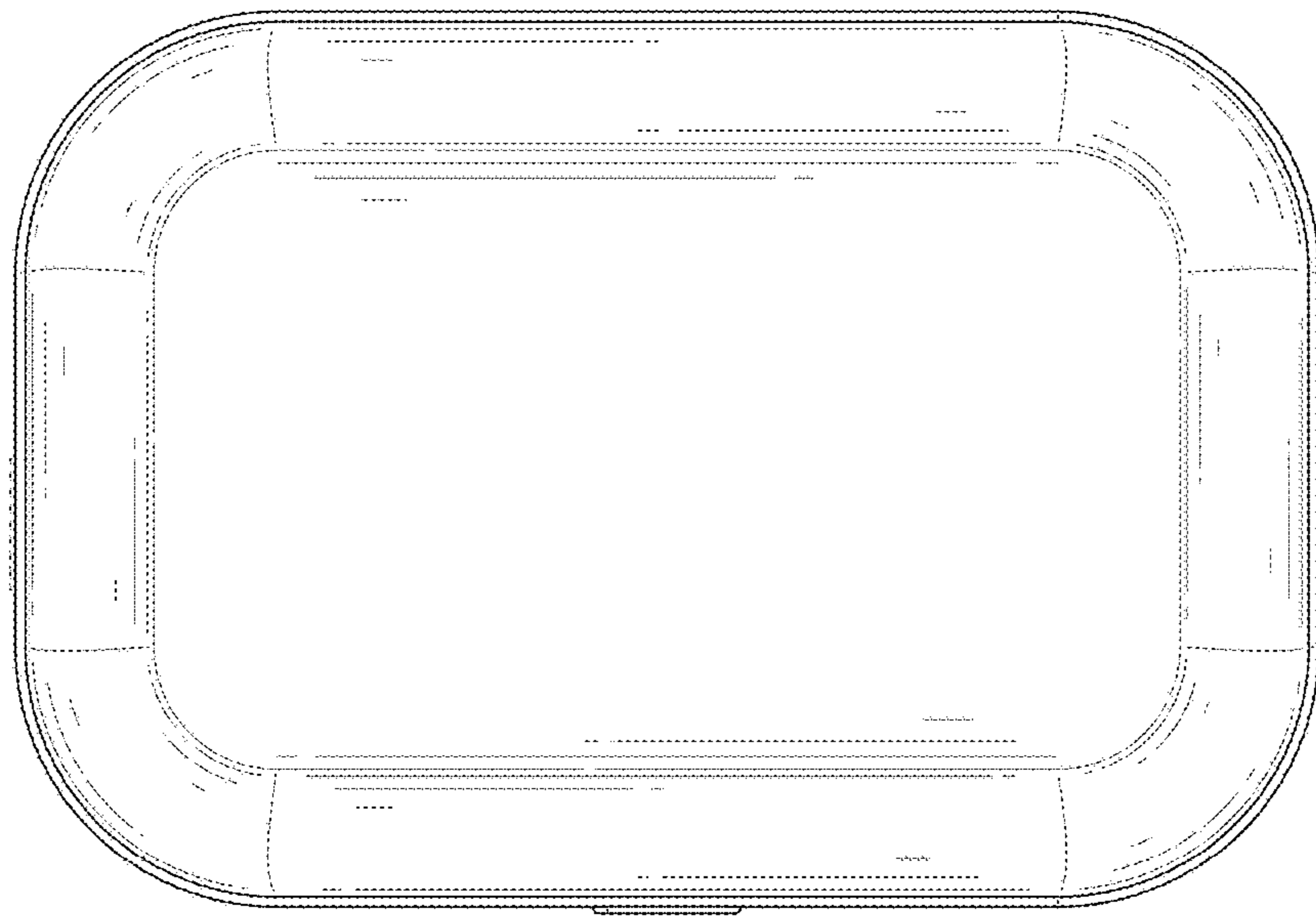


FIG. 7

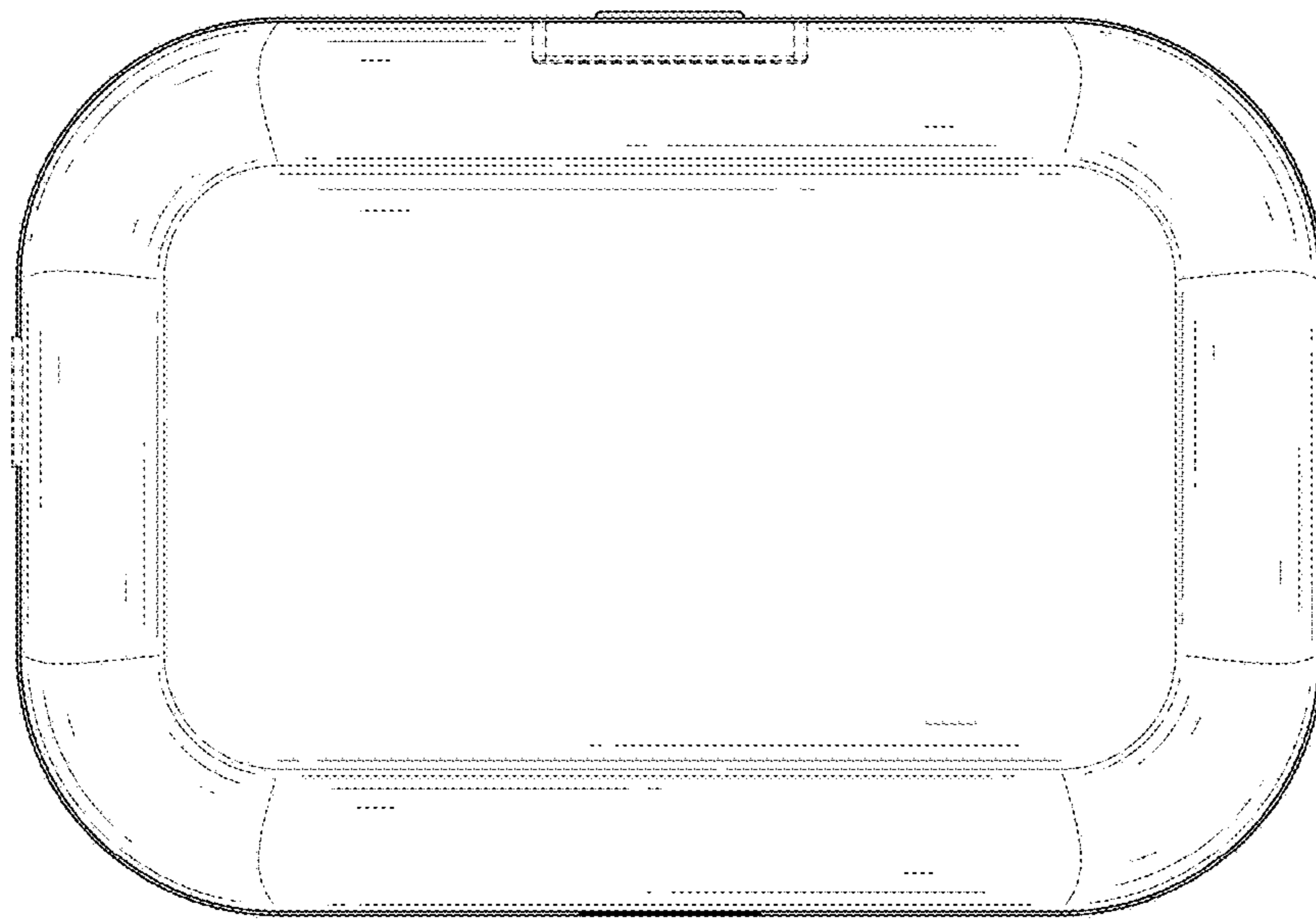


FIG. 8

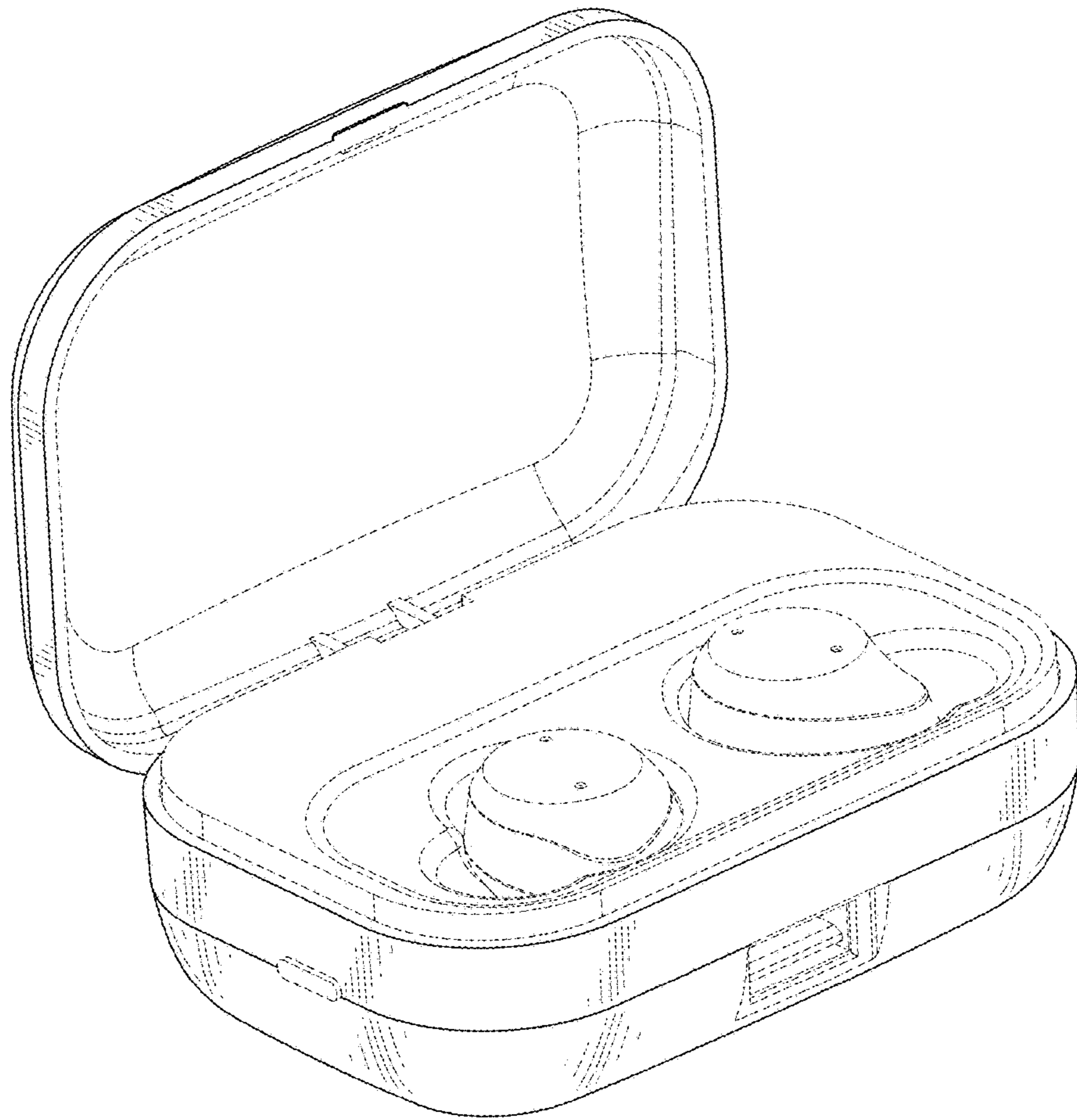


FIG. 9