

US00D846263S

(12) **United States Design Patent**
Lee

(10) **Patent No.:** **US D846,263 S**
(45) **Date of Patent:** **** *Apr. 23, 2019**

- (54) **LACE LOCK**
- (71) Applicant: **Kyu Lee**, Basking Ridge, NJ (US)
- (72) Inventor: **Kyu Lee**, Basking Ridge, NJ (US)
- (73) Assignee: **POSI, INC**, Edison, NJ (US)
- (*) Notice: This patent is subject to a terminal disclaimer.
- (**) Term: **15 Years**
- (21) Appl. No.: **29/586,478**
- (22) Filed: **Dec. 5, 2016**
- (51) **LOC (11) Cl.** **02-99**
- (52) **U.S. Cl.**
USPC **D2/978; D2/946; D2/976**
- (58) **Field of Classification Search**
USPC D2/896-899, 902, 907, 946, 976, 978
CPC .. A43C 1/003; A43C 9/04; A43C 7/00; A43C
11/00; A43C 13/10; A43C 7/08; A43C
7/005; A43B 3/0021
See application file for complete search history.

- 5,649,342 A * 7/1997 D'Andrade A43C 7/005
24/712.2
- D397,843 S * 9/1998 LeRoy A43C 7/08
D2/946
- 6,188,324 B1 * 2/2001 Meschkow A43B 3/0021
340/573.1
- D456,130 S * 4/2002 Towns A43B 1/0054
D2/978
- D627,551 S * 11/2010 Berutich D2/976
- 9,044,068 B2 * 6/2015 Neale A43C 7/08
- D735,987 S * 8/2015 Hsu A43C 7/00
D2/978
- D751,281 S * 3/2016 Nickel A43C 7/005
D2/978

* cited by examiner

Primary Examiner — Rashida C. Walshon

(57) **CLAIM**

The ornamental design for a lace lock, as shown and described.

DESCRIPTION

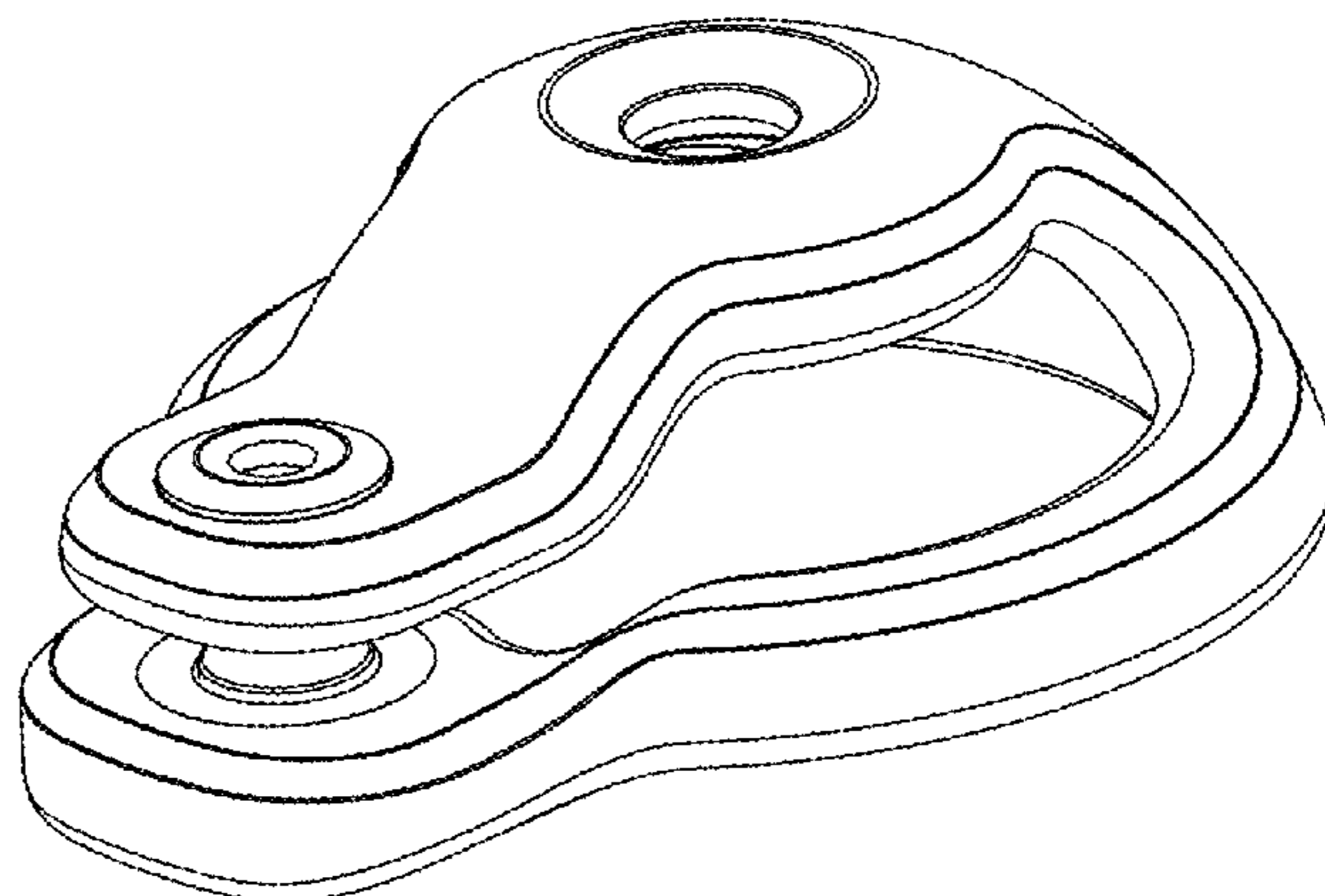
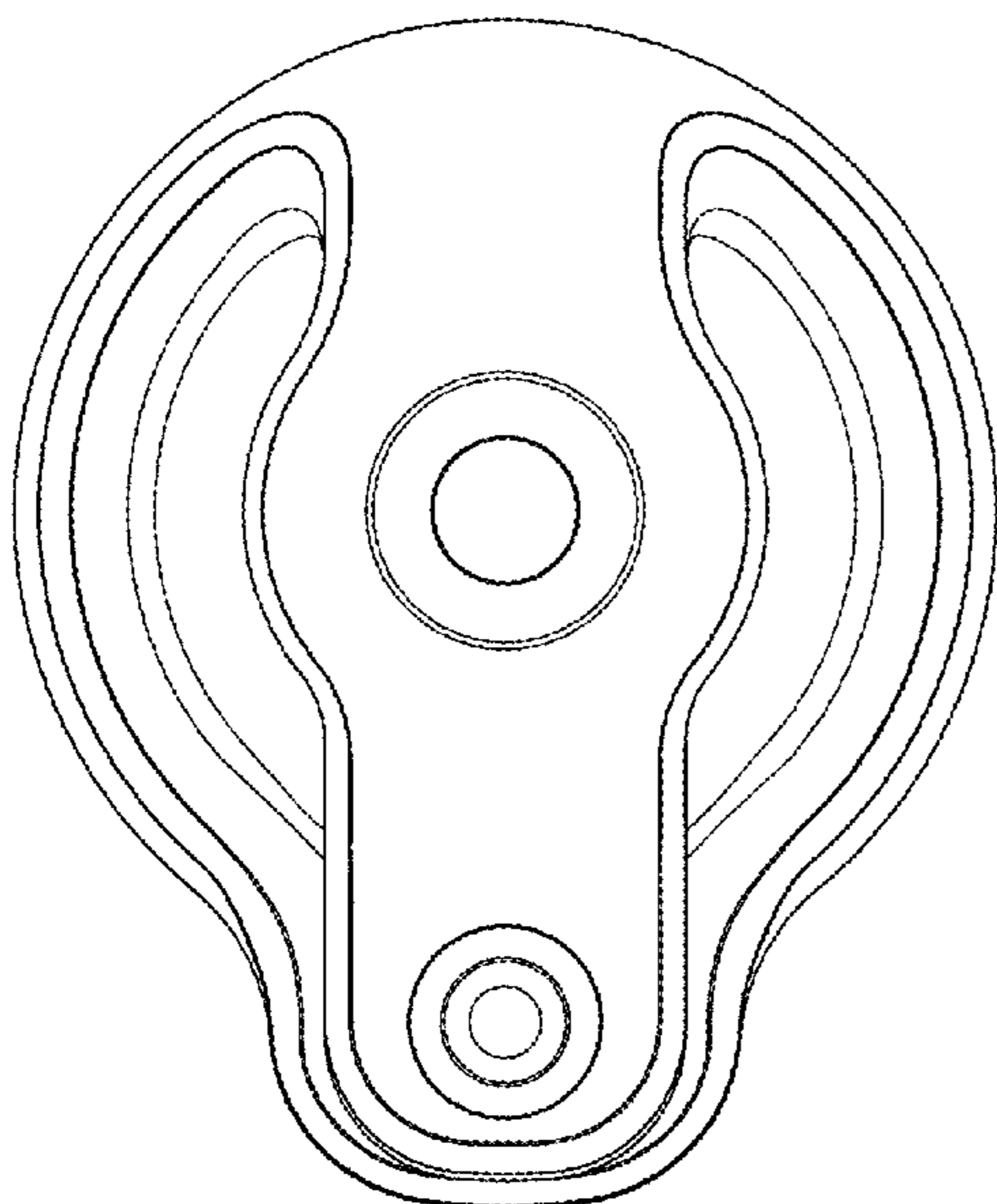
FIG. 1 is a top perspective view lace lock showing my new design;
 FIG. 2 is a front elevational view thereof; the opposite side being a mirror image thereof;
 FIG. 3 is a bottom elevational view thereof;
 FIG. 4 is a side elevational view, the opposite side being a mirror image thereof;
 FIG. 5 is a top isometric view thereof; and,
 FIG. 6 is a bottom isometric view thereof.

1 Claim, 3 Drawing Sheets

(56) **References Cited**

U.S. PATENT DOCUMENTS

- 779,710 A * 1/1905 Henderson A43C 7/00
24/712.2
- 3,106,003 A * 10/1963 Herdman A43C 7/00
24/712.3
- 3,345,707 A * 10/1967 Rita A43C 7/00
24/712.2
- D367,755 S * 3/1996 Jones D2/978



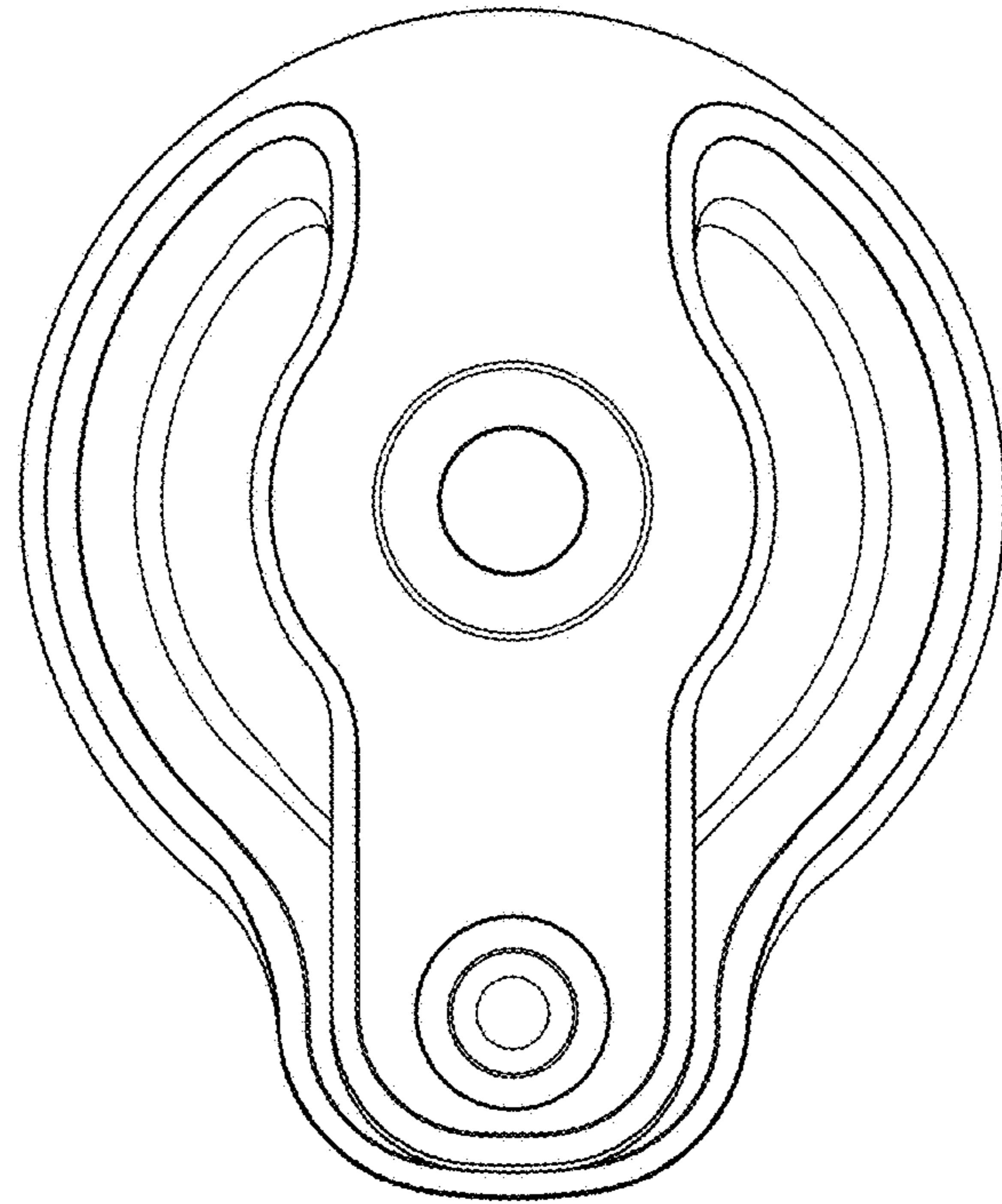


Fig. 1

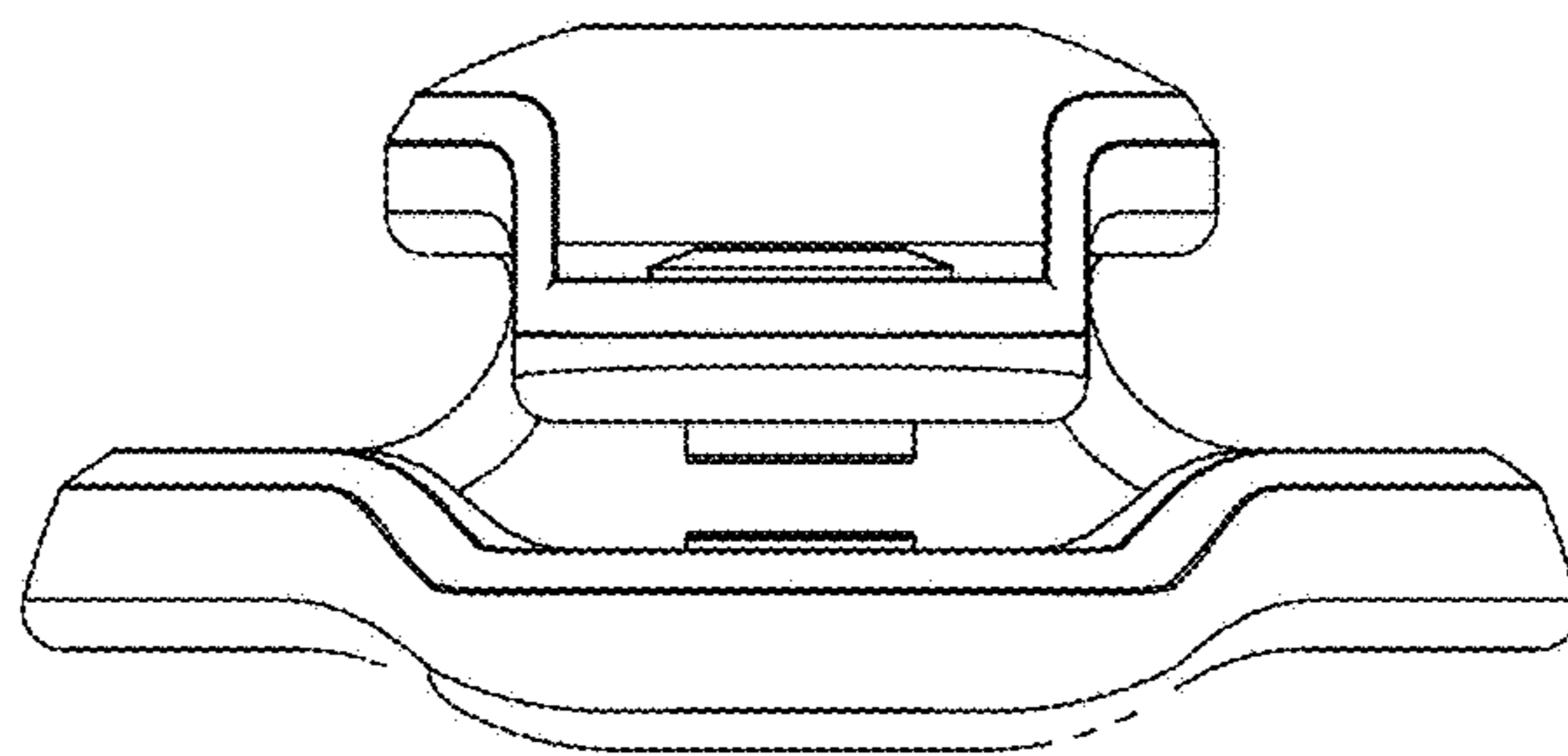


Fig. 2

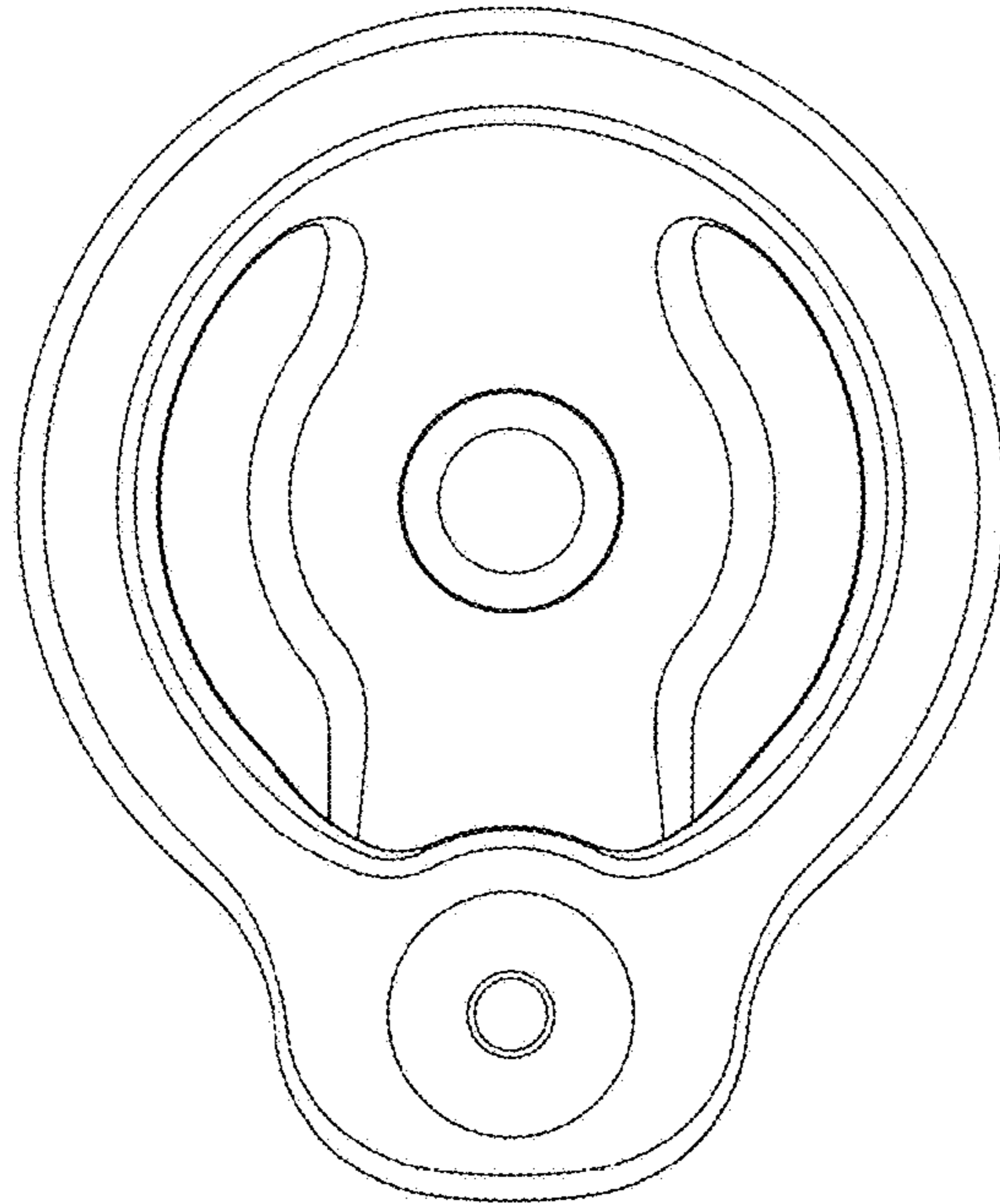


Fig. 3

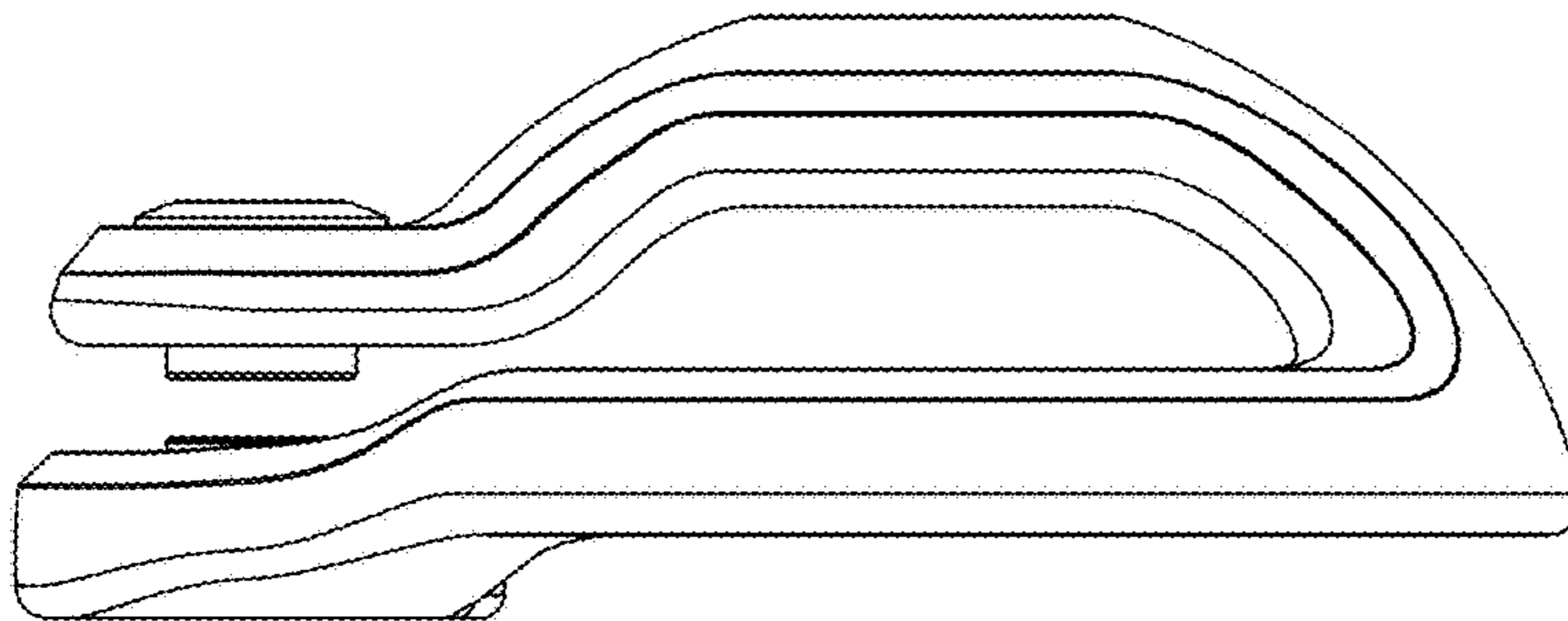


Fig. 4

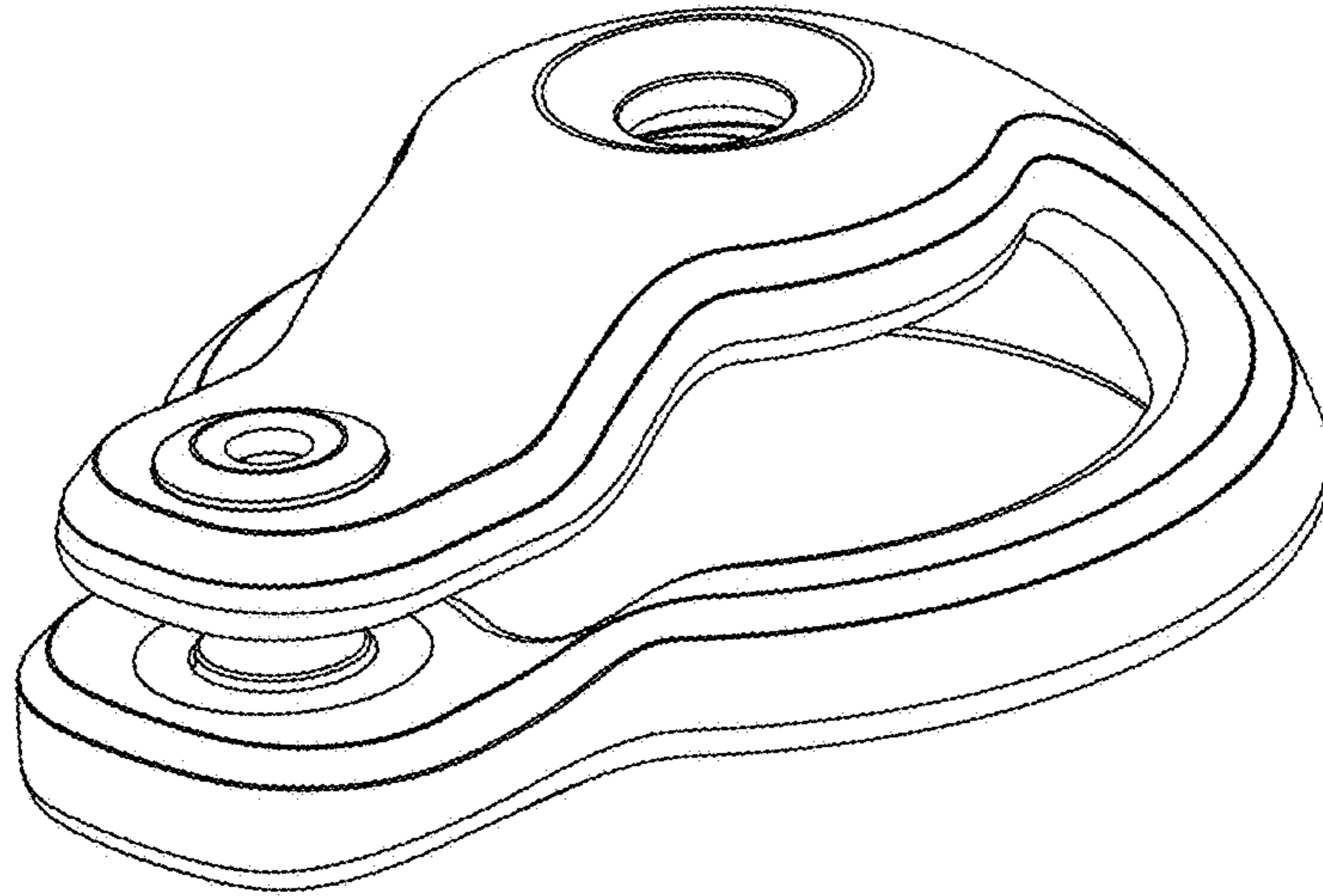


Fig. 5

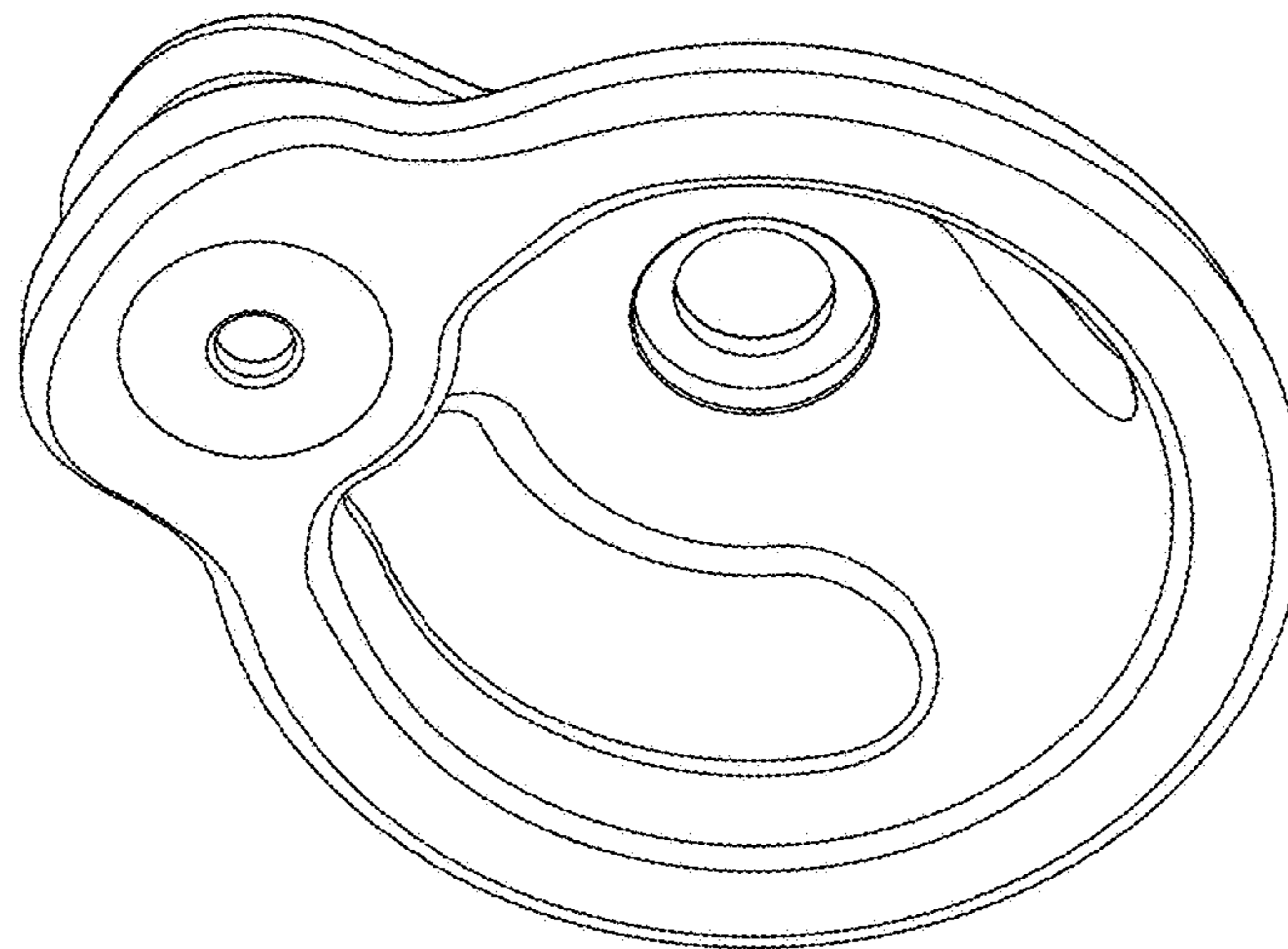


Fig. 6