

US00D846238S

(12) **United States Design Patent** (10) **Patent No.:** **US D846,238 S**
Cutone (45) **Date of Patent:** **** Apr. 23, 2019**

(54) **HAT WITH A POCKET**
(71) Applicant: **Siobhan Cutone**, Redmond, WA (US)
(72) Inventor: **Siobhan Cutone**, Redmond, WA (US)
(73) Assignee: **Siobhan Cutone**, Redmond, WA (US)
(**) Term: **15 Years**
(21) Appl. No.: **29/622,823**
(22) Filed: **Oct. 19, 2017**
(51) **LOC (11) Cl.** **02-03**
(52) **U.S. Cl.**
USPC **D2/891**
(58) **Field of Classification Search**
USPC D2/865, 866, 867, 868, 869, 870, 874,
D2/878, 880, 881, 882, 885, 889, 891
CPC .. A42B 1/00; A42B 1/04; A42B 1/041; A42B
1/043; A42B 1/062; A42B 1/064; A42B
1/066; A42B 1/12; A42B 1/206; A42B
1/247; A42C 5/00; A42C 5/02; A42C
5/04
See application file for complete search history.

D624,286 S * 9/2010 Hall D2/878
D689,671 S * 9/2013 Porti D2/891
D705,526 S * 5/2014 Clark D2/866
D740,523 S * 10/2015 Cho D2/891
2008/0016602 A1* 1/2008 Baldwin A42B 1/241
2/209.13

* cited by examiner

Primary Examiner — Karen S Acker
Assistant Examiner — Jasmine Mlinarcik
(74) *Attorney, Agent, or Firm* — Lee & Hayes, P.C.

(57) **CLAIM**

The ornamental design for a hat with a pocket, as shown and described.

DESCRIPTION

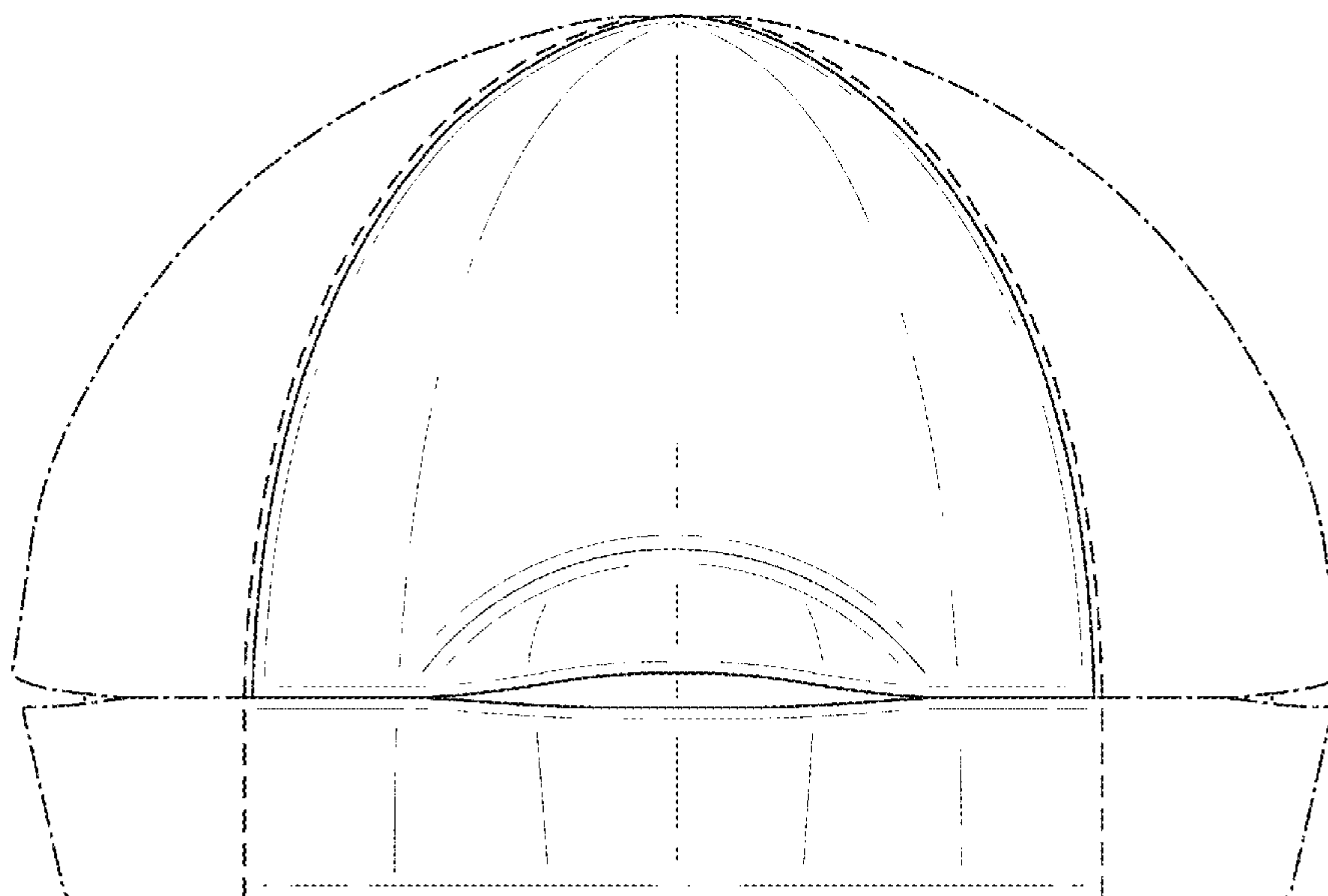
FIG. 1 is a perspective view of a hat with a pocket, wherein the hat is pictured right-side out.
FIG. 2 is a cross-sectional view of the hat with a pocket along line 2-2 of FIG. 1.
FIG. 3 is a perspective view of the hat with a pocket, wherein the hat is pictured inside out.
FIG. 4 is a front elevation view thereof.
FIG. 5 is a back elevation view thereof.
FIG. 6 is a left side elevation view thereof.
FIG. 7 is a right side elevation view thereof.
FIG. 8 is a top plan view thereof; and,
FIG. 9 is a bottom plan view thereof.
The dashed lines in the drawings define the bounds of the claimed design and forms no part thereof. The dot-dash lines in the drawings illustrate the environment of the claimed design and form no part thereof.

1 Claim, 9 Drawing Sheets

(56) **References Cited**

U.S. PATENT DOCUMENTS

D321,581 S * 11/1991 Li D14/192
6,023,788 A * 2/2000 McCallum A42B 1/241
2/181
D456,118 S * 4/2002 Hill D2/866
D475,178 S * 6/2003 Taguchi D2/876
D496,145 S * 9/2004 Lacey D2/866
D527,871 S * 9/2006 Rogers D2/882
D549,931 S * 9/2007 Melton D2/882
D571,982 S * 7/2008 Kirby D2/882



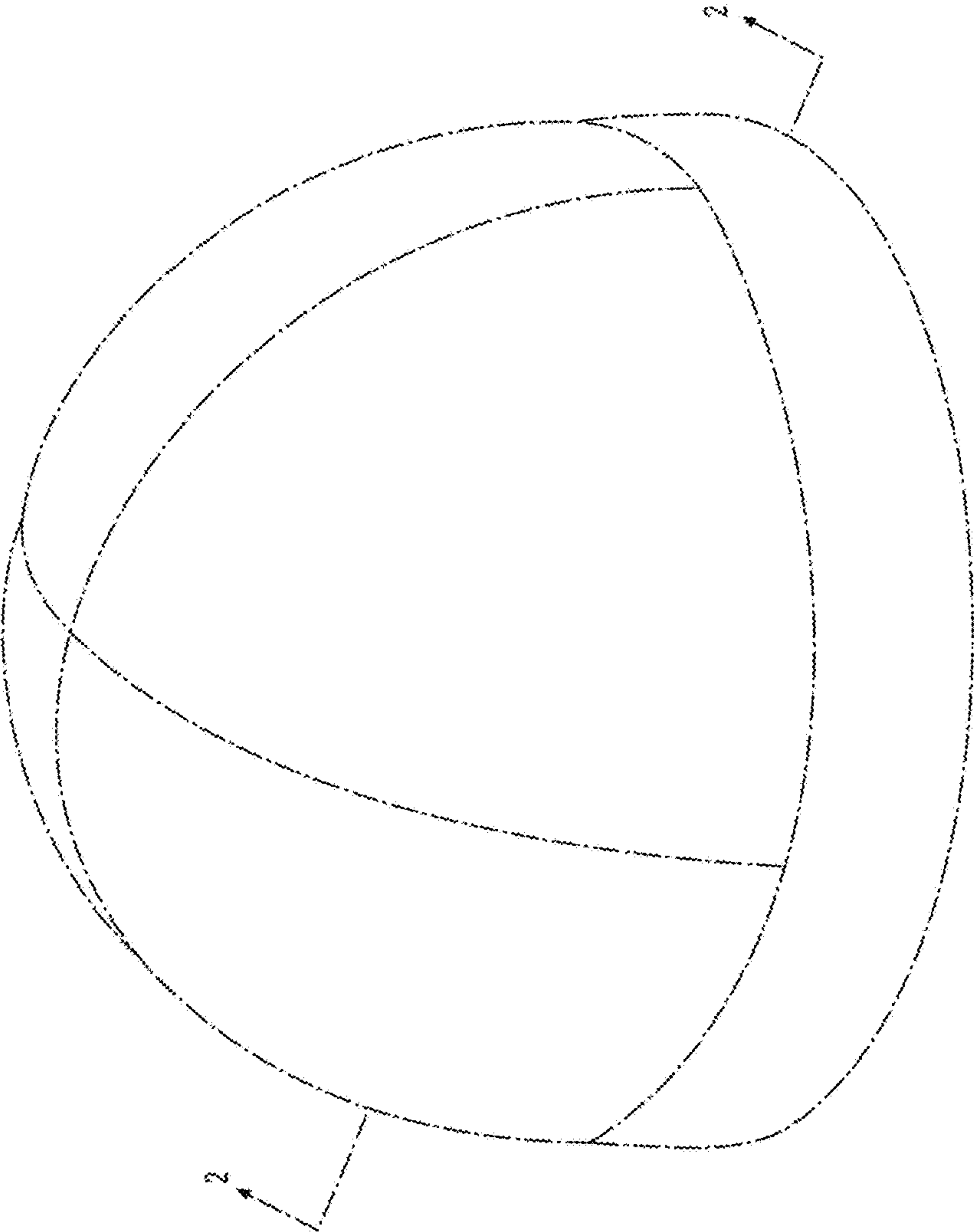


FIG. 1

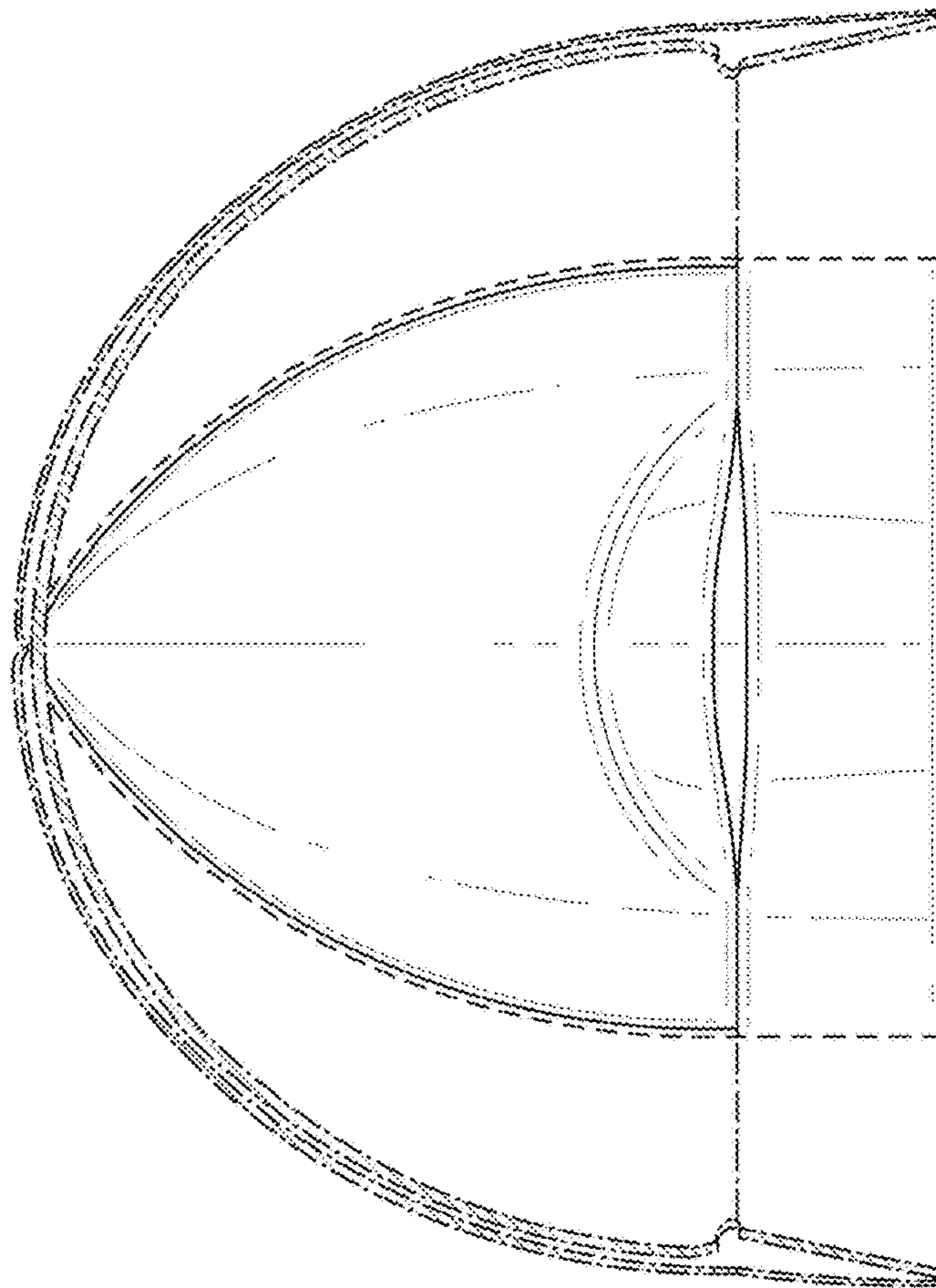


FIG. 2

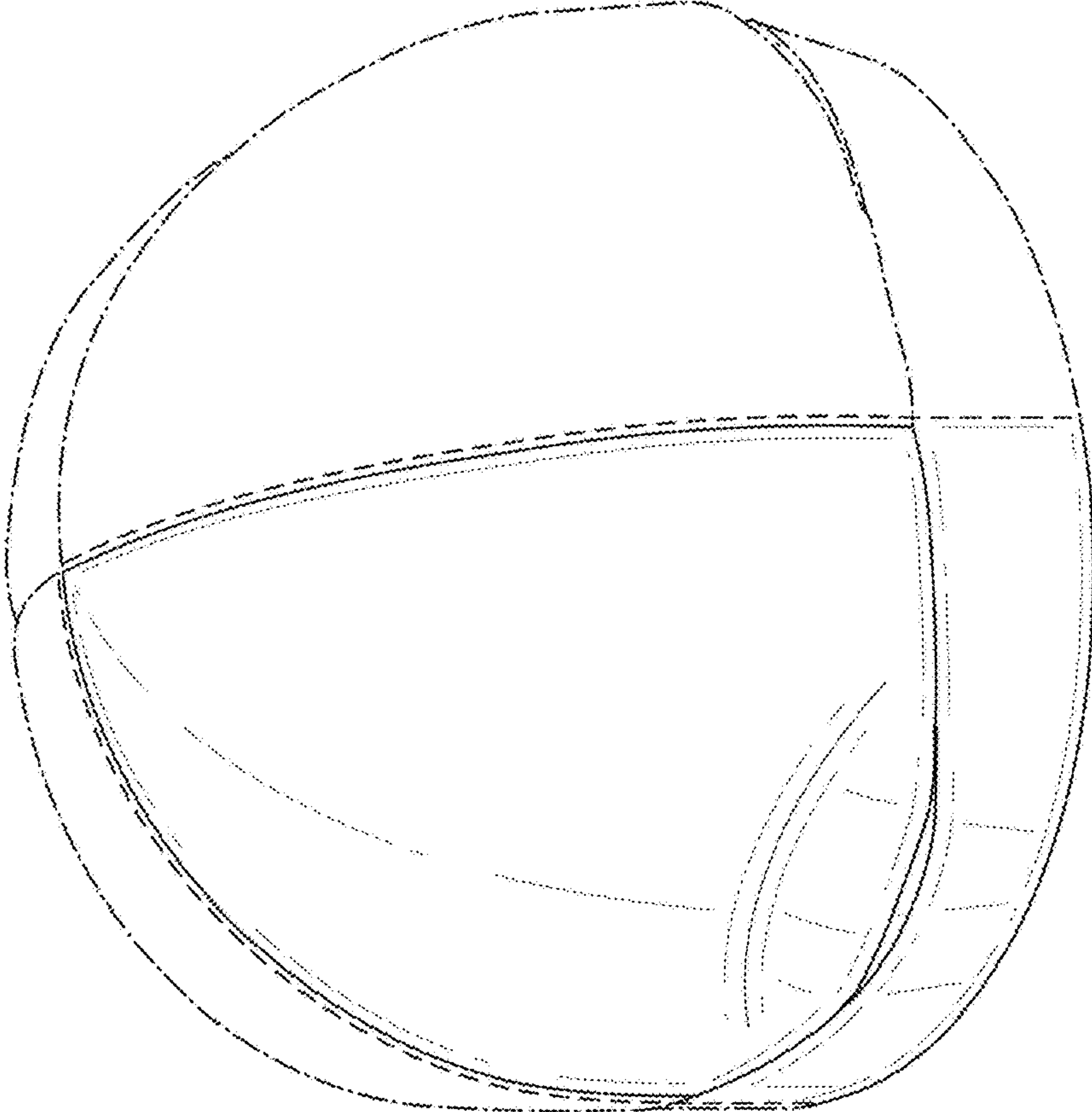


FIG. 3

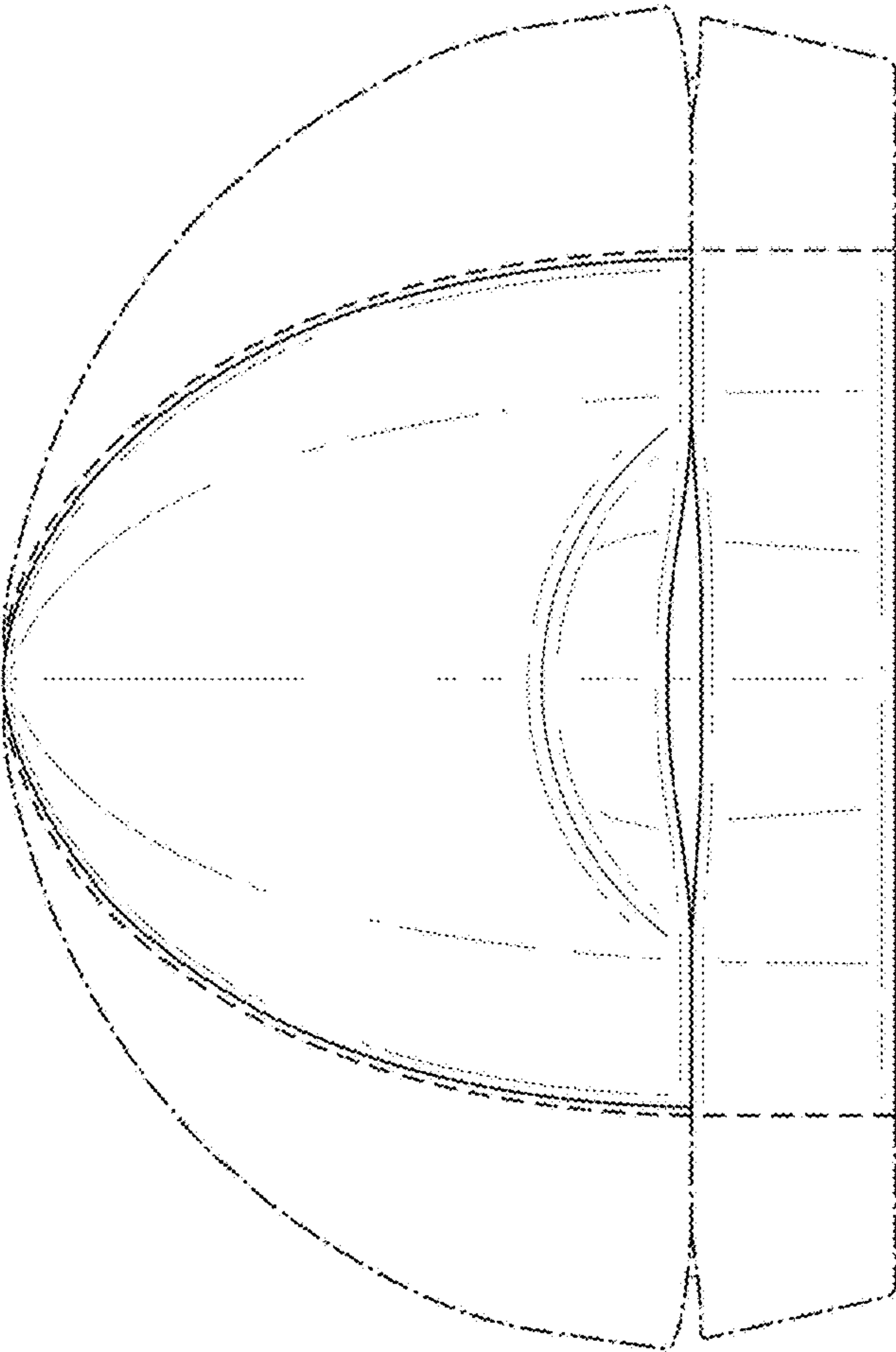


FIG. 4

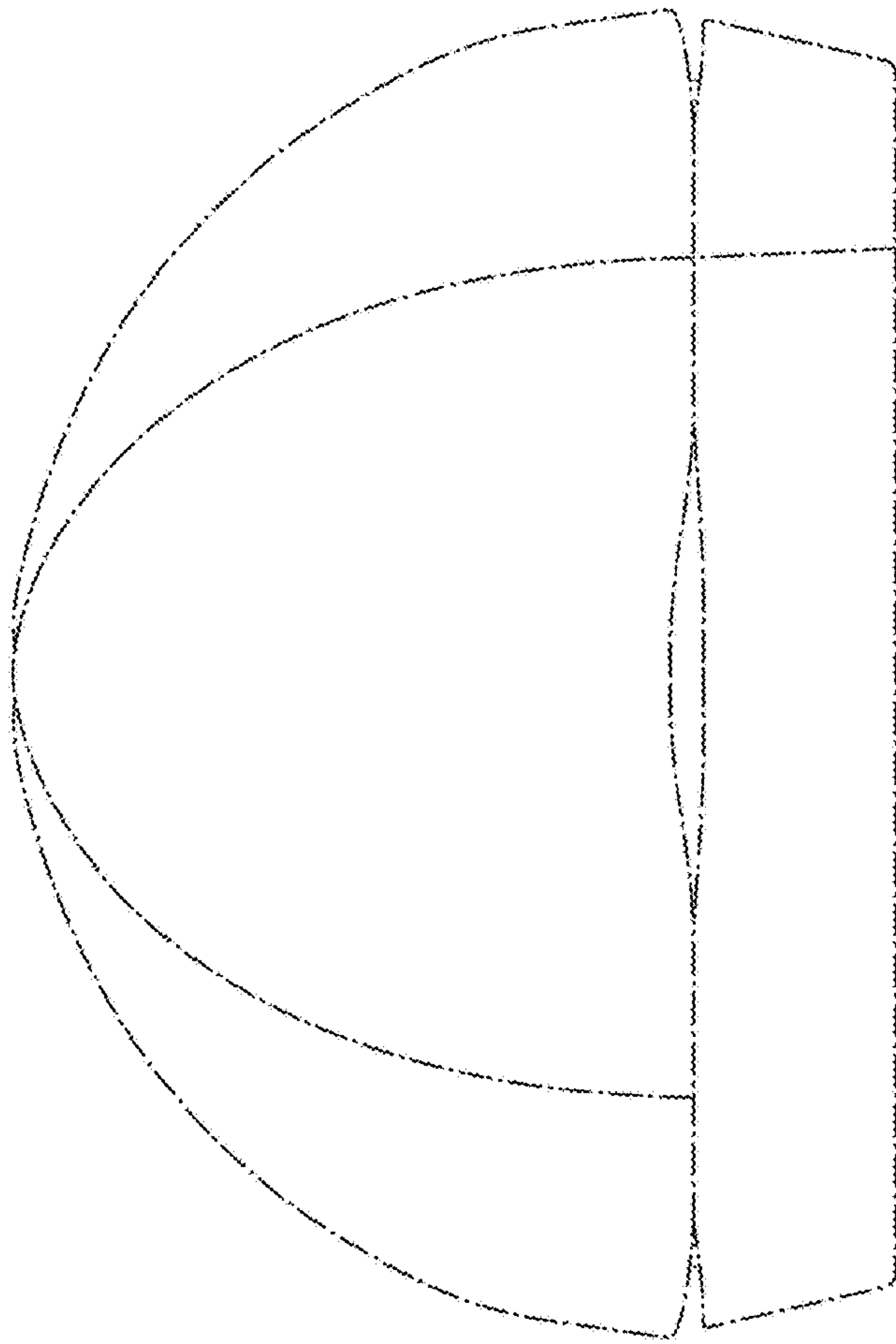


FIG. 5

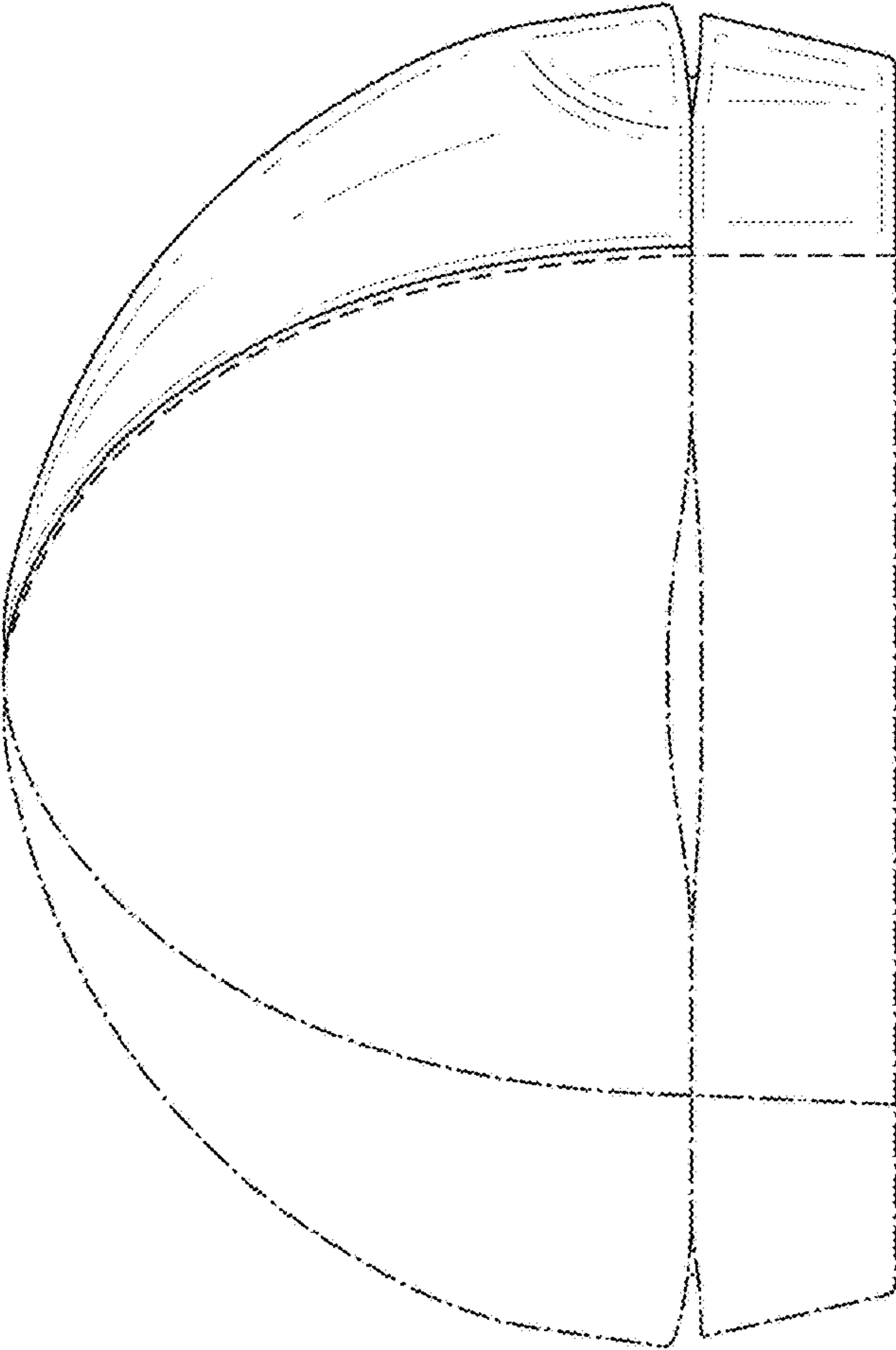


FIG. 6

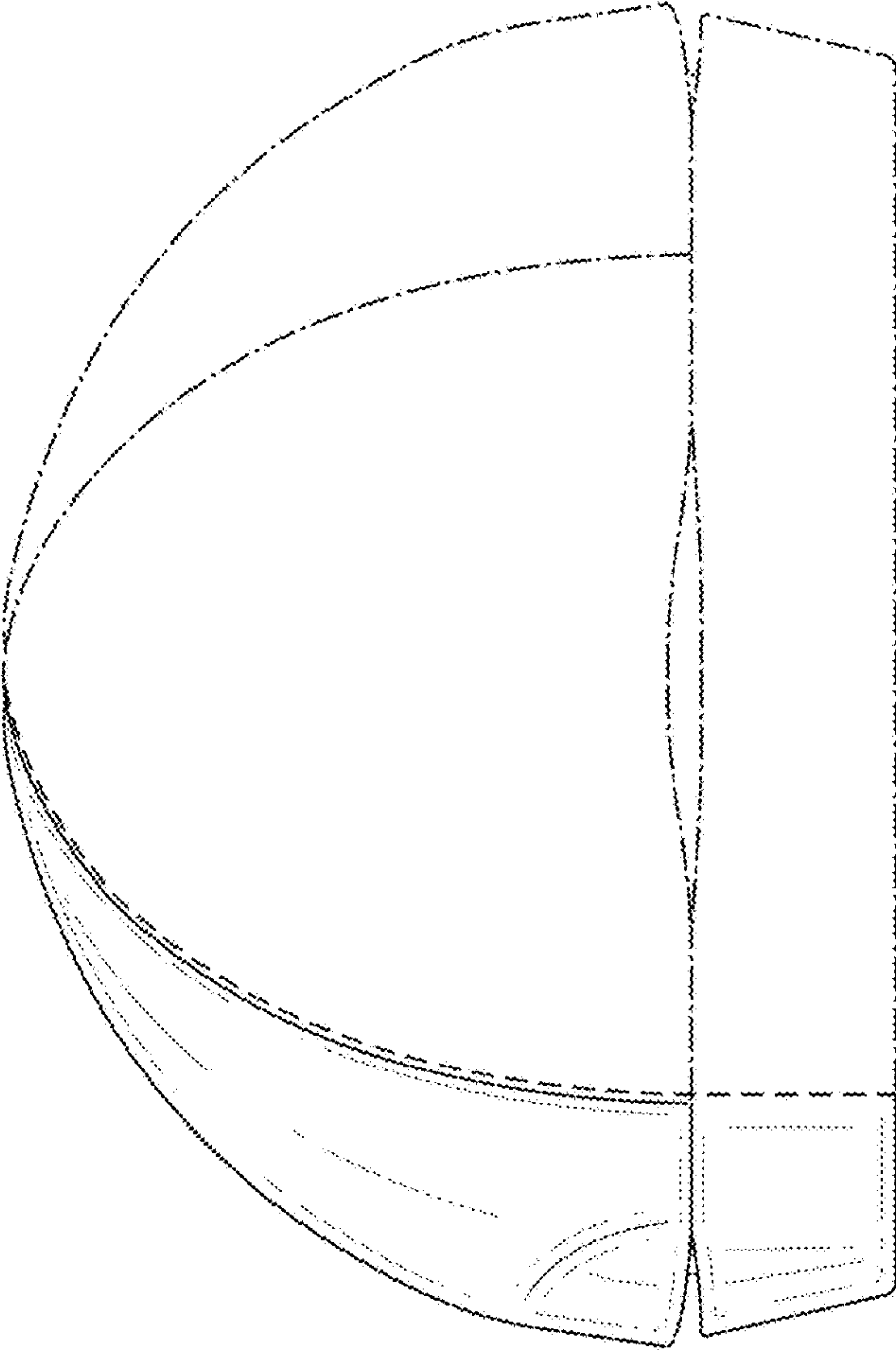


FIG. 7

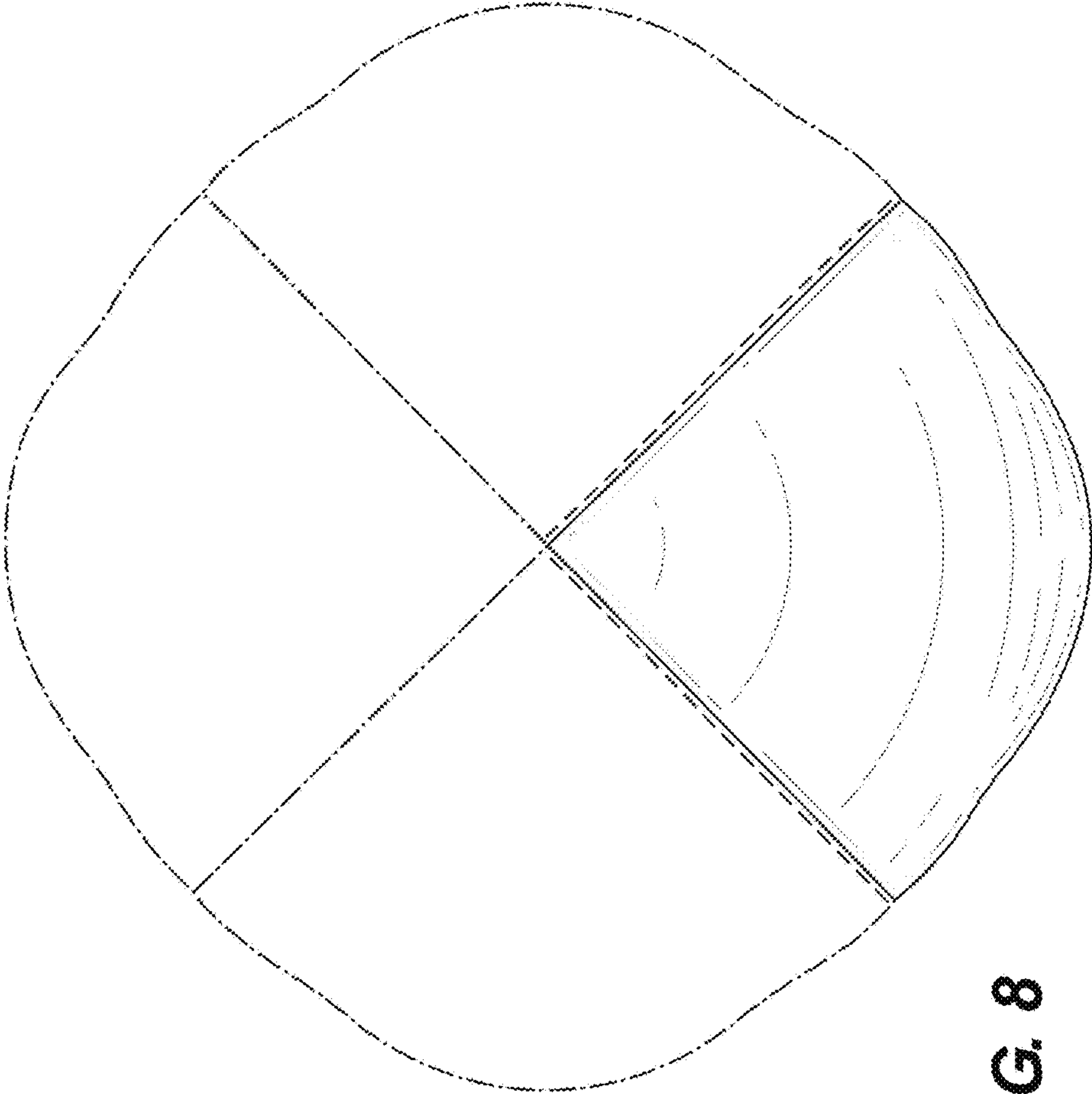


FIG. 8

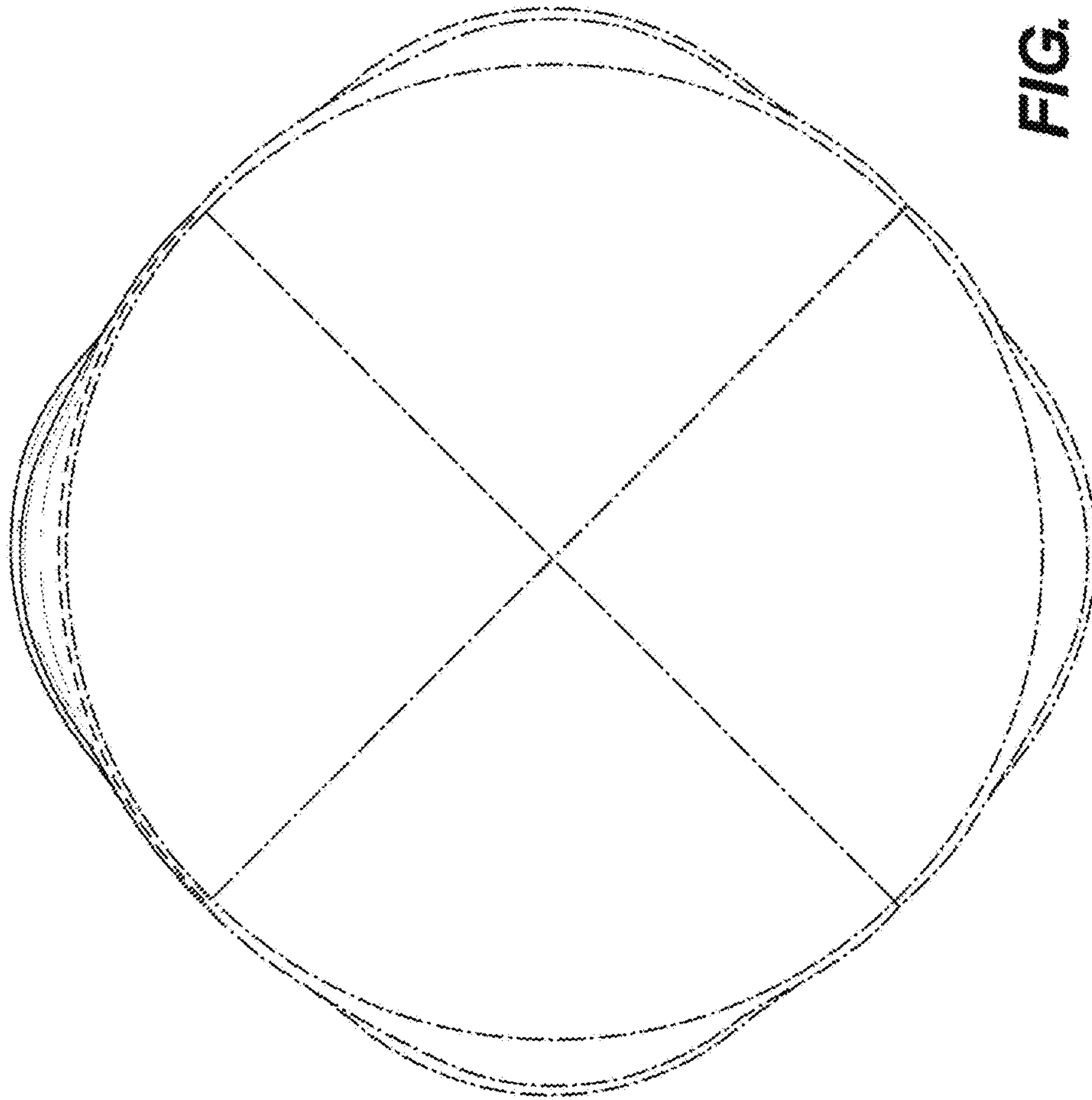


FIG. 9