



US00D846237S

(12) **United States Design Patent**
Borovicka

(10) **Patent No.:** **US D846,237 S**
(45) **Date of Patent:** **** Apr. 23, 2019**

(54) **GARMENT**
(71) Applicant: **NIKE, Inc.**, Beaverton, OR (US)
(72) Inventor: **Vanessa Leigh Borovicka**, Lake Oswego, OR (US)
(73) Assignee: **NIKE, Inc.**, Beaverton, OR (US)
(**) Term: **15 Years**

D641,954 S 7/2011 Glass
8,082,595 B2 12/2011 Nordstrom
8,376,808 B2 2/2013 Hopkins
D703,922 S 5/2014 Roberts et al.
D706,020 S 6/2014 Hammel
D710,573 S 8/2014 Pezzimenti
(Continued)

(21) Appl. No.: **29/622,974**
(22) Filed: **Oct. 20, 2017**
(51) **LOC (11) Cl.** **02-02**
(52) **U.S. Cl.**
USPC **D2/829**
(58) **Field of Classification Search**
USPC D2/706-708, 728, 731, 732, 750-753,
D2/828-839, 847, 848, 853, 857;
D29/101.3
CPC A41C 3/0057; A41C 3/08; A41C 3/12;
A41D 1/18; A41D 13/0007; A41D
13/0015; A41D 13/0017; A41D 3/00;
A41D 3/02; A41D 3/04
See application file for complete search history.

FOREIGN PATENT DOCUMENTS

WO 2017075703 A1 5/2017

OTHER PUBLICATIONS

Fluorescent Orange Zip Front Sleeveless Rash Guard Swimwear
Emmacloth <<http://www.emmacloth.com/>> accessed on Feb. 26,
2018.*

(Continued)

Primary Examiner — Kevin K Rudzinski
Assistant Examiner — Clare Ann Gannon
(74) *Attorney, Agent, or Firm* — Shook, Hardy and Bacon
L.L.P.

(57) **CLAIM**

The ornamental design for a garment, as shown and
described.

(56) **References Cited**

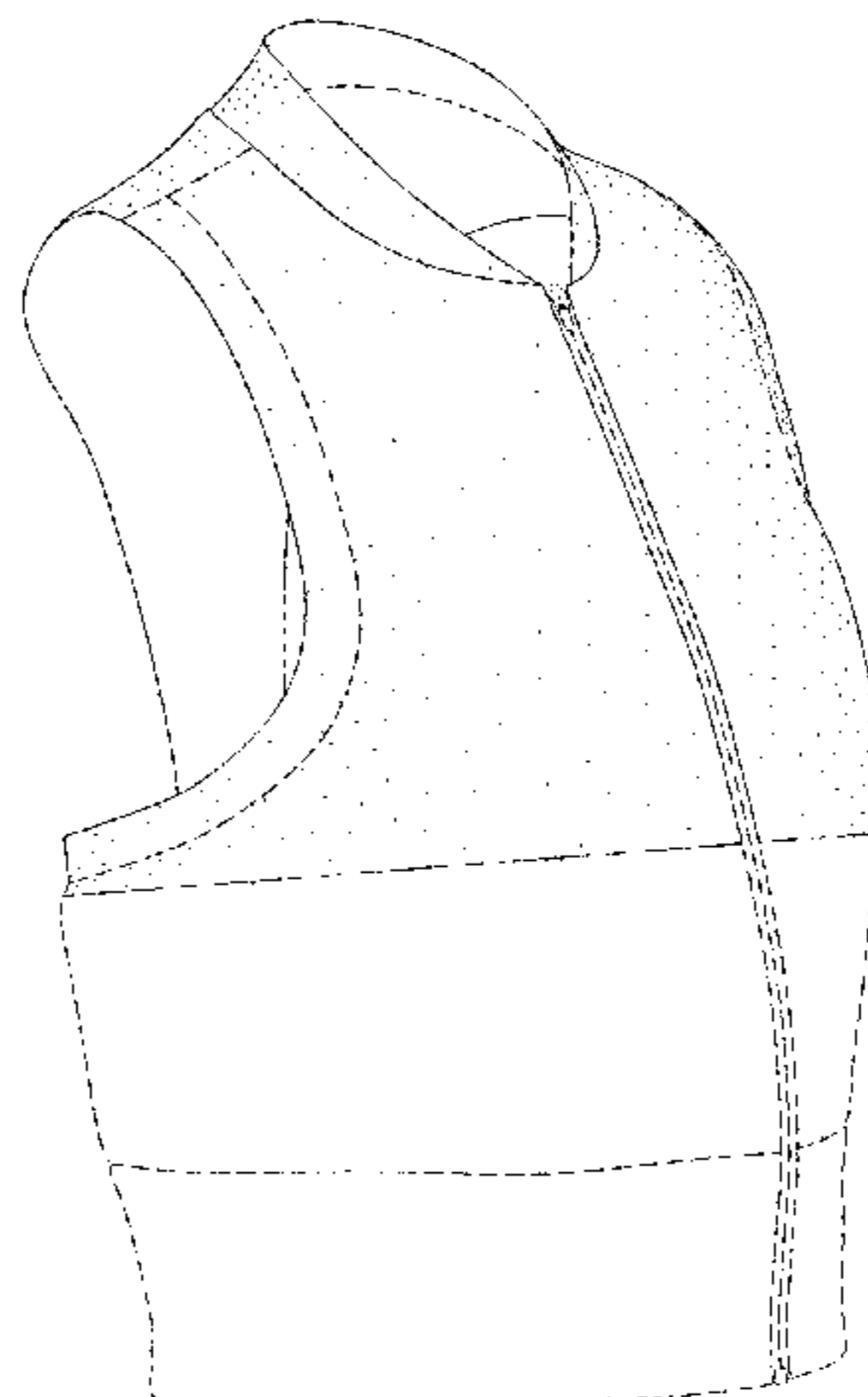
U.S. PATENT DOCUMENTS

D228,828 S * 10/1973 Chapman 128/874
5,033,986 A 7/1991 Feigenbaum et al.
5,211,598 A 5/1993 Hall
D341,471 S * 11/1993 Cross D2/717
D403,486 S * 1/1999 Chetwynd D2/706
5,946,726 A * 9/1999 Green A41D 13/0017
2/102
D414,913 S 10/1999 Katz et al.
6,517,410 B1 * 2/2003 Underhill A41C 3/0035
450/1
D580,633 S * 11/2008 Cross D2/840
D594,633 S 6/2009 Floyd
D600,885 S 9/2009 Leunis
7,628,675 B2 12/2009 Staub

DESCRIPTION

FIG. 1 is a front perspective view of a garment showing my
design;
FIG. 2 is a rear elevational view thereof;
FIG. 3 is a front elevational view thereof;
FIG. 4 is a right elevational view thereof;
FIG. 5 is a left elevational view thereof;
FIG. 6 is a top plan view thereof; and,
FIG. 7 is a bottom plan view thereof.
The long-and-short broken lines form no part of the claim.
The even-length broken lines depict portions of the garment
including stitching that form no part of the claimed design.

1 Claim, 6 Drawing Sheets



(56)

References Cited

U.S. PATENT DOCUMENTS

8,900,032	B2	12/2014	Punsal	
D735,970	S *	8/2015	Congdon	D2/708
D753,900	S	4/2016	Borovicka	
9,456,639	B2	10/2016	Aylward	
D778,536	S	2/2017	Adrovic	
D778,541	S *	2/2017	Adrovic	D2/840
D788,404	S	6/2017	Van Sisseren	
D789,653	S	6/2017	Robertson et al.	
D796,792	S *	9/2017	Fisher	D2/840
2006/0223414	A1 *	10/2006	Staub	A41C 3/0057 450/1
2010/0124049	A1 *	5/2010	Fabian	A41D 13/01 362/108
2012/0045967	A1 *	2/2012	Punsal	A41C 3/0057 450/82
2012/0142252	A1 *	6/2012	Hopkins	A41C 3/08 450/31
2014/0295734	A1 *	10/2014	Shashy	A41C 3/02 450/58
2015/0040286	A1 *	2/2015	Schultz	A41D 1/00 2/88
2015/0056890	A1 *	2/2015	Black	A41C 3/0057 450/86
2016/0235129	A1	8/2016	Jackson	

OTHER PUBLICATIONS

Gust Buster Jacket by Lululemon. Lulu Fanatics. Sep. 8, 2012 <<https://www.lulufanatics.com/item/11555/lululemon-run-gust-buster-jacket-white>>. Accessed on Feb. 28, 2018.*

Gust Buster Vest by Lululemon. Lulu Fanatics. Sep. 8, 2012 <<https://www.lulufanatics.com/item/11558/lululemon-run-gust-buster-vest-white>>. Accessed on Feb. 28, 2018.*

Magic Body Shaper Zip Up Waist Trainer Sports Bra Vest <<https://www.giveawayservice.com/promotions/magic-body-shaper-zip-up-waist-trainer-sports-bra>>. Accessed on Feb. 26, 2018.*

Block Party Sleeveless Vest Rashguard by Seafolly. Amazon.com Oct. 7, 2015. <<https://www.amazon.com/Seafolly-Womens-Sleeveless-Rashguard-Indigo/dp/B013SQPXXI/>>. Accessed on Feb. 26, 2018.*

“The North Face—Pseudio Puffer Hooded Tunic Vest, Cayenne Red” neimanmarcus.com, accessed: Dec. 6, 2017 <http://www.neimanmarcus.com/The-North-Face-Pseudio-Puffer-Hooded-Tunic-Vest-Cayenne-Red/prod197790496/p.prod?>.

“T-shirt woman back and front, vector,” Colourbox, colourbox.com, accessed: Nov. 2017. <https://www.colourbox.com/vector/t-shirt-woman-back-and-front-vector-8268568>.

“Intelliskin Foundation 2.0 / Eve Shirt Review—A Compression Shirt That Improves Posture,” Posture Brace Guide, posturebraceguide.com, May 1, 2015. <https://web.archive.org/web/20150501013151/https://www.posturebraceguide.com/intelliskin-foundation-2-0-eve-shirt-review-a-compression-shirt-that-improves-posture/>.

* cited by examiner

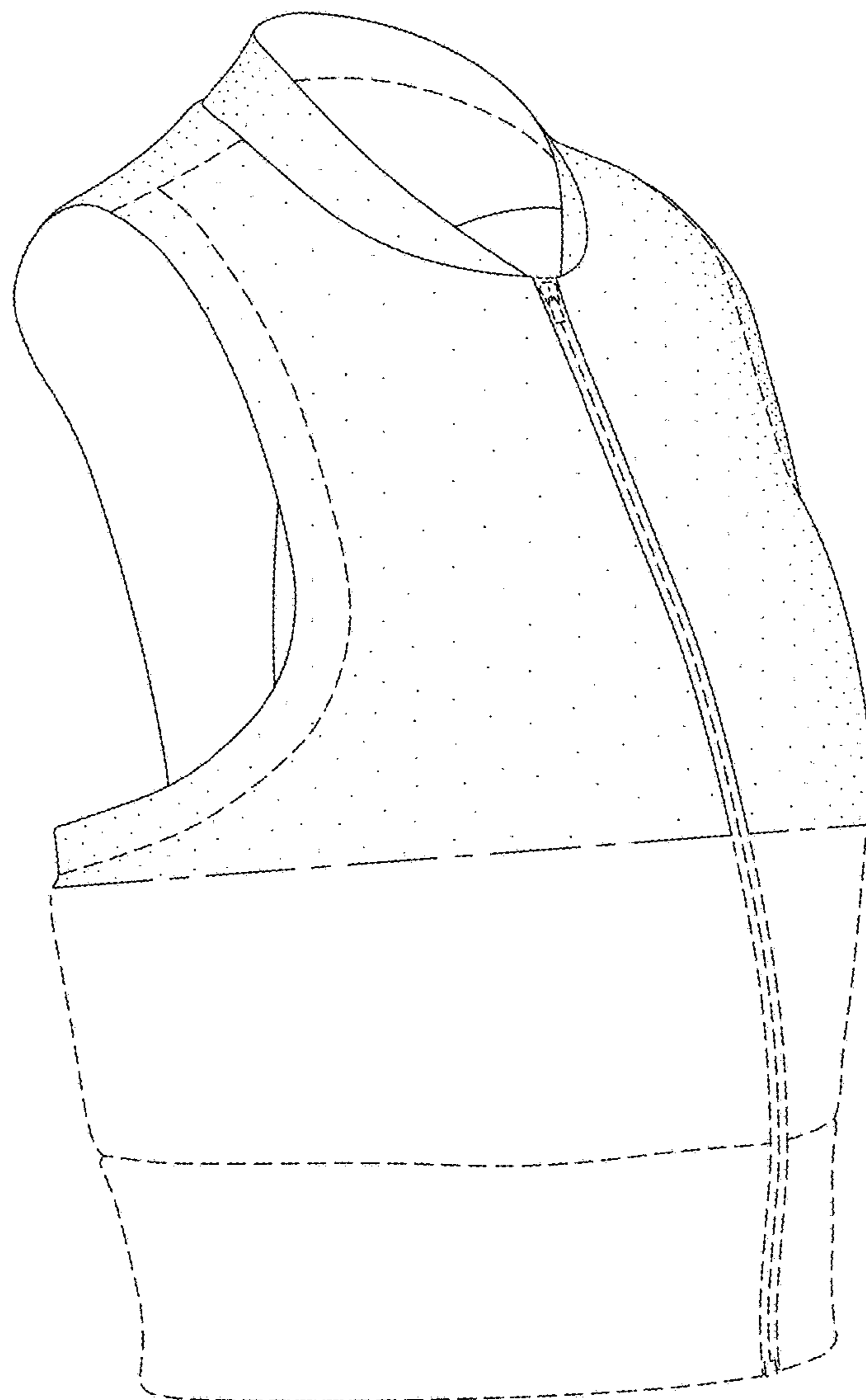


FIG. 1.

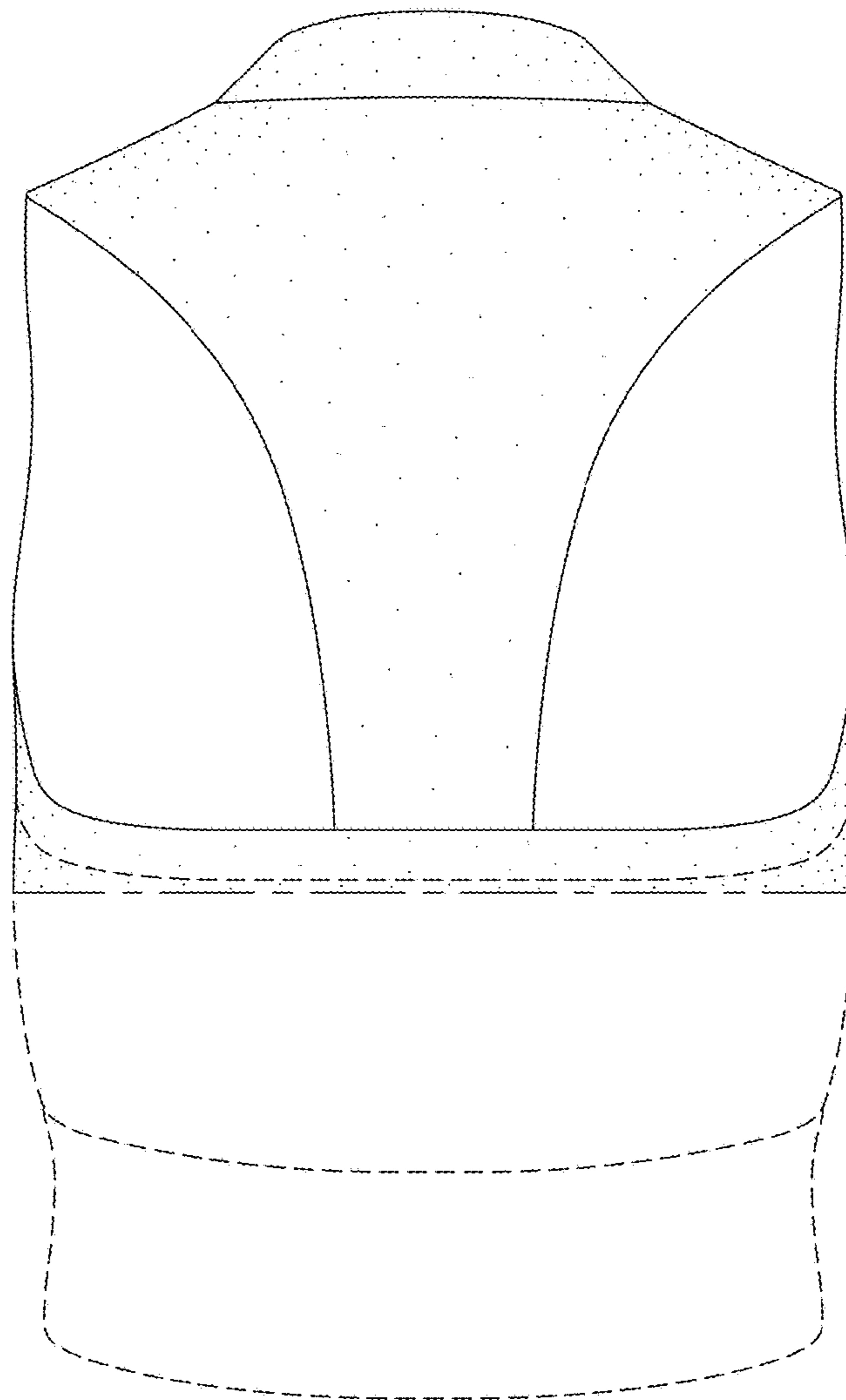


FIG. 2.

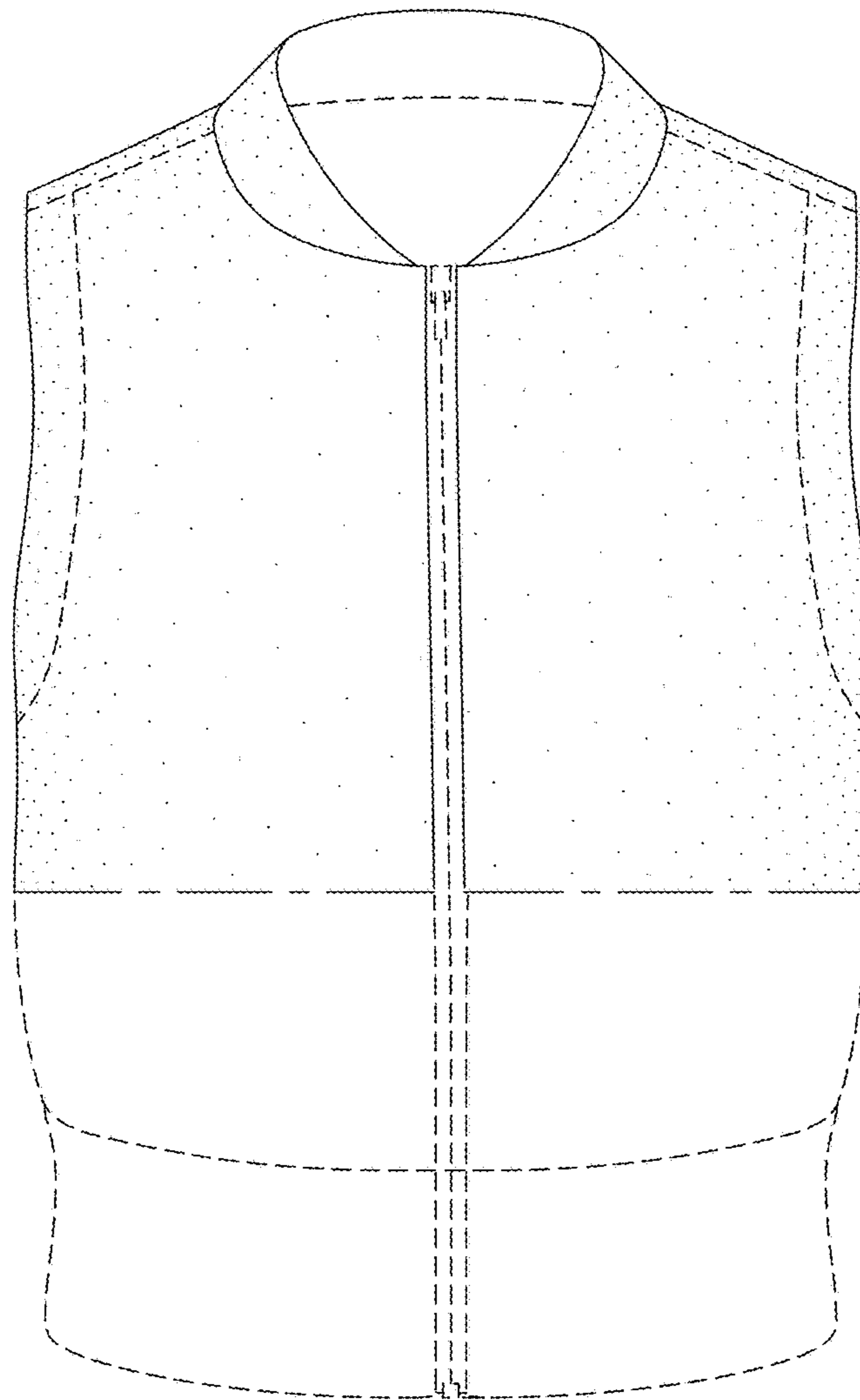


FIG. 3.

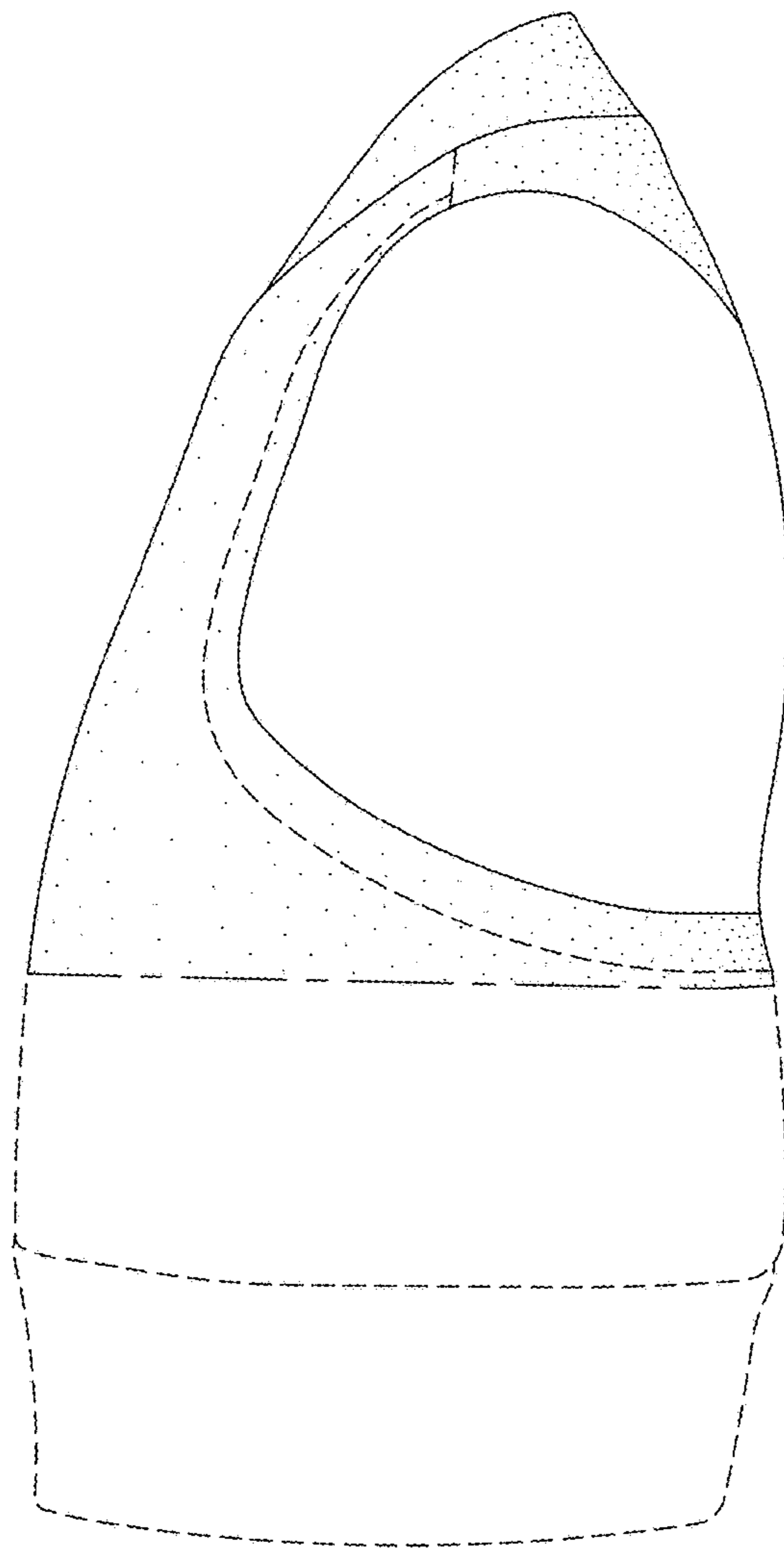


FIG. 4.

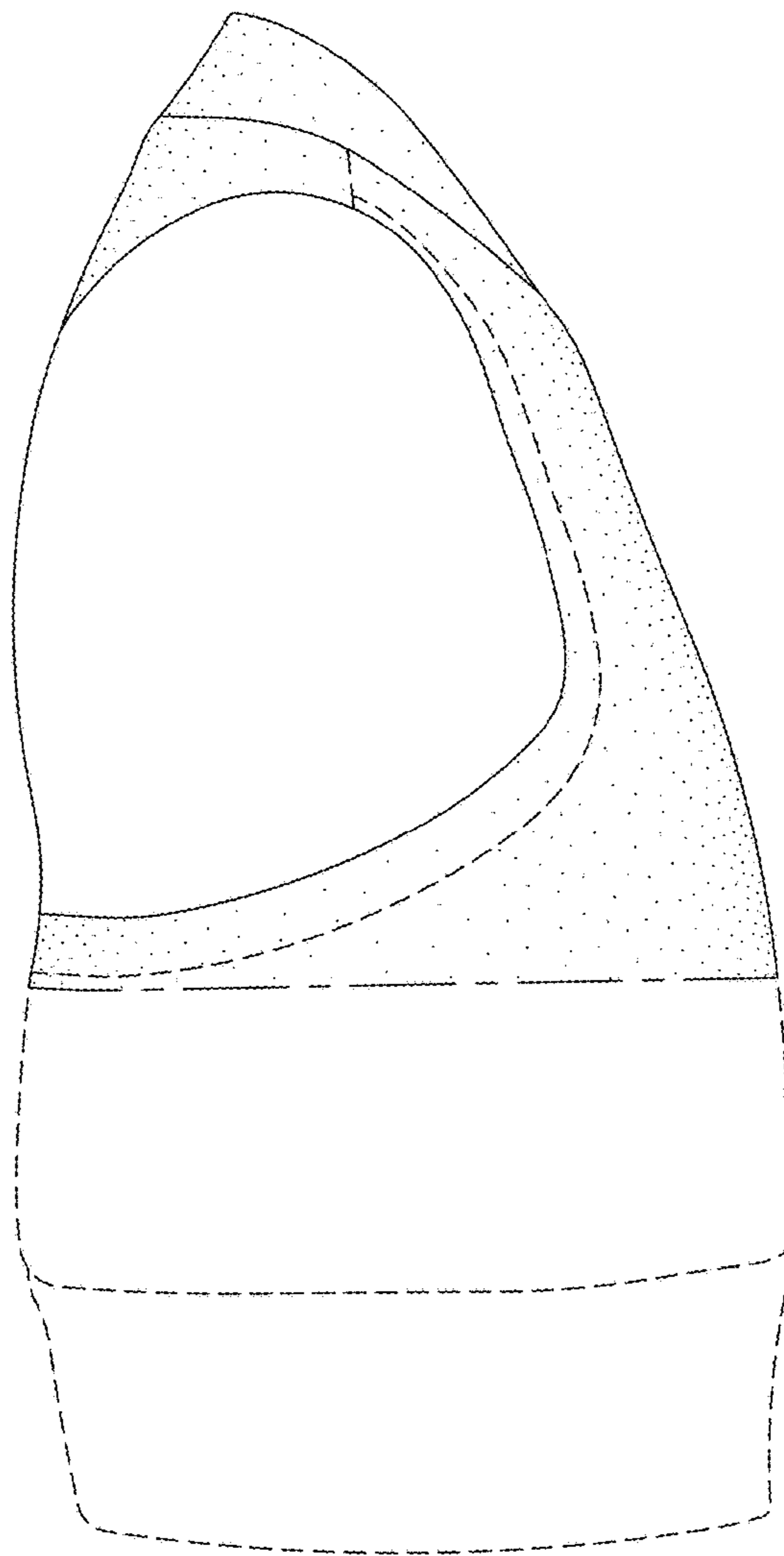


FIG. 5.

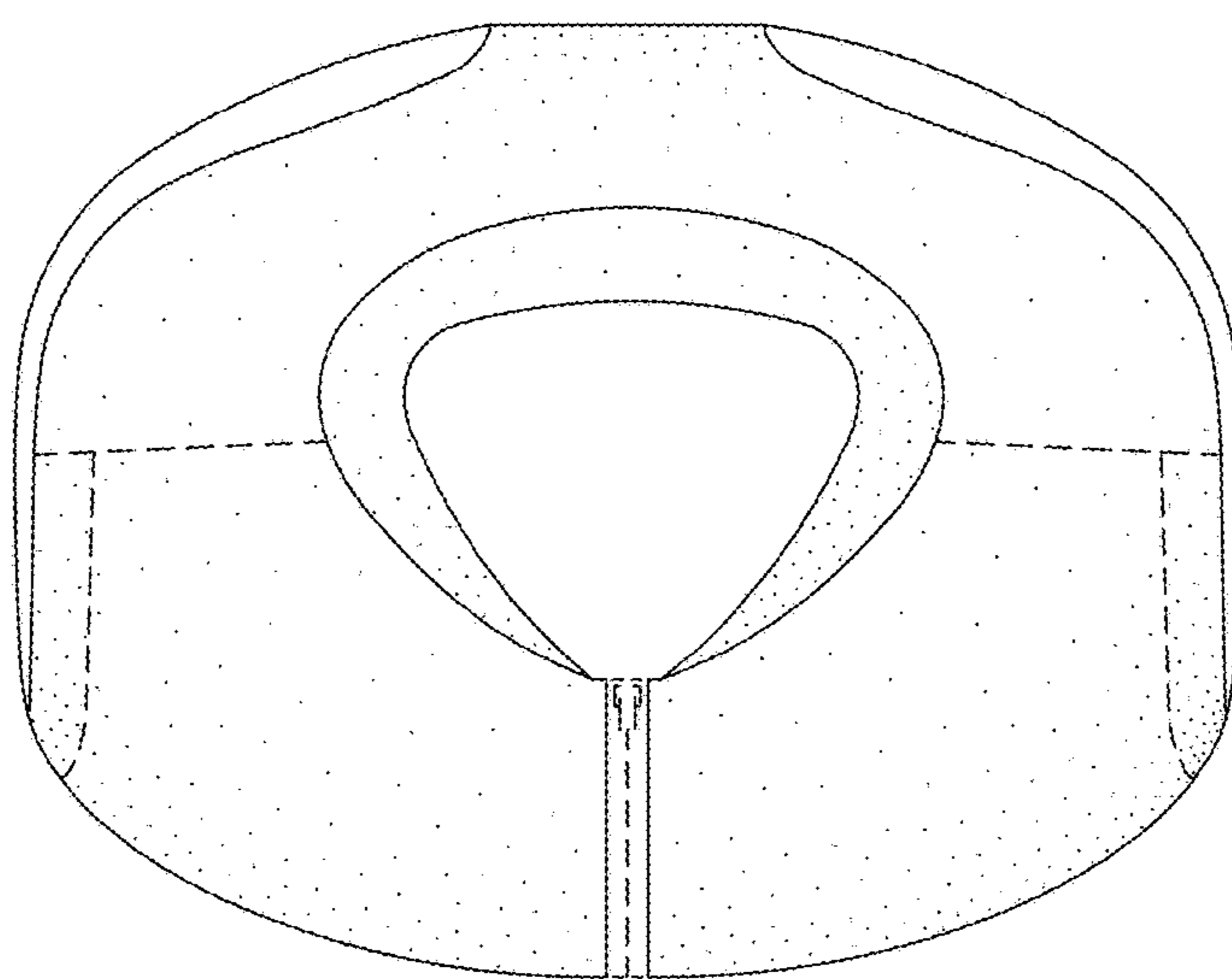


FIG. 6.

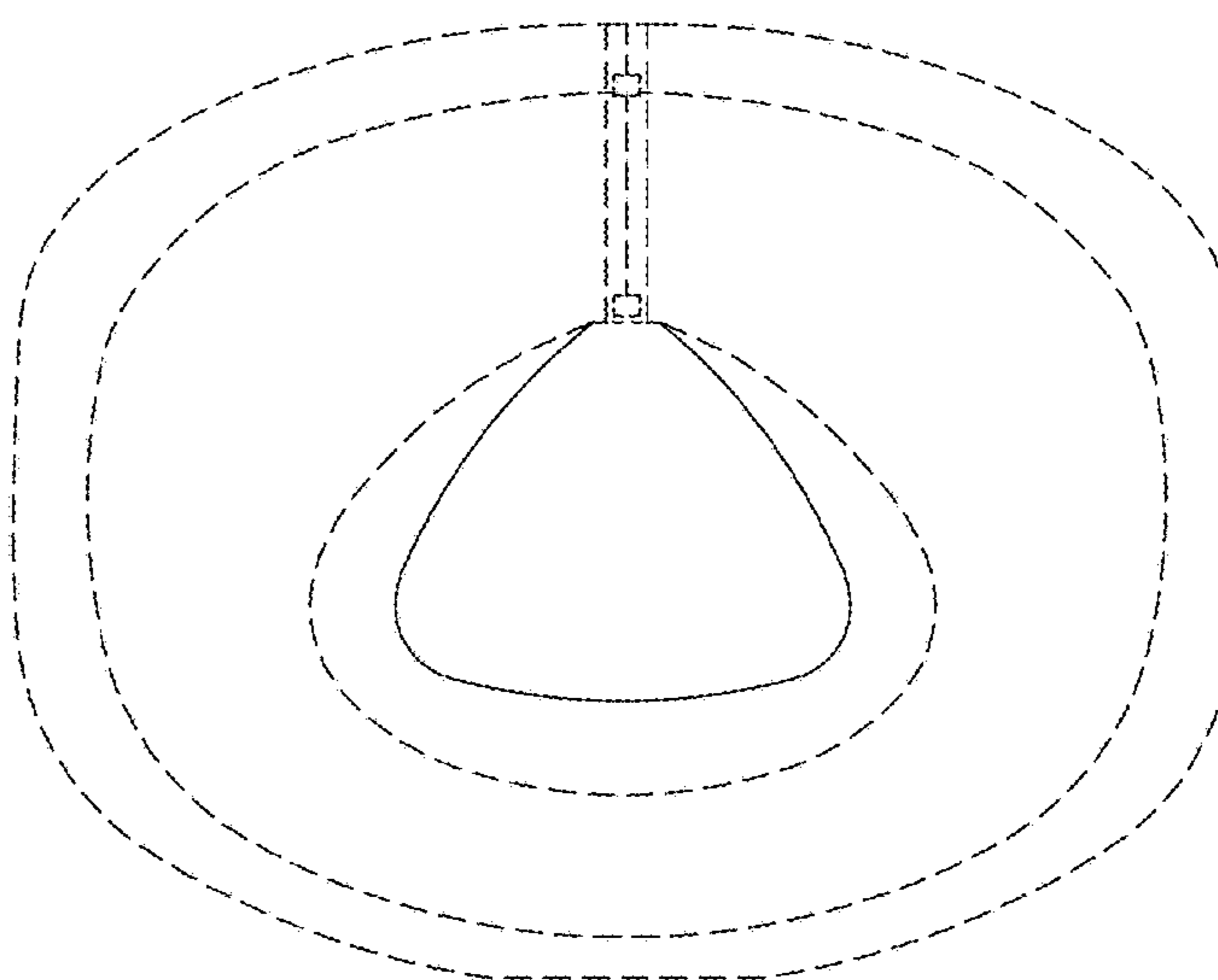


FIG. 7.