



US00D846232S

(12) **United States Design Patent**
Ngangu

(10) **Patent No.:** **US D846,232 S**

(45) **Date of Patent:** **** Apr. 23, 2019**

(54) **UNDERGARMENT WITH ZIPPERED
POCKET**

(71) Applicant: **Victorine D. Ngangu**, Los Angeles, CA
(US)

(72) Inventor: **Victorine D. Ngangu**, Los Angeles, CA
(US)

(**) Term: **15 Years**

(21) Appl. No.: **29/645,502**

(22) Filed: **Apr. 26, 2018**

(51) **LOC (11) Cl.** **02-01**

(52) **U.S. Cl.**
USPC **D2/712**

(58) **Field of Classification Search**
USPC D2/712, 704, 738, 711, 713; 2/400, 406
CPC A41B 9/02; A41D 1/062; A41D 1/065;
A41D 1/067; A41D 1/08; A41D 7/00;
A41D 7/005
See application file for complete search history.

(56) **References Cited**

U.S. PATENT DOCUMENTS

- 2,544,840 A * 3/1951 Kowatsch A41D 7/005
2/252
- D229,454 S * 12/1973 Salisky D2/704
- 5,093,935 A * 3/1992 Countee, Jr. A41B 9/02
2/247
- D339,445 S * 9/1993 Russano D2/712
- 6,092,240 A * 7/2000 Weller A41D 13/1254
2/114

- D632,055 S * 2/2011 Wynn D2/712
- D711,070 S * 8/2014 Lecigne D2/712
- D711,626 S * 8/2014 Savage D2/738
- D759,345 S * 6/2016 Astin D2/712
- D760,995 S * 7/2016 Astin D2/712
- D820,558 S * 6/2018 Warman D2/712

* cited by examiner

Primary Examiner — Robin V Webster

Assistant Examiner — J. Thorn, Sr.

(74) *Attorney, Agent, or Firm* — Inventech Patent
Services, LLC

(57) **CLAIM**

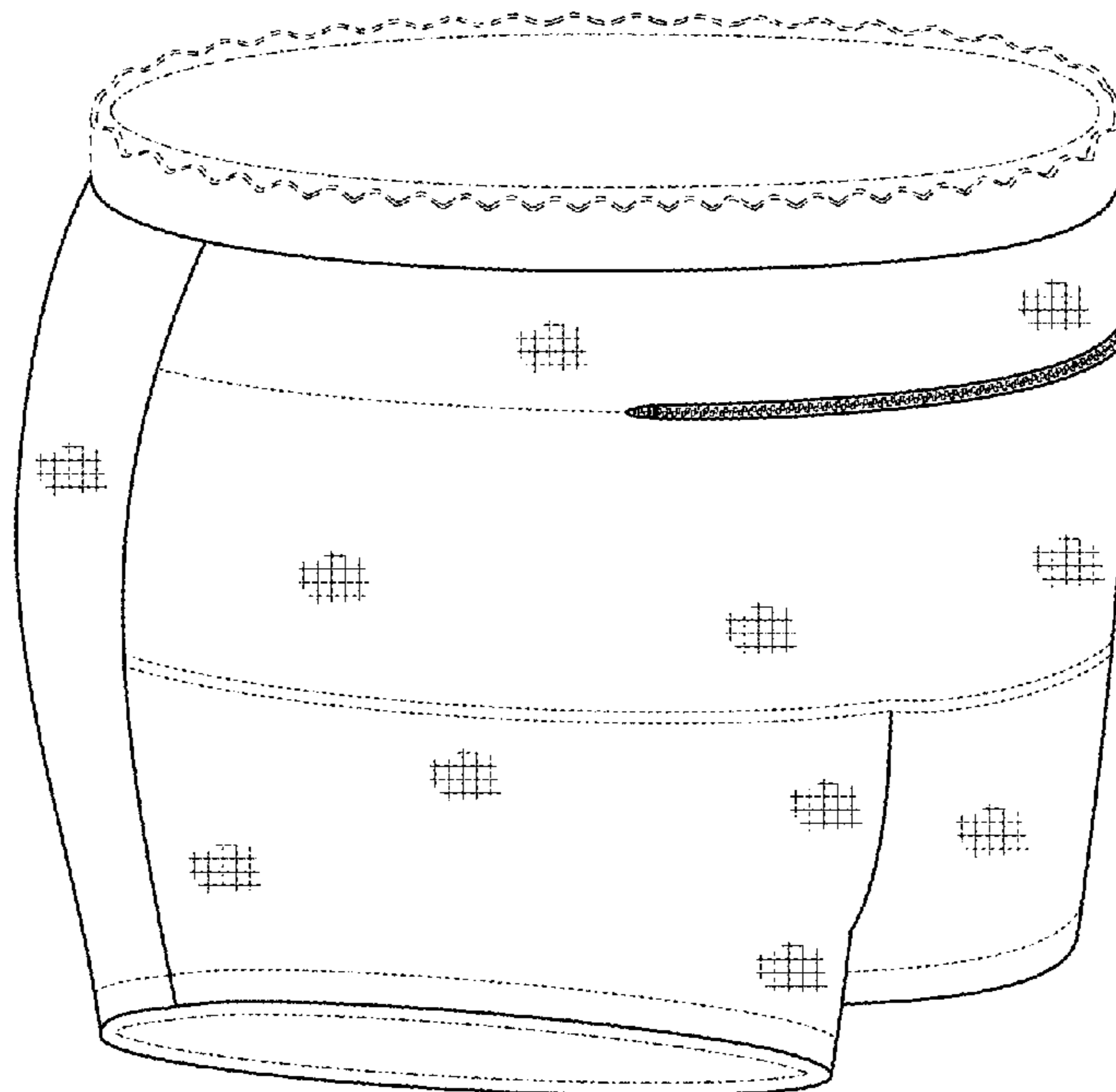
I claim the ornamental design for an undergarment with zippered pocket, as shown and described.

DESCRIPTION

FIG. 1 is a front perspective view of an undergarment with zippered pocket, showing my new design; FIG. 2 is a front elevational view thereof; FIG. 3 is a rear elevational view thereof; FIG. 4 is a first side elevational view thereof; FIG. 5 is a second side elevational view thereof; FIG. 6 is a top plan view thereof; and, FIG. 7 is a bottom plan view thereof.

The uppermost broken lines representing a lace band of the undergarment form no part of the claimed design. The evenly dashed broken lines representing stitching form no part of the claimed design. The areas demarcated by dash-dot boundary lines represent areas forming no part of the claimed design.

1 Claim, 7 Drawing Sheets



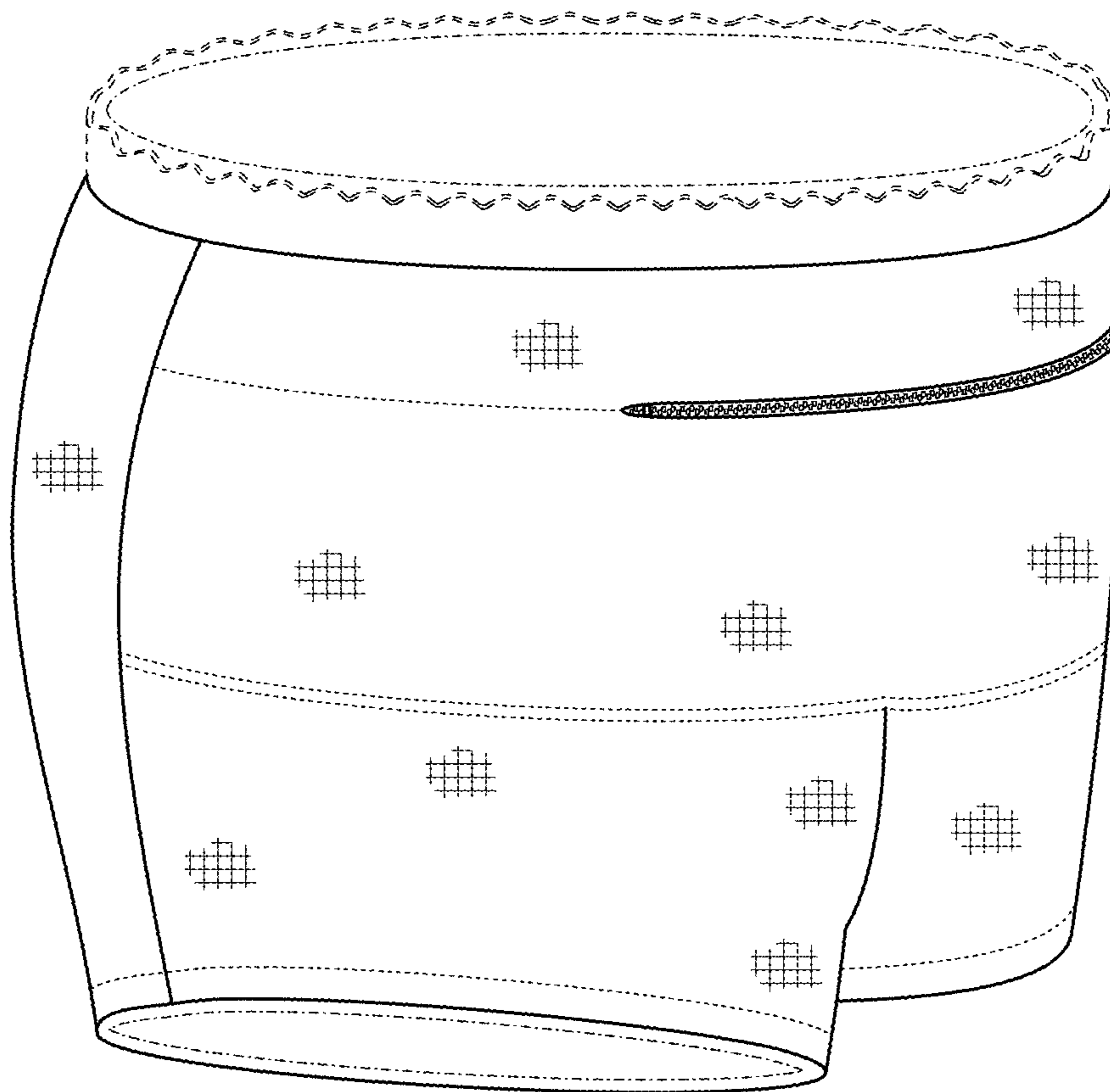


FIG. 1

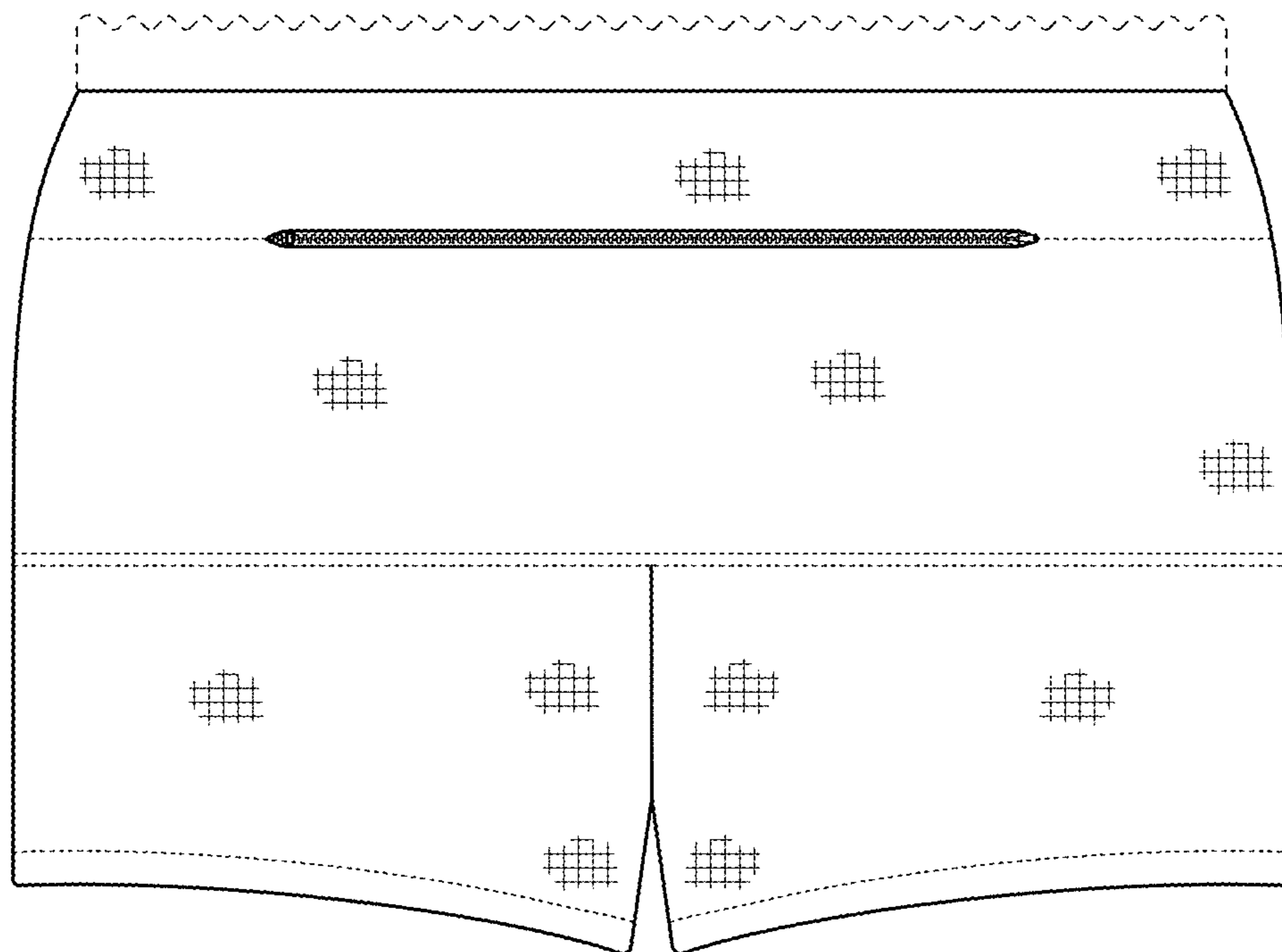


FIG. 2

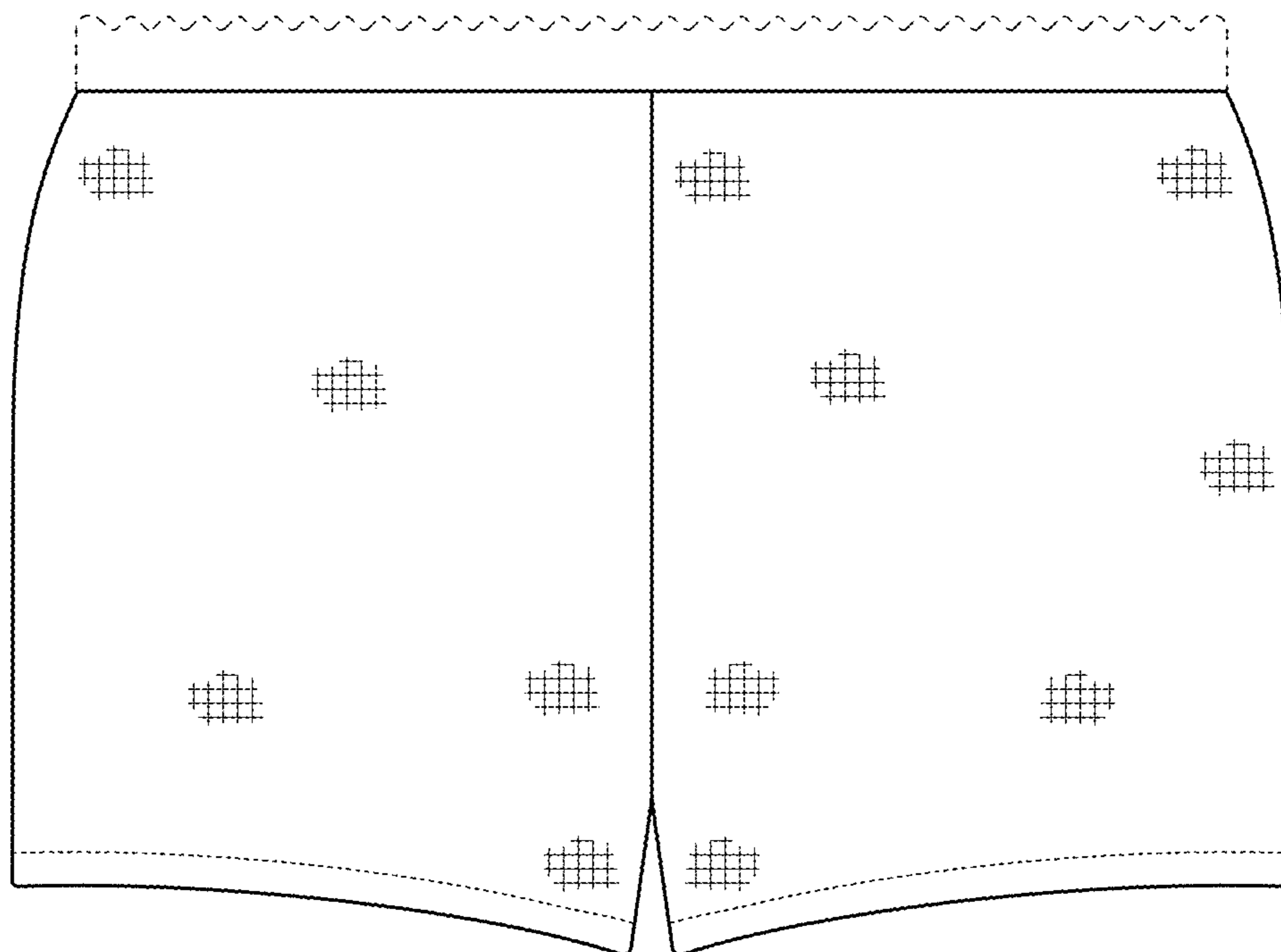


FIG. 3

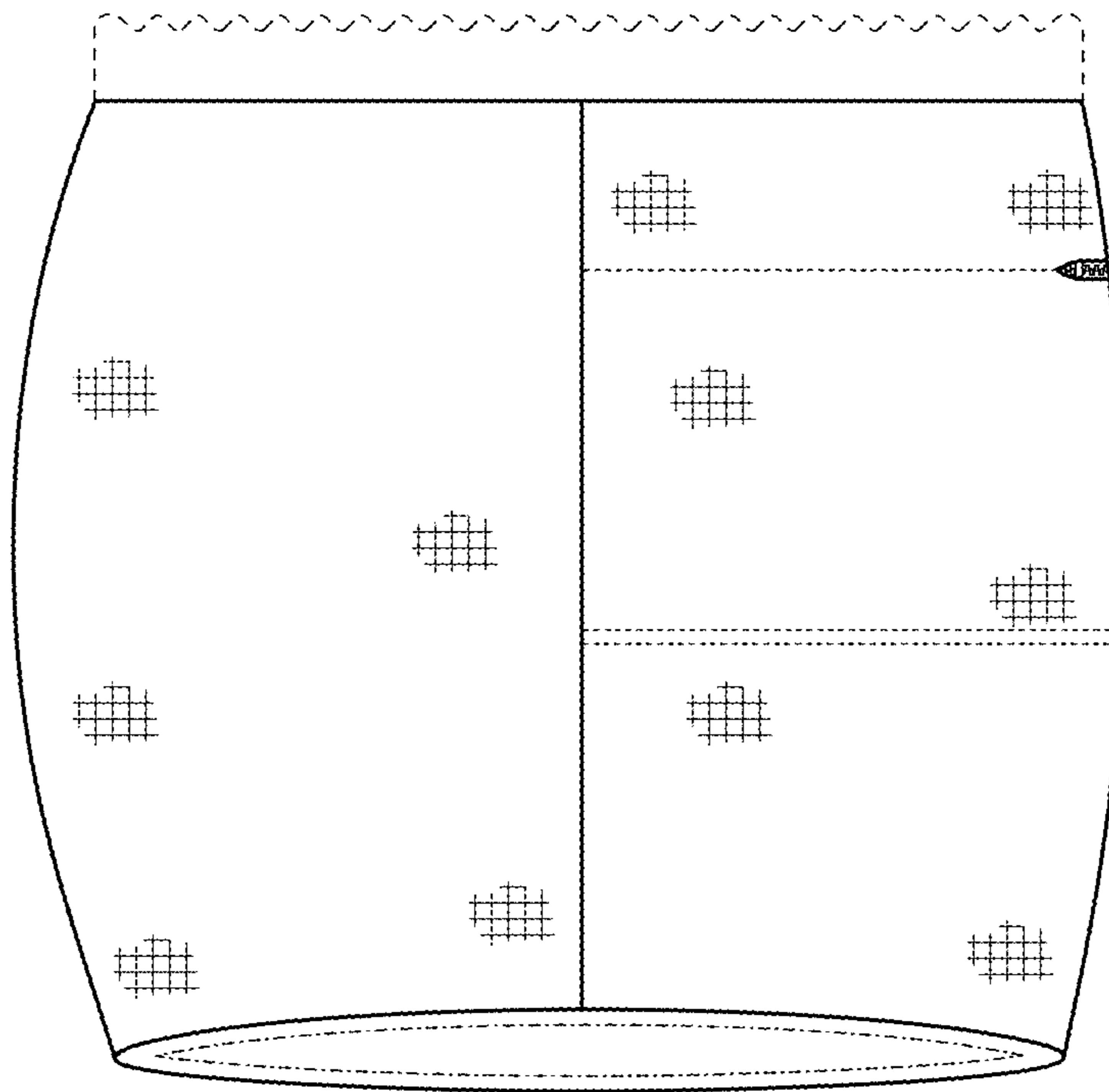


FIG. 4

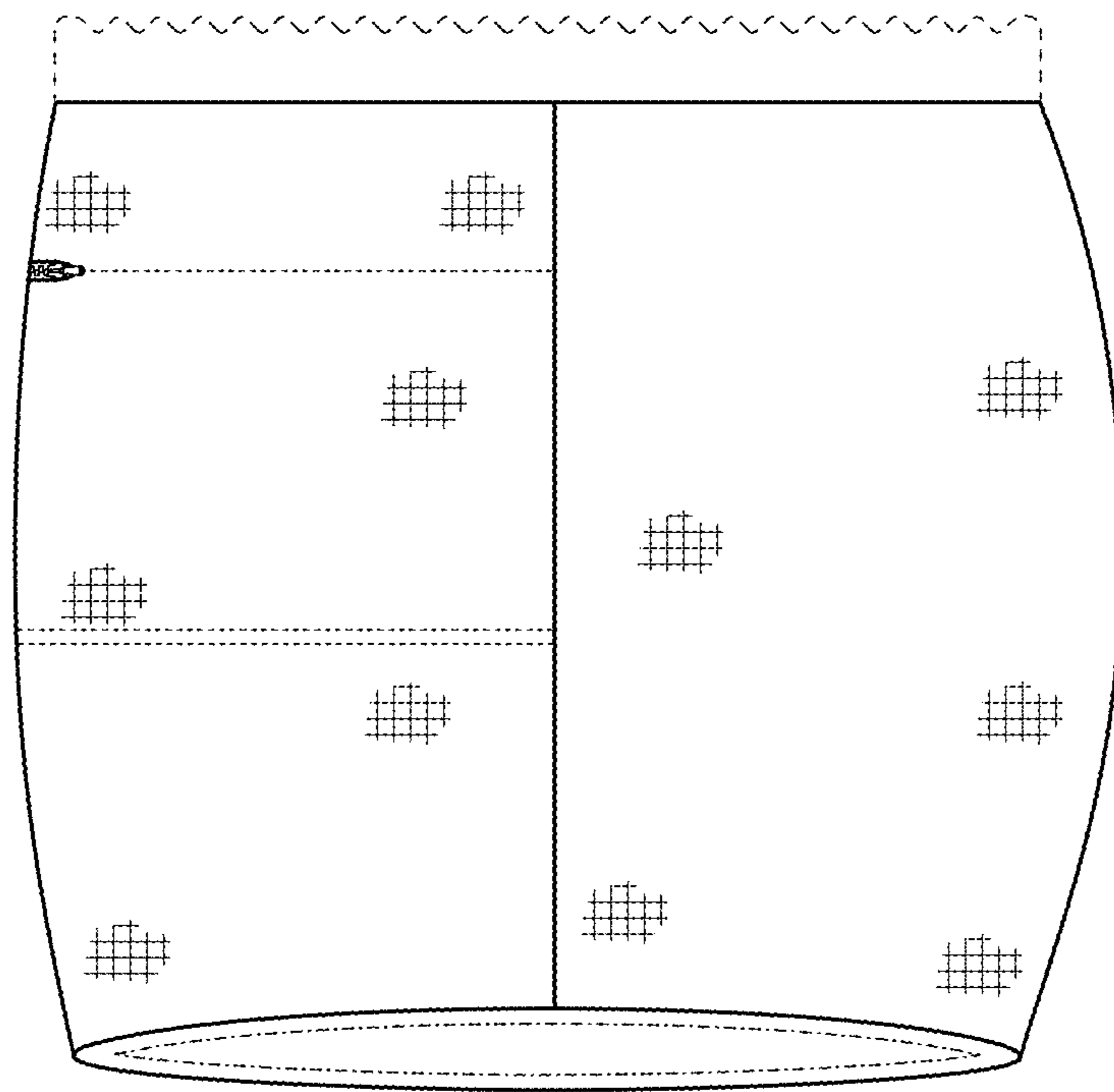


FIG. 5

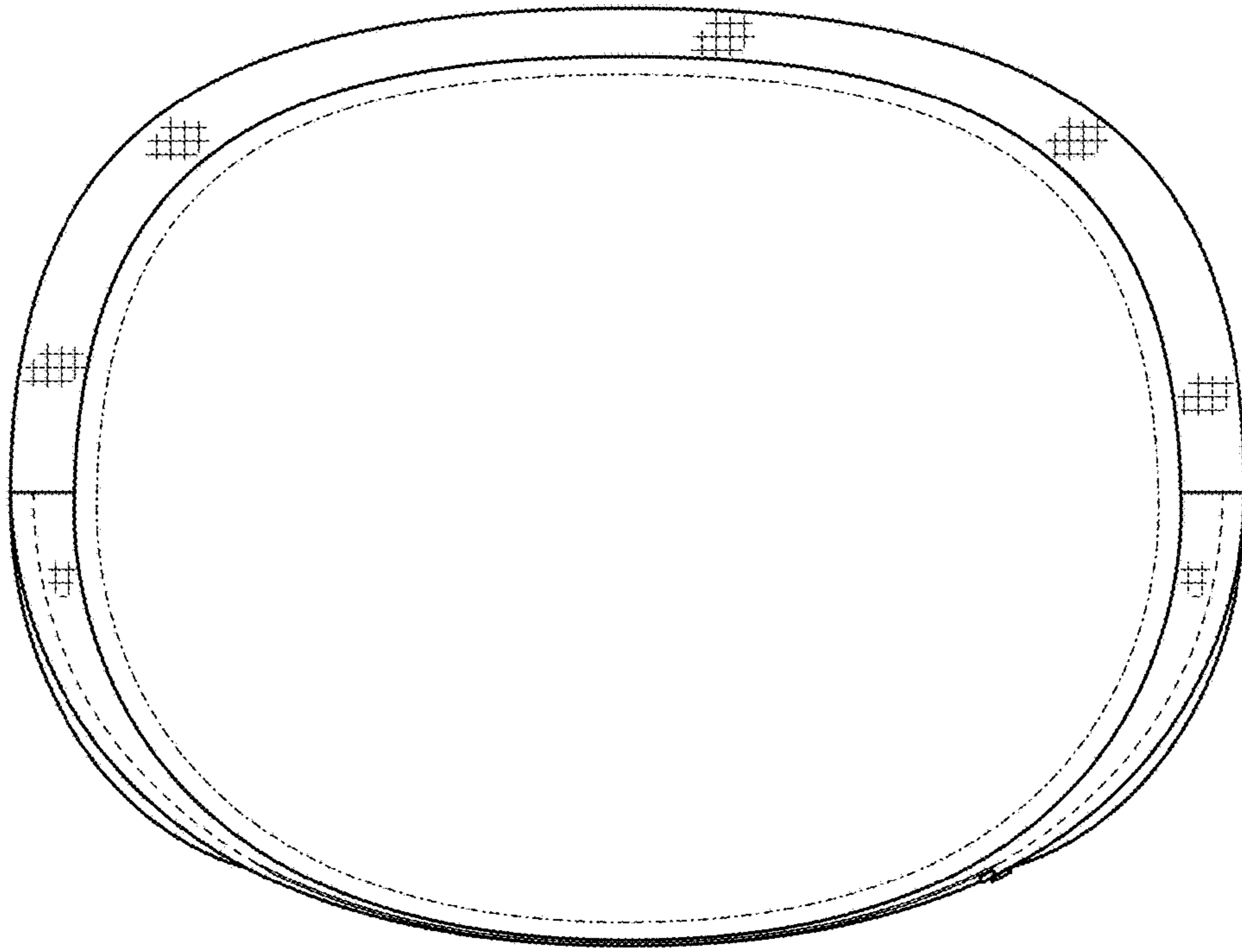


FIG. 6

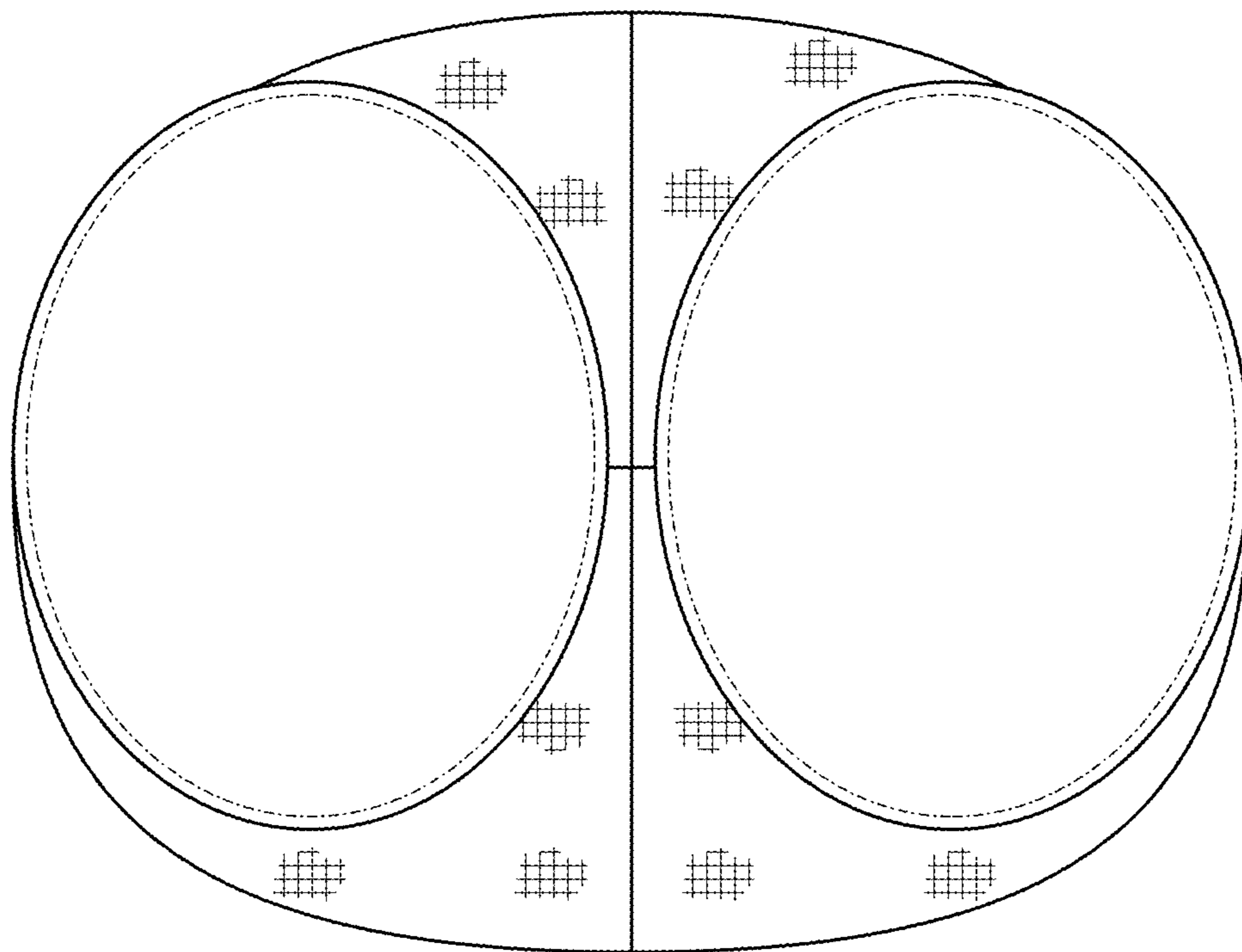


FIG. 7