



US00D846228S

(12) **United States Design Patent**
Singh

(10) **Patent No.:** **US D846,228 S**

(45) **Date of Patent:** **** Apr. 16, 2019**

- (54) **MEMORIAL BLOCK WITH A BASE**
- (71) Applicant: **Noddy Singh**, Hicksville, NY (US)
- (72) Inventor: **Noddy Singh**, Hicksville, NY (US)
- (**) Term: **15 Years**
- (21) Appl. No.: **29/586,316**
- (22) Filed: **Dec. 2, 2016**
- (51) **LOC (11) Cl.** **99-00**
- (52) **U.S. Cl.**
USPC **D99/17**
- (58) **Field of Classification Search**
USPC D99/5, 17, 3; 27/1; 52/103, 104;
40/124.5, 661, 720; D6/661.2, 300, 301;
312/140.3, 140.4, 114; D30/101;
D19/113; 428/13; D11/157; D20/10
CPC A61G 17/08; A61G 17/00
See application file for complete search history.

3,440,788 A *	4/1969	Merget	E04C 1/40
				52/309.15
3,533,180 A *	10/1970	Kalina	E04H 13/00
				40/124.5
3,726,052 A *	4/1973	Thompson	E04H 13/003
				52/103
4,058,940 A *	11/1977	McBrayer	E04H 13/003
				52/104
D303,033 S *	8/1989	Powell	D99/17
D333,747 S *	3/1993	Uchyn	D6/661.2
D374,962 S *	10/1996	Allen	D99/5
5,595,029 A *	1/1997	Revoir	E04H 13/003
				40/124.5
D436,758 S *	1/2001	Rodrigues	6/661
D463,758 S *	10/2002	Meadows	D12/91
D830,663 S *	10/2018	Singh	D99/17
D835,379 S *	12/2018	Singh	D99/17

* cited by examiner

Primary Examiner — Paula Allen Greene
(74) *Attorney, Agent, or Firm* — Scully, Scott, Murphy & Presser, P.C.

(57) **CLAIM**

The ornamental design for a memorial block with a base, as shown and described.

DESCRIPTION

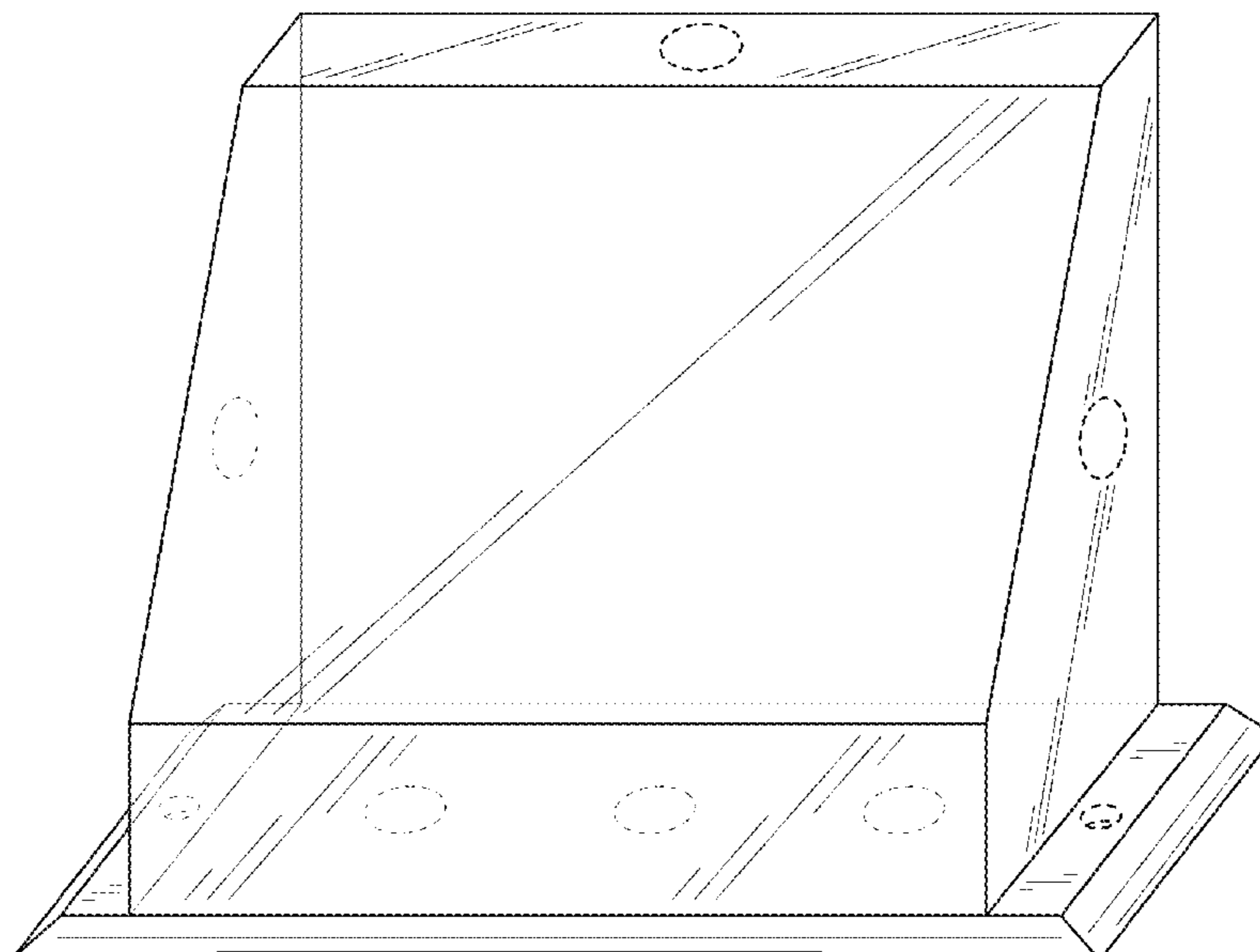
FIG. 1 is a perspective view of the memorial block with a base showing an embodiment of my new and ornamental design;
FIG. 2 is a front view thereof;
FIG. 3 is a rear side view thereof;
FIG. 4 is a left side view thereof;
FIG. 5 is a right side view thereof;
FIG. 6 is a top side view thereof; and,
FIG. 7 is a bottom view thereof.

1 Claim, 7 Drawing Sheets

(56) **References Cited**

U.S. PATENT DOCUMENTS

D3,566 S *	6/1869	Winter	D6/661.2
214,339 A *	4/1879	Wimer	52/104
D47,664 S *	8/1915	Garland	D6/661.2
2,120,082 A *	6/1938	Anderson	E04H 13/00
				312/284
2,124,143 A *	7/1938	Long	E04H 13/00
				40/124.5
D122,656 S *	9/1940	Adams	40/124.5
2,358,009 A *	9/1944	Hogsten	E04H 13/00
				40/124.5
2,774,162 A *	12/1956	Porter	E04H 13/003
				40/124.5
D191,248 S *	8/1961	Gialorets	40/124.5



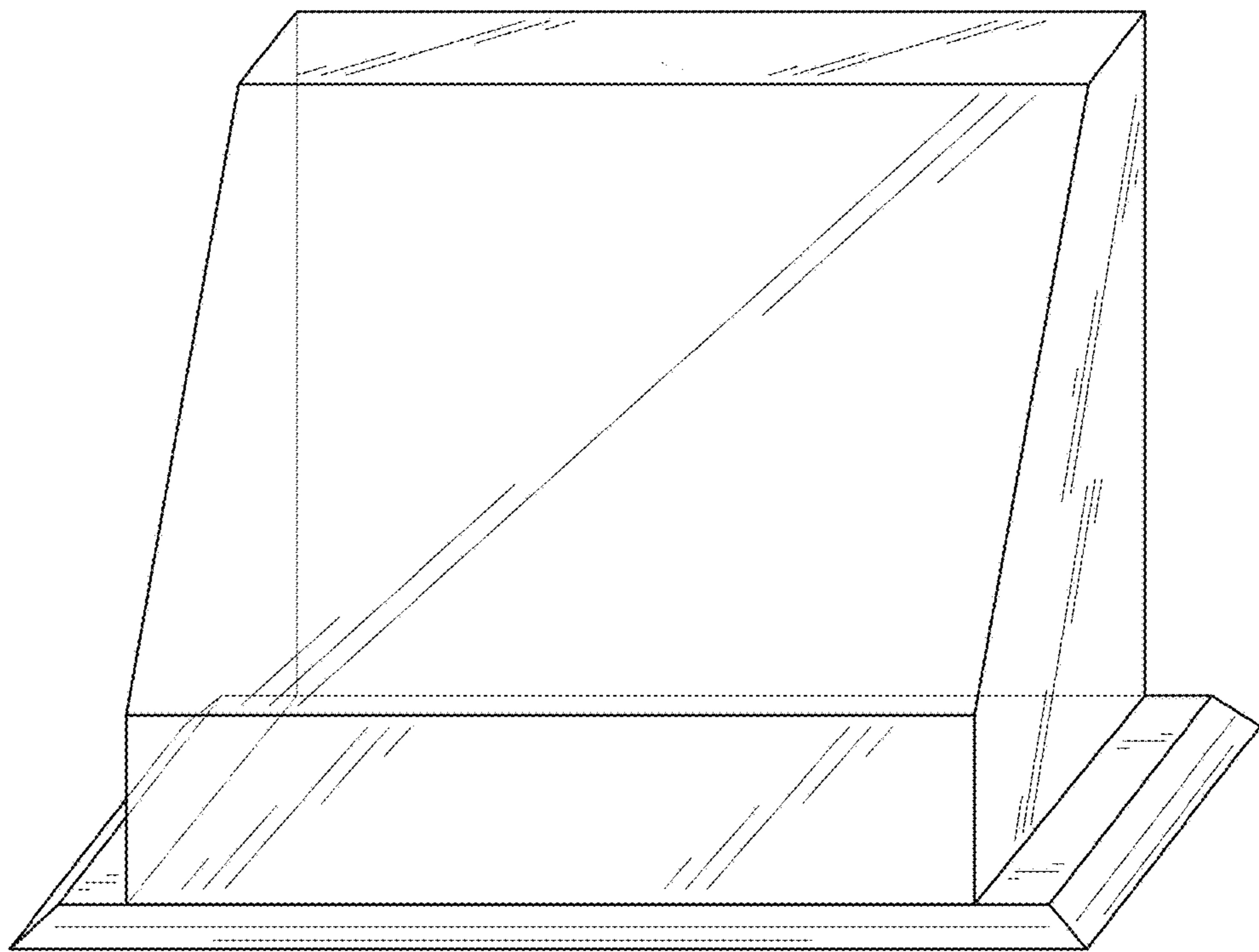


FIG. 1

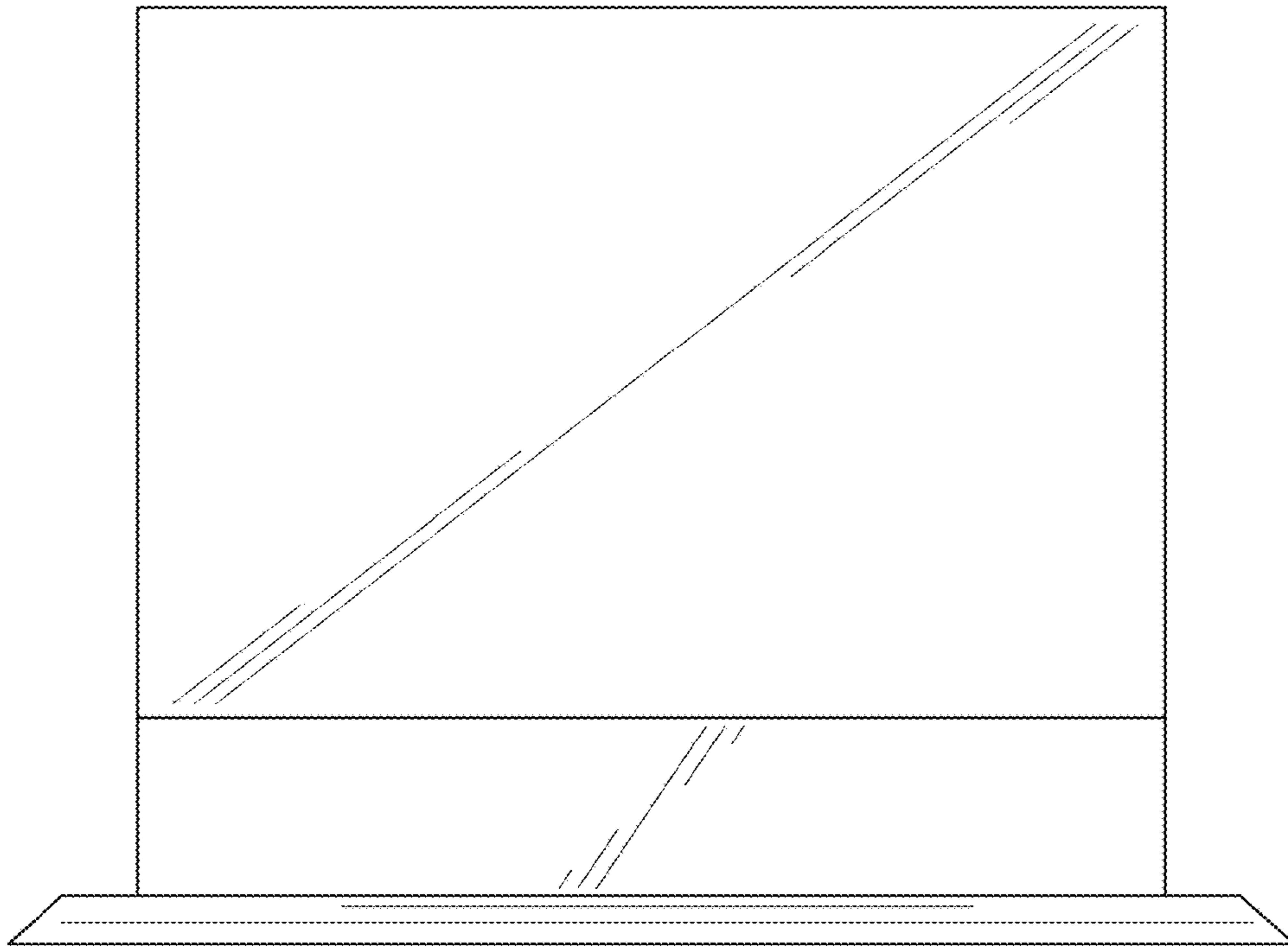


FIG. 2

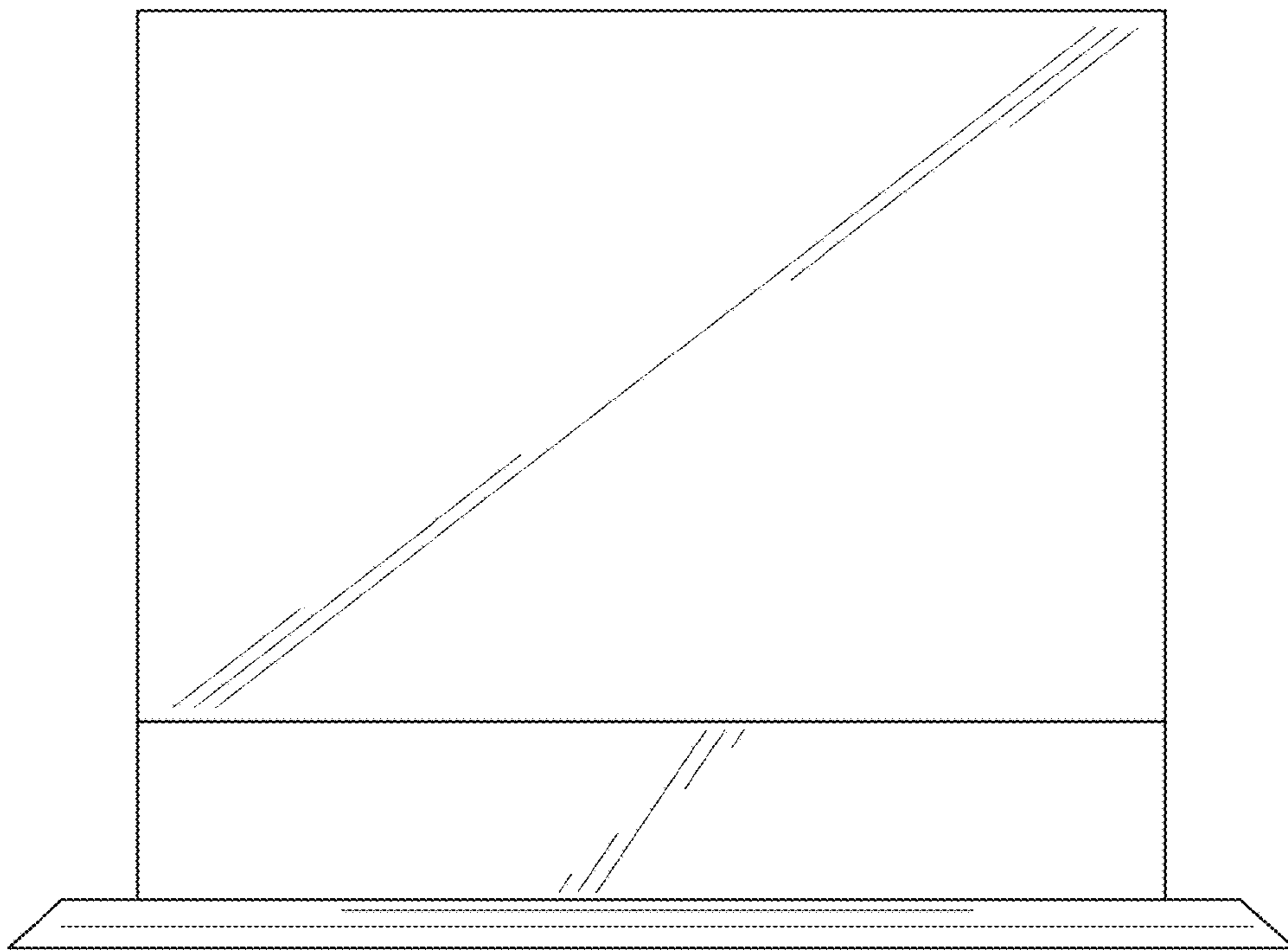


FIG. 3

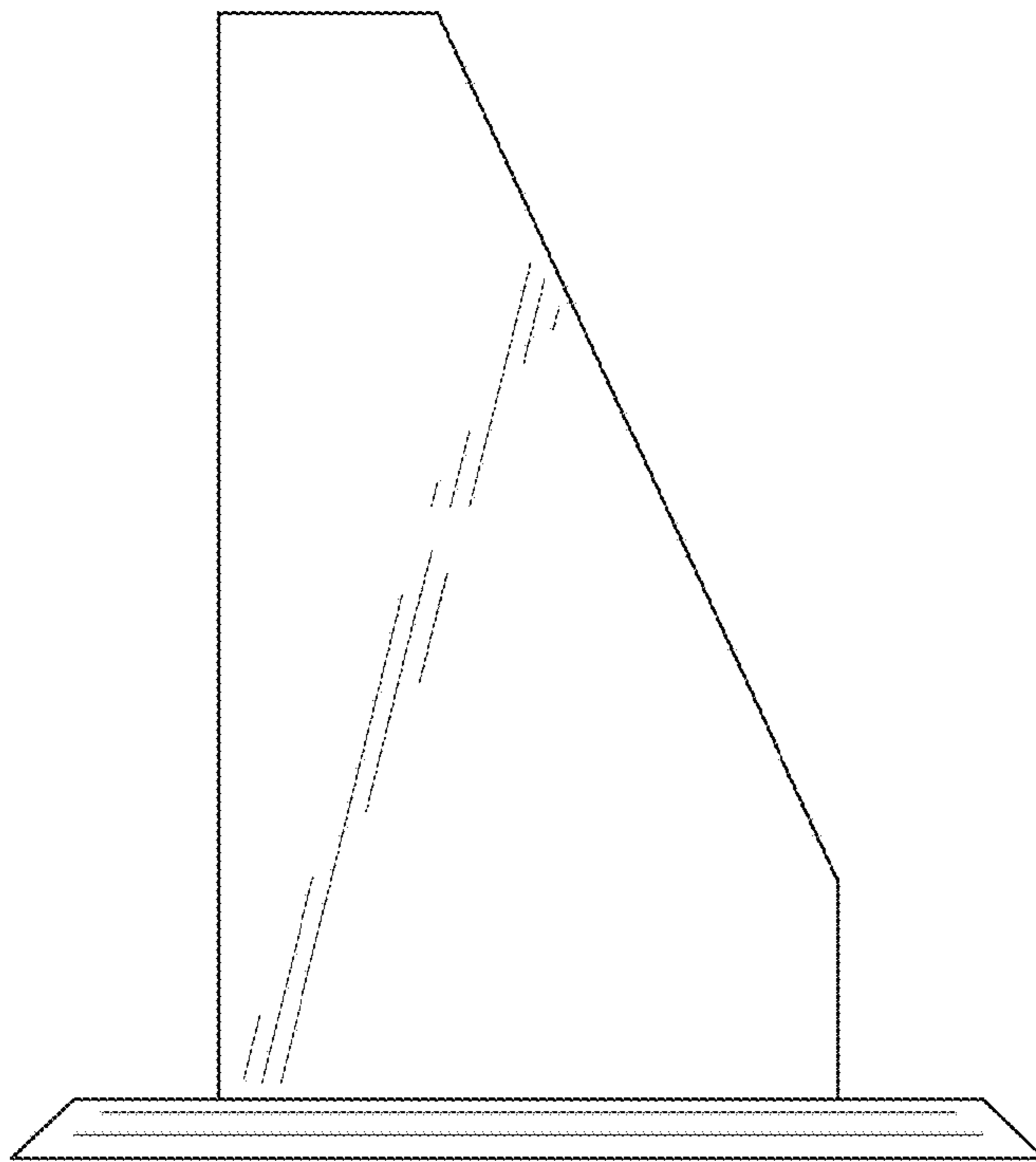


FIG. 4

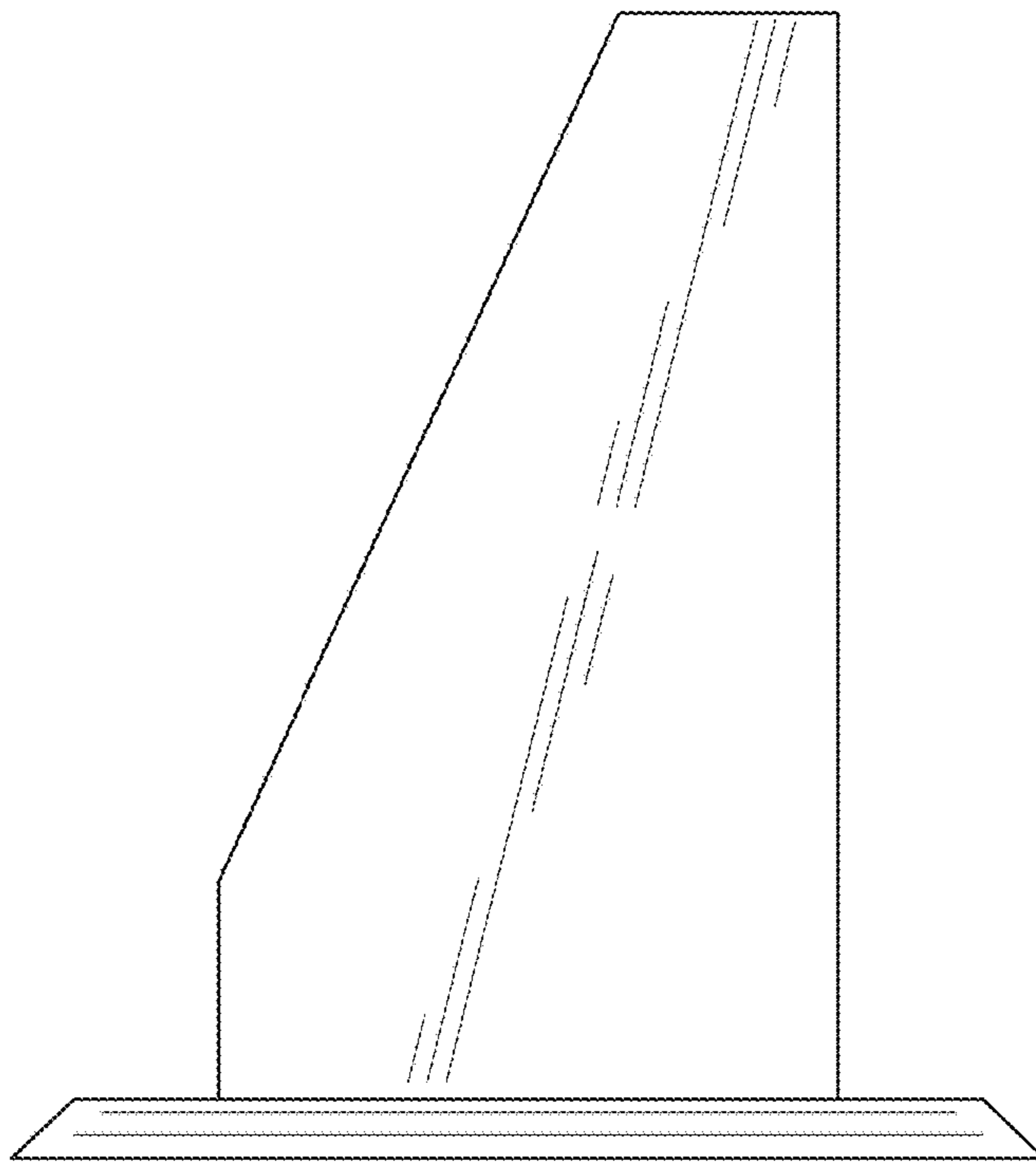


FIG. 5

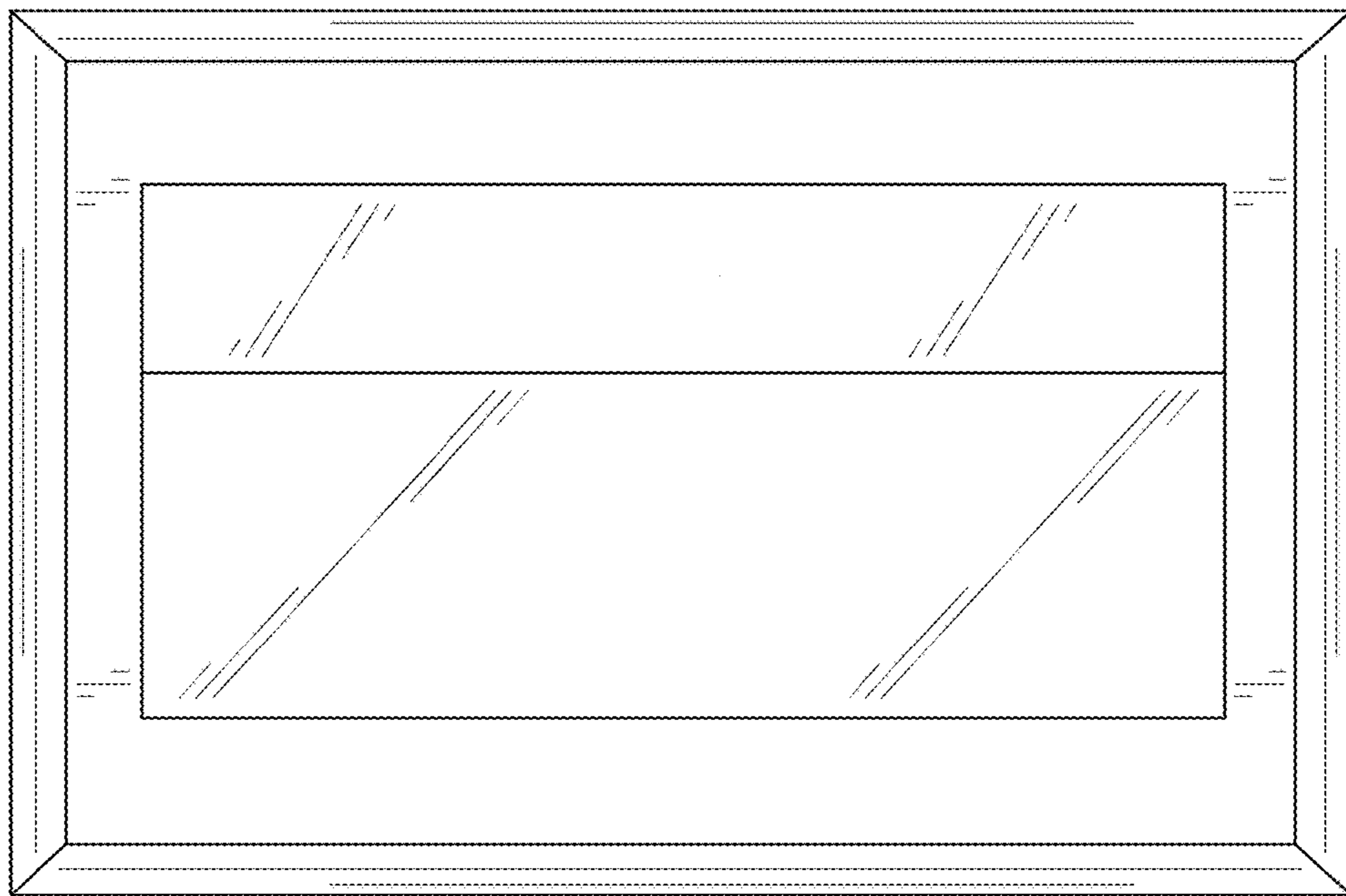


FIG. 6

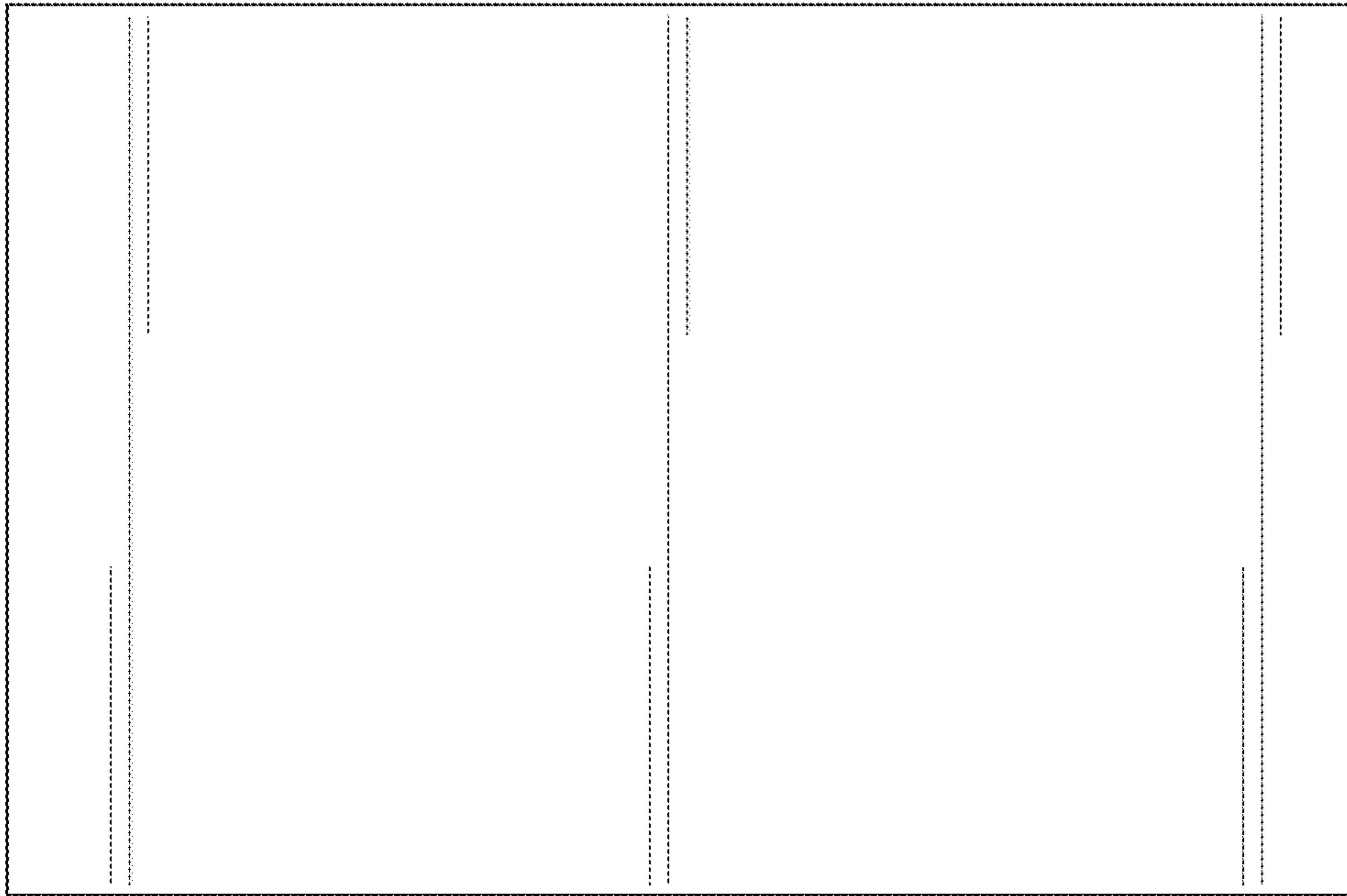


FIG. 7