



US00D846227S

(12) **United States Design Patent**
Singh

(10) **Patent No.:** **US D846,227 S**

(45) **Date of Patent:** **** Apr. 16, 2019**

- (54) **MEMORIAL BLOCK WITH A BASE**
- (71) Applicant: **Noddy Singh**, Hicksville, NY (US)
- (72) Inventor: **Noddy Singh**, Hicksville, NY (US)
- (**) Term: **15 Years**
- (21) Appl. No.: **29/586,308**
- (22) Filed: **Dec. 2, 2016**
- (51) **LOC (11) Cl.** **25-03**
- (52) **U.S. Cl.**
USPC **D99/17**
- (58) **Field of Classification Search**
USPC D99/5, 17, 3; 27/1; 52/103, 104;
40/124.5, 661; D6/661.2, 300, 301;
312/140.3, 140.2; D30/101; D19/113;
119/261; 428/13
CPC A61G 17/08; A61G 17/00; A01K 63/045;
A47F 3/12
See application file for complete search history.

(56) **References Cited**

U.S. PATENT DOCUMENTS

- 748,284 A * 12/1908 Karwowski 27/22.1
- D45,718 S * 5/1914 Karpeles D6/661.2
- 1,898,939 A * 2/1933 Cohen A61G 17/02
27/1
- 2,023,260 A * 12/1935 Beers A47F 3/12
312/114
- 2,491,853 A * 12/1949 Feldman A01K 63/045
119/261
- 2,548,706 A * 4/1951 Corning G09F 23/08
220/377
- 3,440,788 A * 4/1969 Merget E04C 1/40
52/309.15
- 3,488,818 A * 1/1970 Orr A61G 17/007
27/19
- 3,533,180 A * 10/1970 Kalina E04H 13/00
40/124.5

- 3,561,146 A * 2/1971 Dembar A47G 1/14
40/661
- 3,596,391 A * 8/1971 Knight, Jr. A63H 33/04
40/720
- 3,618,238 A * 11/1971 Willinger G09F 3/203
110/175 R
- 3,651,975 A * 3/1972 Callan A01K 63/003
119/269
- 3,658,413 A * 4/1972 Cornell G02B 27/022
40/720
- 3,703,045 A * 11/1972 Nyman A47G 1/14
40/720
- 3,716,936 A * 2/1973 Miller A47G 1/14
40/720
- 3,726,052 A * 4/1973 Thompson E04H 13/003
52/103
- D227,001 S * 5/1973 Dembar D6/301
- D234,087 S * 1/1975 Johnson D30/101
- D238,688 S * 2/1976 Shalom D30/101

(Continued)

Primary Examiner — Paula Allen Greene

(74) *Attorney, Agent, or Firm* — Scully, Scott, Murphy & Presser, P.C.

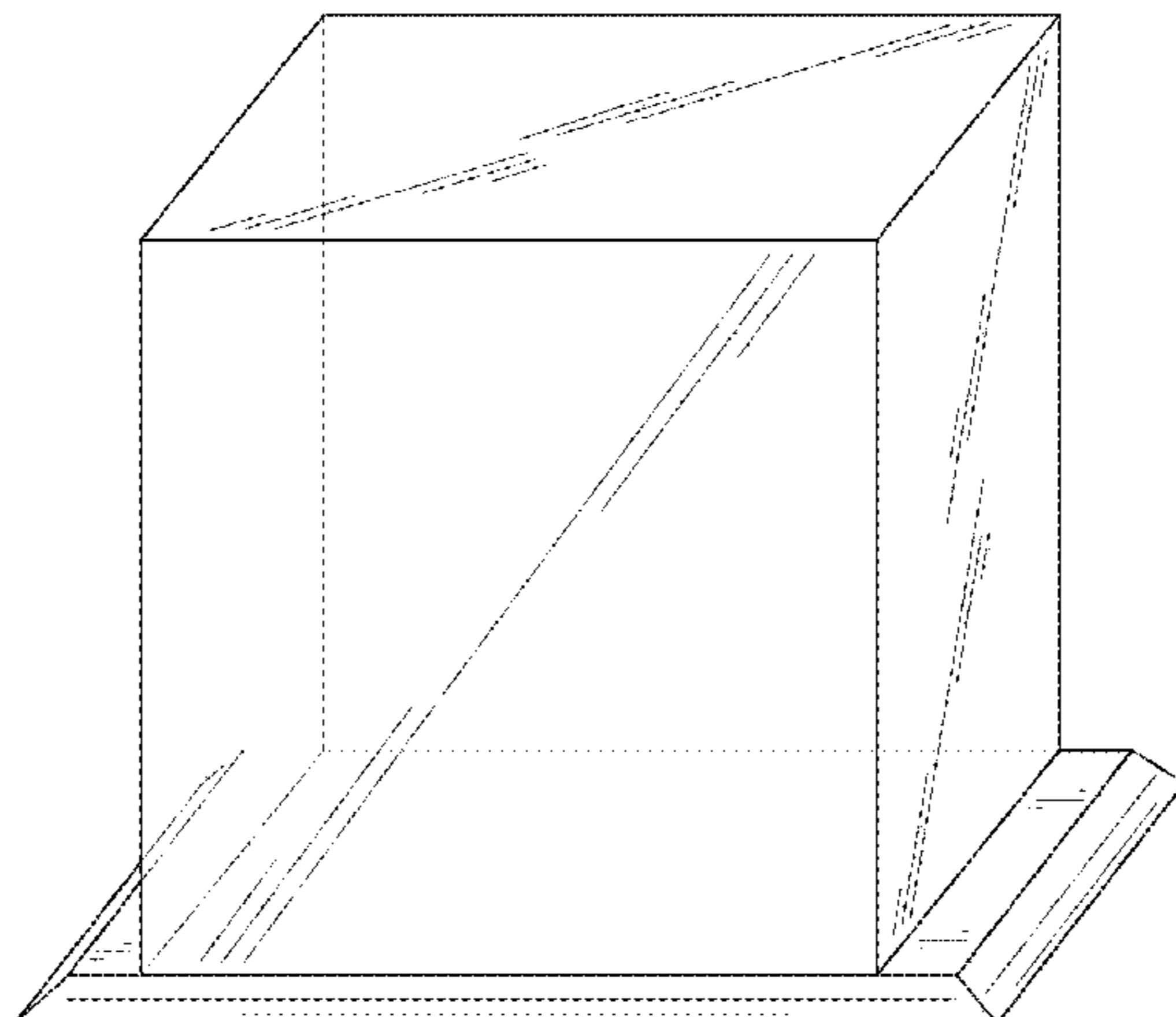
(57) **CLAIM**

The ornamental design for a memorial block with a base, as shown and described.

DESCRIPTION

FIG. 1 is a perspective view of the memorial block with a base showing an embodiment of my new and ornamental design;
 FIG. 2 is a front view thereof;
 FIG. 3 is a rear side view thereof;
 FIG. 4 is a left side view thereof;
 FIG. 5 is a right side view thereof;
 FIG. 6 is a top side view thereof; and,
 FIG. 7 is a bottom view thereof.
 The portions indicated in broken lines are for illustrative purposes only and form no part of the claimed design.

1 Claim, 7 Drawing Sheets



(56)

References Cited

U.S. PATENT DOCUMENTS

4,180,930 A * 1/1980 DiMatteo B44F 1/06
40/661

4,195,729 A * 4/1980 Macken A47G 1/14
206/216

4,553,680 A * 11/1985 Griggs A47F 3/005
220/4.33

4,967,694 A * 11/1990 Waldman A01K 63/006
119/246

5,230,127 A * 7/1993 Zukowski A61G 17/007
220/327

5,558,416 A * 9/1996 Dumitru A47F 3/12
16/82

D395,123 S * 6/1998 Barretto D9/432

5,774,958 A * 7/1998 Casimir A61G 17/007
27/1

D449,525 S * 10/2001 Sturgess D9/432

D451,684 S * 12/2001 Vincent D6/301

D463,949 S * 10/2002 Pai D7/334

D498,502 S * 11/2004 Duke D20/10

D622,959 S * 9/2010 Zalewski D3/273

D748,362 S * 1/2016 Beeler D99/5

D748,363 S * 1/2016 Hackett D99/5

D830,663 S * 10/2018 Singh D99/17

D835,379 S * 12/2018 Singh D99/17

2014/0250645 A1 * 9/2014 Bailey A61G 17/08
27/1

2015/0013124 A1 * 1/2015 Bailey A61G 17/007
27/1

* cited by examiner

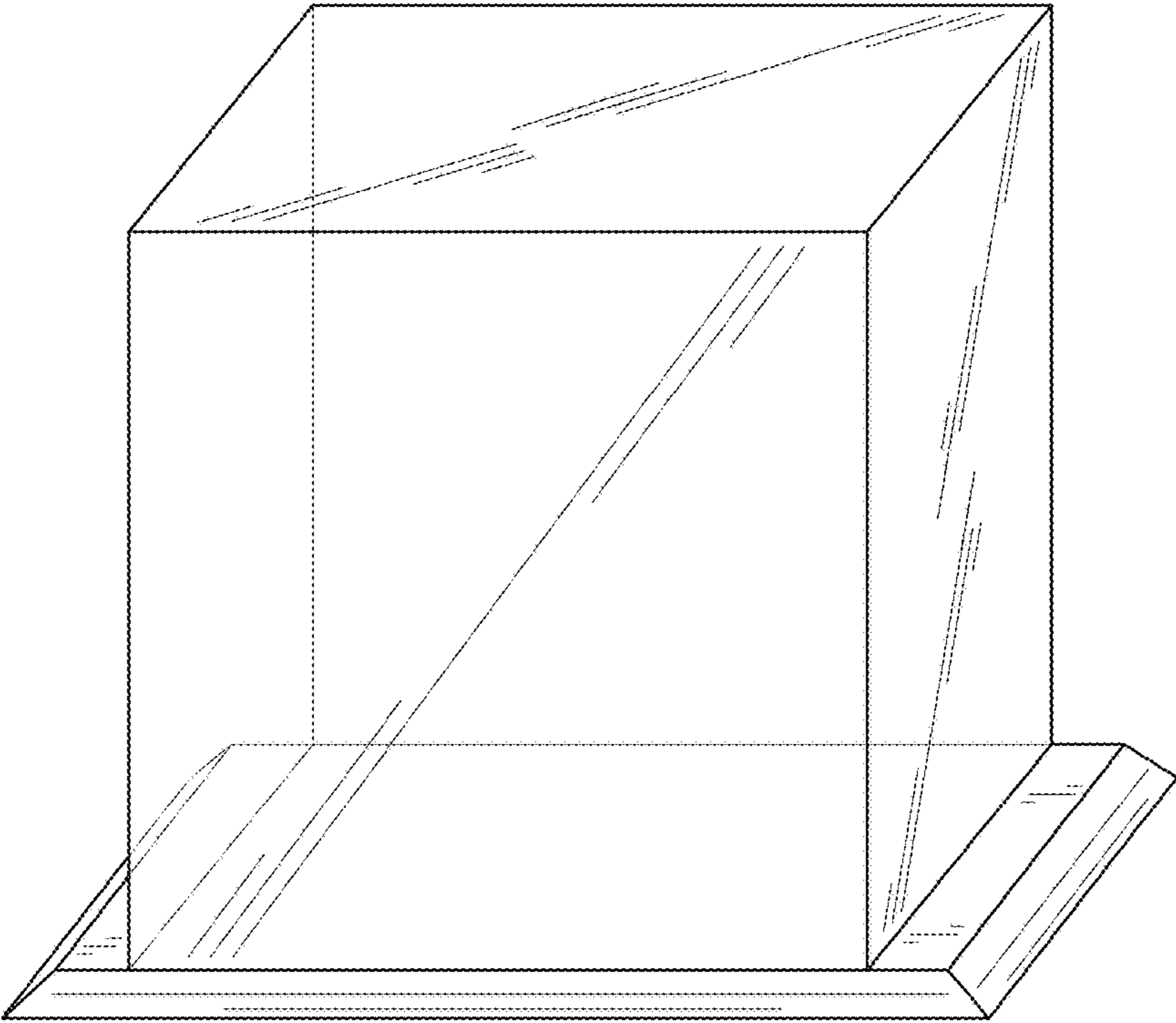


FIG. 1

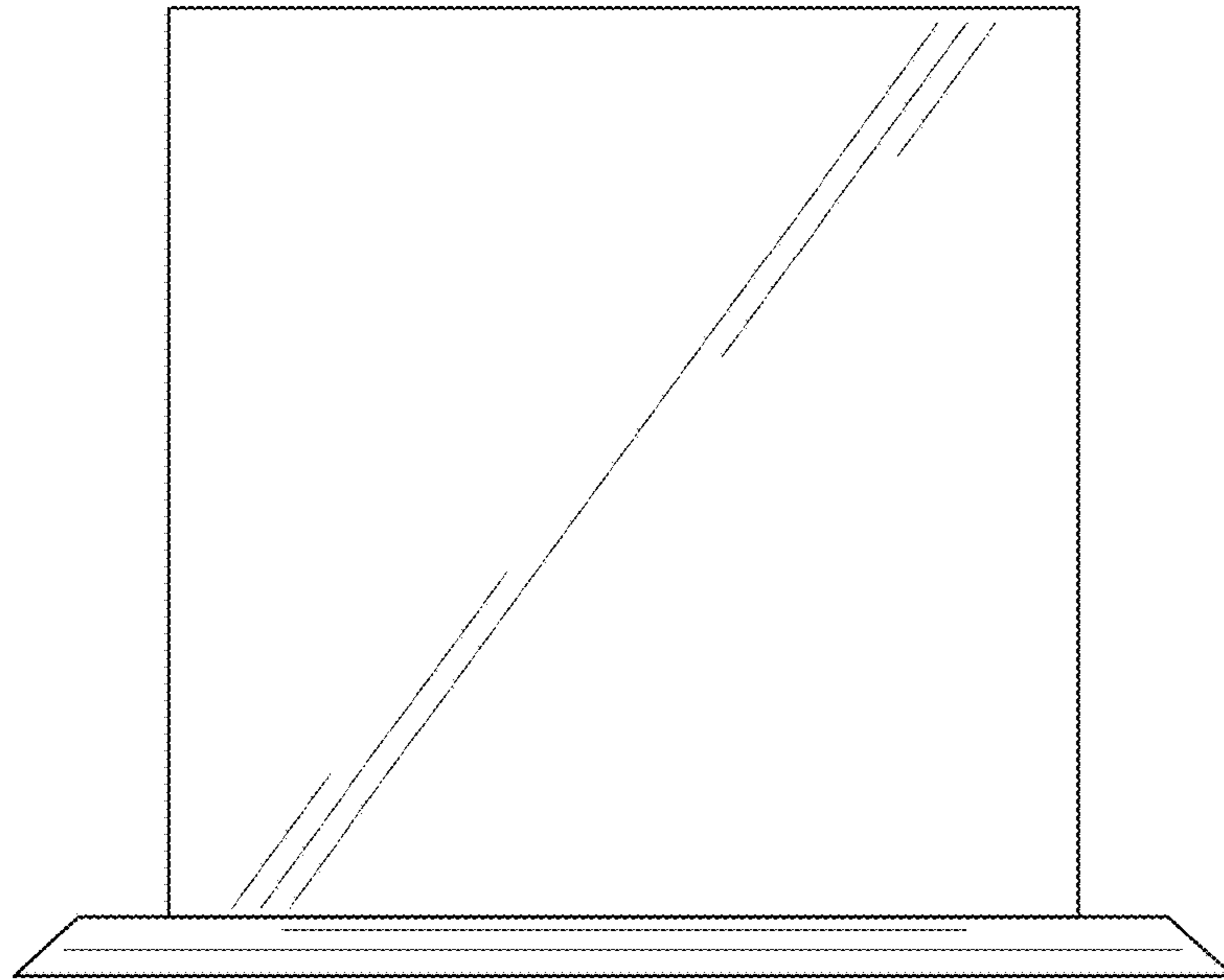


FIG. 2

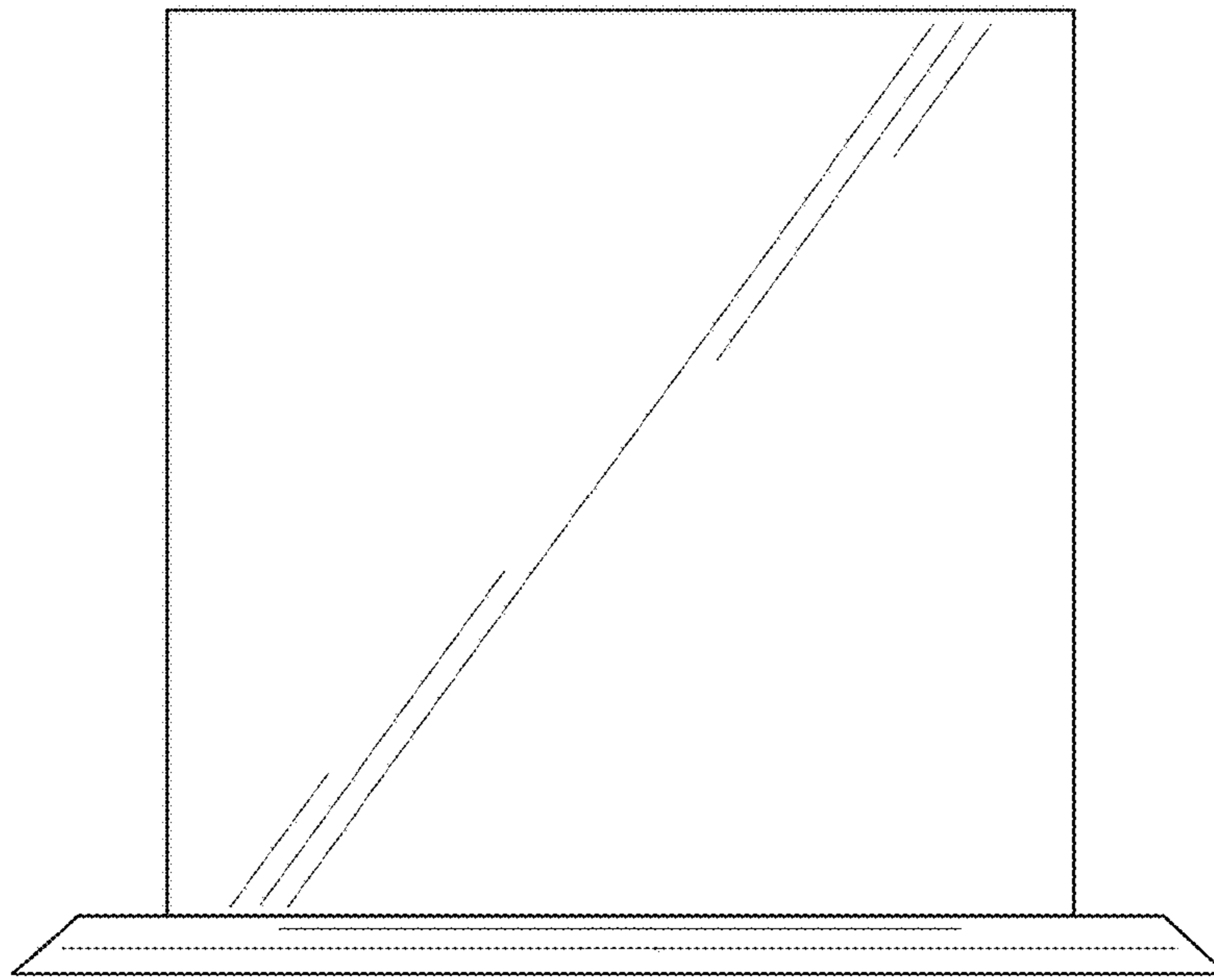


FIG. 3

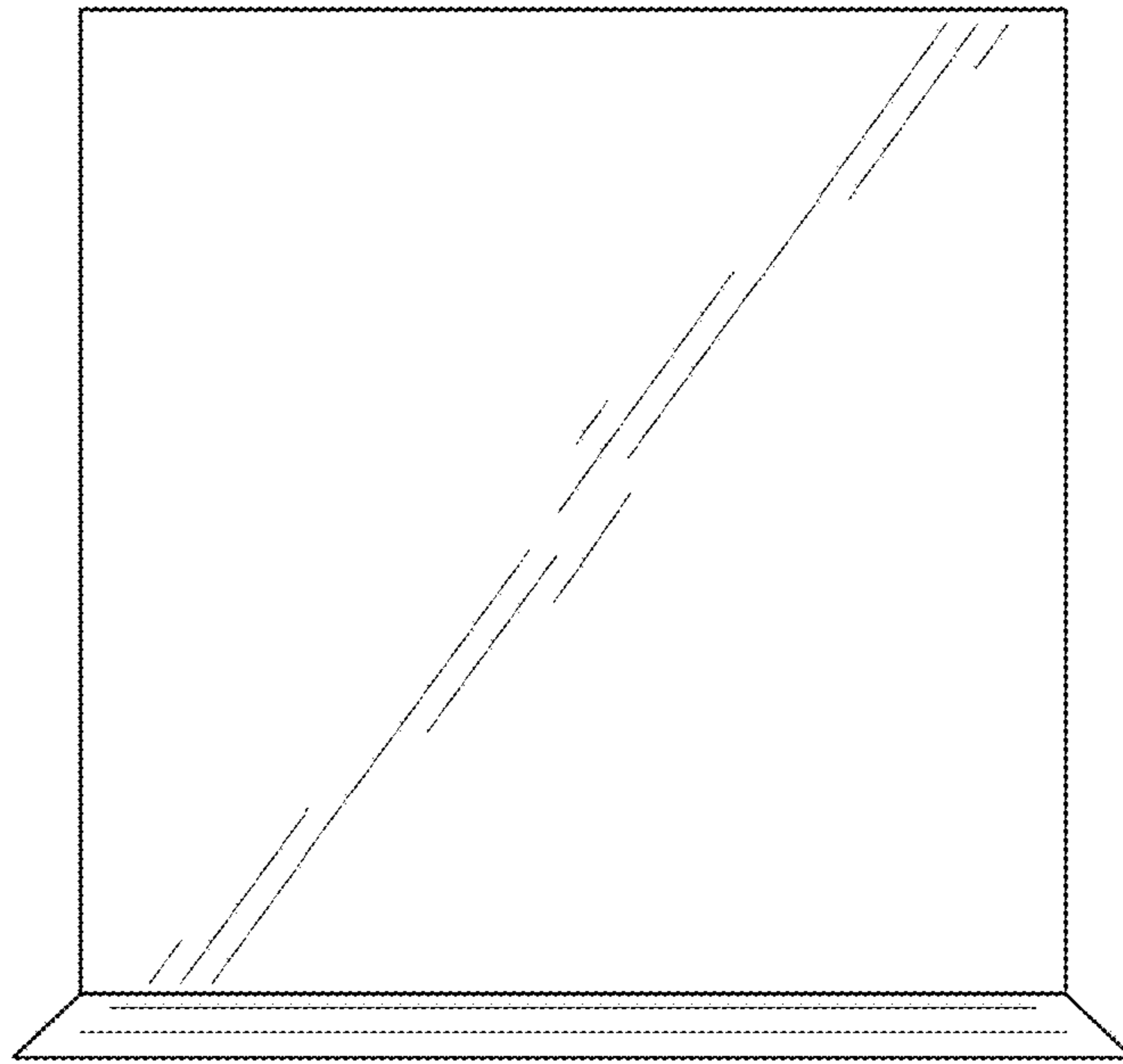


FIG. 4

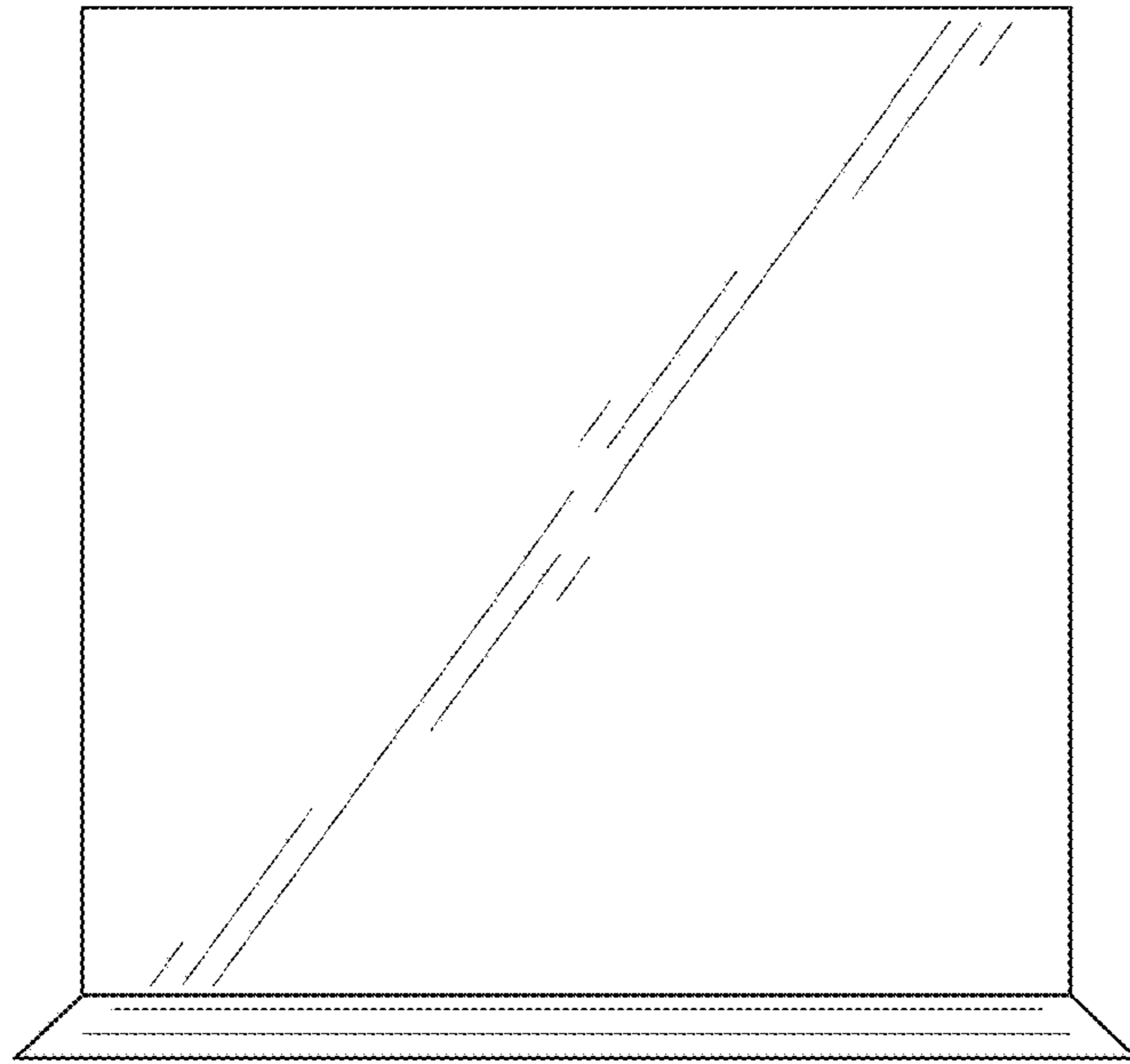


FIG. 5

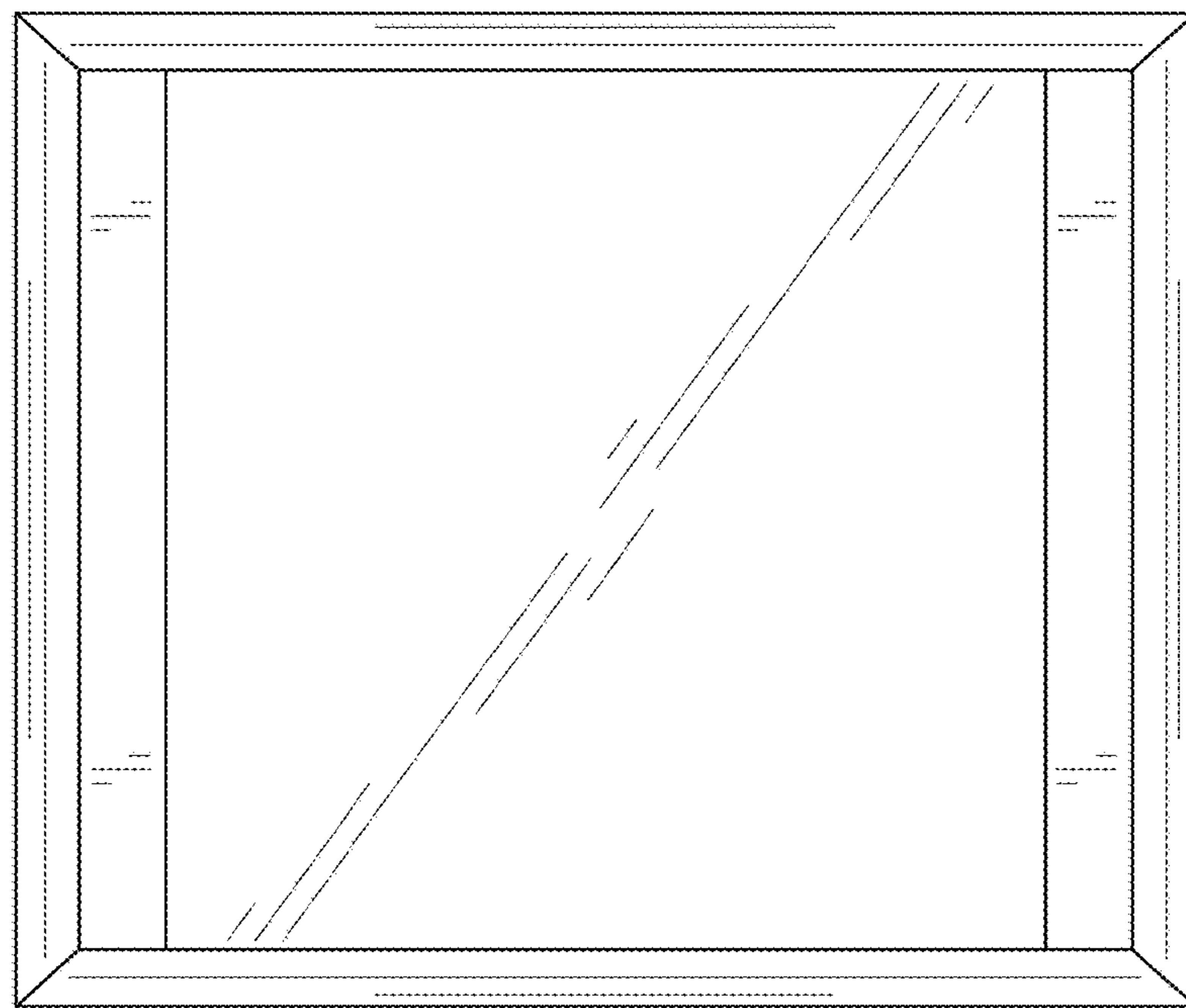


FIG. 6

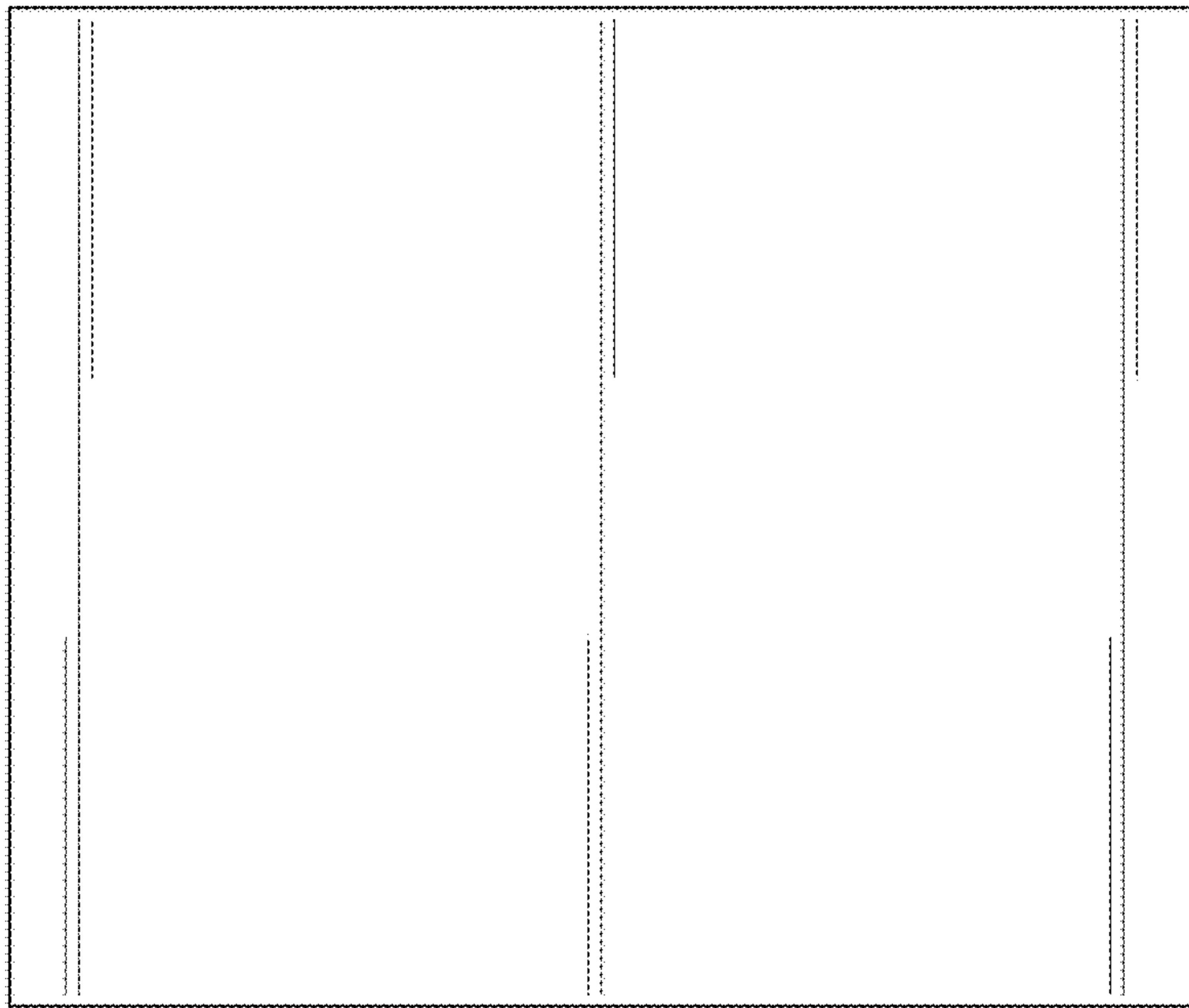


FIG. 7