

US00D846225S

(12) **United States Design Patent**
Johanning et al.

(10) **Patent No.:** **US D846,225 S**
(45) **Date of Patent:** **** Apr. 16, 2019**

(54) **TORQUE HUB**
(71) Applicant: **Dresser, Inc.**, Addison, TX (US)
(72) Inventors: **Jeffrey Louis Johanning**, Ponte Vedra, FL (US); **Mark David Kaczmarek**, Middleburg, FL (US); **Abdul Raof Mohamed**, Jacksonville, FL (US); **Jayesh K. Shah**, Palantine, IL (US); **Casey Michael Stockbridge**, Orange Park, FL (US); **Orie Woodman Van Doran**, Saint Johns, FL (US)

(73) Assignee: **Dresser, LLC**, Houston, TX (US)
(**) Term: **15 Years**

(21) Appl. No.: **29/598,974**

(22) Filed: **Mar. 30, 2017**

(51) **LOC (11) Cl.** **12-05**

(52) **U.S. Cl.**
USPC **D34/35**

(58) **Field of Classification Search**
USPC D8/21, 17; 464/162, 182, 32, 160, 89, 464/68.8, 139, 106; D15/148, 149, 199; D12/114; 414/744.5; 192/58.1, 64; 60/330; D34/35, 28
CPC ... G01L 3/10; F16D 15/00; F16D 3/12; B60G 17/02; B60G 11/18
See application file for complete search history.

(56) **References Cited**

U.S. PATENT DOCUMENTS

3,852,977 A * 12/1974 Chaput F16D 7/00
192/58.1
4,858,494 A * 8/1989 Healy B62M 11/18
192/64
5,370,003 A * 12/1994 Bergeron G01L 3/1478
73/862.338
6,098,484 A * 8/2000 Bacchi B25J 17/00
414/744.5

8,366,560 B2 * 2/2013 Lee F16D 7/10
464/160
D791,023 S * 7/2017 Roy D12/114
2012/0204658 A1 * 8/2012 Mercat B62M 6/50
73/862.338
2015/0300473 A1 * 10/2015 Smith F16H 41/24
60/330

(Continued)

OTHER PUBLICATIONS

GE Oil & Gas, "Becker Control Valve Products," 2015.

(Continued)

Primary Examiner — Cynthia Ramirez

Assistant Examiner — Gino Colan

(74) *Attorney, Agent, or Firm* — Paul Frank + Collins P.C.

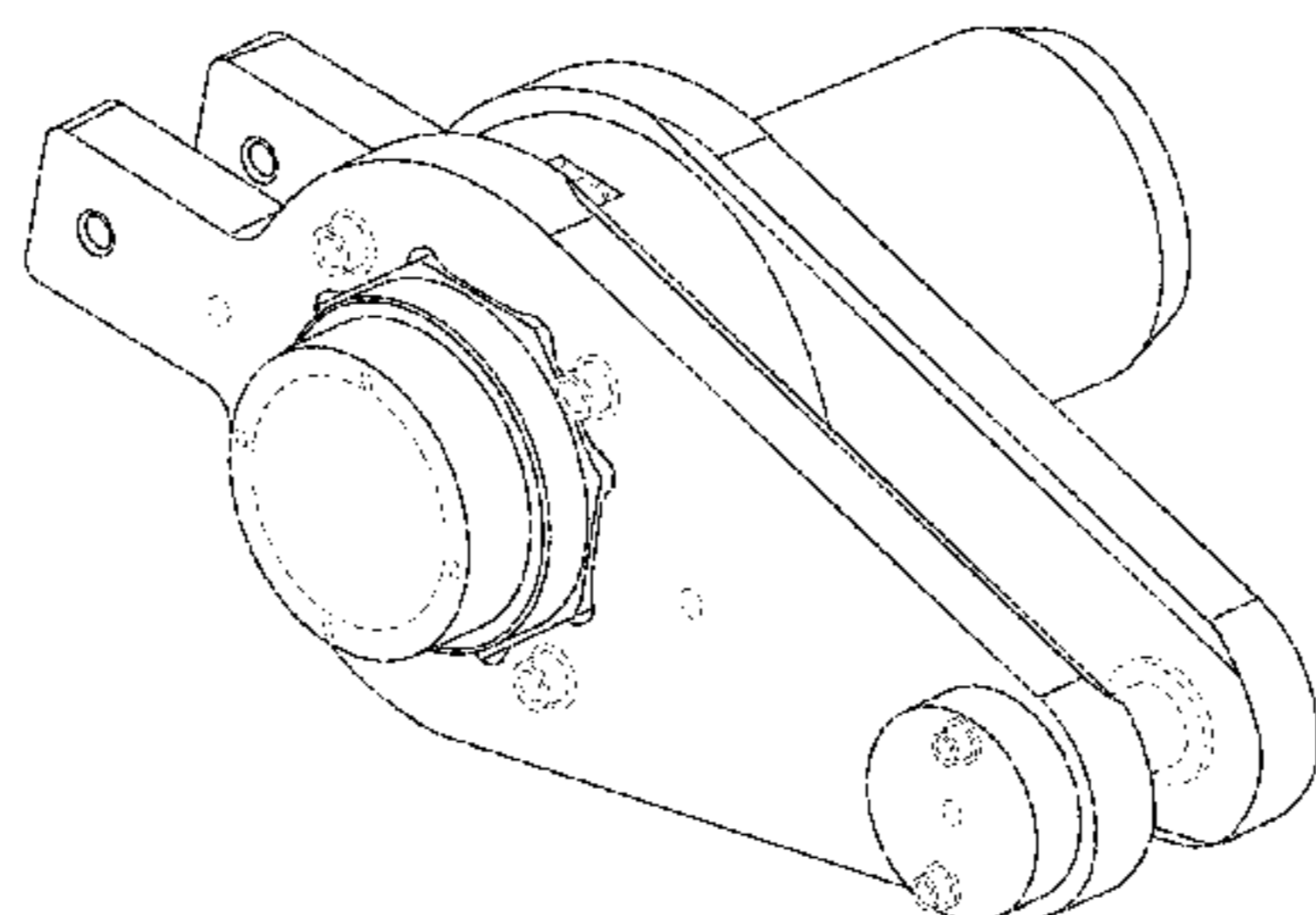
(57) **CLAIM**

The ornamental design for a torque hub, as shown and described.

DESCRIPTION

FIG. 1 is a top right perspective view of a torque hub showing our new design;
FIG. 2 is an elevation view of the front of the torque hub of FIG. 1;
FIG. 3 is an elevation view of the back of the torque hub of FIG. 1;
FIG. 4 is an elevation view of the right side of the torque hub of FIG. 1;
FIG. 5 is an elevation view of the left side of the torque hub of FIG. 1;
FIG. 6 is a plan view of the top of the torque hub of FIG. 1; and,
FIG. 7 is a plan view of the bottom of the torque hub of FIG. 1.
The broken lines shown in the figures are for the purpose of illustrating portions of the torque hub and form no part of the claimed design.

1 Claim, 7 Drawing Sheets



(56)

References Cited

U.S. PATENT DOCUMENTS

2016/0131543 A1* 5/2016 Meuter G01L 3/108
73/862.338

OTHER PUBLICATIONS

Johanning, J.L. et al., Control Valve Assembly, GE Co-Pending U.S.
Appl. No. 62/331,997, filed May 5, 2016.
Johanning, J.L., Control Valve Assembly, GE Co-Pending U.S.
Appl. No. 29/563,478, filed May 5, 2016.

* cited by examiner

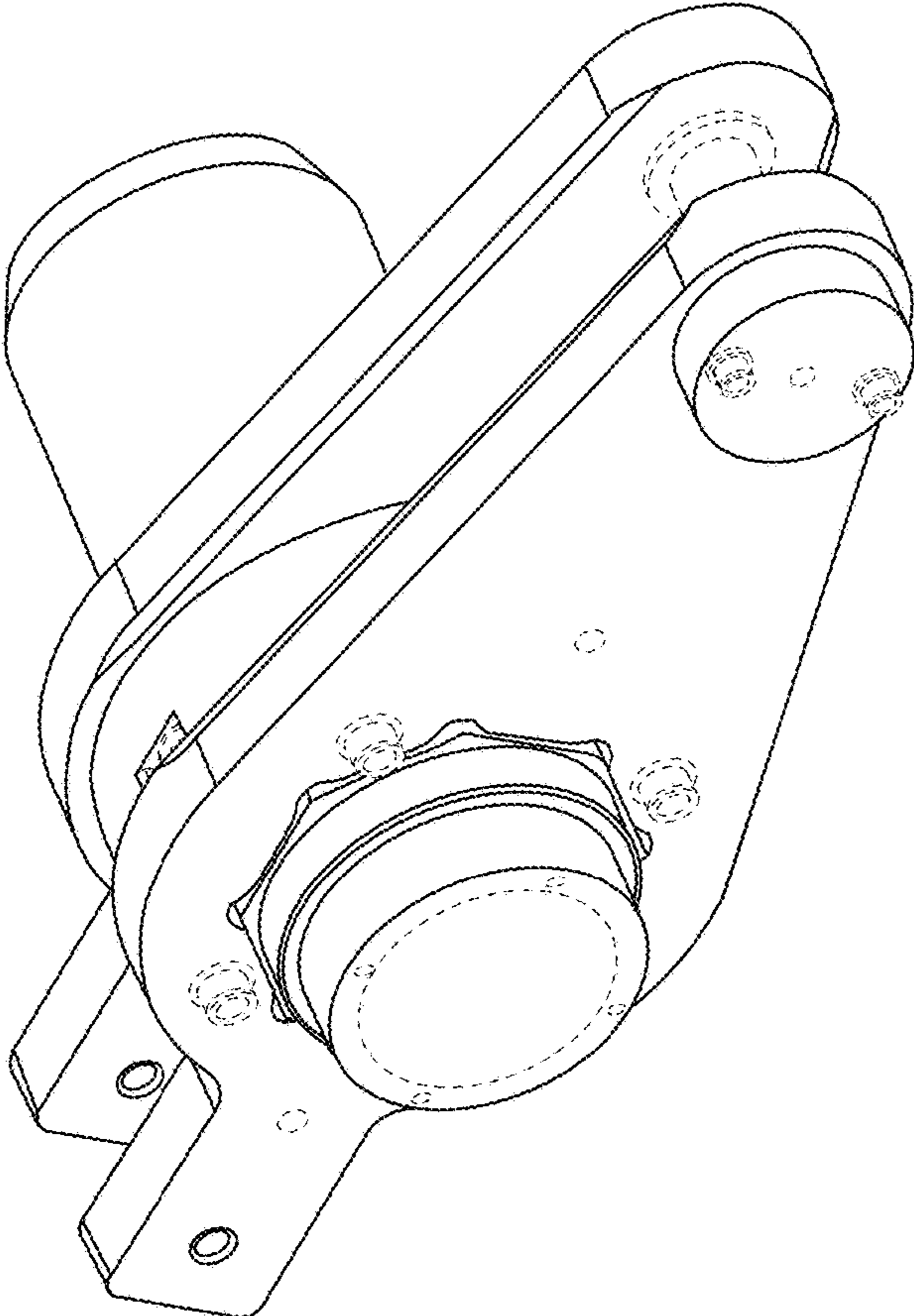


FIG. 1

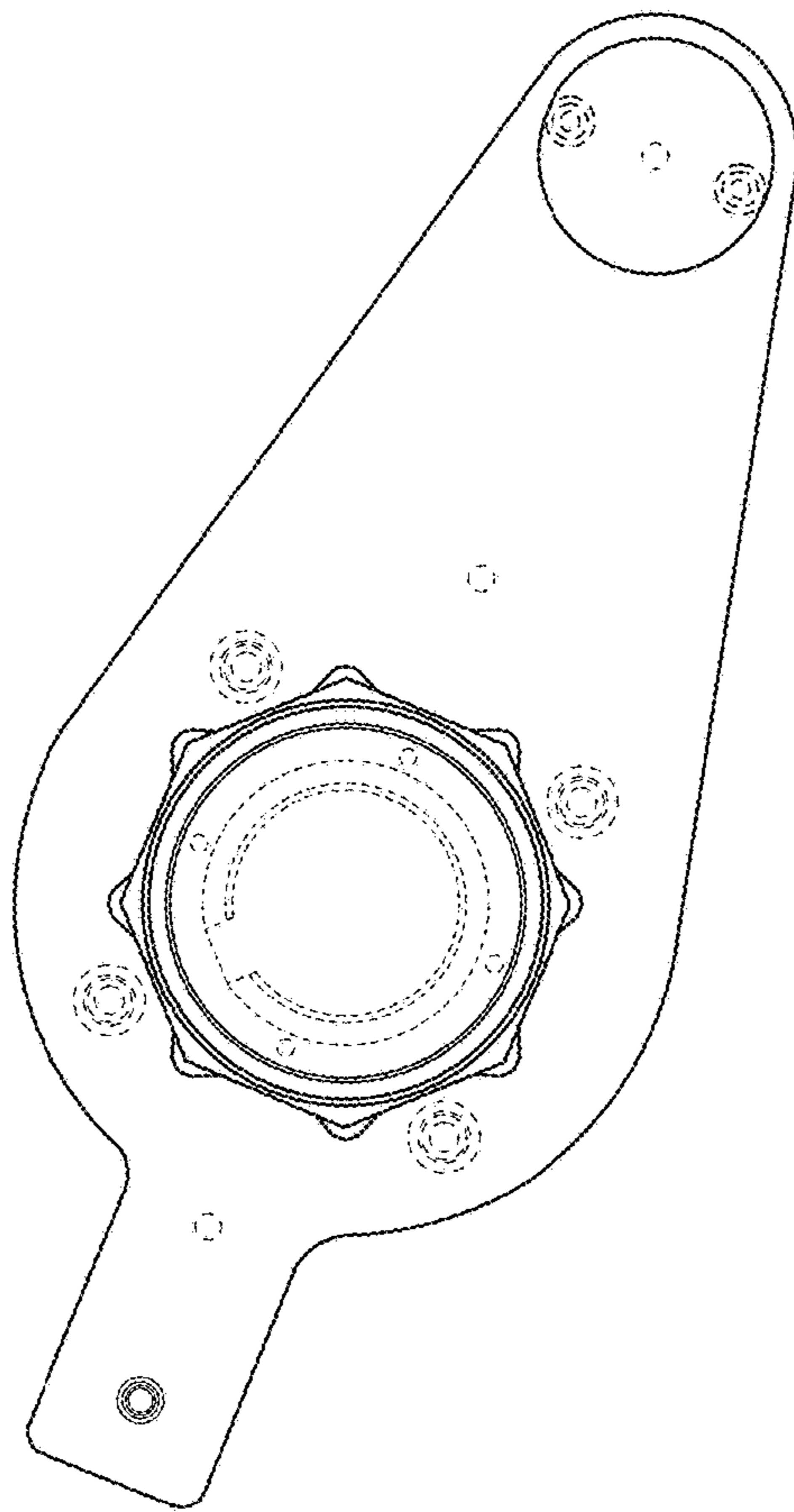


FIG. 2

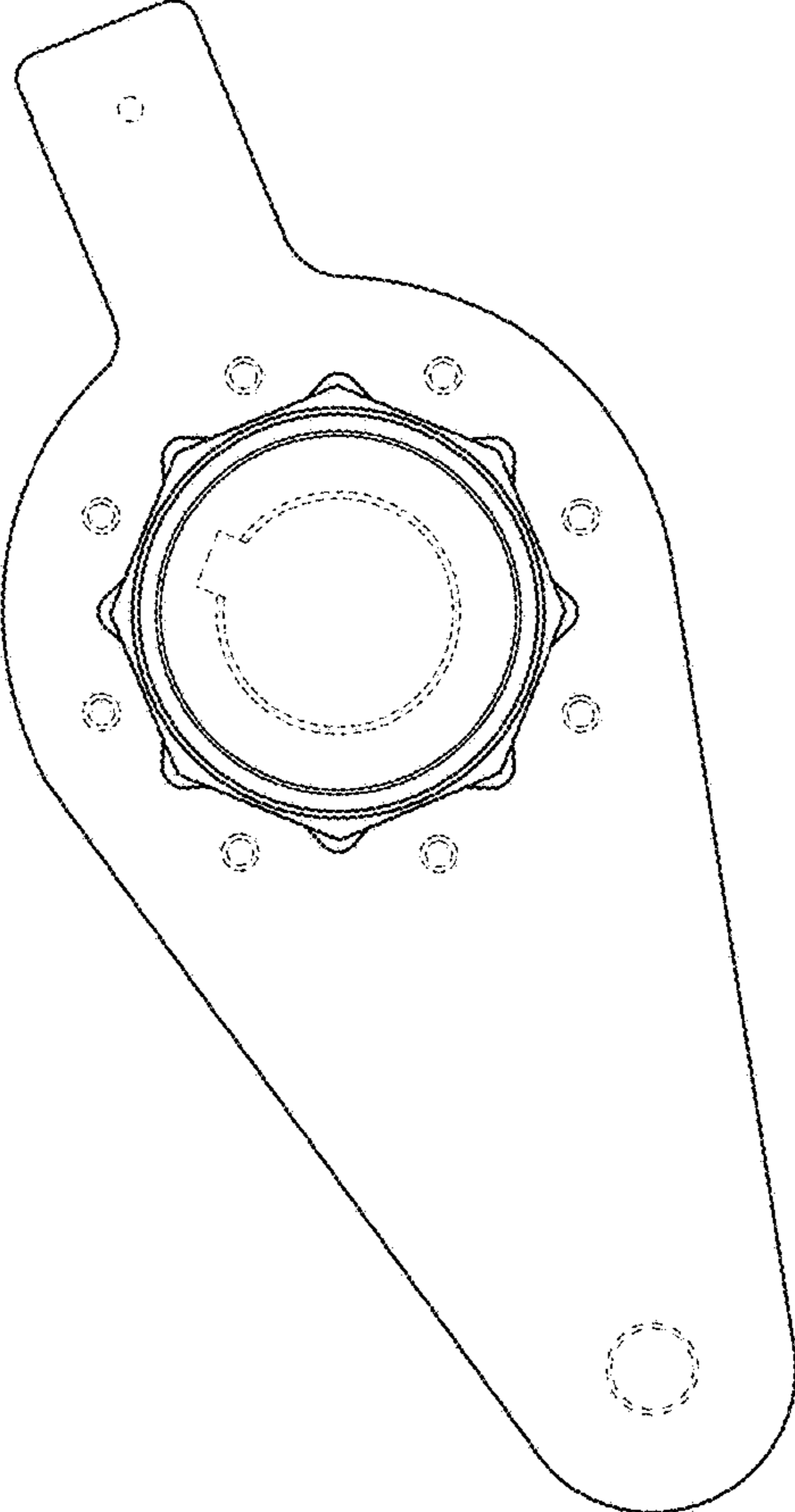


FIG. 3

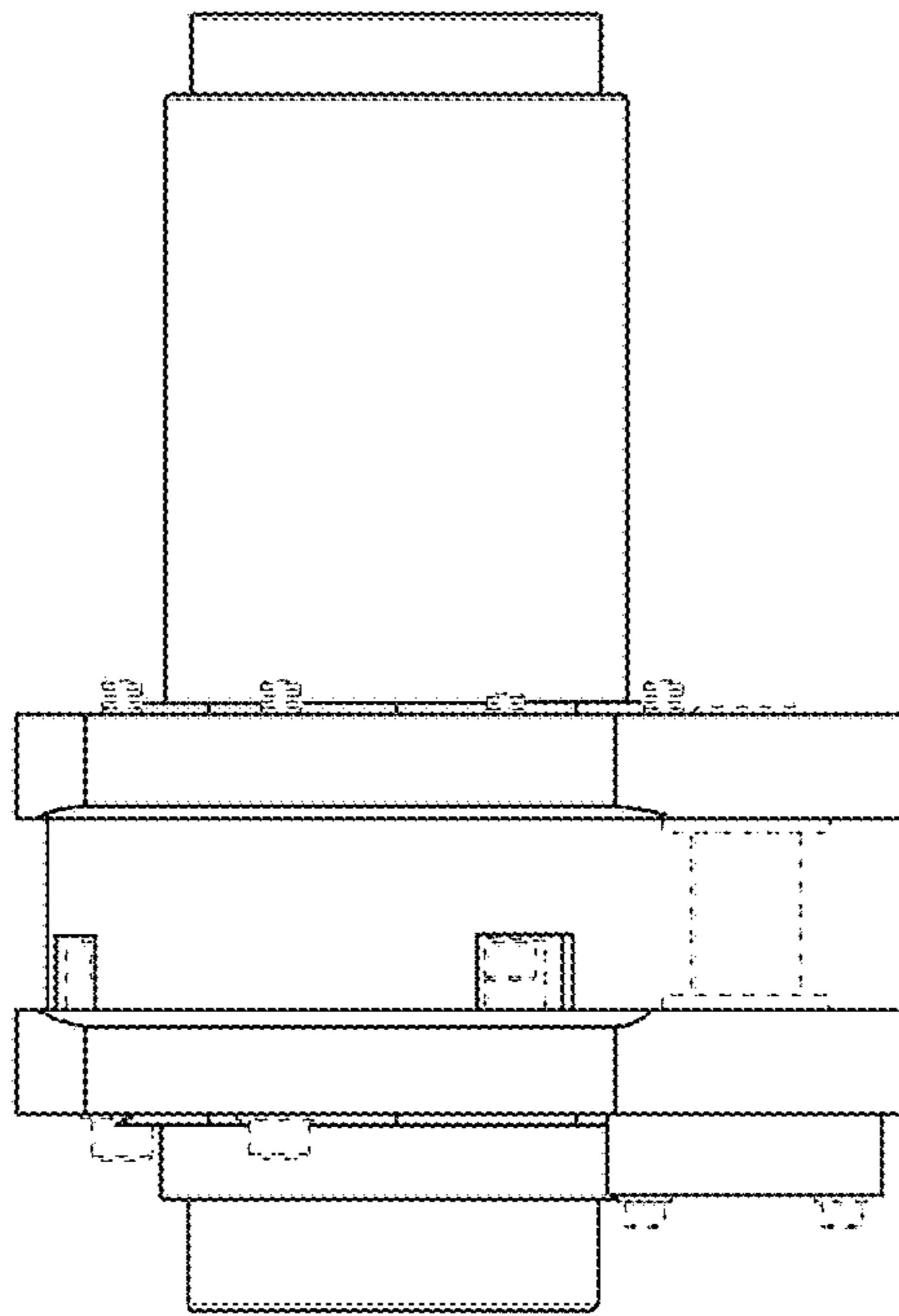


FIG. 4

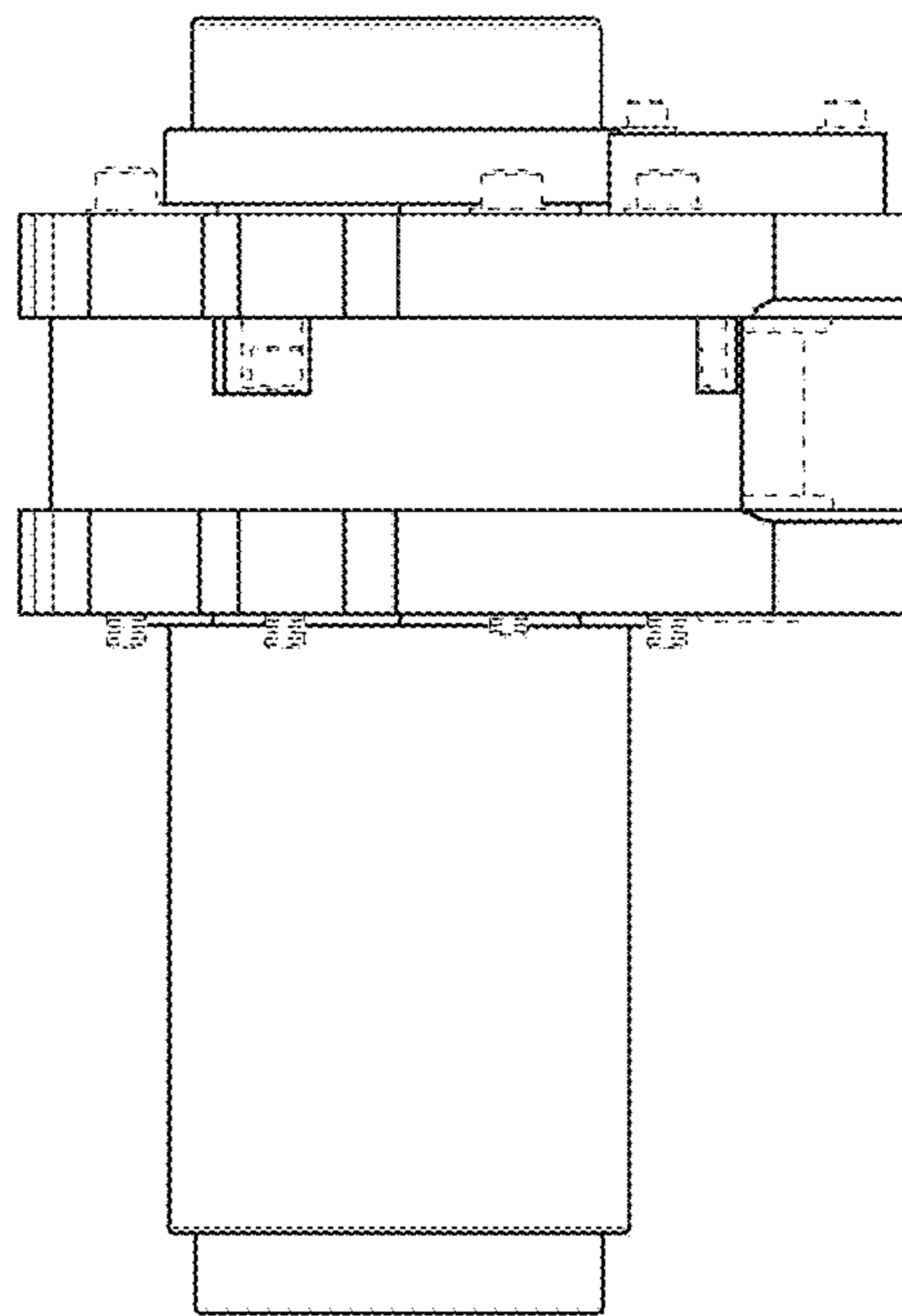


FIG. 5

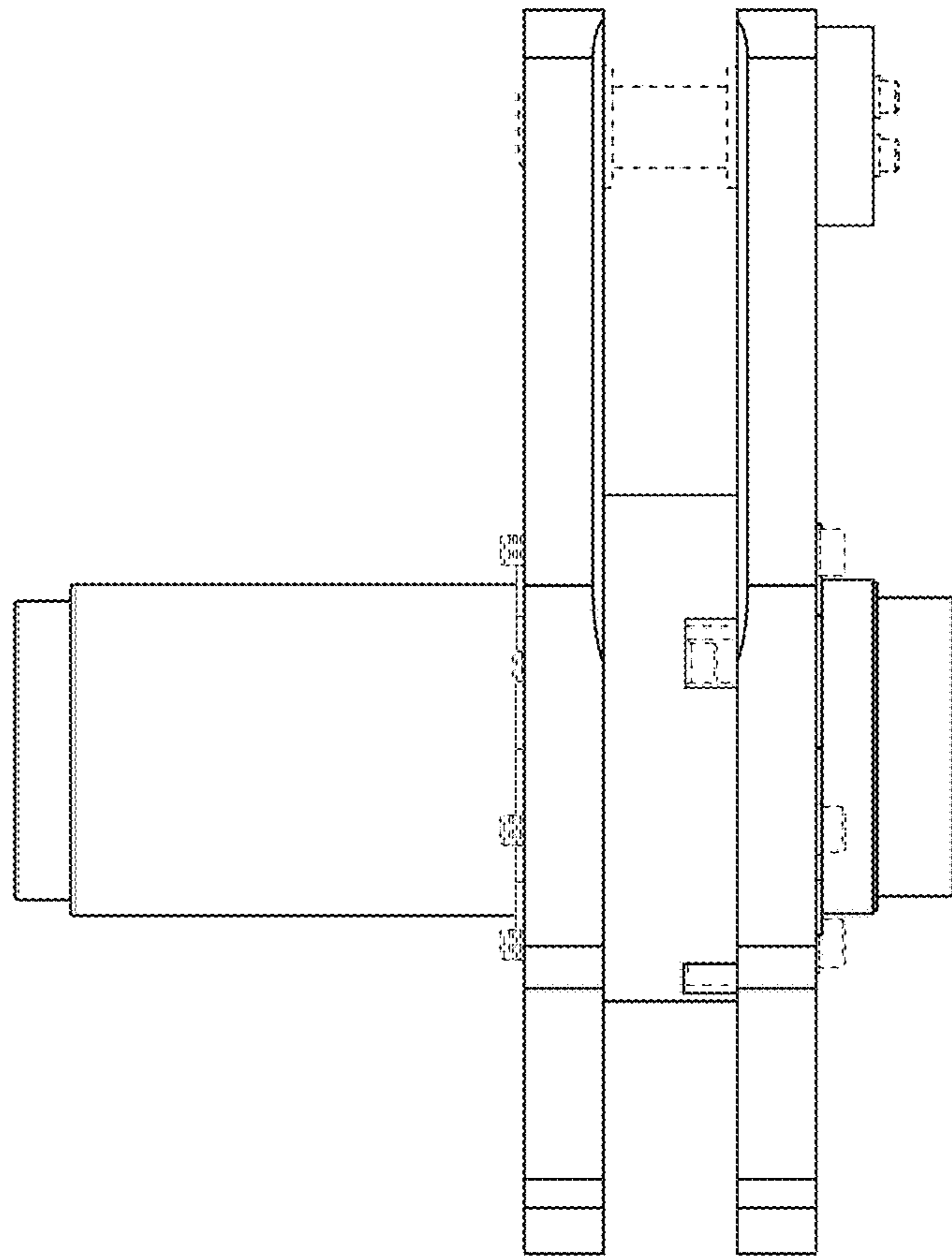


FIG. 6

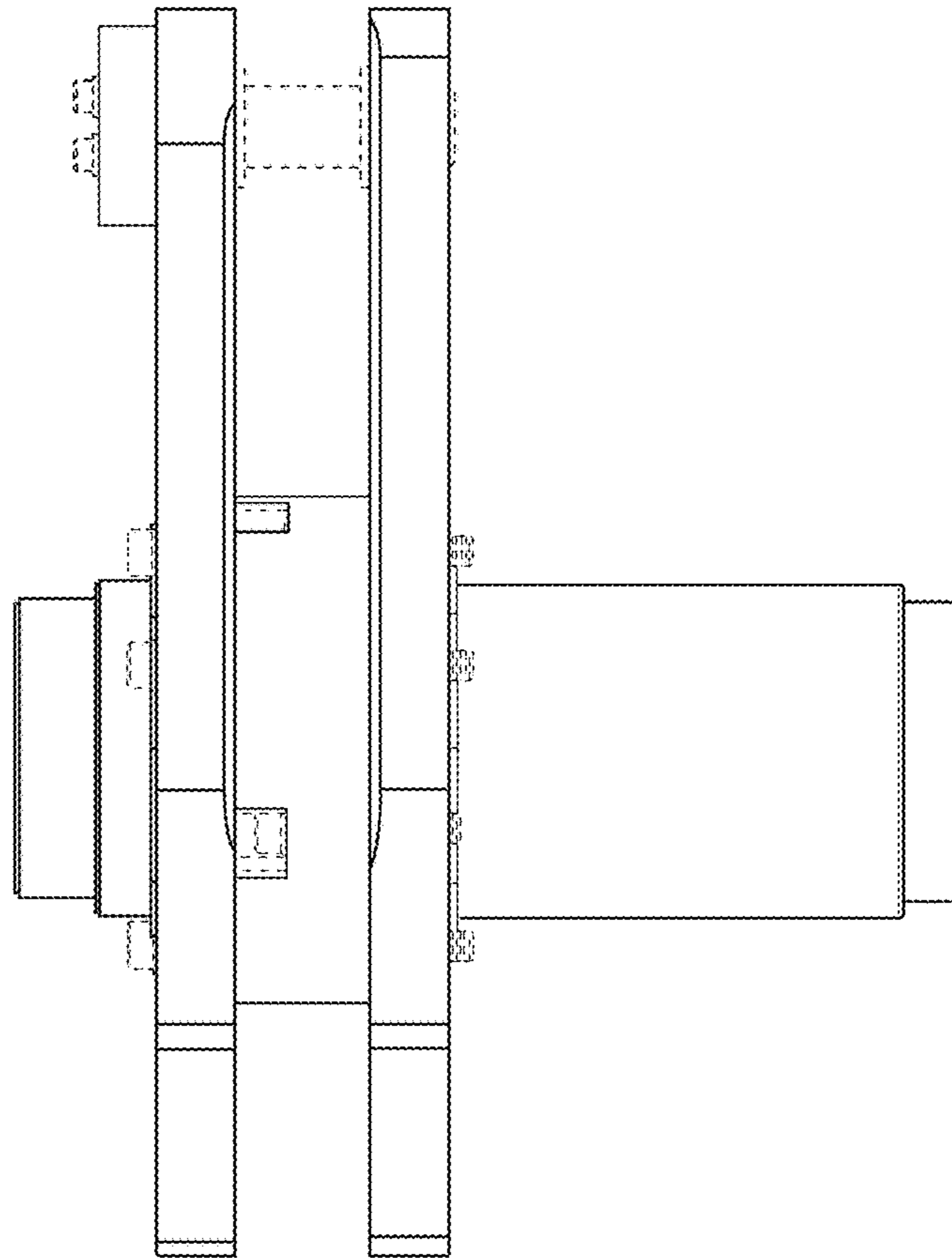


FIG. 7