



US00D846223S

(12) **United States Design Patent**  
**Sheesley**

(10) **Patent No.:** **US D846,223 S**

(45) **Date of Patent:** **\*\* Apr. 16, 2019**

(54) **AIR TRANSFER DEVICE**

(71) Applicant: **Can Do Logistics LLC**, Berlin, WI  
(US)

(72) Inventor: **John M. Sheesley**, San Antonia, TX  
(US)

(73) Assignee: **Can Do Logistics LLC**, Berlin, WI  
(US)

(\*\*) Term: **15 Years**

(21) Appl. No.: **29/535,827**

(22) Filed: **Aug. 11, 2015**

**Related U.S. Application Data**

(63) Continuation of application No. 14/749,591, filed on  
Jun. 24, 2015, now Pat. No. 9,309,064.

(51) **LOC (11) Cl.** ..... **12-05**

(52) **U.S. Cl.**  
USPC ..... **D34/31**

(58) **Field of Classification Search**  
USPC ..... D34/28, 31, 34, 35; 92/61, 85 B, 169.1,  
92/169.2, 155; D15/5, 7; 187/226;  
91/396; 298/17.6  
CPC .. B66F 9/22; B66F 3/24; B66F 9/0655; B66F  
11/046; B66F 9/205  
See application file for complete search history.

(56) **References Cited**

**U.S. PATENT DOCUMENTS**

D561,424 S \* 2/2008 Drake ..... D34/31  
8,118,368 B1 \* 2/2012 Rogers ..... B60P 1/165  
298/17.6

9,309,064 B2 \* 4/2016 Sheesley ..... B65D 88/129  
D789,015 S \* 6/2017 Shu ..... D34/28  
D790,796 S \* 6/2017 Alanko ..... D34/31  
D793,648 S \* 8/2017 Jiang ..... D34/28  
2009/0288553 A1 \* 11/2009 Gaus ..... F15B 15/1433  
92/169.1  
2010/0077916 A1 \* 4/2010 Brunn ..... F15B 15/224  
91/396  
2015/0226329 A1 \* 8/2015 Bedeschi ..... F15B 15/1428  
92/169.2

\* cited by examiner

*Primary Examiner* — Cynthia Ramirez

*Assistant Examiner* — Gino Colan

(74) *Attorney, Agent, or Firm* — Christopher M. Scherer;  
DeWitt LLP

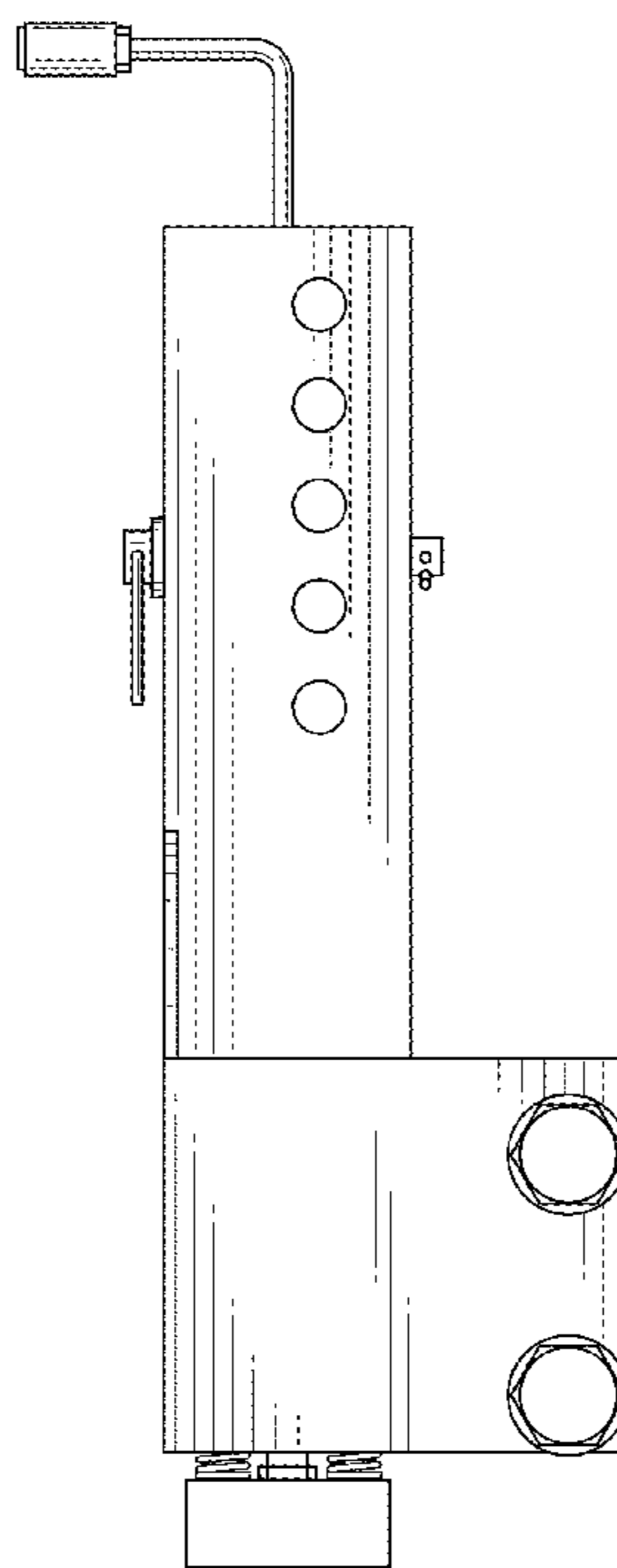
(57) **CLAIM**

The ornamental design for an air transfer device, as shown  
and described.

**DESCRIPTION**

FIG. 1 is a front view of an air transfer device showing my  
new design.  
FIG. 2 is a right-side elevation view of FIG. 1.  
FIG. 3 is a top view of FIG. 1.  
FIG. 4 is a bottom view of FIG. 1.  
FIG. 5 is a left-side elevation view of FIG. 1.  
FIG. 6 is a back view of FIG. 1; and,  
FIG. 7 is a frontal perspective view of the air transfer device.  
The broken lines in the drawings views are included for the  
purpose of illustrating portions of the air transfer device  
that form no part of the claimed design.

**1 Claim, 6 Drawing Sheets**



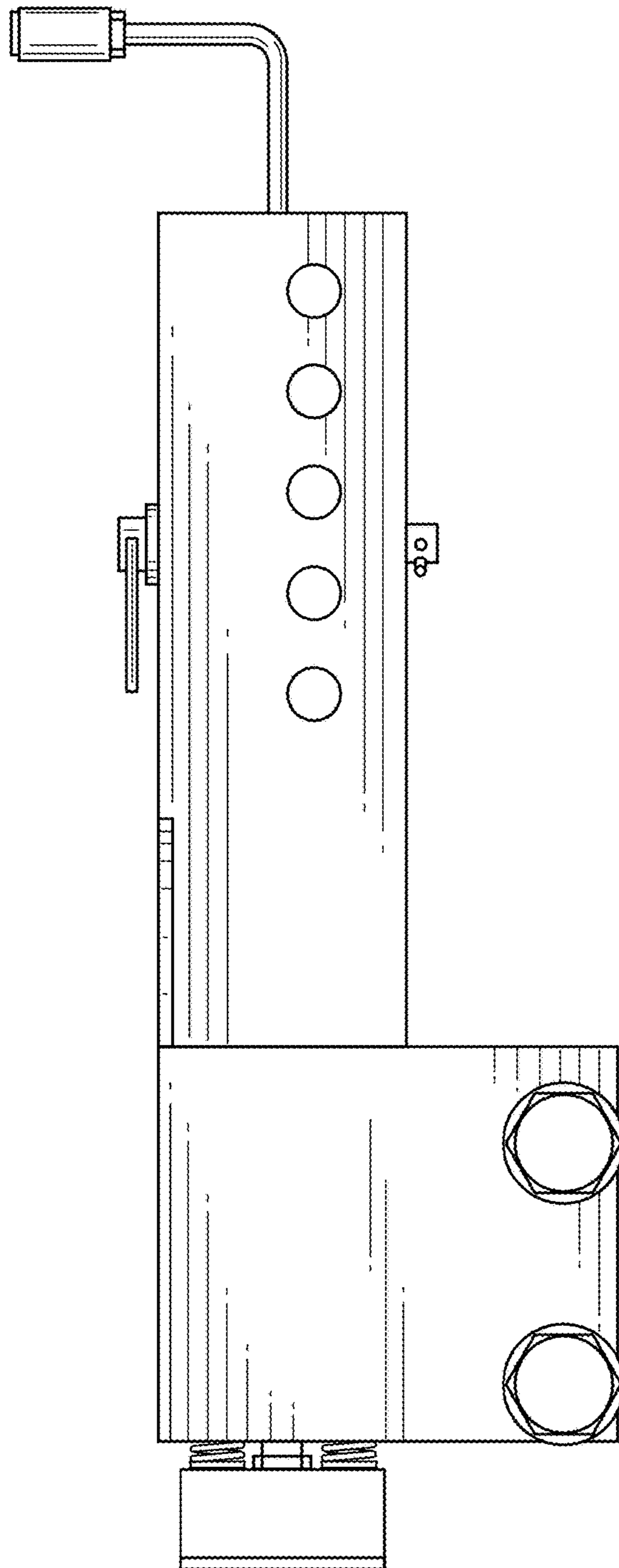


FIG. 1

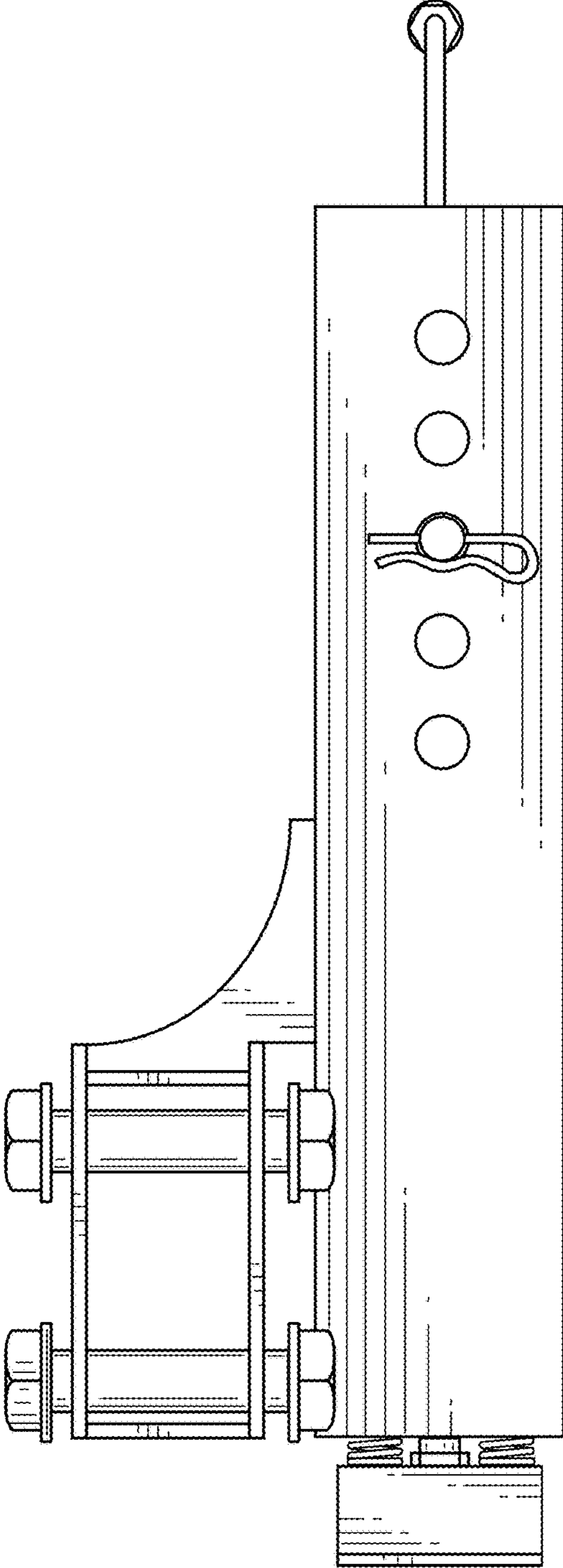
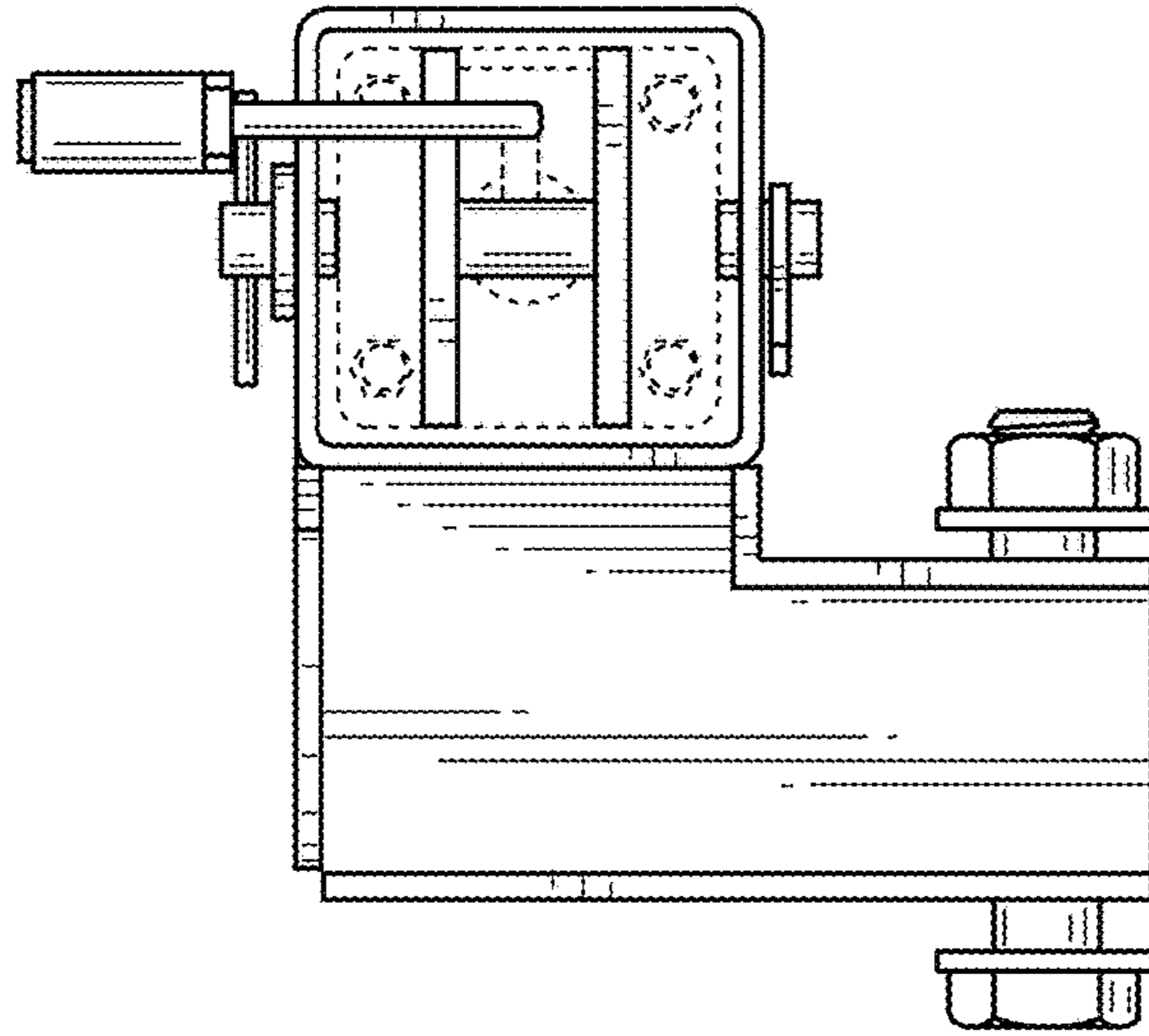
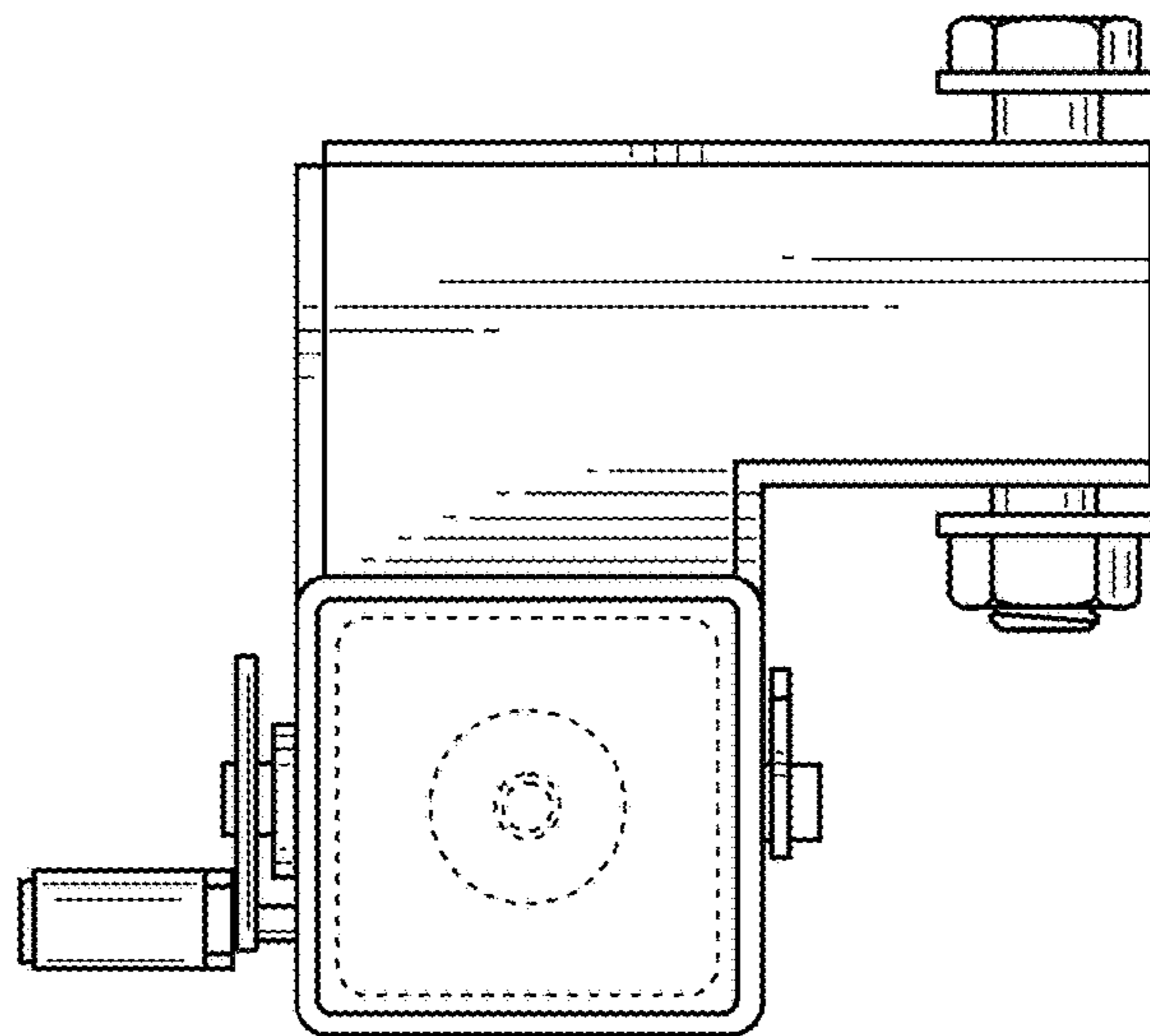


FIG. 2



**FIG. 3**



**FIG. 4**

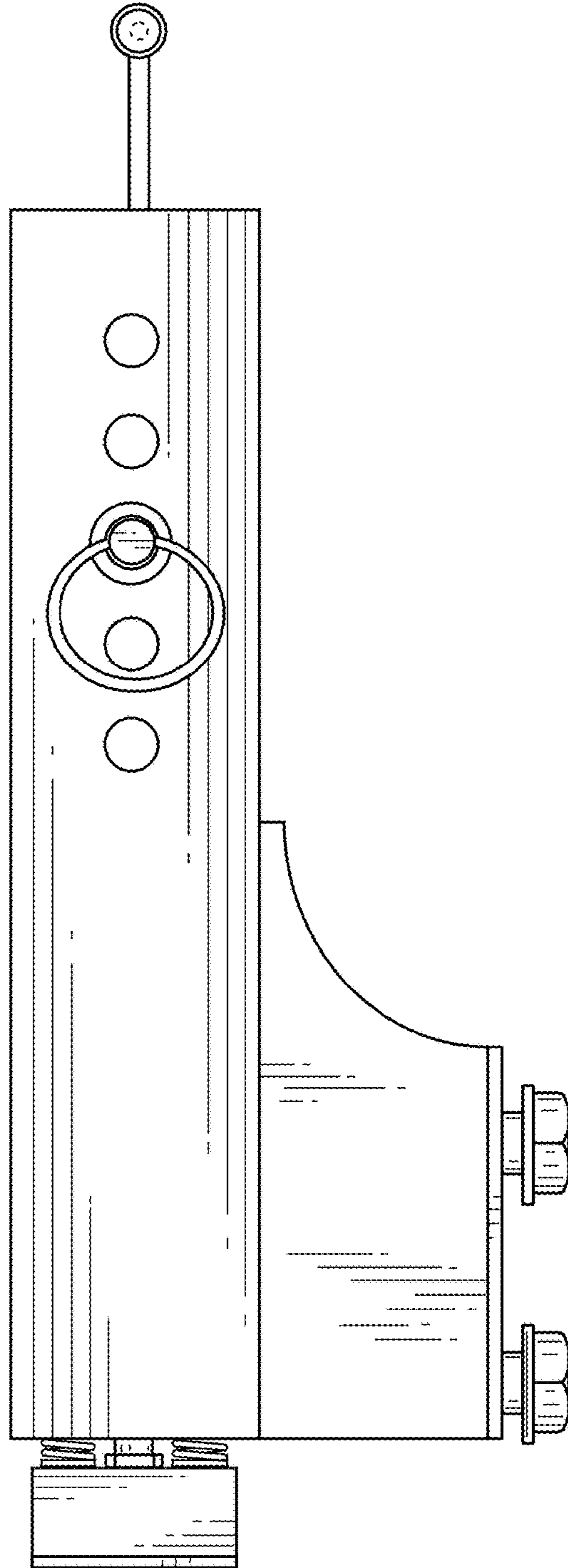


FIG. 5

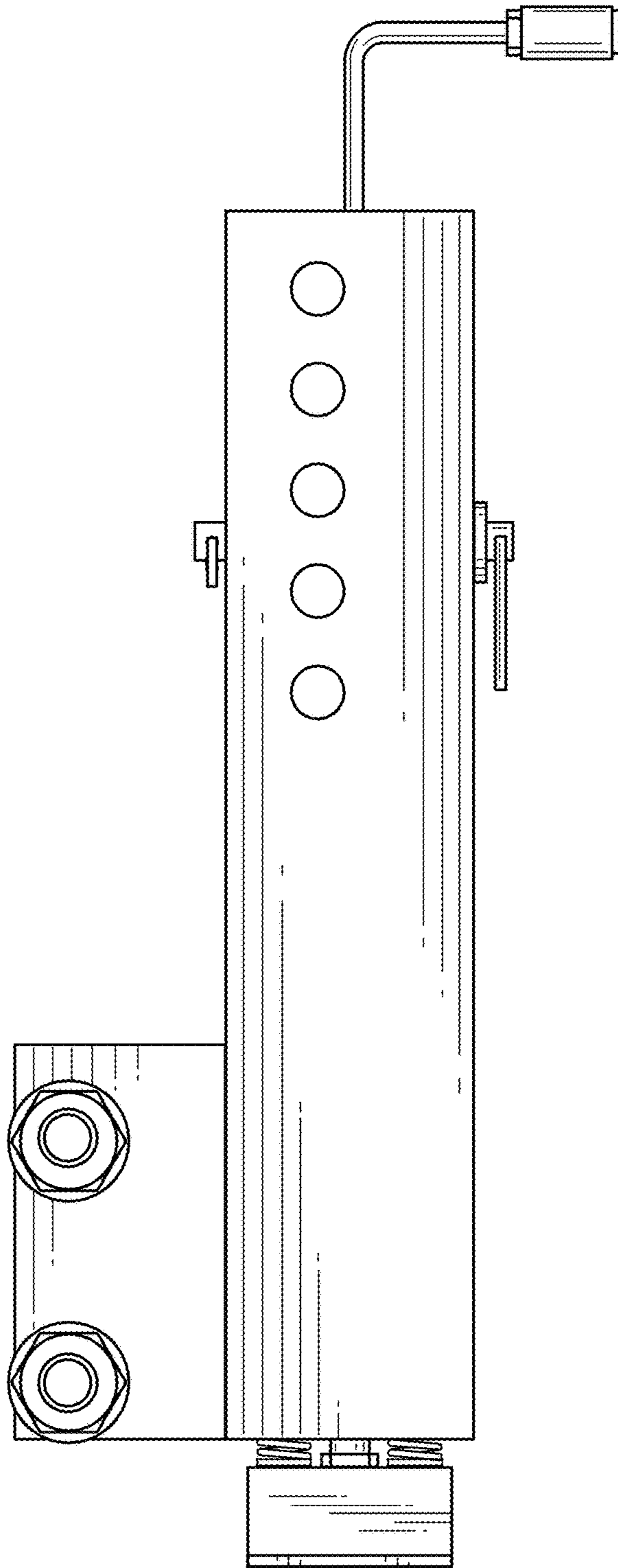


FIG. 6



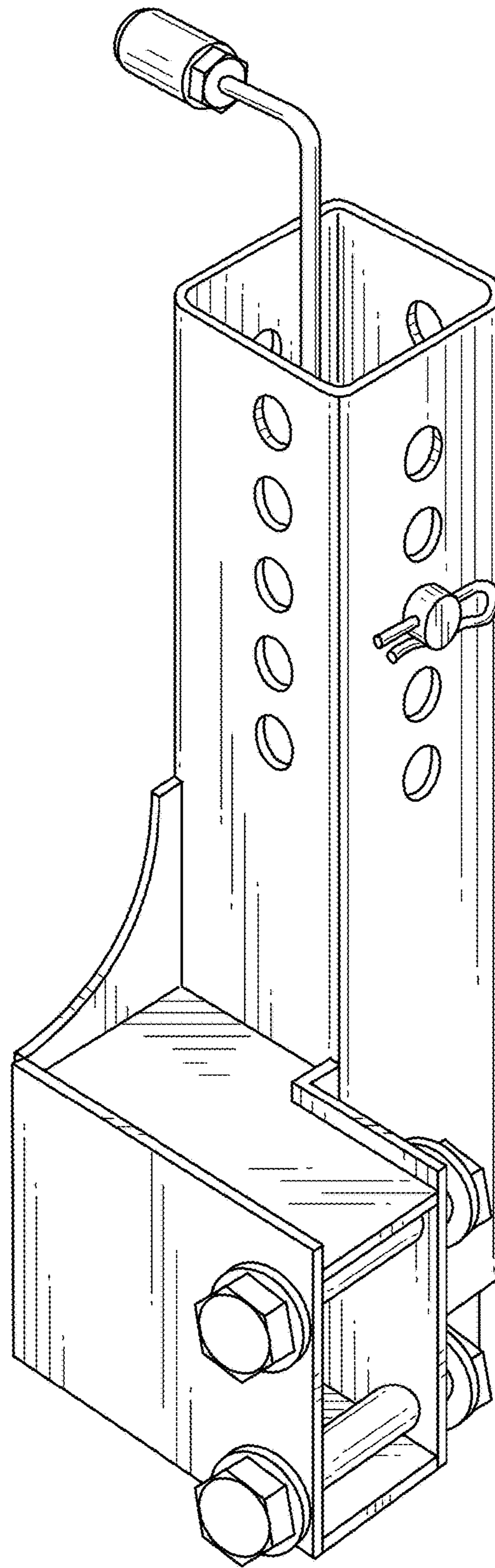


FIG. 7