



US00D846221S

(12) **United States Design Patent** (10) **Patent No.:** **US D846,221 S**  
**Bom** (45) **Date of Patent:** **\*\* Apr. 16, 2019**

(54) **TROLLEY FOR GOLF BAG**

(71) Applicant: **Bordeso B.V.**, Leusden (NL)

(72) Inventor: **Piet Bom**, Schilde (BE)

(73) Assignee: **Bordeso B.V.**, Leusden (NL)

(\*\*) Term: **15 Years**

(21) Appl. No.: **29/591,832**

(22) Filed: **Jan. 24, 2017**

(51) **LOC (11) Cl.** ..... **12-13**

(52) **U.S. Cl.**  
USPC ..... **D34/15**

(58) **Field of Classification Search**  
USPC ..... D34/15; 280/62, 641, 642, 651, 646,  
280/47.24, 47.26, 39, 40, 33.991  
CPC . B62B 2202/404; B62B 3/02; B62B 2205/24;  
B62B 2205/00  
See application file for complete search history.

(56) **References Cited**

**U.S. PATENT DOCUMENTS**

|              |         |          |       |        |
|--------------|---------|----------|-------|--------|
| D302,616 S * | 8/1989  | Hartmann | ..... | D34/15 |
| D646,038 S * | 9/2011  | Brundl   | ..... | D34/15 |
| D649,731 S * | 11/2011 | Wang     | ..... | D34/15 |
| D664,732 S * | 7/2012  | Liao     | ..... | D34/15 |
| D794,896 S * | 8/2017  | Liao     | ..... | D34/15 |
| D812,333 S * | 3/2018  | Gong     | ..... | D34/15 |
| D812,837 S * | 3/2018  | Herrick  | ..... | D34/15 |

\* cited by examiner

*Primary Examiner* — Cynthia Ramirez

(74) *Attorney, Agent, or Firm* — Adsero IP

(57) **CLAIM**

The ornamental design for a trolley for golf bag, as shown and described.

**DESCRIPTION**

FIG. 1 is a right side elevation view of a trolley for golf bag showing our new design, the left side elevation view being a mirror image thereof;

FIG. 2 is a front elevation view of the trolley for golf bag of FIG. 1;

FIG. 3 is a rear elevation view of the trolley for golf bag of FIG. 1;

FIG. 4 is a top plan view of the trolley for golf bag of FIG. 1;

FIG. 5 is a top, right, front perspective view of the trolley for golf bag of FIG. 1;

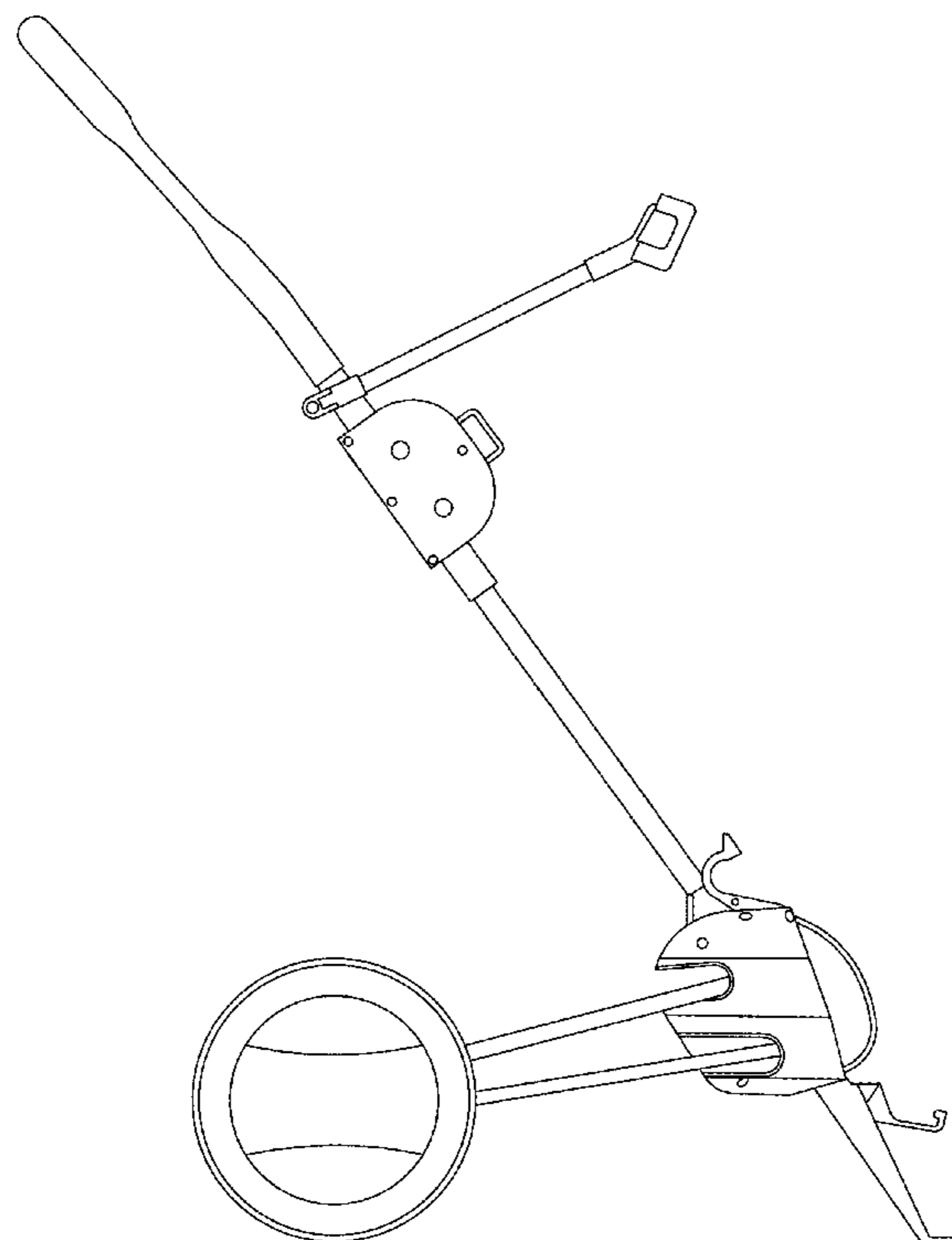
FIG. 6 is a top, right, rear perspective view of the trolley for golf bag of FIG. 1 shown in condition of use;

FIG. 7 is a top, right, front perspective view of the trolley for golf bag of FIG. 1 with the bag embracing arms in folded configuration; and,

FIG. 8 is a top, right, front perspective view of the trolley for golf bag of FIG. 1 in a fully folded configuration.

The broken lines showing portions of the design in all figures are included for the purpose of illustrating environment and unclaimed features and form no part of the claimed design.

**1 Claim, 8 Drawing Sheets**



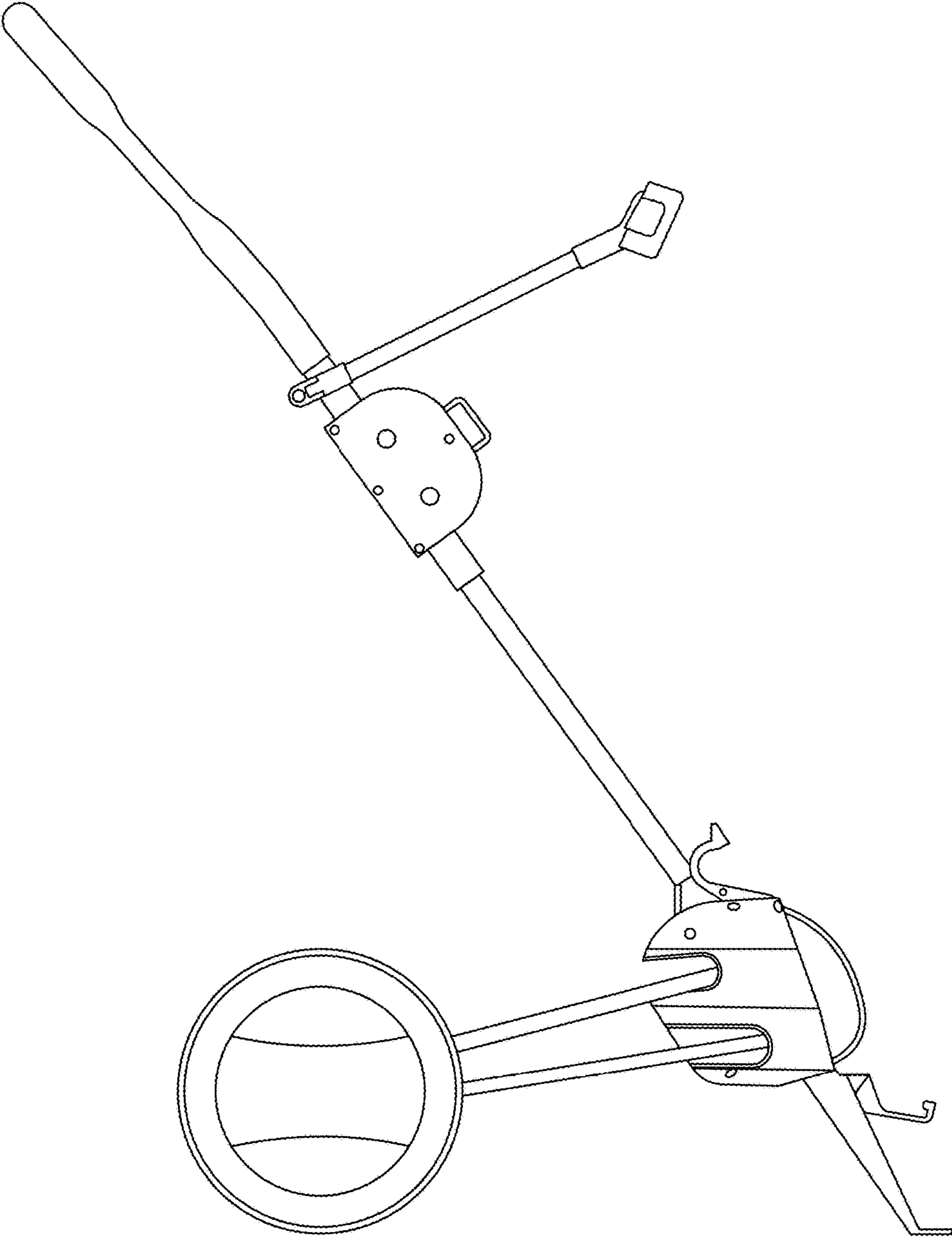


Fig. 1

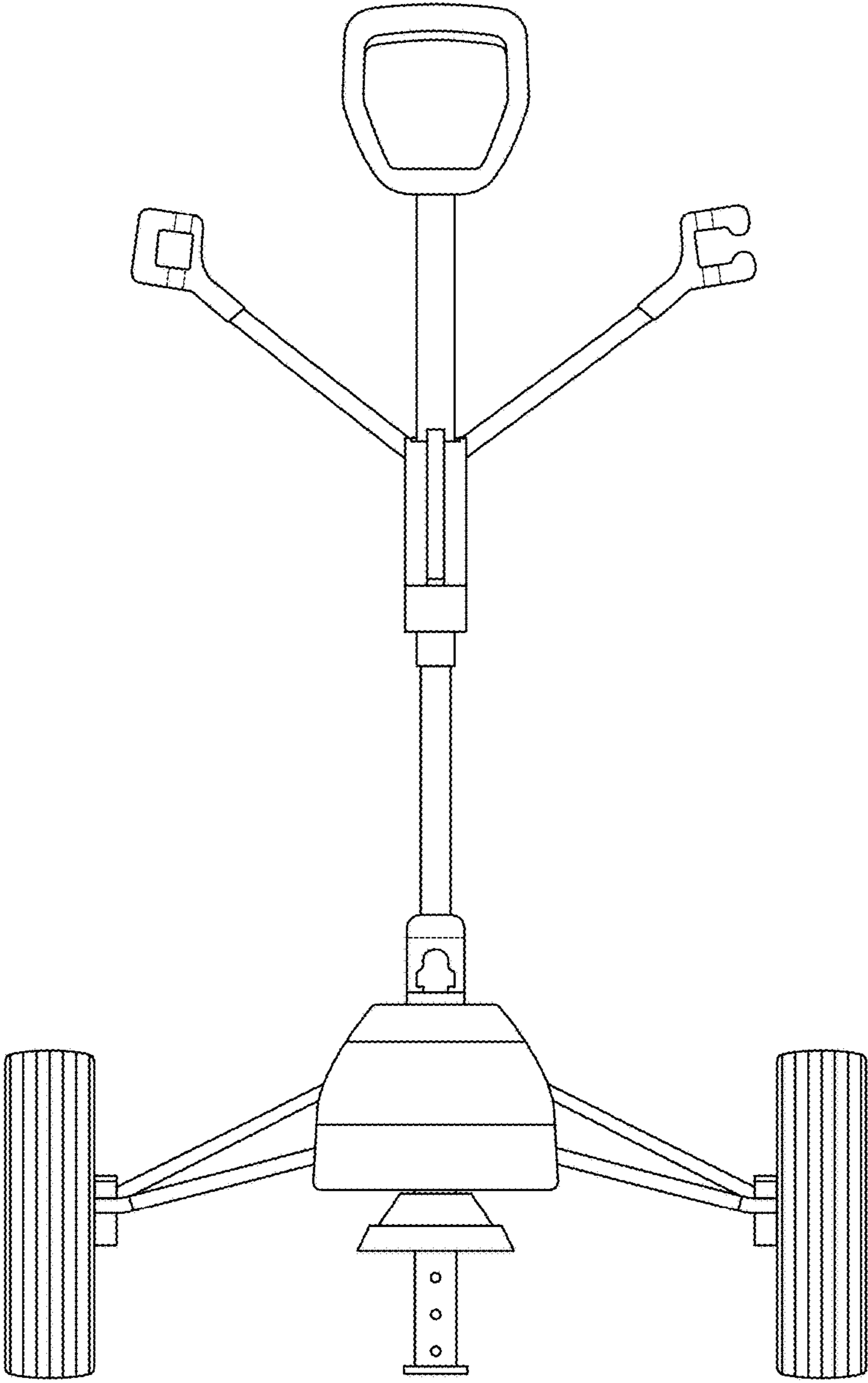


Fig. 2

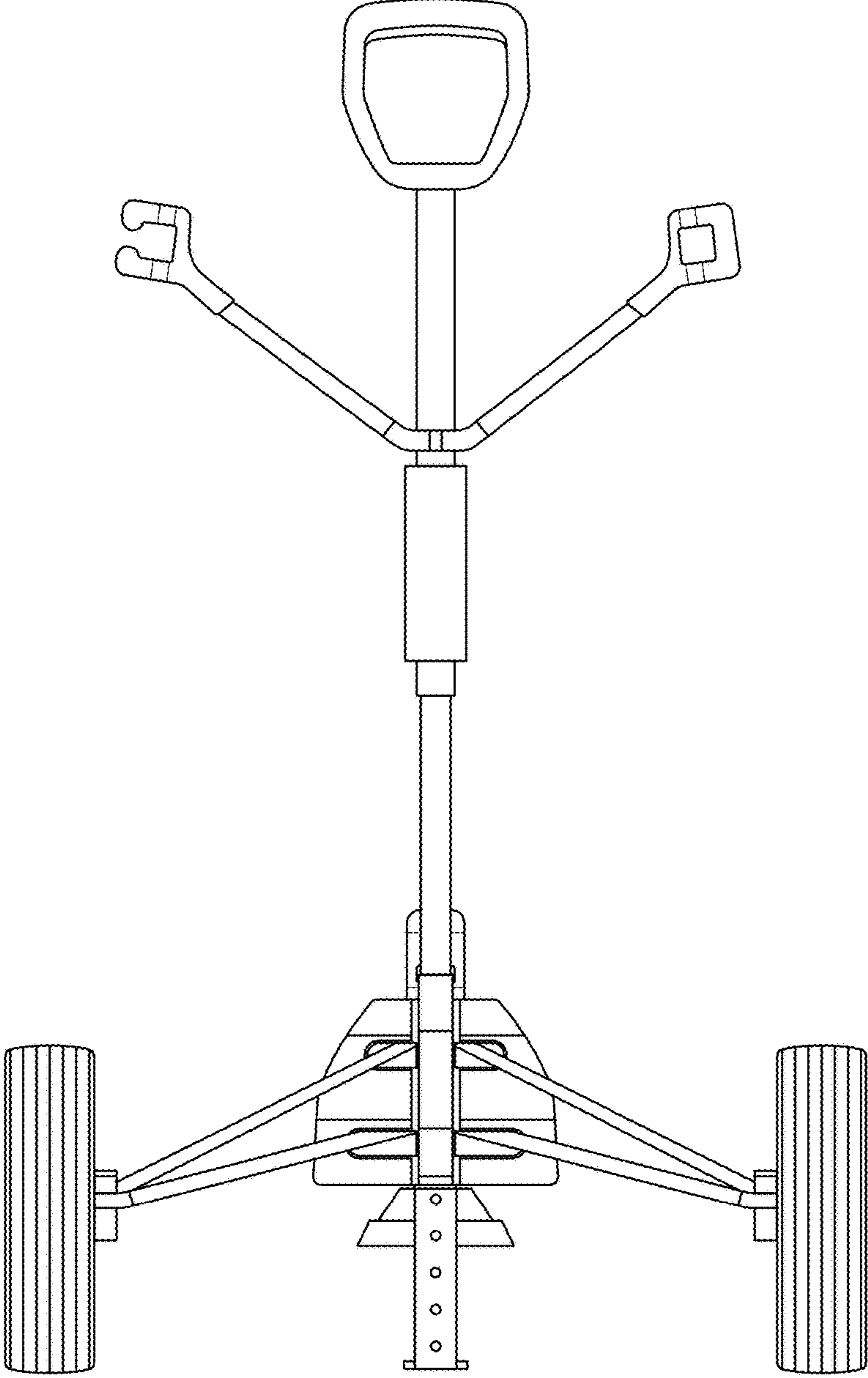


Fig. 3

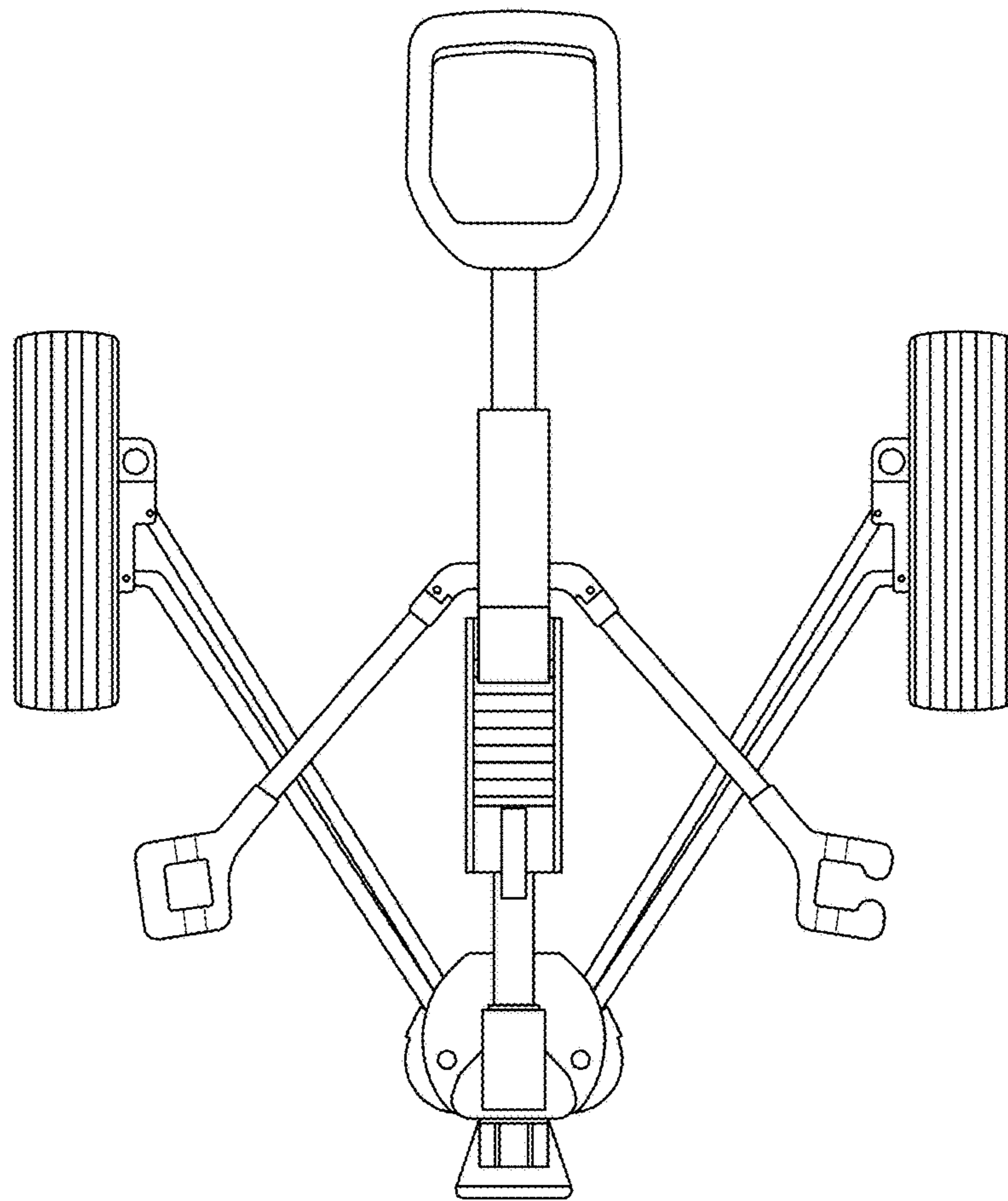


Fig. 4

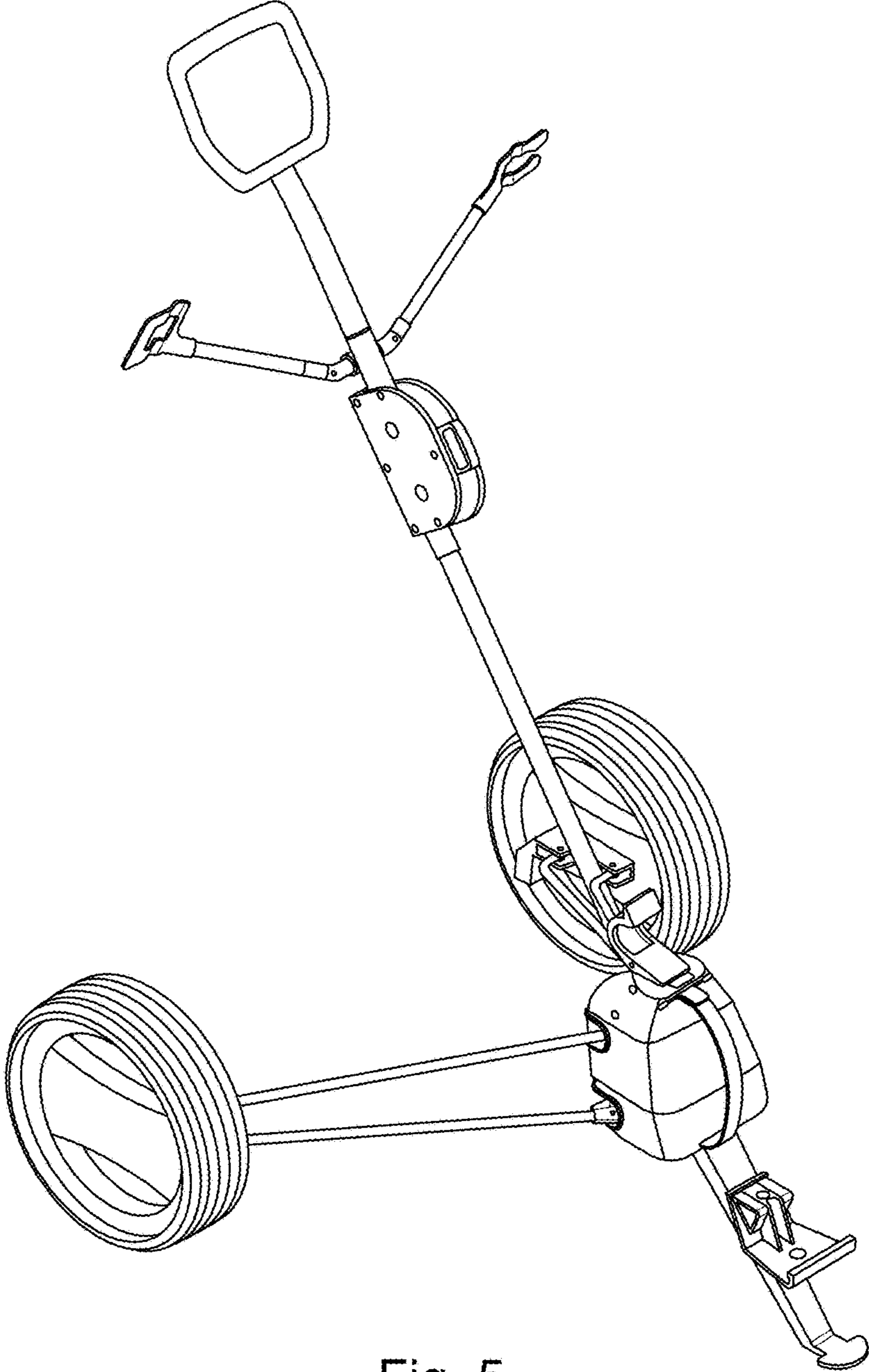


Fig. 5

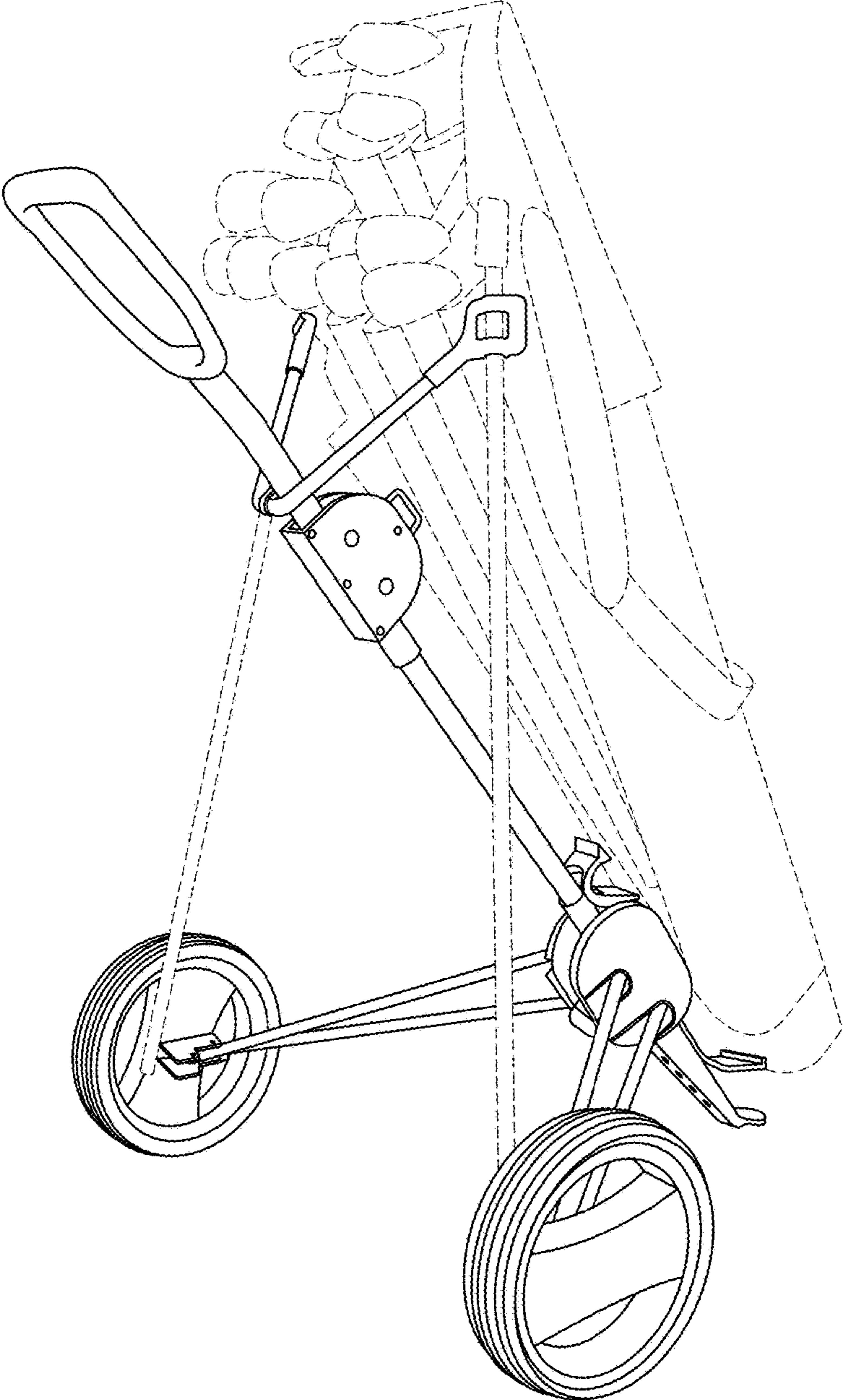


Fig. 6

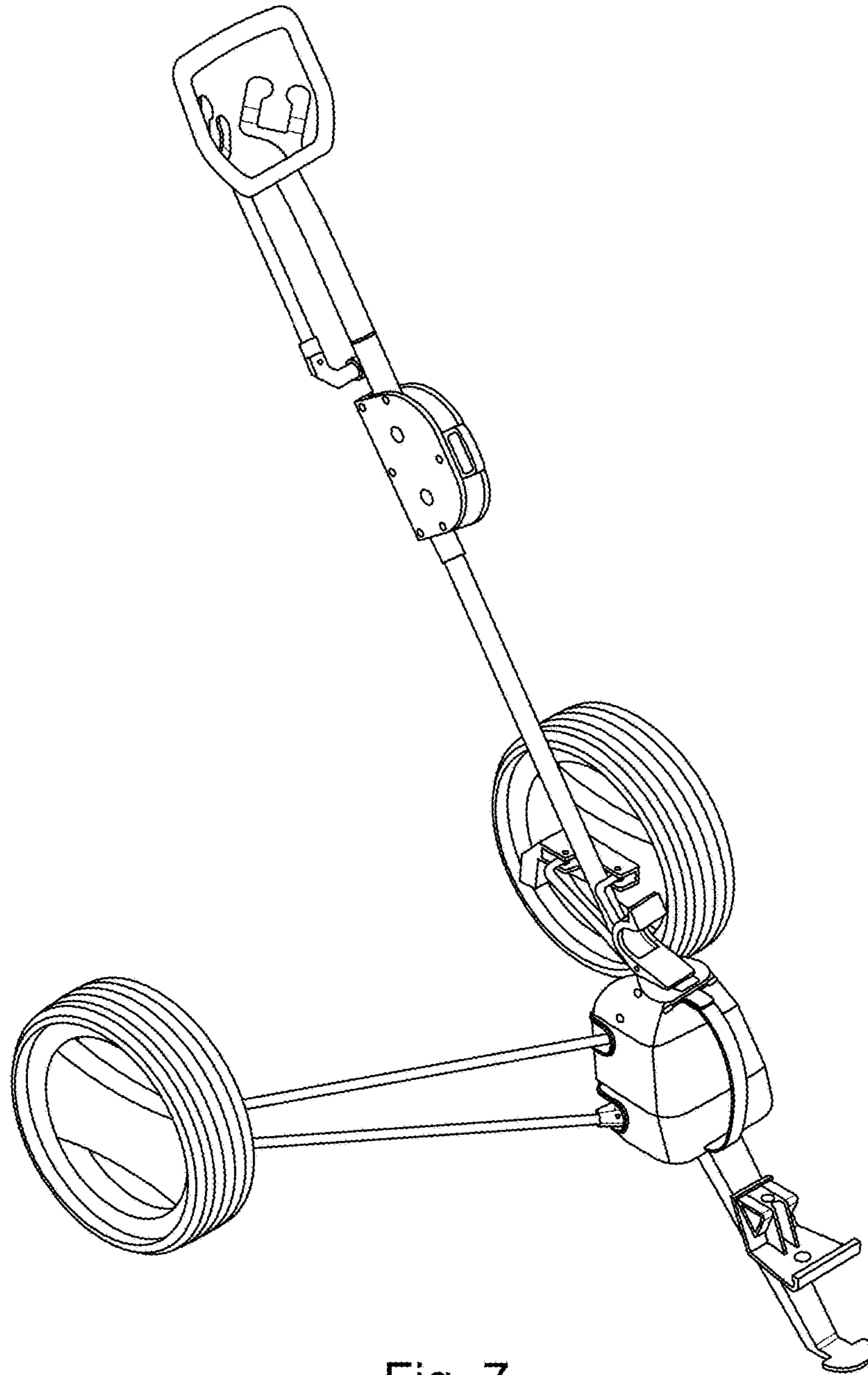


Fig. 7



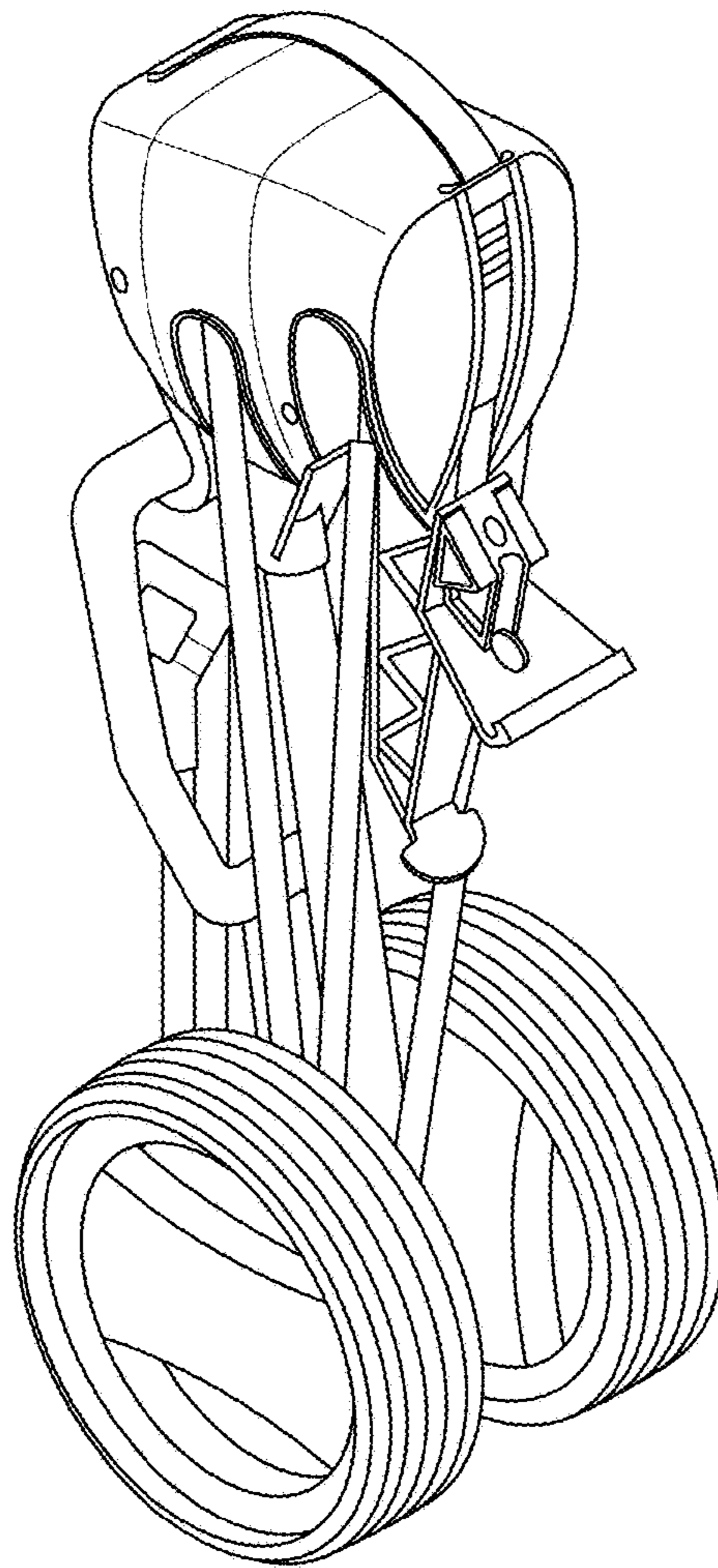


Fig. 8