



US00D846220S

(12) **United States Design Patent**
Kraemer

(10) **Patent No.:** **US D846,220 S**

(45) **Date of Patent:** **** Apr. 16, 2019**

(54) **DRAINAGE RACK**

(71) Applicant: **InterDesign, Inc.**, Solon, OH (US)

(72) Inventor: **Kevin Francis Kraemer**, Cuyahoga Falls, OH (US)

(73) Assignee: **InterDesign, Inc.**, Solon, OH (US)

(**) Term: **15 Years**

(21) Appl. No.: **29/571,044**

(22) Filed: **Jul. 14, 2016**

Related U.S. Application Data

(63) Continuation-in-part of application No. 29/516,882, filed on Feb. 6, 2015, now abandoned, and a continuation-in-part of application No. 29/509,596, filed on Nov. 19, 2014, now abandoned.

(51) **LOC (11) Cl.** **07-05**

(52) **U.S. Cl.**
USPC **D32/55**

(58) **Field of Classification Search**
USPC D32/55, 56, 57, 58, 65
CPC . A47J 47/00; A47J 47/16; A47J 47/20; B65D 35/02; B65D 35/22
See application file for complete search history.

(56) **References Cited**

U.S. PATENT DOCUMENTS

- 2,697,525 A * 12/1954 Breneman A47L 19/04 211/41.4
- 2,739,715 A * 3/1956 Planeta A47L 19/04 211/41.4
- D370,323 S * 5/1996 Lafond D32/55

- D538,496 S * 3/2007 Plikuhn D32/55
- D549,914 S * 8/2007 Eskandari D32/55
- D554,318 S * 10/2007 Yang D32/55
- D554,818 S * 11/2007 Murray D32/55
- D699,413 S * 2/2014 Huang D32/55
- D706,510 S * 6/2014 Lerner D32/55
- D723,236 S * 2/2015 Khaitan D32/55
- 9,427,135 B2 * 8/2016 Audet A47L 19/04
- D776,385 S * 1/2017 Evans D32/55
- D783,216 S * 4/2017 Huang D32/55
- D819,289 S * 5/2018 Umholtz D32/55
- D822,930 S * 7/2018 Green D32/55
- D825,874 S * 8/2018 Johnson D32/55

* cited by examiner

Primary Examiner — John Windmuller

Assistant Examiner — Steven J Czyz

(74) *Attorney, Agent, or Firm* — Calfee, Halter & Griswold, LLP

(57) **CLAIM**

I claim the ornamental design for a drainage rack, as shown and described.

DESCRIPTION

FIG. 1 is a front/left/top perspective view of a dish drainer; front/right/top perspective view would be a mirror image thereof;

FIG. 2 is a rear/right/bottom perspective view thereof; a rear/left/bottom perspective view would be a mirror image thereof;

FIG. 3 is a top plan view thereof;

FIG. 4 is a front elevational view thereof; and,

FIG. 5 is a left side elevational view thereof.

The broken lines depict portions that form no part of the claimed design.

1 Claim, 4 Drawing Sheets

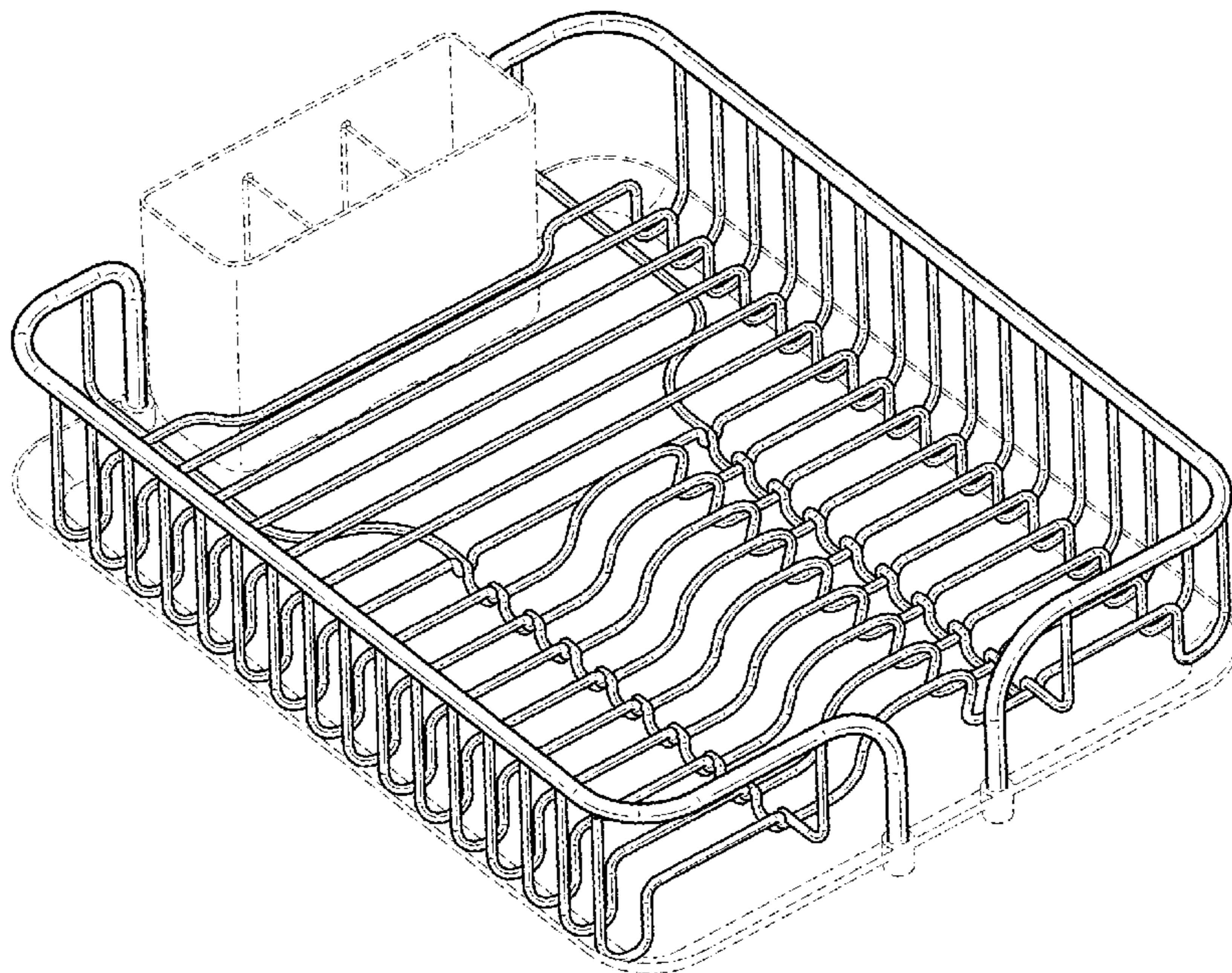


FIG. 1

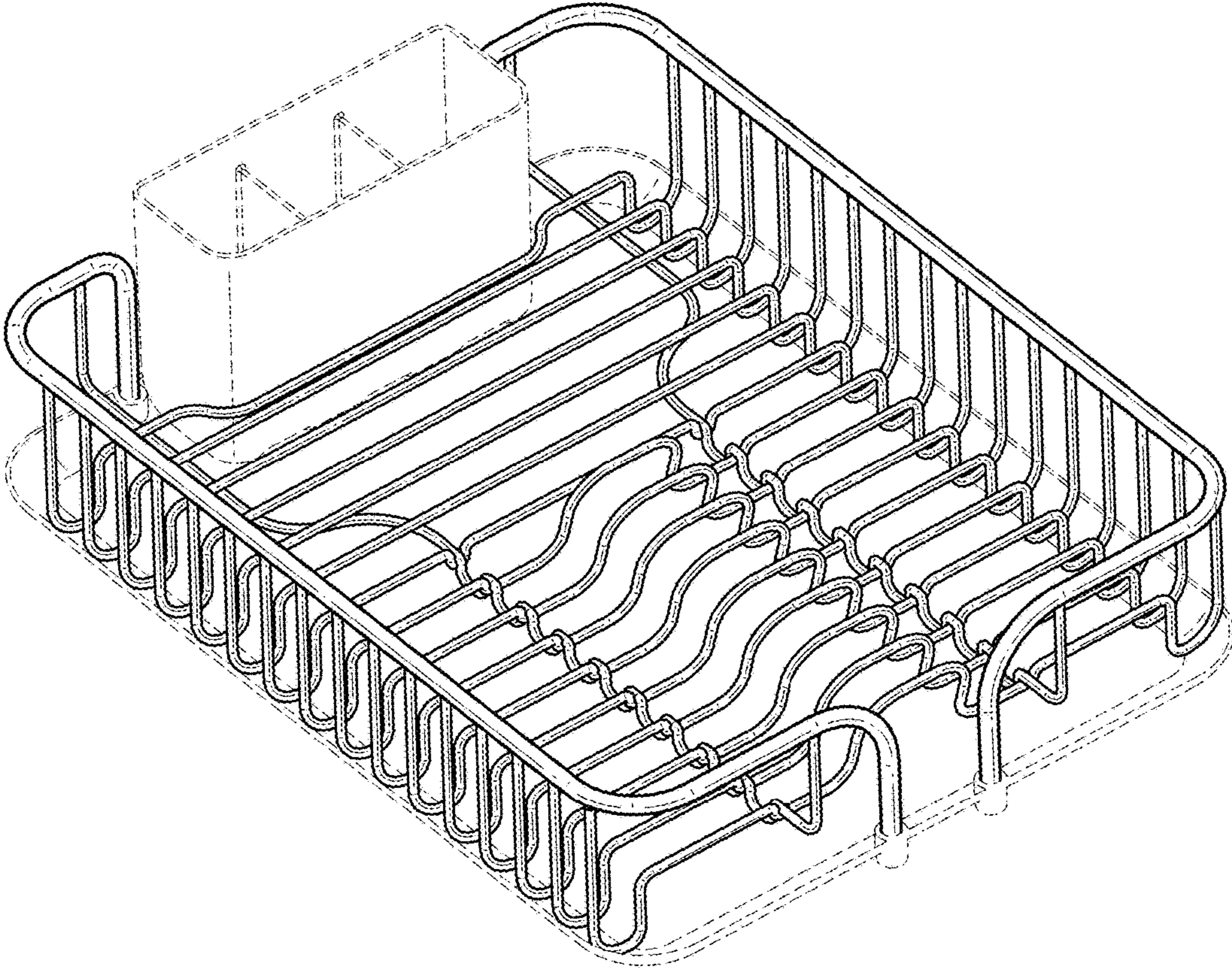
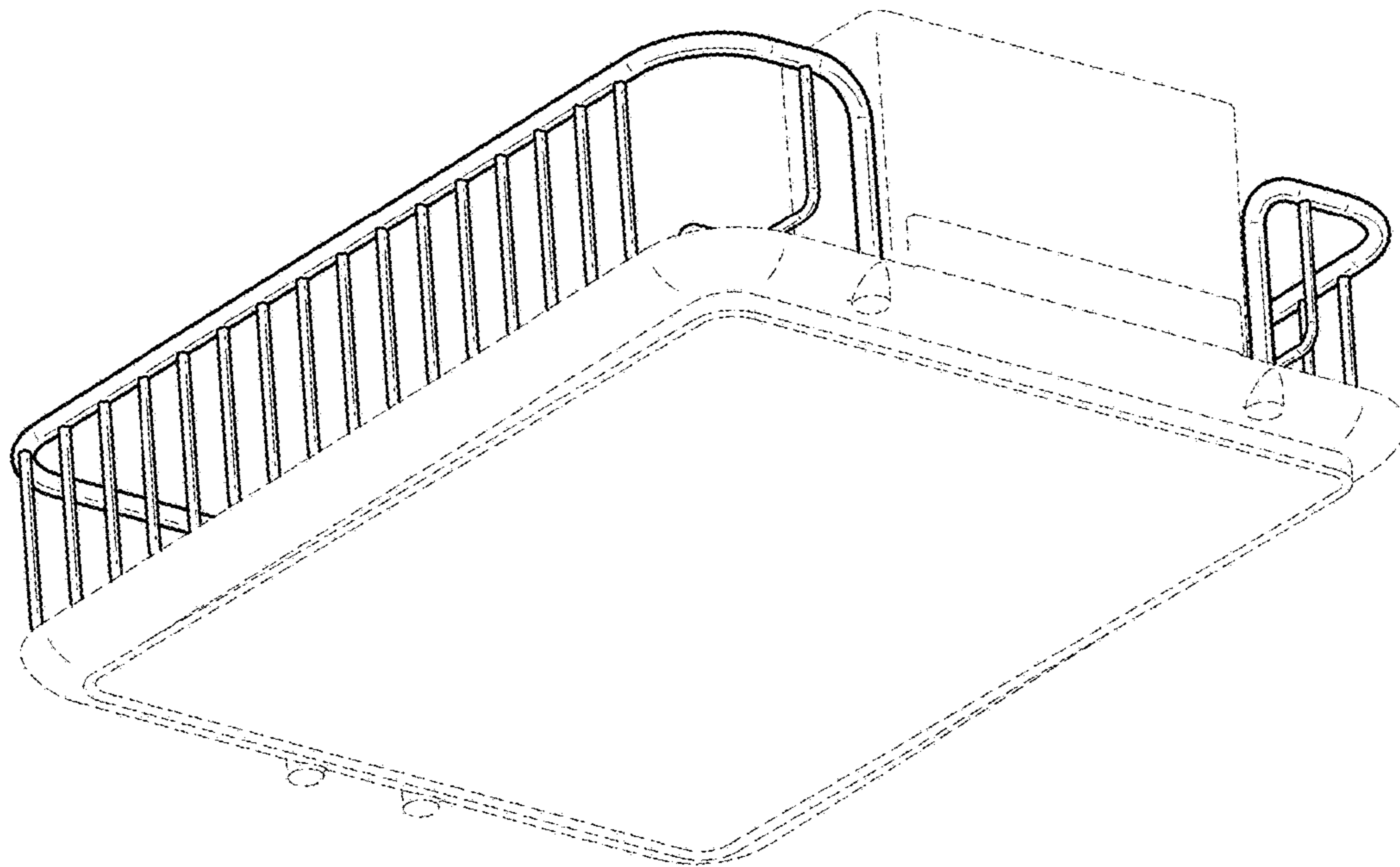


FIG. 2



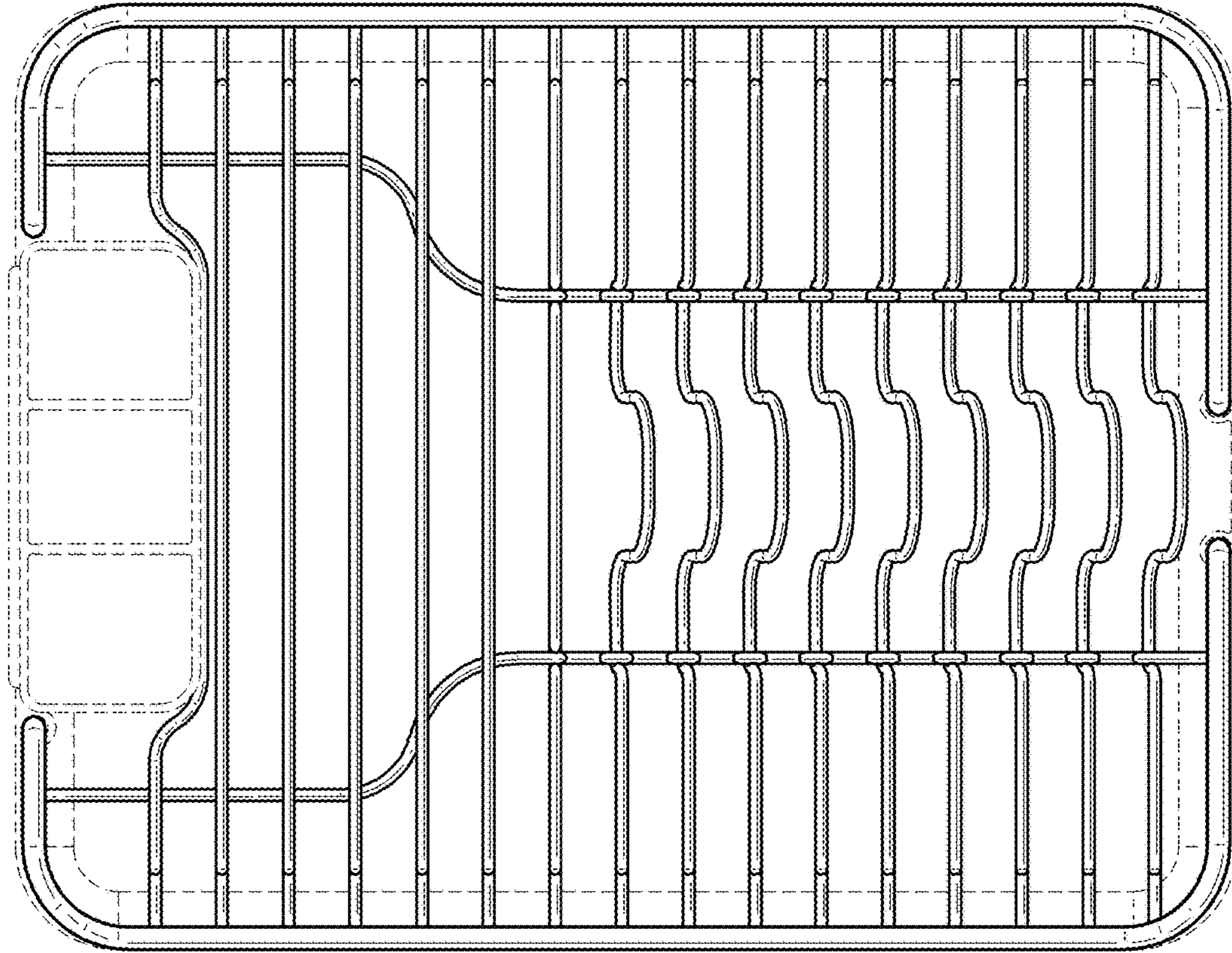


FIG. 3

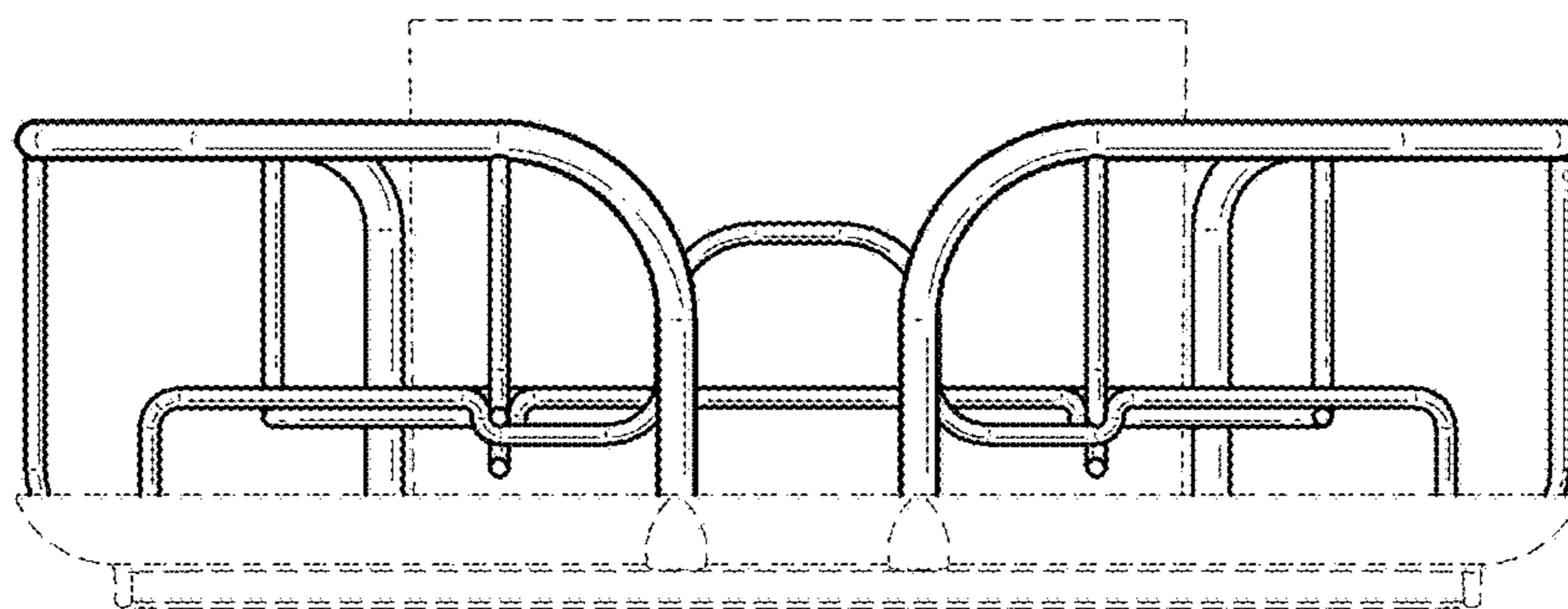


FIG. 4

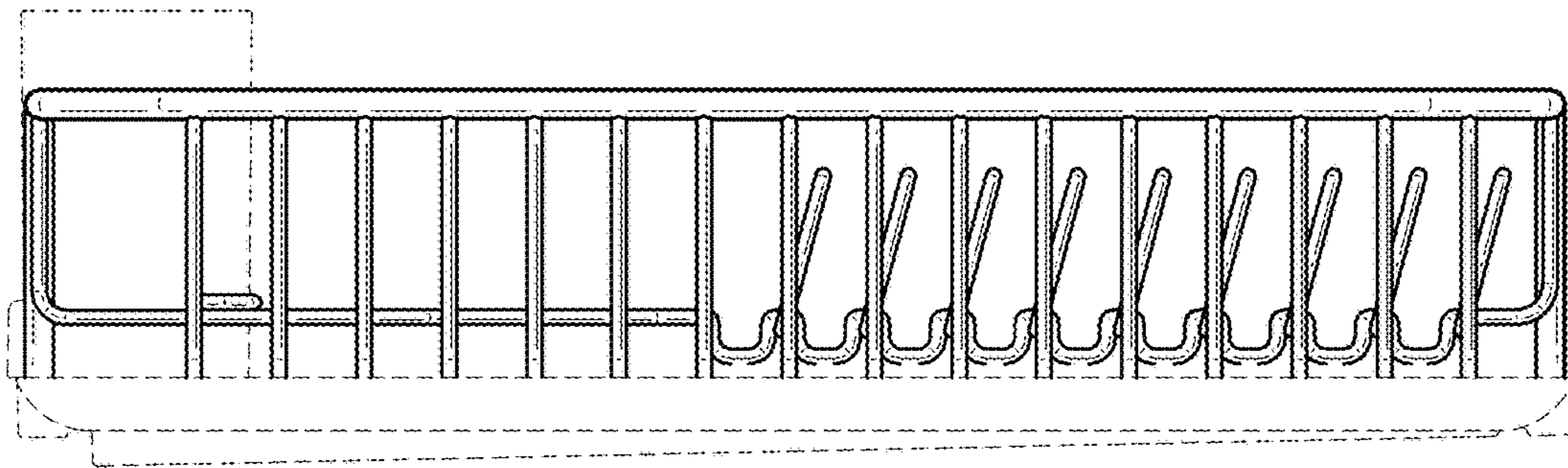


FIG. 5