



US00D846219S

(12) **United States Design Patent** (10) **Patent No.:** **US D846,219 S**
Danko (45) **Date of Patent:** **** Apr. 16, 2019**

(54) **CLEANING TOOL**

(71) Applicant: **Aileen Danko**, Plantation, FL (US)

(72) Inventor: **Aileen Danko**, Plantation, FL (US)

(**) Term: **15 Years**

(21) Appl. No.: **29/577,491**

(22) Filed: **Sep. 13, 2016**

(51) **LOC (11) Cl.** **15-05**

(52) **U.S. Cl.**
USPC **D32/50**

(58) **Field of Classification Search**
USPC D32/35, 41, 49, 50, 51; D4/132, 135, D4/199

CPC A46B 2200/30; A46B 2200/3006; A46B 2200/3013; A46B 2200/302; A46B 2200/3026; A46B 2200/3033; A46B 2200/304; A46B 2200/3046; A46B 2200/3053; A46B 2200/306; A46B 2200/3066; A46B 2200/3073; A46B 2200/308; A46B 2200/3086; A46B 2200/3093; A47L 113/20; A47L 13/52
See application file for complete search history.

(56) **References Cited**

U.S. PATENT DOCUMENTS

D284,897 S *	7/1986	Rubio	D32/50
D325,454 S *	4/1992	Schmidt	D32/51
D364,962 S *	12/1995	Vosbikian	D4/132
D404,923 S *	2/1999	Diaz	D4/115
D412,248 S *	7/1999	Berti	D32/50
D468,106 S *	1/2003	Robertson	D32/74
D473,028 S *	4/2003	Hay	D32/41
D492,489 S *	7/2004	Hay	D32/74
D496,509 S *	9/2004	Petner	D32/42

D509,659 S *	9/2005	Weaver	D4/135
D509,661 S *	9/2005	Berti	D4/199
D539,997 S *	4/2007	Hay	D32/35
D551,819 S *	9/2007	Kohs	D32/49
D584,022 S *	12/2008	Sampaio	D32/50
D597,719 S *	8/2009	McNeil	D32/51
D621,622 S *	8/2010	Giacolo	D4/199
D627,978 S *	11/2010	Libman	D4/199
D630,022 S *	1/2011	Giacolo	D4/199
D694,483 S *	11/2013	Hines	D32/50
D714,006 S *	9/2014	Sanchez	A46B 17/00
			D32/35
D782,142 S *	3/2017	Troger	D32/50

* cited by examiner

Primary Examiner — Michelle E. Wilson

(74) *Attorney, Agent, or Firm* — Nancy J. Flint, Attorney at Law, P.A.; Nancy J. Flint, Esq.

(57) **CLAIM**

The ornamental design for a cleaning tool, as shown and described.

DESCRIPTION

FIG. 1 is a front perspective view of a cleaning tool showing my new design;

FIG. 2 is a left side view of the cleaning tool;

FIG. 3 is a top view of the cleaning tool;

FIG. 4 is a bottom view of the cleaning tool;

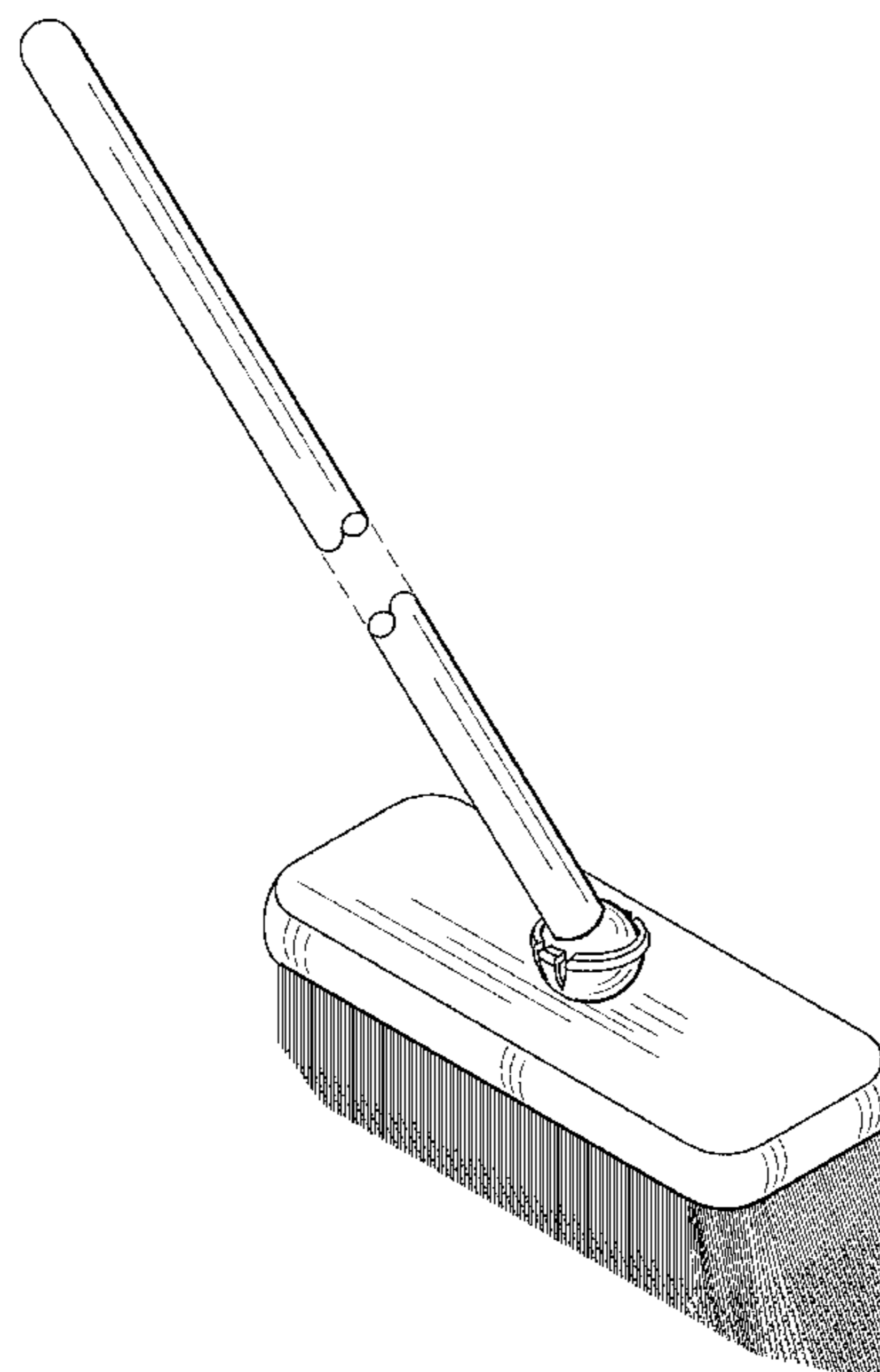
FIG. 5 is a rear view of the cleaning tool; and,

FIG. 6 is a front view of the cleaning tool.

The right side views that not shown, are mirror images of the left side views.

The broken away symbols in the drawings indicate that any portion of the article beyond what is shown forms no part of the claimed design.

1 Claim, 4 Drawing Sheets



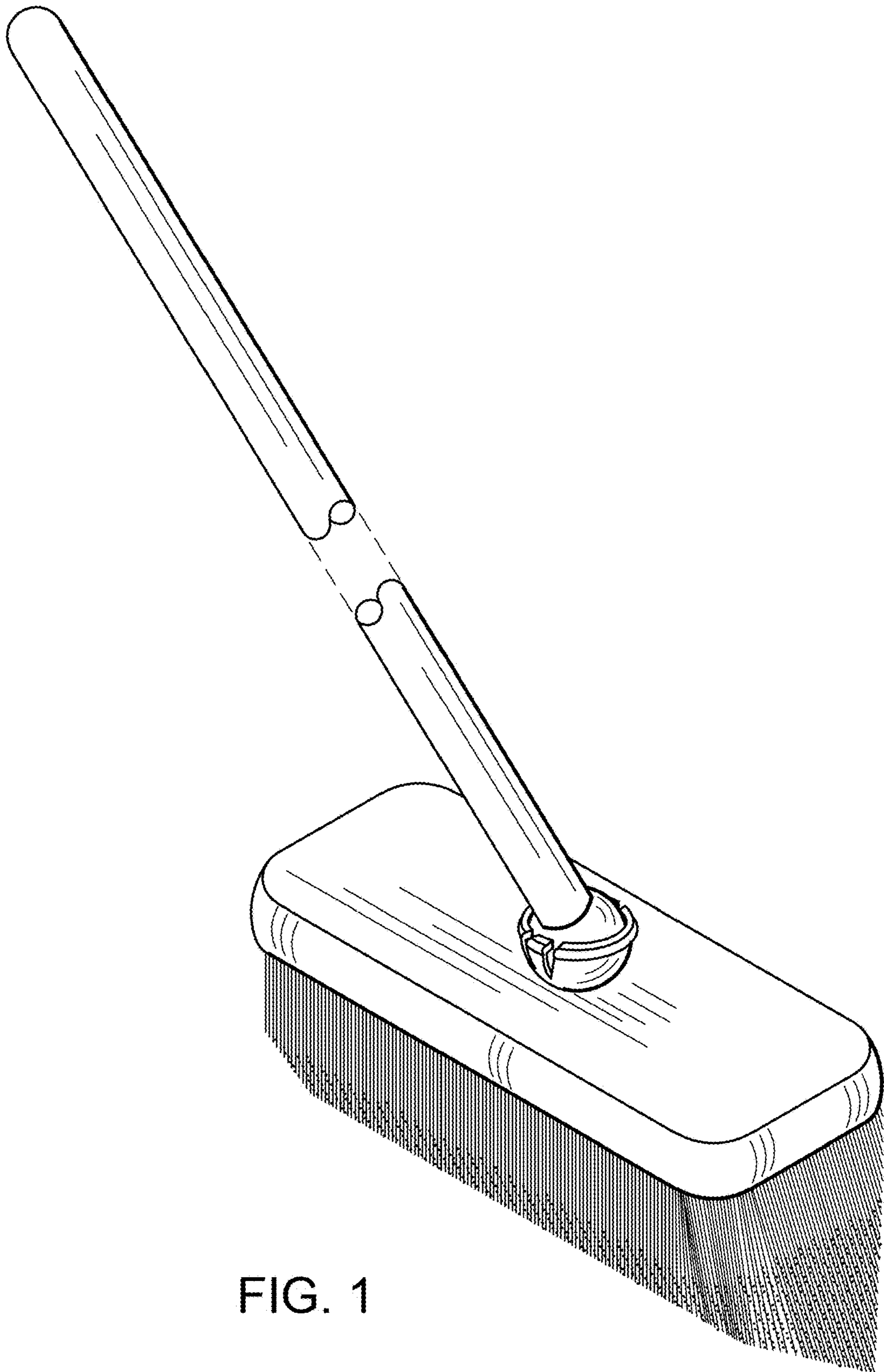


FIG. 1

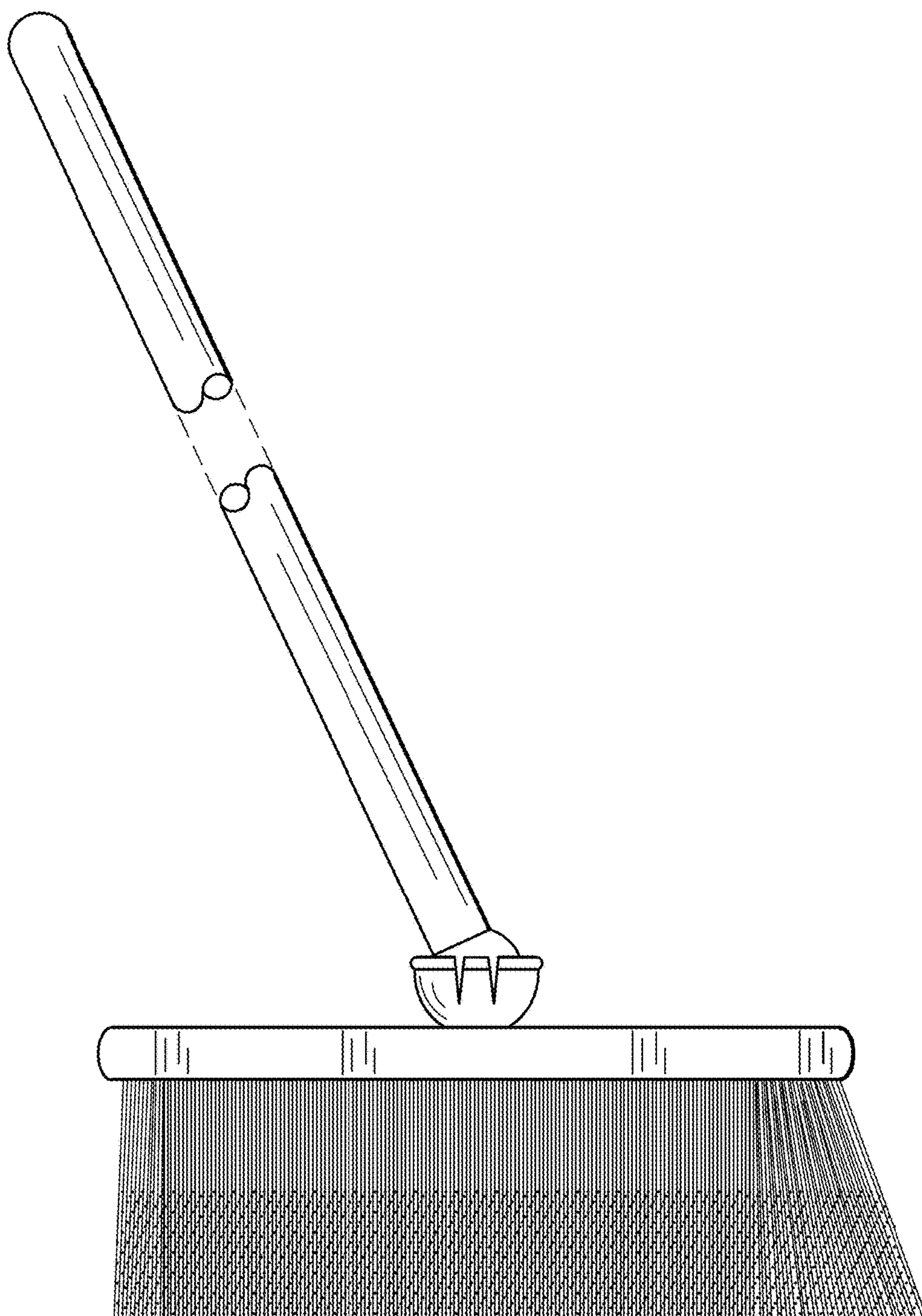


FIG. 2

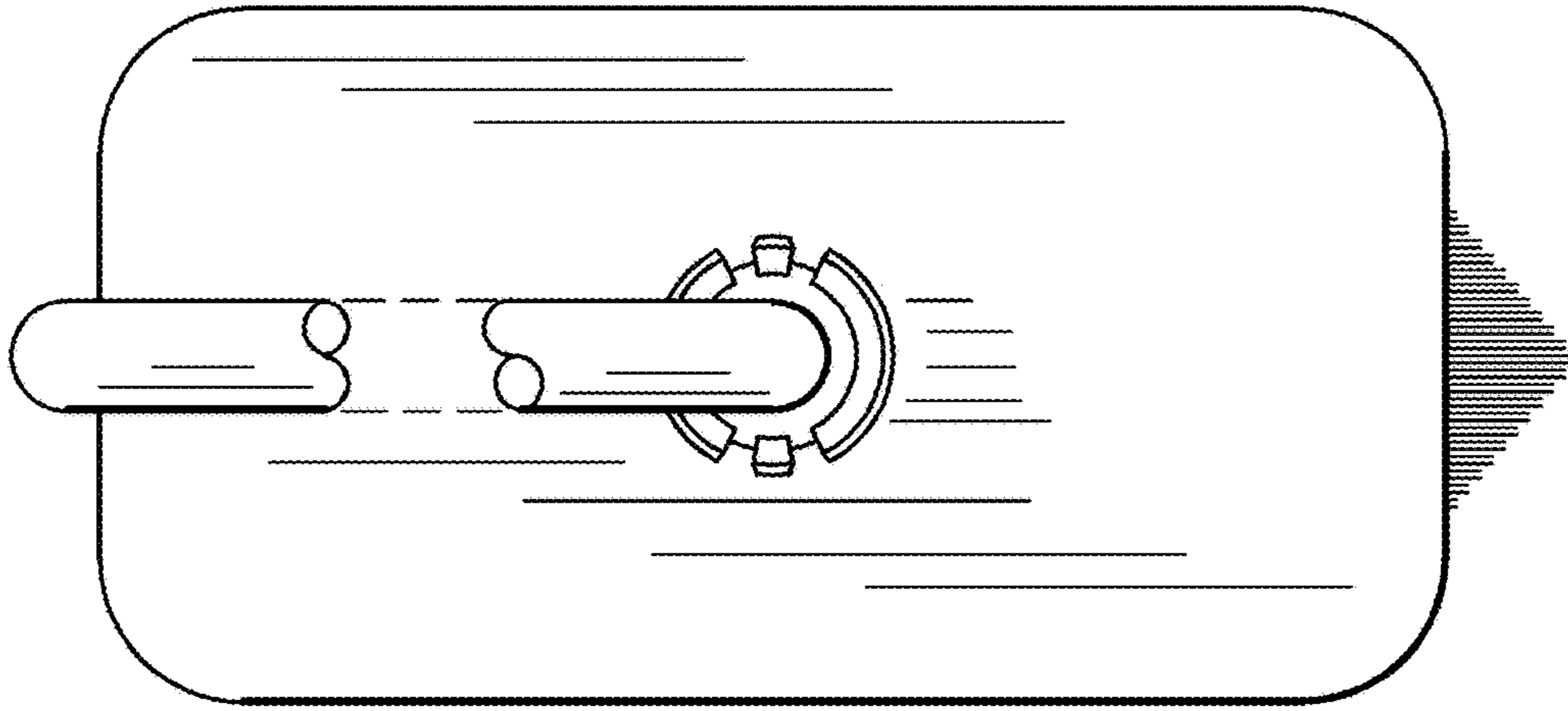


FIG. 3

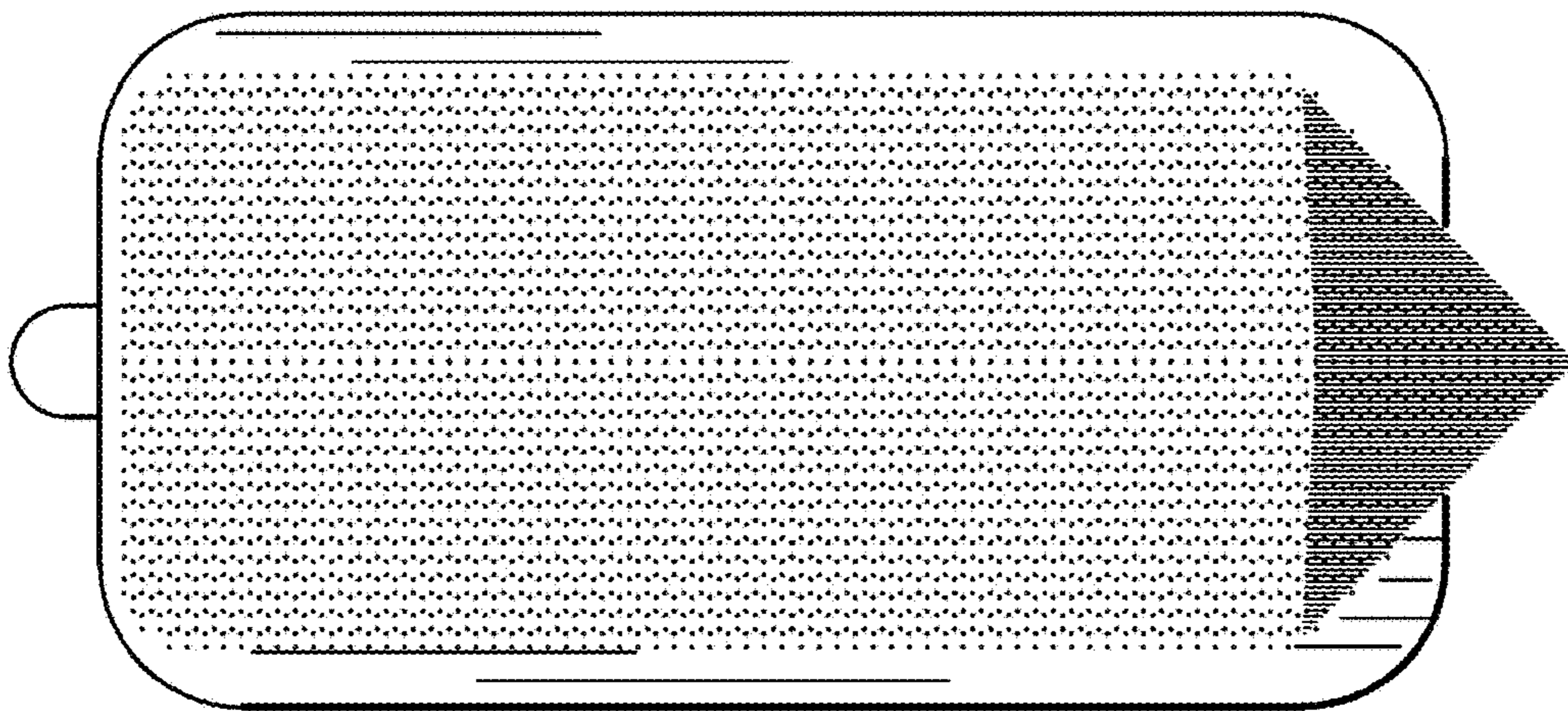


FIG. 4

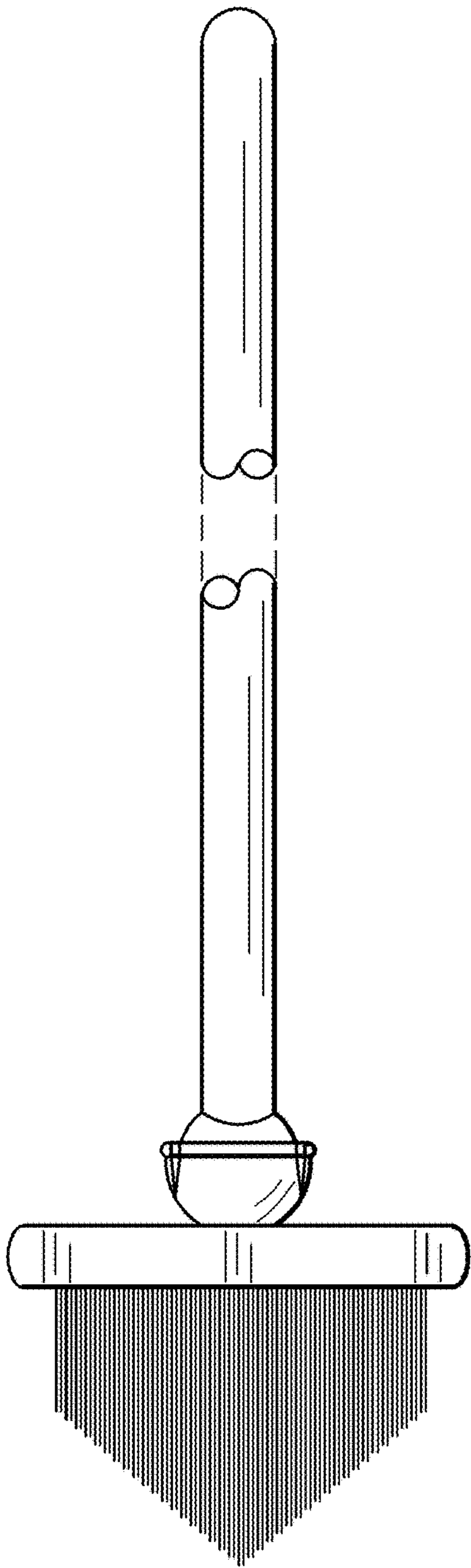


FIG. 5

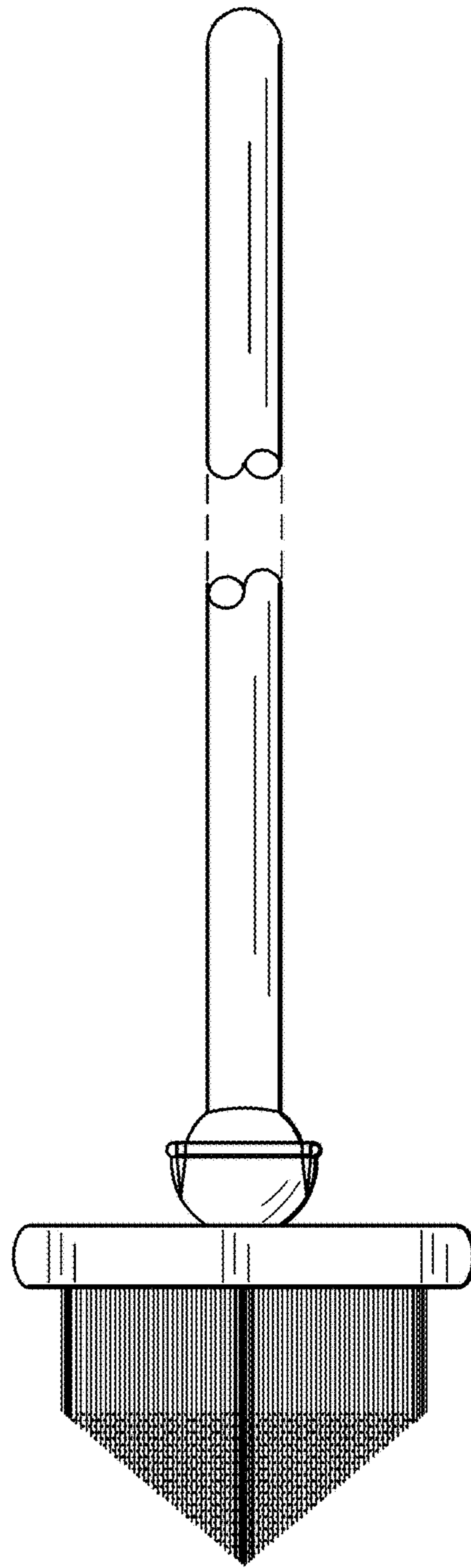


FIG. 6