



US00D846217S

(12) **United States Design Patent** (10) **Patent No.:** **US D846,217 S**
Gavney, Jr. et al. (45) **Date of Patent:** **** Apr. 16, 2019**

(54) **SQUEEGEE SPONGE**
(71) Applicant: **CLEAN MATE INC.**, San Mateo, CA (US)
(72) Inventors: **James A. Gavney, Jr.**, Sunnyvale, CA (US); **Jerome Mix**, Redwood City, CA (US)
(73) Assignee: **CLEAN MATE INC.**, San Mateo, CA (US)

(**) Term: **15 Years**

(21) Appl. No.: **29/651,166**

(22) Filed: **Jan. 25, 2018**

(51) **LOC (11) Cl.** **07-05**

(52) **U.S. Cl.**
USPC **D32/40**

(58) **Field of Classification Search**
USPC D32/40-43; D5/1-4, 7, 11; D14/230; D4/103
CPC A47L 13/17; A47L 13/20; A47L 13/254; A47L 13/16; A47L 13/12; A47L 13/10; A47L 1/06; B08B 3/00; B32B 5/02; B24B 7/18
See application file for complete search history.

(56) **References Cited**

U.S. PATENT DOCUMENTS

- 2,687,729 A * 8/1954 Slavin A61F 6/08 15/244.4
- D392,433 S * 3/1998 Norris D32/40
- D406,681 S * 3/1999 Kelly D32/40
- D414,813 S * 10/1999 Browning D20/22
- D464,472 S * 10/2002 Haro D32/40
- D506,299 S * 6/2005 Chumley D28/63
- D516,762 S * 3/2006 Young D28/63
- D518,260 S * 3/2006 Aubourg D32/40
- D548,414 S * 8/2007 Akin D32/40
- D553,316 S * 10/2007 Poizeau D32/40

- D556,966 S * 12/2007 Herbrand D32/40
- D589,220 S * 3/2009 Leahy D32/40
- D589,231 S * 3/2009 Kubantseva D1/121
- D604,469 S * 11/2009 Rolstad D32/40
- D623,422 S * 9/2010 Williams D5/57
- D636,955 S * 4/2011 Armaly, Jr. D32/40
- D657,925 S * 4/2012 Luipold D32/40
- D659,327 S * 5/2012 Davis D32/40
- D667,187 S * 9/2012 Sowinski D32/40
- D704,403 S * 5/2014 Vitucci-Schneider D32/40

(Continued)

FOREIGN PATENT DOCUMENTS

- CN 302276161 * 1/2013
- CN 304312125 * 10/2017
- JP D1105032 * 4/2001

OTHER PUBLICATIONS

Clean Mate—Bay Area Web Solutions, website 2018, <https://www.bayarea-websolutions.com/portfolio/clean-mate/>, site visited Dec. 10, 2018.*

(Continued)

Primary Examiner — John Windmuller
Assistant Examiner — John R Yeh
(74) *Attorney, Agent, or Firm* — JAG Patent Services; James A. Gavney, Jr.

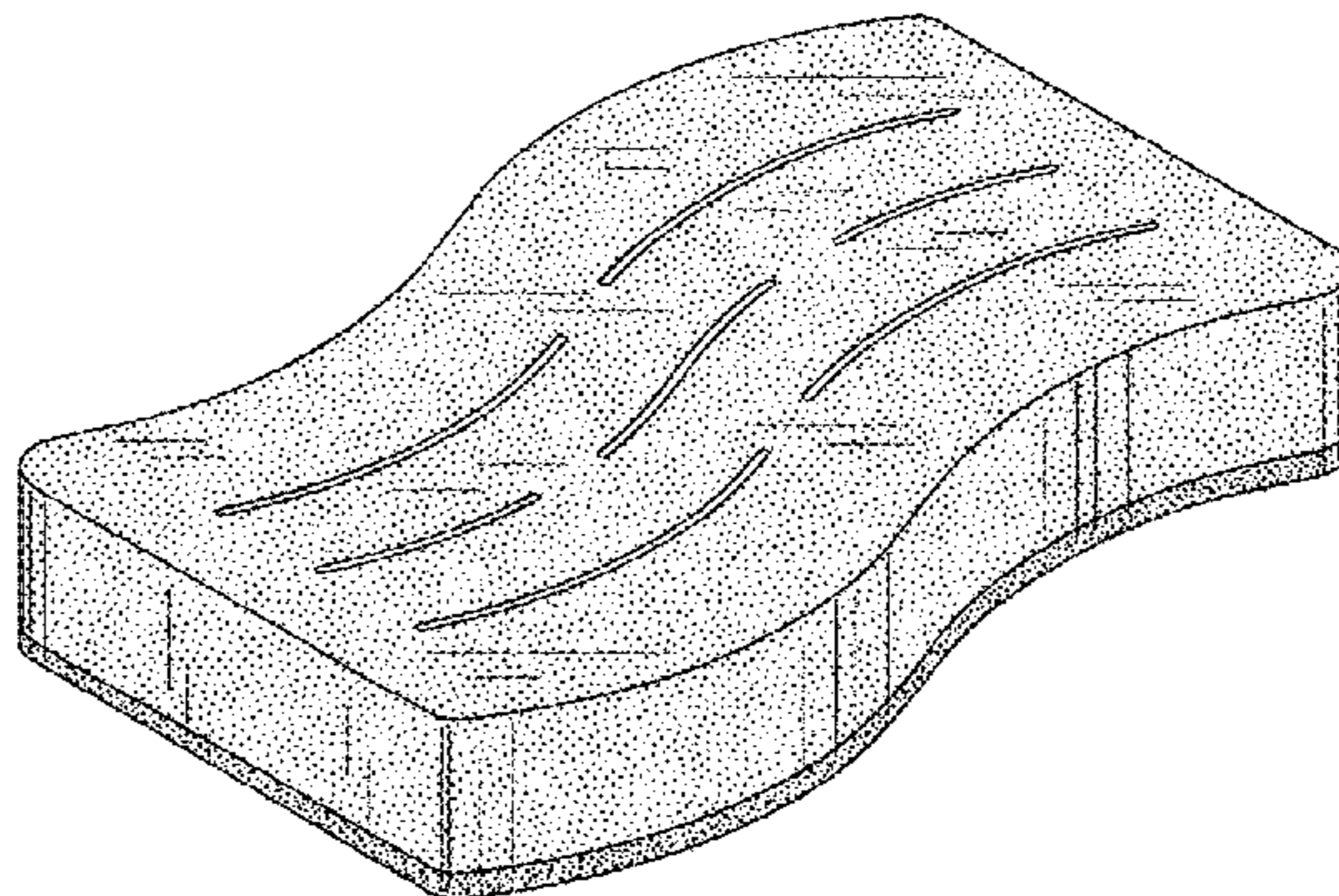
(57) **CLAIM**

We claim the ornamental design for a squeegee sponge, as shown and described.

DESCRIPTION

FIG. 1 is a top perspective view of a squeegee sponge showing our new design; FIG. 2 is a right or left side plan view thereof; FIG. 3 is a front or back plan view thereof; FIG. 4 is a top plan view thereof; and, FIG. 5 is a bottom plan thereof.

1 Claim, 2 Drawing Sheets



(56)

References Cited

U.S. PATENT DOCUMENTS

D708,805 S * 7/2014 Mehdizadeh D32/40
D719,710 S * 12/2014 Olson D32/40
D834,280 S * 11/2018 Michel D1/100
2005/0125923 A1* 6/2005 Benjamin A47K 7/03
15/104.94
2012/0284942 A1* 11/2012 Gavney, Jr. A46B 9/005
15/121

OTHER PUBLICATIONS

Amazon.com: Clean Mate Squeegee Sponge reviews 2018, <https://www.amazon.com/Clean-Mate-Squeegee-Sponge-Non-Scratch/dp/B07BPGF4BN#customerReviews>, site visited Dec. 10, 2018.*

* cited by examiner

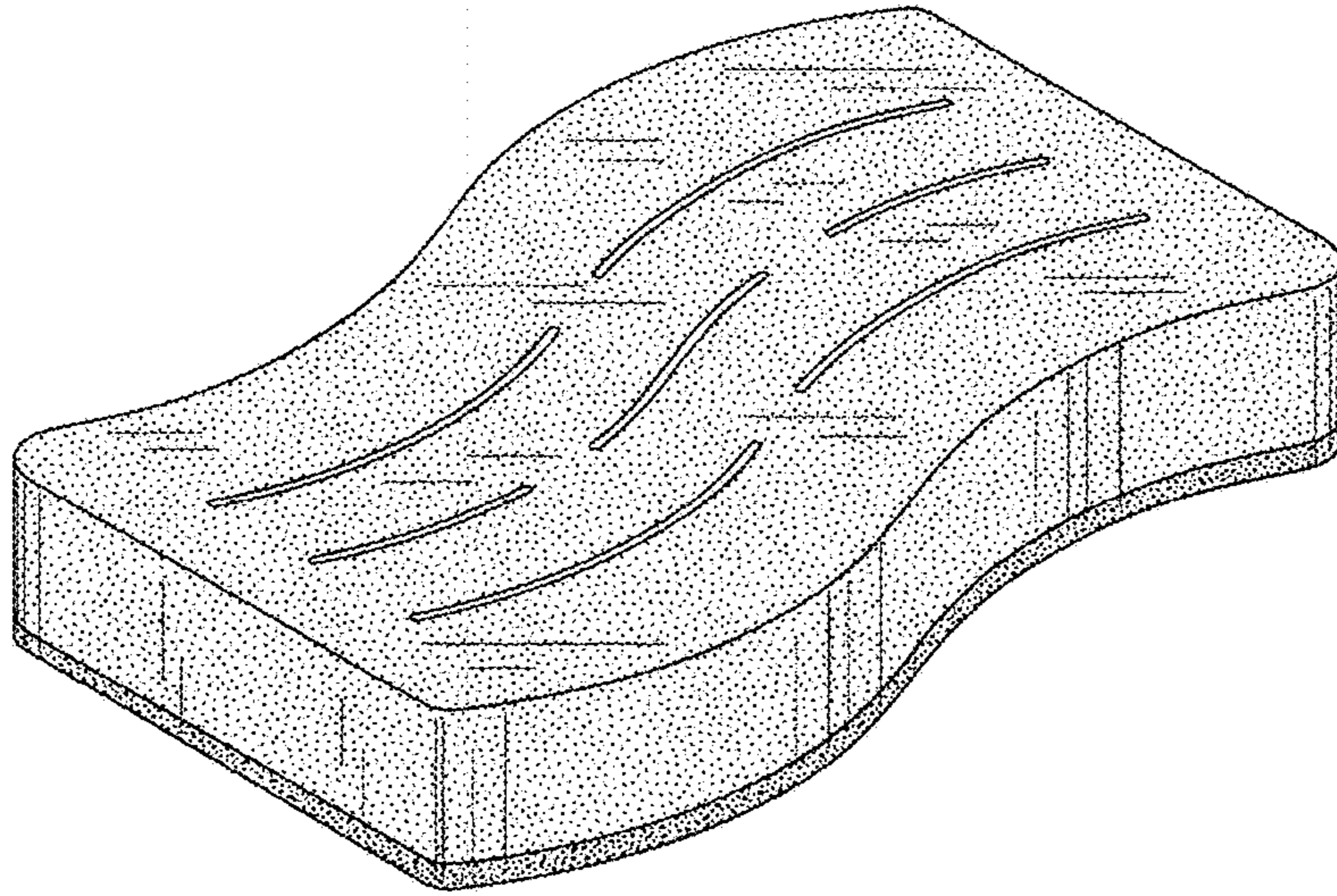


FIG. 1

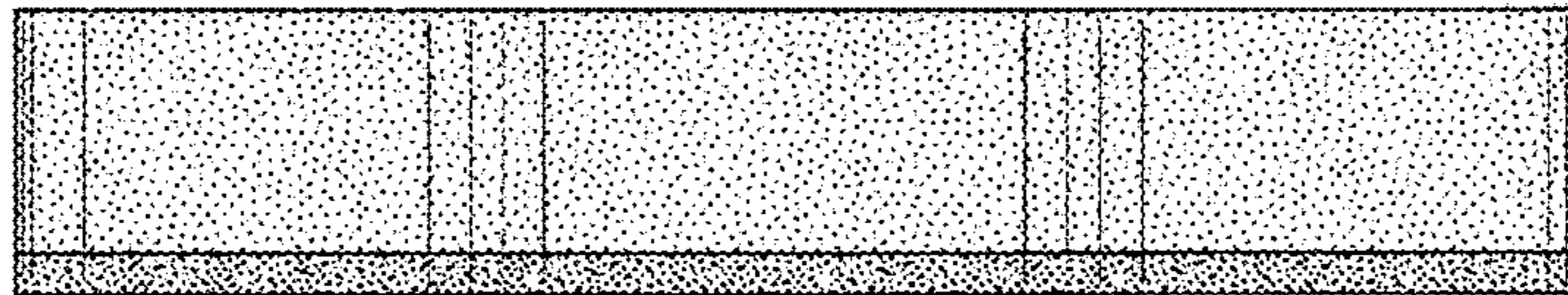


FIG. 2

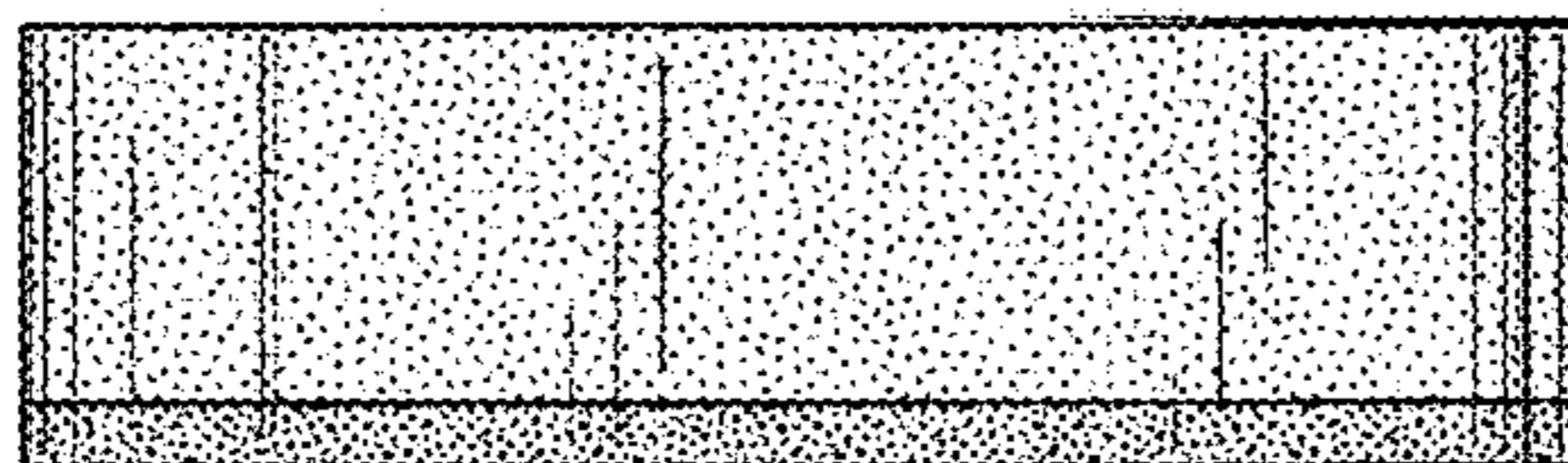


FIG. 3

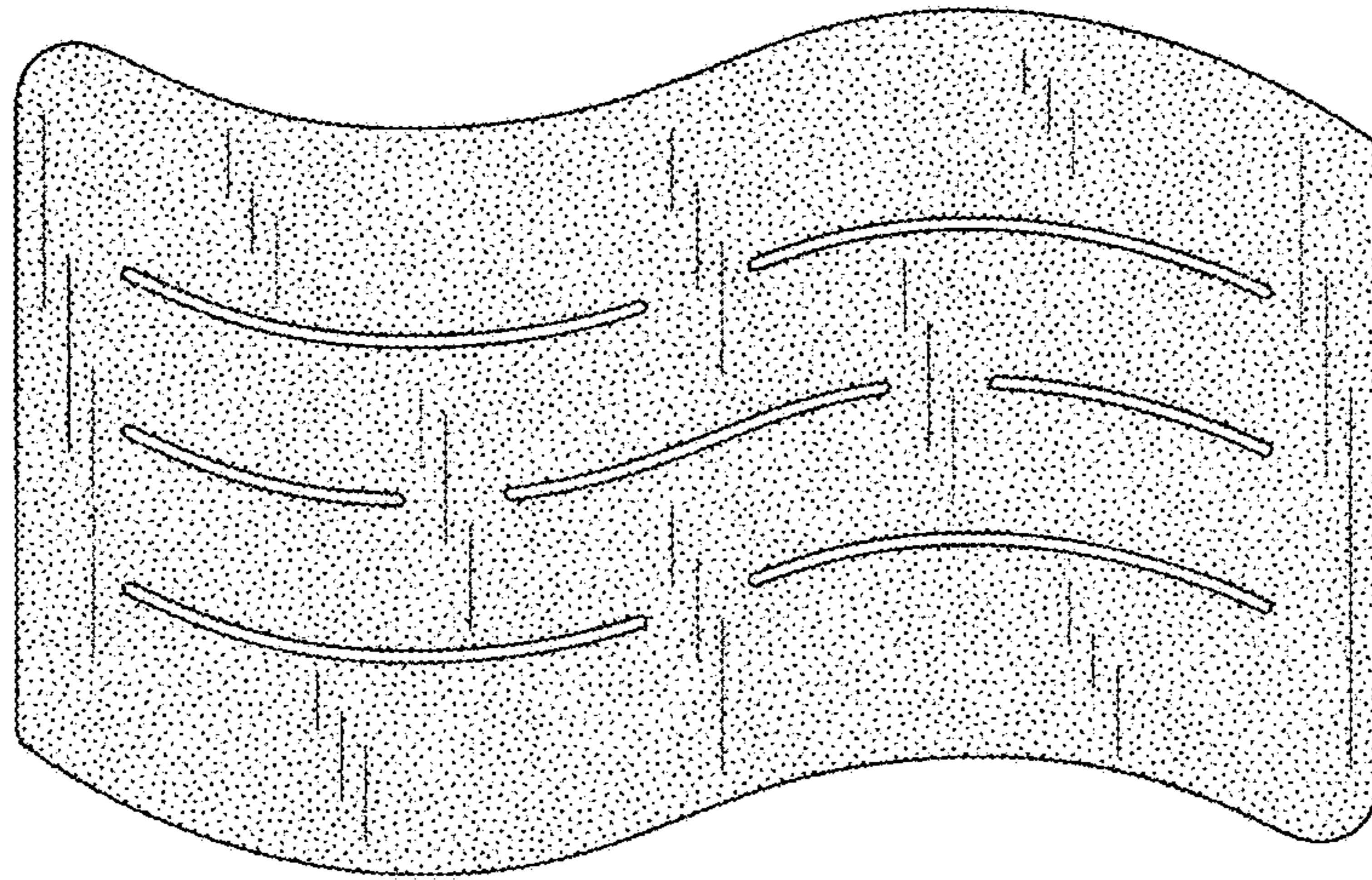


FIG. 4

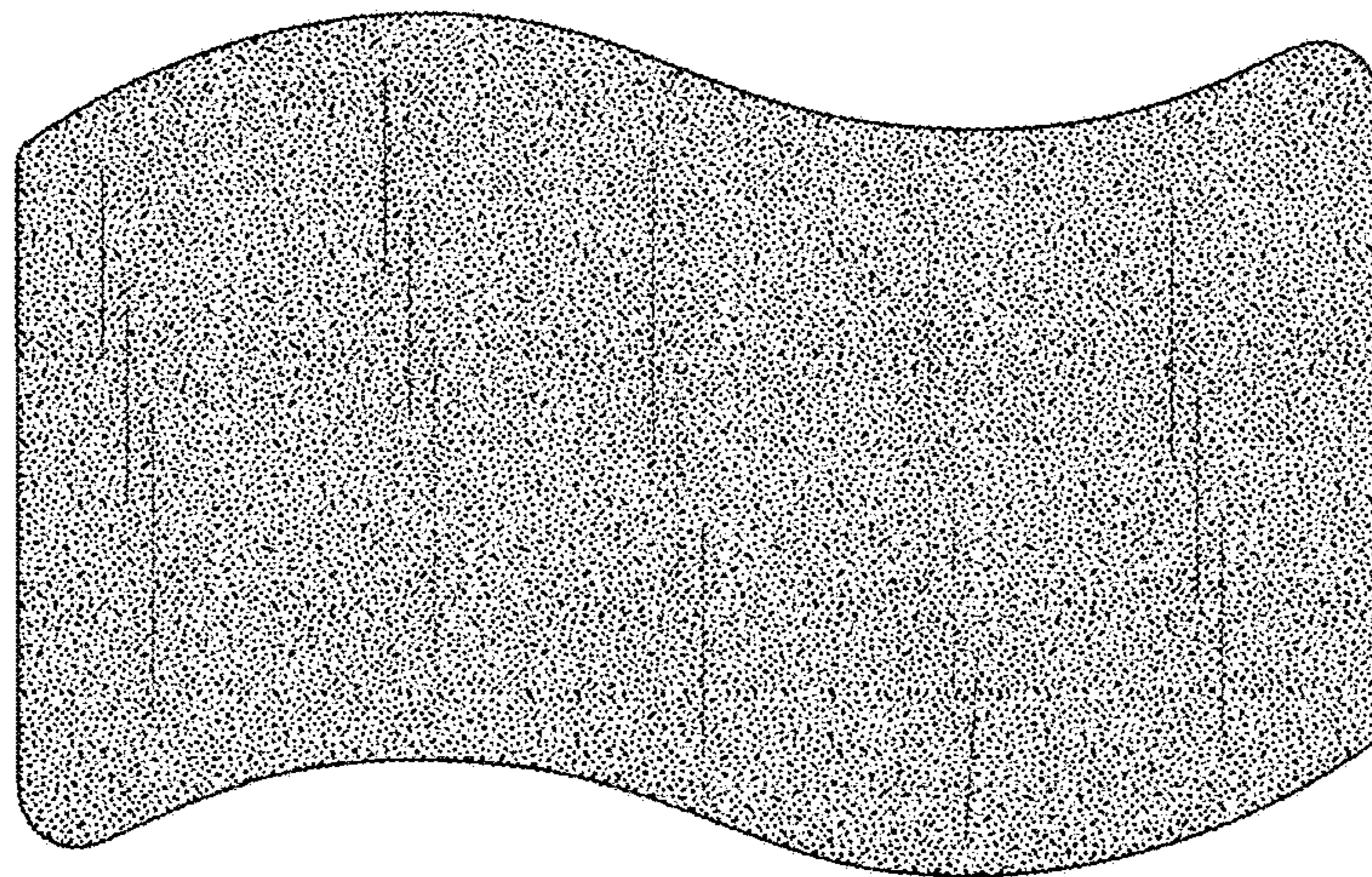


FIG. 5