



US00D846216S

(12) **United States Design Patent** (10) **Patent No.:** **US D846,216 S**
Hamilton (45) **Date of Patent:** **** Apr. 16, 2019**

(54) **HANDHELD DETAILER**
(71) Applicant: **Lilly Brush Company, LLC**,
Englewood, CO (US)
(72) Inventor: **Elsie Cryder Hamilton**, Englewood,
CO (US)
(73) Assignee: **LILLY BRUSH COMPANY, LLC**,
Englewood, CO (US)

3,120,019 A 2/1964 Scott
3,230,566 A * 1/1966 Moody E04F 21/165
15/235.3
D208,190 S * 8/1967 Parry D32/46
3,765,046 A 10/1973 Tsuruzawa
D229,160 S * 11/1973 Meyer D28/63
D241,603 S * 9/1976 MacNeil D7/691
4,042,995 A 8/1977 Varon
(Continued)

(**) Term: **15 Years**

GB 2191392 A 12/1987
GB 2085421 * 10/1999

(21) Appl. No.: **29/626,524**

FOREIGN PATENT DOCUMENTS

(22) Filed: **Nov. 17, 2017**

(51) **LOC (11) Cl.** **07-05**

(52) **U.S. Cl.**
USPC **D32/40**

(58) **Field of Classification Search**
USPC D32/40-43, 46-47; D8/101, 107, 45;
D14/230
CPC ... A47L 1/06; A47L 1/00; A47L 13/20; A47L
13/254; A47L 13/11; A47L 13/10; A47L
13/16; A47L 13/12; G03D 15/02; F16K
1/22; B60S 1/38; A47K 7/03; B41F
15/40; B41F 15/42; B41F 15/14; B41F
15/44

See application file for complete search history.

OTHER PUBLICATIONS

Lilly Brush Mini Pet Hair Detailer, Autogeek review 2018, <https://www.autogeek.net/lilly-pet-hair-brush.html>, site visited Sep. 19, 2018.*

(Continued)

Primary Examiner — John Windmuller
Assistant Examiner — John R Yeh
(74) *Attorney, Agent, or Firm* — Thompson Coburn LLP

(57) **CLAIM**

The ornamental design for a handheld detailer, as shown and described.

(56) **References Cited**

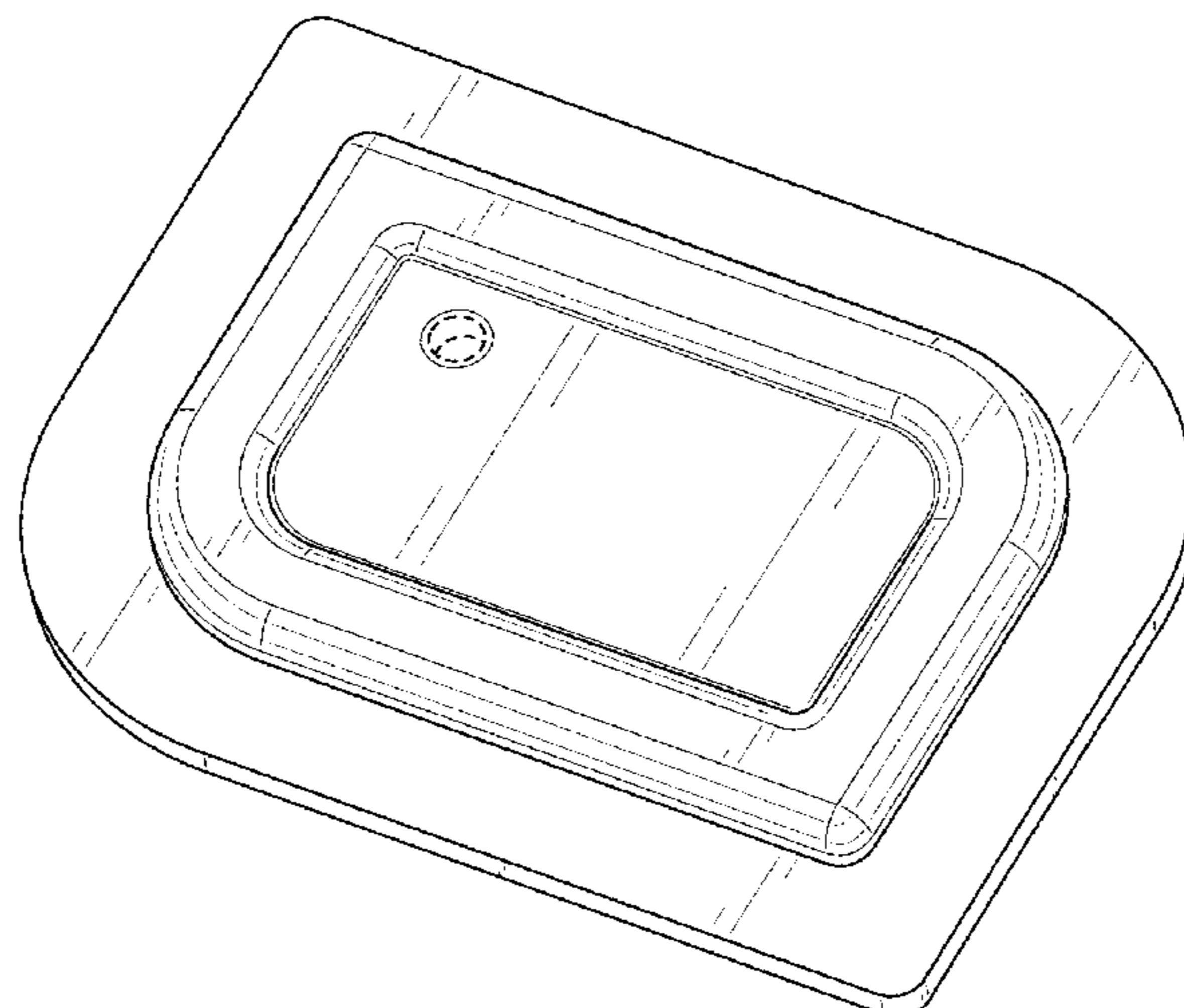
U.S. PATENT DOCUMENTS

D19,979 S * 7/1890 Spruill D32/46
532,462 A * 1/1895 Humphrey A47L 13/18
15/227
D32,484 S * 4/1900 Bowles D32/46
1,388,282 A * 8/1921 Meredith A47L 17/06
15/245
1,804,415 A 5/1931 Leonard
2,380,855 A * 7/1945 Lower A47L 13/08
15/236.05
2,637,893 A 5/1953 Shaw
3,087,223 A 4/1963 Raw

DESCRIPTION

FIG. 1 is a perspective view of the handheld detailer showing my new design;
FIG. 2 is a front view thereof;
FIG. 3 is a rear view thereof;
FIG. 4 is a right view thereof;
FIG. 5 is a left view thereof;
FIG. 6 is a top view thereof; and,
FIG. 7 is a bottom view thereof.
The broken lines represent environment of the handheld detailer that form no part of the claimed design.

1 Claim, 7 Drawing Sheets



(56)

References Cited

U.S. PATENT DOCUMENTS

D254,703 S * 4/1980 Seres D14/261
 D261,601 S * 11/1981 Kettlestrings D32/40
 D269,944 S * 8/1983 Young D32/40
 4,639,965 A 2/1987 Suzuki
 D332,160 S * 12/1992 Kuzma D32/41
 D339,889 S * 9/1993 Kessler D32/40
 D343,559 S * 1/1994 Liberty D8/45
 D348,986 S 7/1994 Ross
 D358,011 S * 5/1995 Decarli D32/46
 5,467,495 A 11/1995 Boland et al.
 D401,243 S * 11/1998 Guttadauro D14/230
 D401,595 S * 11/1998 Guttadauro D14/230
 5,850,660 A 12/1998 O'Halloran
 6,086,373 A 7/2000 Schiff et al.
 D477,700 S * 7/2003 Chezzi D32/40
 D503,316 S * 3/2005 Webb D32/46
 6,901,622 B2 6/2005 Thompson et al.
 D511,873 S * 11/2005 Vitantonio D32/40
 D513,813 S * 1/2006 Avery D28/44.1

D514,763 S * 2/2006 Lyall, III D32/46
 7,503,093 B2 3/2009 Weihrauch
 7,644,466 B2 1/2010 Weihrauch et al.
 D624,720 S * 9/2010 Motsenbocker D32/46
 D706,109 S * 6/2014 McGarrity A47K 13/10
 D8/307

2010/0293733 A1 11/2010 Hebebrand
 2011/0258790 A1 10/2011 Cole
 2012/0311800 A1 12/2012 Lew

OTHER PUBLICATIONS

China Somitape Sh102 High Performance Hand-Held Cotton Squeegee, MadeinChina website 2018, <https://somitape.en.made-in-china.com/...a-Somitape-Sh102-High-Performance-Hand-Held-Cotton-Squeegee-for-Cleaning-and-Printing.html>, site visited Sep. 19, 2018.*
 "Pill (textiles)", http://en.wikipedia.org/wiki/Pill_textile, accessed Jan. 4, 2018.
 "USU Extension: Caring for Your Sweaters", Jan. 24, 2008, <http://studio5.ksl.com/?nid=58&sid=2535009>.

* cited by examiner

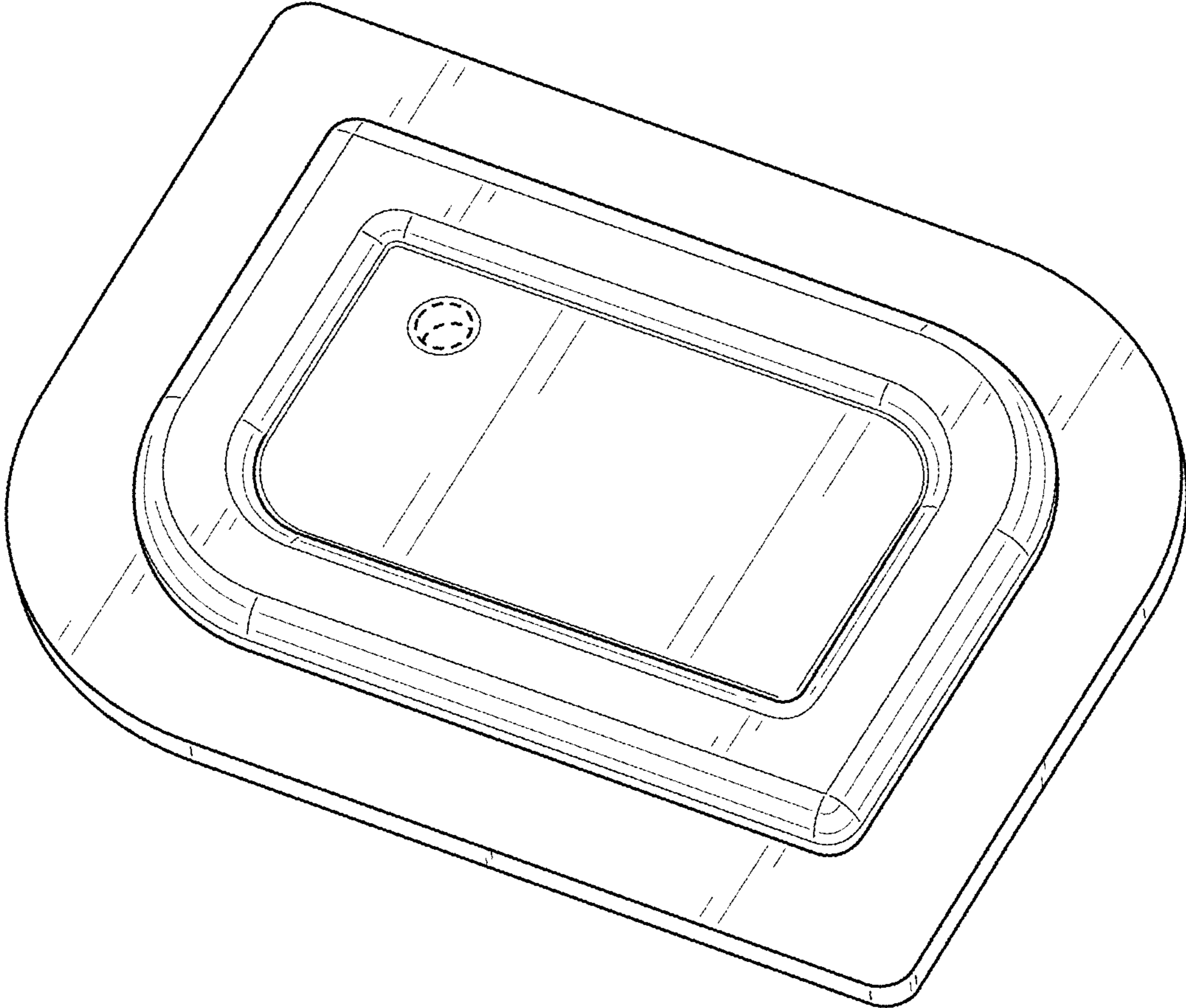


FIG. 1

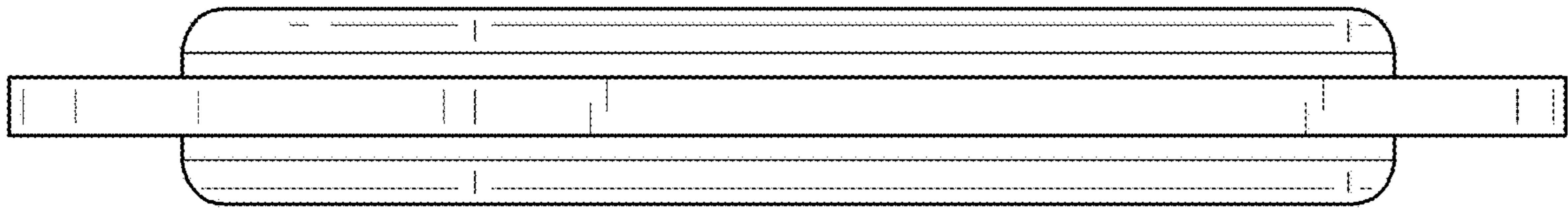


FIG. 2

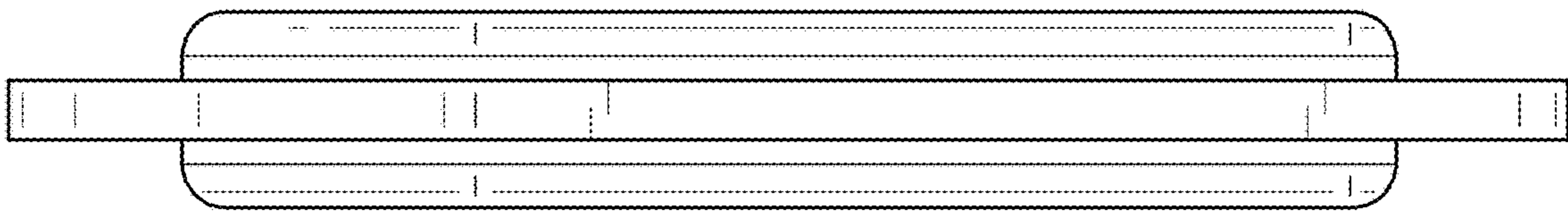


FIG. 3

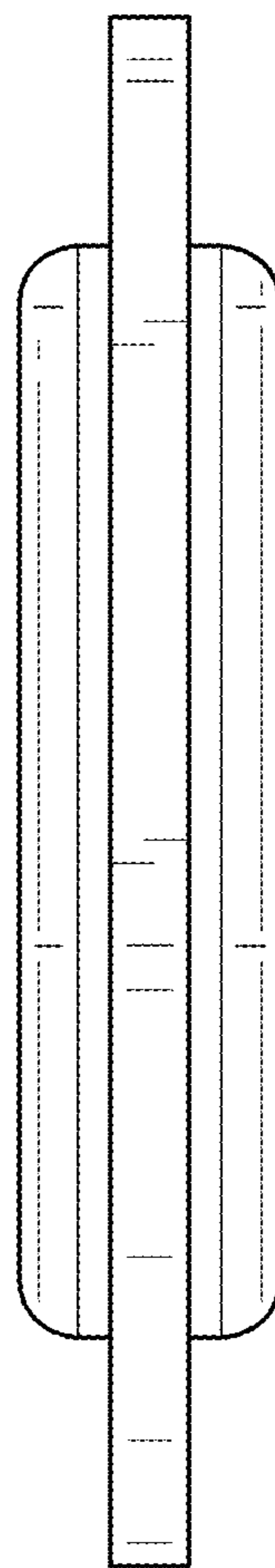


FIG. 4

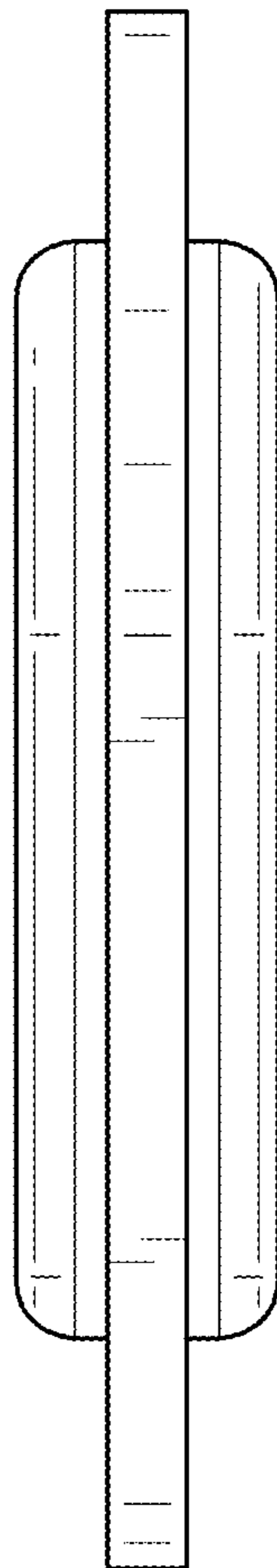


FIG. 5

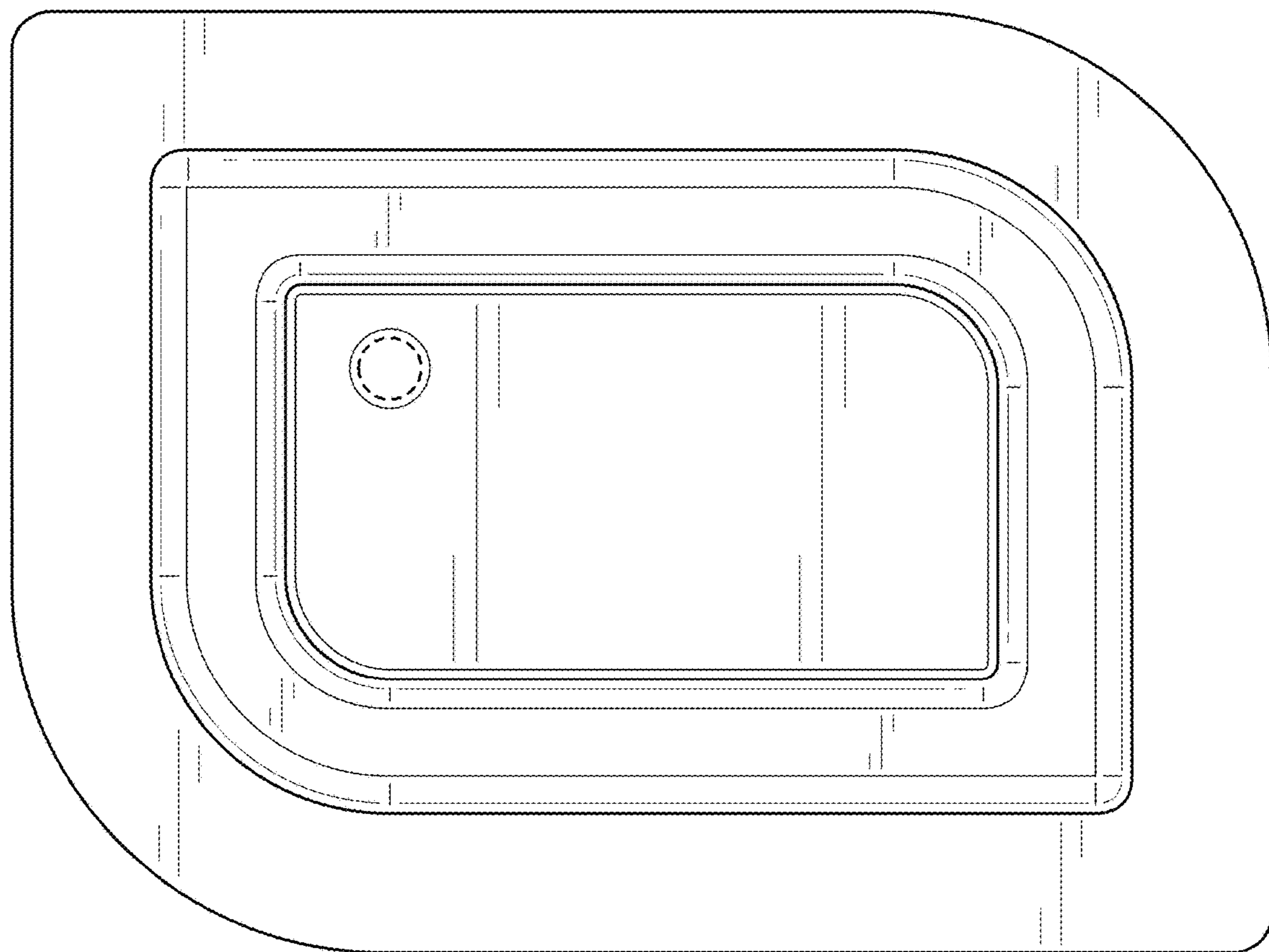


FIG. 6

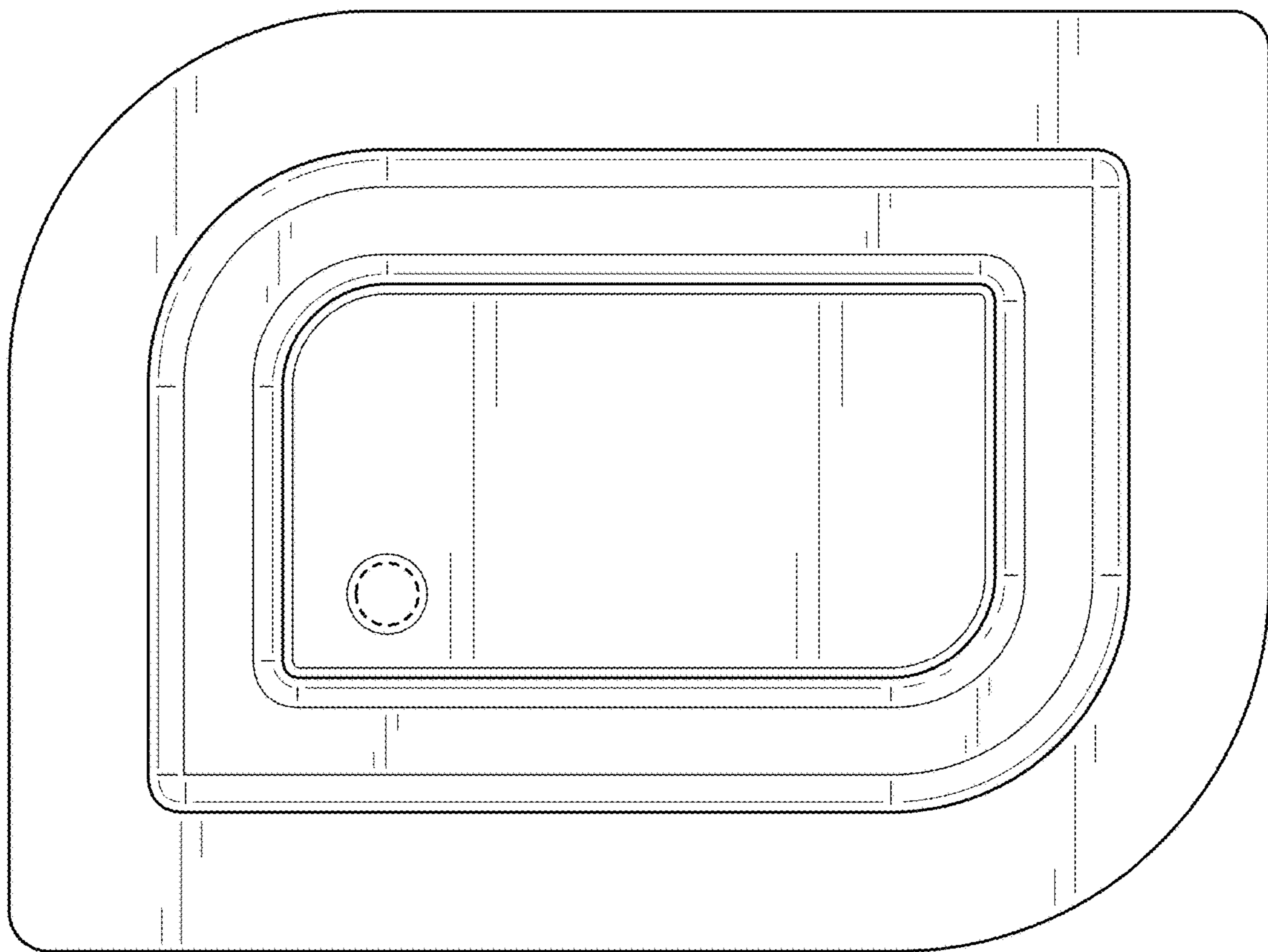


FIG. 7